

INSTRUCTION SHEET

Zippie Iris Hub Lock

1. Remove wheels from chair. Save quick release axles, discard wheels.
2. Remove axle bracket. Save bracket but discard nuts, washers, bolts, and large axle washer (not shown). Note which holes on the side rails brackets were installed in so they can be reinstalled in the same locations. See figures 1 & 2.
3. Reinstall axle bracket on the chair, with axle plate adapter, using new nuts, washers and longer bolts provided in kit (Do not use the large axle washer). Make sure axle bracket is installed in the same holes it was in when removed. Tighten securely. See figure 2.
4. Slide quick release axles saved from step one into the new wheel assemblies. Install wheels onto chair. See figure 2 for proper orientation.
5. Install clamp for handle at desired height on backpost with the handle on the inside. Tighten securely. See figure 3.
6. Adjust the cable tension so there is no play in the handle.
7. Repeat steps on opposite side.

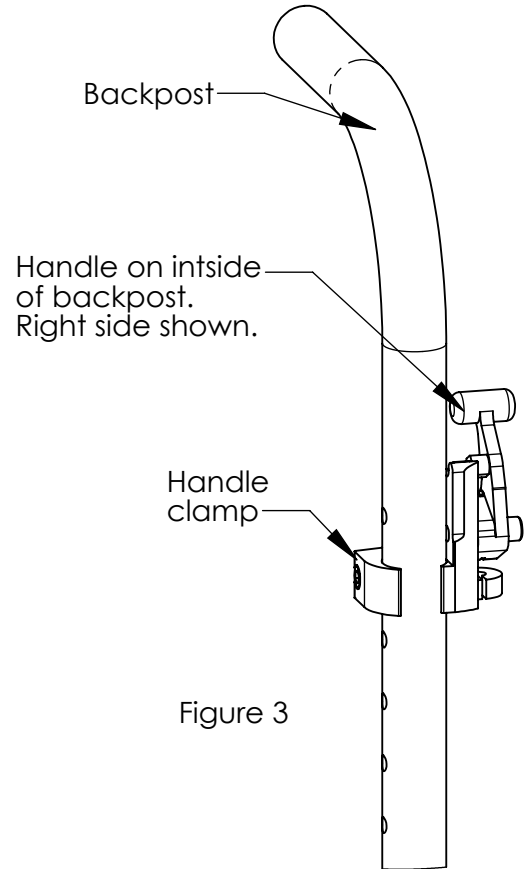


Figure 3

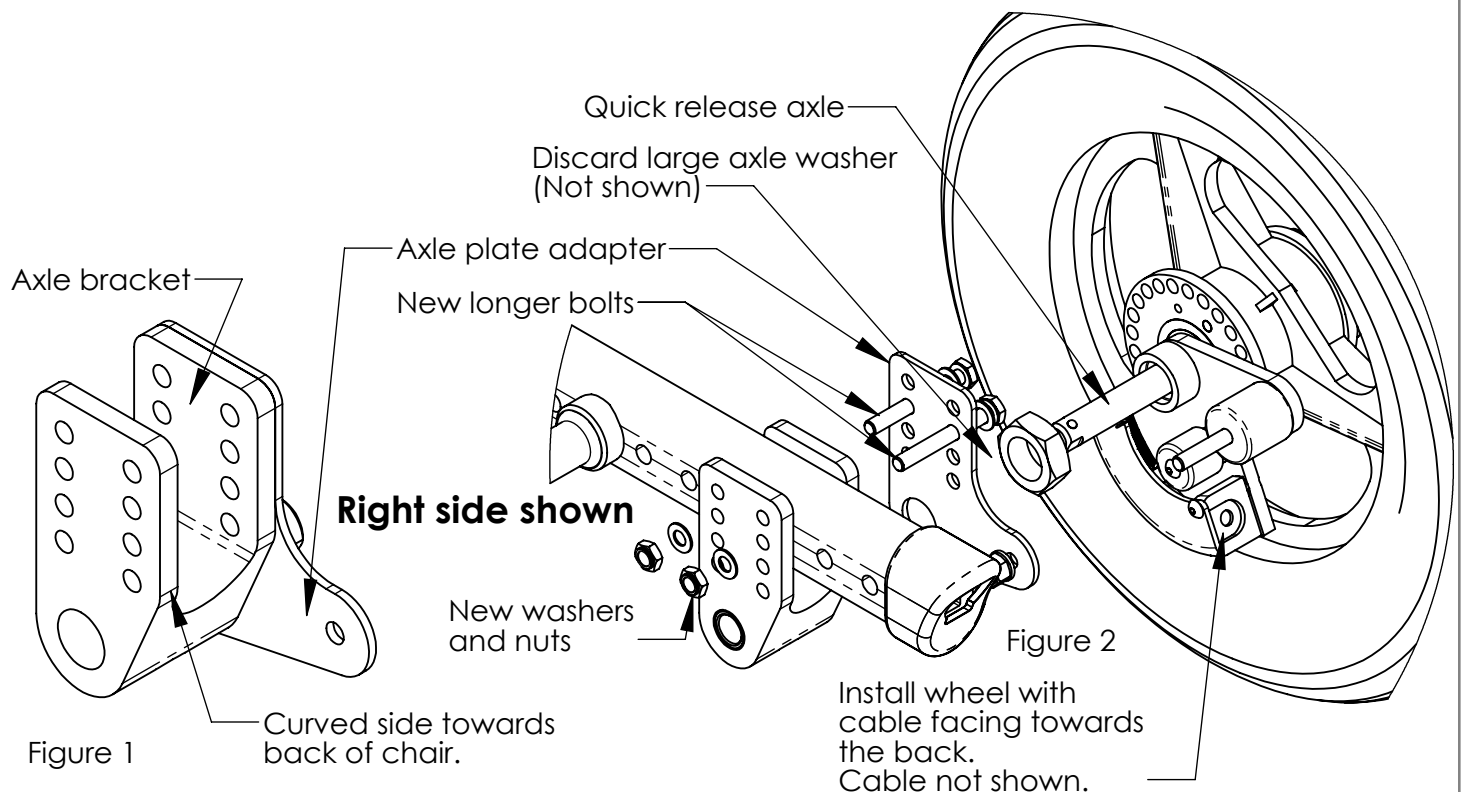


Figure 2

Figure 1

FOR DEALER USE Installed by: _____ Date: _____ (retain as record of installation)