

# INSTRUCTION SHEET

## Quickie LXI Transit Kit Installation

(Please read and understand instructions before beginning installation)

**Tools Required:**

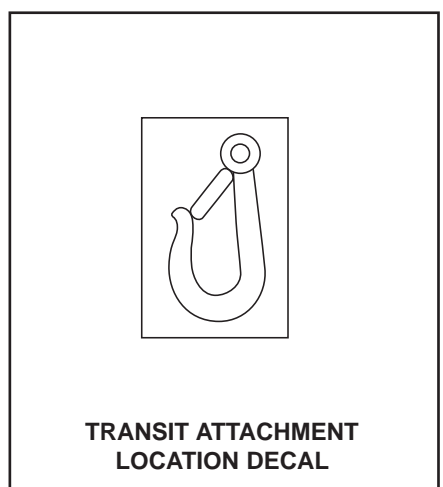
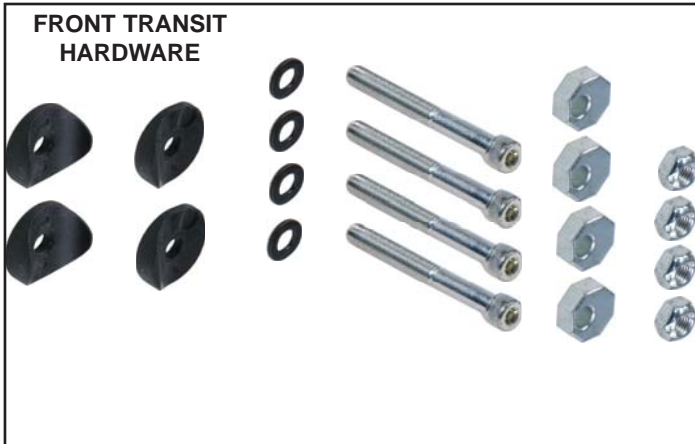
- 7/16" Socket & Ratchet
- 3/4" Socket
- 7/16" Wrench
- 5/8" Wrench
- 3/4" Wrench
- 3/16" Allen Wrench
- Torque Wrench



**FRONT TRANSIT  
BRACKET**



**REAR TRANSIT  
BRACKET**



**TRANSIT ATTACHMENT  
LOCATION DECAL**

# INSTRUCTION SHEET

## Quickie LXI Transit Kit Installation

### Install:

- 1) Use a flat blade screw driver to pry off the Caster Housing Cap(Fig 2.1)
- 2) Use a 3/4" wrench below and a 3/4" socket above to remove the top stem locknut(Fig 2.2)
- 3) Use a 5/8" wrench above and a 3/4" wrench below to remove the bottom stem locknut(Fig 2.3)
- 4) Replace the standard stem with the included transit stem of the same length.Refer to Fig 2.4 for proper hardware location.
- 5) Reinstall the bottom stem locknut first and tighten to 12-13 ft/lbs. slide this assembly up through the caster housing and tighten the top stem lock nut to 12-13 ft/lbs. Replace caster housing cap
- 6) Repeat on the opposite side.

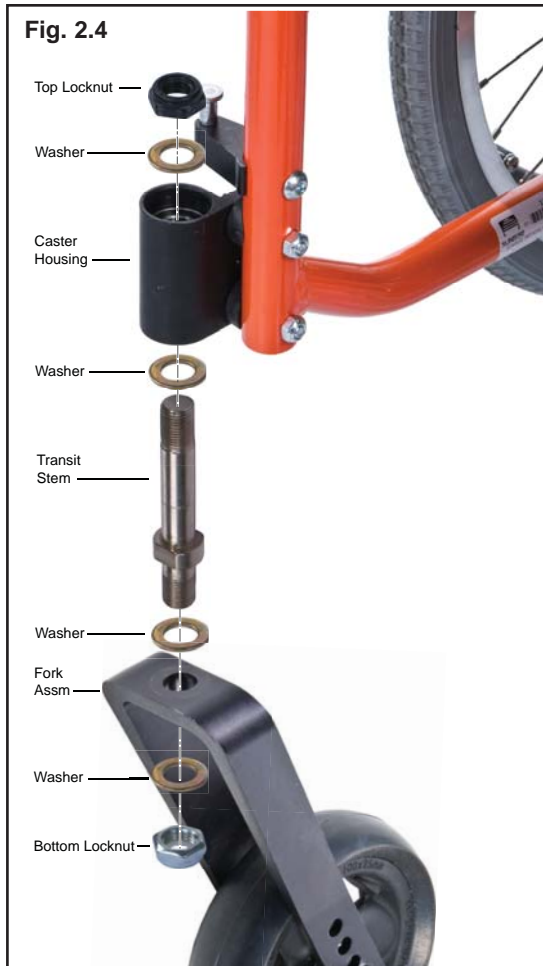
**Fig. 2.1**



**Fig. 2.2**



**Fig. 2.4**



**Fig. 2.3**

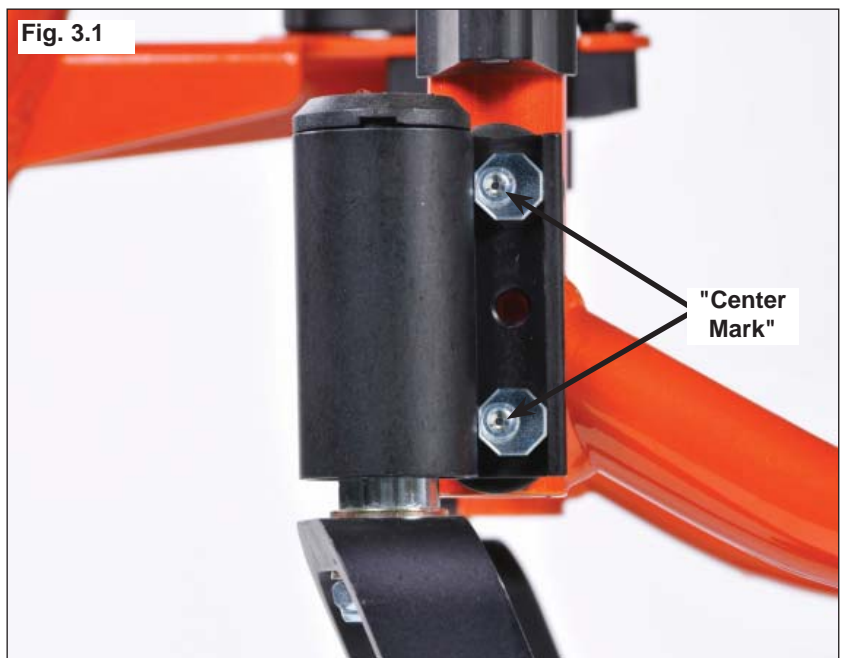


# INSTRUCTION SHEET

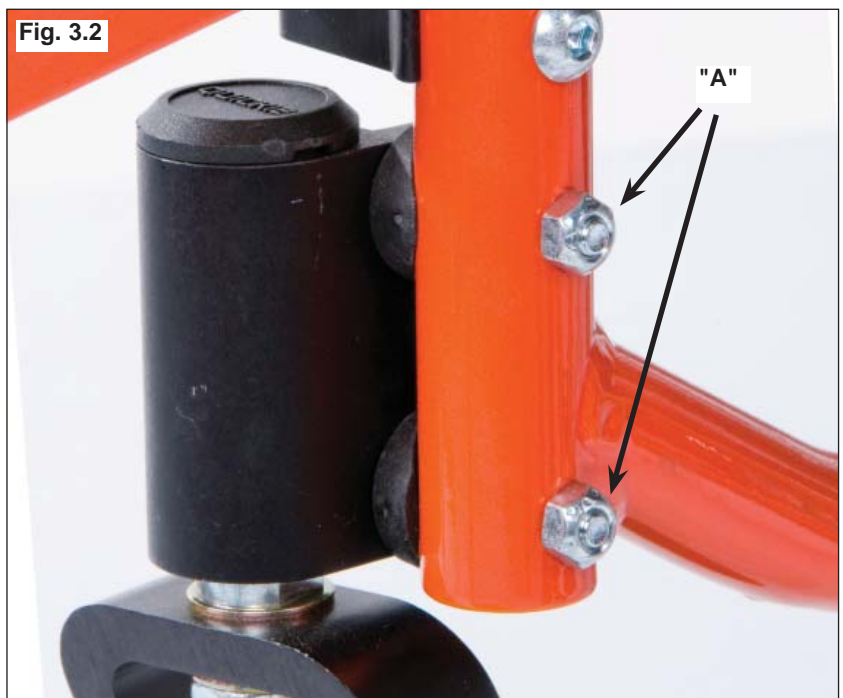
## Quickie LXI Transit Kit Installation

### Install Front Transit Bracket:

- 1) Note: record the orientation of the eccentric washers and the caster barrel (Fig. 3.1) before removing hardware to ensure proper installation in later steps.



- 2) Starting on the left side, use the 7/16" socket and ratchet, to remove the nuts ("A") that are holding the caster housing in place. (Fig 3.2)



# INSTRUCTION SHEET

## Quickie LXI Transit Kit Installation

3) Insert the two bolts and eccentric washer sets into the caster barrel and transit bracket. The caster barrel has a flat side, and on the other side, there is a cut out. The bolt and eccentric washer set must be inserted such that the eccentric washer comes to rest "within" the cut out section (Fig 4.1).

(Note: Place eccentric washer in same orientation as recorded in step 1.) Slide the full saddle on the top bolt and the half saddle on the bottom bolt.

Fig. 4.1



4) Slide the reinforcing plug up into the frame and align the through holes. (Fig 4.2)

Fig. 4.2



5) The bracket should be placed so that the transit bracket is facing toward the rear of the chair but the caster barrel can be "leading" (facing forward (Fig 4.3)) or "trailing" (facing rearward ( Fig 4.4)). The caster barrel should be reassembled the same way it was oriented in step 1.

Using a torque wrench tighten all nuts to 12 - 13 ft-lbs.

Fig. 4.3



Caster Barrel "Leading"

Fig. 4.4



Caster Barrel "Trailing"

6) Repeat for the right side



# INSTRUCTION SHEET

## Quickie LXI Transit Kit Installation

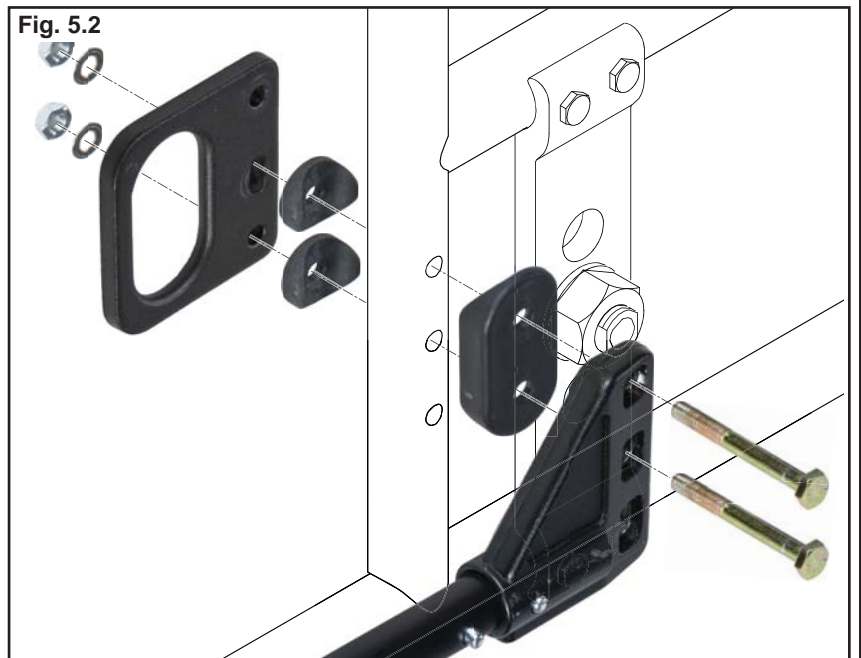
### Install Rear Transit Bracket:

- 1) Remove the Anti-tips if present.

Note: when using anti-tips with the transit brackets the anti tips must be mounted on the outside of the frame. On the chair with anti-tips mounted on the inside (Fig 5.1) when adding the transit brackets reinstall the right anti-tip mounting bracket to the left outside and the left anti-tip to the right outside.



- 2) Insert the hex bolt (Fig 5.2) through the anti tip (if applicable) so that the hex head is inside the recessed hole. Next add the half saddle (if applicable) then insert the bolts through the frame. With the bolts protruding on the inside of the frame slide the full saddles onto the end of the bolts followed by the transit bracket. Lastly install the washers and nuts and torque to 12-13 ft-lbs.



- 3) Repeat for the opposite side..

- 4) Add the Transit Mount Location Label to the front (Fig 5.3) and rear (Fig 5.4) transit brackets.

