



XTENDER KIT QUICKIE NITRUM/QUICKIE 7R/QUICKIE Q7



Please read these instructions carefully before beginning the assembly. Failure to understand and follow assembly instructions may result in injury to the technician and/or end user and may void the warranty. If you have any questions call Sunrise Medical Technical Support at (800) 333-4000.

Parts:

- | | |
|-----------------------------------|-----------------------------------|
| 1. Pin sleeve (x2) | 5. Socket head screws 5/8-in (x4) |
| 2. Axle clamp (x2) | 6. Clamp bracket (x2) |
| 3. Axle bracket (x2) | |
| 4. Socket head screws 1/2-in (x4) | |

Required tools:

1. 5mm hex key
2. Torque wrench

A. PRE-ASSEMBLY

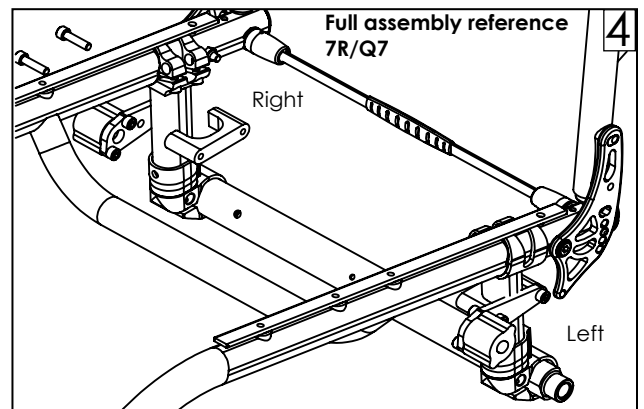
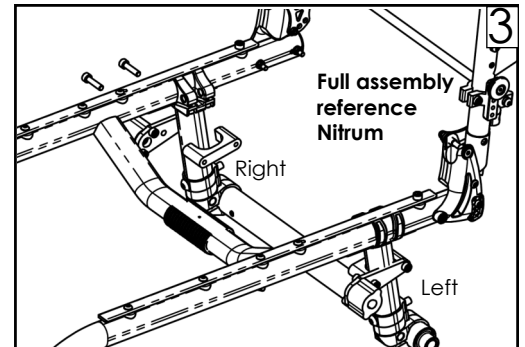
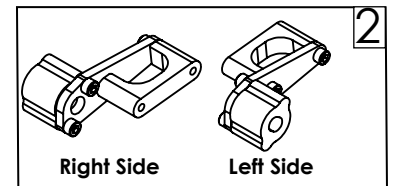
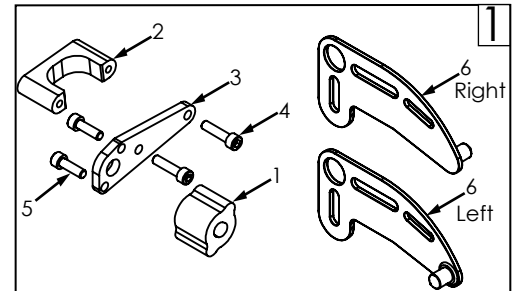
1. Prep the chair:

- Remove the wheels.
- Place the chair on a flat work surface or workbench for best assembly results.

B. XTENDER MOUNTING **1** **2** **3** **4**

1. Assembly of frame mounts:

- Using a 5mm hex key, assemble the pin sleeve (item 1) to the axle bracket (item 3) using the 1/2-in screws (item 4). Assemble both left and right assemblies and note orientation (Fig 2). Do not fully tighten until the mounting hardware is on the frame.
- Fit axle clamp (item 2) around frame axle. Attach assembly from step 1 to clamp using 5/8-in screws (item 4). Leave loose. See figures 3 and 4.



⚠ DEALER/TECHNICIAN WARNING

Attention dealers and qualified technicians, do not operate or service this device without first reading the owner's manual. If you do not understand the instructions and warnings in the owner's manual please contact the Quickie Technical Service Department before operating and/or servicing the Quickie device. Failure to do so may result in damage and/or injury. Find more information and important warnings in the Xtender owner's manual or at: www.SunriseMedical.com.

Sunrise Medical 2842 N. Business Park Ave Fresno, CA 93727 USA



Customer Service: +1(800) 333-4000
or visit www.SunriseMedical.com

© 2022 Sunrise Medical (US) LLC
06/2022 243956 Rev.B Page 1 of 2

C. CLAMP BRACKET 5 6

1. Assembly of wheels:

- a. Attach clamp brackets to wheels. See figure 5 (left wheel) and figure 6 (right wheel).

D. XTENDER WHEELS 7 8

1. Attach wheels:

- a. Lift lever on Xtender wheel and slide axle into chair axle.
- b. Ensure that clamp bracket pin is engaged into pin sleeve.
- c. Tighten hardware enough so it cannot move. Remove wheel.
- d. Torque hardware to 9.14 Nm [30 ft-lbs].



⚠ WARNING

Attention dealers and qualified technicians, ensure that the mounted axle plate provides the same seat to floor height as the original approved setup.

E. INSPECT

1. Double-check orientation and torque on all hardware:

- a. Axle detent balls are fully extended.
- b. Clamp bracket pin is fully engaged into pin sleeve.
- c. Check that the chair rolls smoothly and evenly.
- d. Check that axles have been mounted evenly from side to side.
- e. Use a torque wrench and socket wrench to check all hardware for correct torque.
- f. See Yamaha owner's manual for additional information.

