

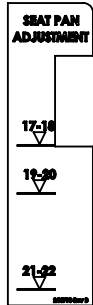


# DECAL LOCATIONS/DEPTH ADJUSTMENT INSTRUCTIONS LIFT/TILT COMBO QM-7



Please read these instructions carefully before beginning the installation. Failure to understand and follow installation instructions may result in injury to installer and/or end user and may void the warranty. If you have any questions call Sunrise Medical Technical support at 800-333-4000.

## DECALS



Decal 1  
Black Qty-1



Decal 2  
Black Qty-1

**SEAT DEPTH ADJUSTMENT WARNING!**  
After adjusting the seat depth on the SEDEO ERGO rails to the desired position, make sure seat pan position matches the seat rail position by aligning the arrows

244800 Rev A

Decal 3 Yellow Qty-1

### A. DECAL INSTALLATION

1. Attach decals in locations shown on right:
  - a. If changing from a Tilt to Lift/Tilt combo decals can be placed on top of any existing decals.



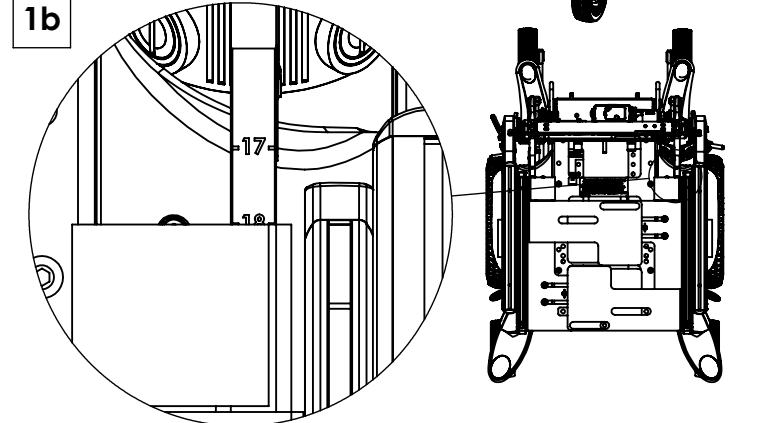
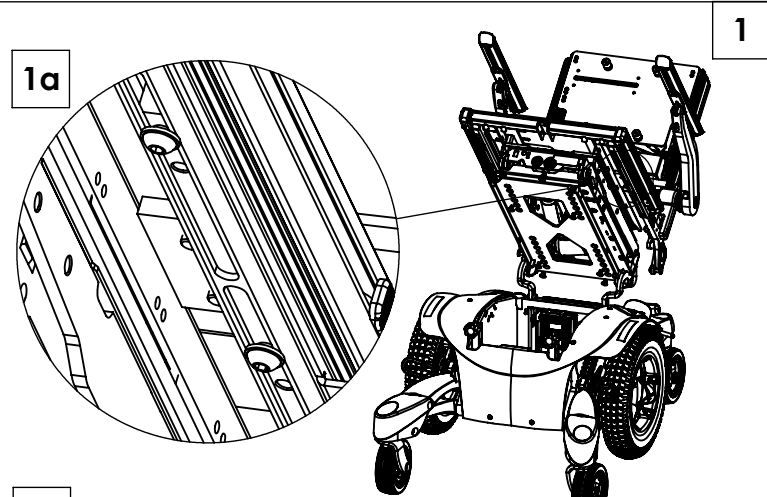
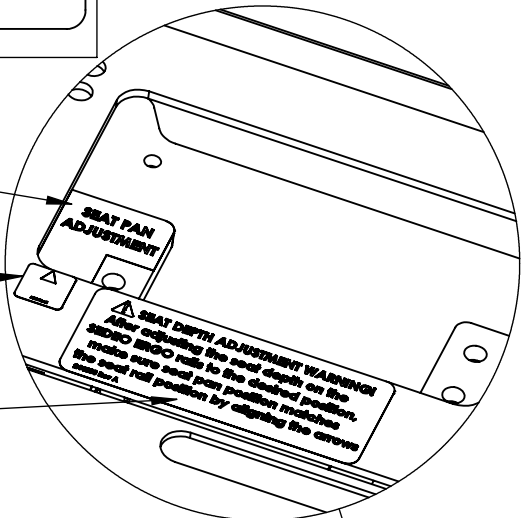
#### WARNING

Correct placement of decals is critical for correct seat depth alignment. Exception-decal 3.

Decal 1  
Line-up top  
and right  
edges

Decal 2  
Line-up top  
and left  
edges

Decal 3  
Line-up  
top edge



### B. DEPTH ADJUSTMENT PREPARATION

1. Note current depth and determine which depth is desired.
2. For replacement of old adapter, make sure module to interface is at position 4 for tilt, position 2 for tilt/lift combo and request a new subset file.

### C. DEPTH ADJUSTMENT SEAT PAN

1. Using a 5mm hex key loosen the 4 bolts on the bottom sides of the chair. Figure 1a
2. Slide seat to desired depth. Depth is indicated on rail, Figure 1b.
3. Tighten bolts to 133in-lbs .



**D. DEPTH ADJUSTMENT COMPONENTS**

1. Note desired depth on chart, Figure 2.
2. Using the 5mm hex key remove the 4 bolts on the top of the seat pan and reposition to proper holes indicated on the chart.
3. Once front position is made the back holes will line up to the proper position.

**E. DECAL ALIGNMENT**

1. After adjustments are made ensure that the arrow on red decal 2 lines up to the proper seat depth on corresponding decal 1.

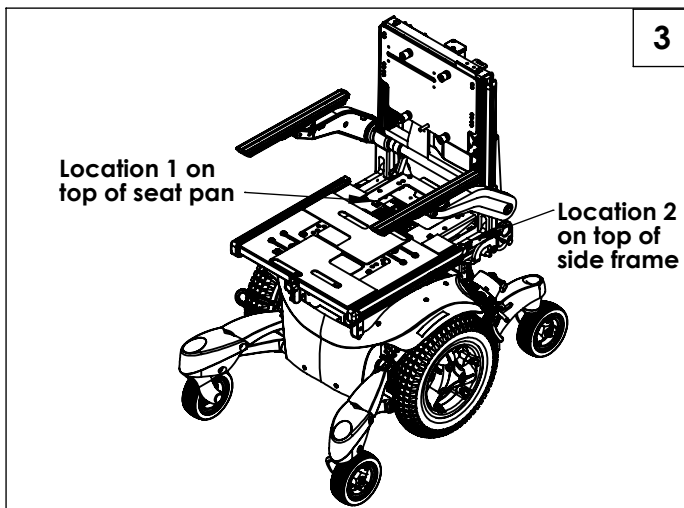
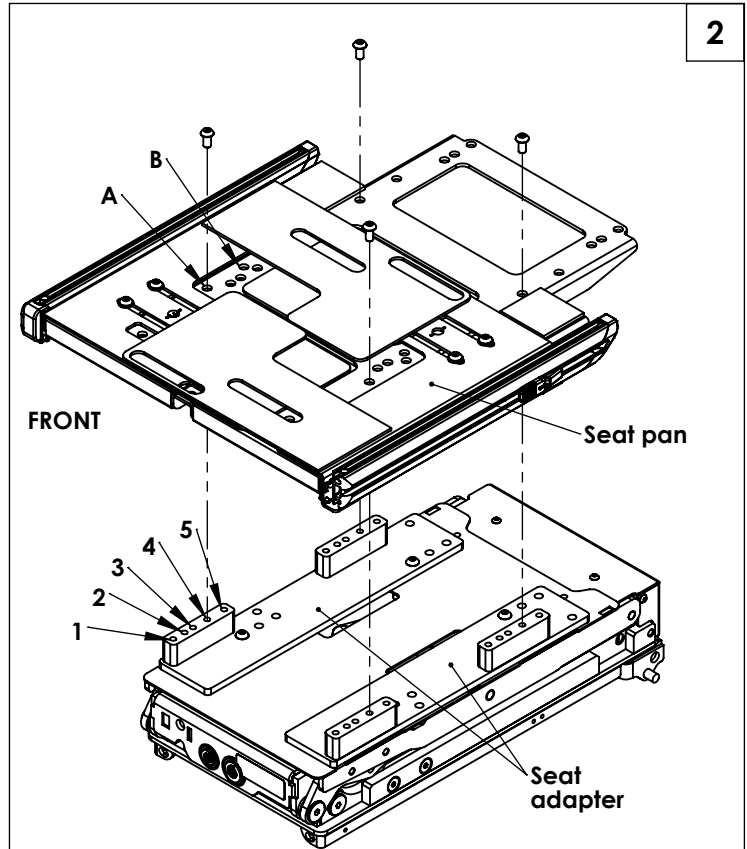


**WARNING**

Check decal and frame depth locations, Figure 3 & 3a. They should BOTH line up to the same seat depth. If they do not make necessary adjustments.

**F. FINAL ADJUSTMENTS**

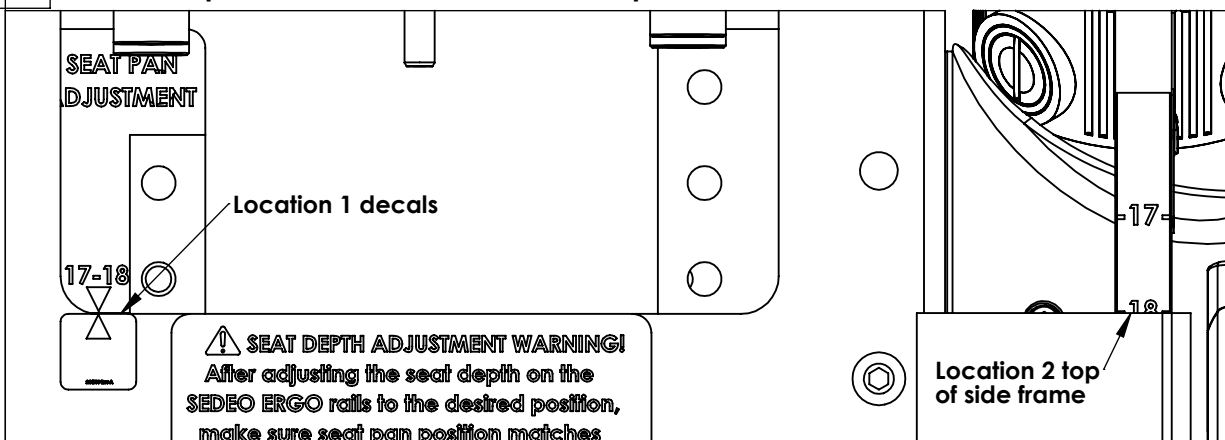
1. Once all alignments are confirmed ensure that all bolts are tightened to 133 in-lbs.



**EXAMPLE:**  
For 18" seat depth-  
1. "A" on the seat pan  
will line up to "4" on  
the Adapter

Seat Depth	Seat Pan to Adapter
17"	A-4
18"	A-4
19"	A-2
20"	A-2
21"	B-3
22"	B-3

**3a** Example shown is for an 18" seat depth



Sunrise Medical 2842 Business Park Ave Fresno, CA 93727 USA  
In Canada (800) 263-3390