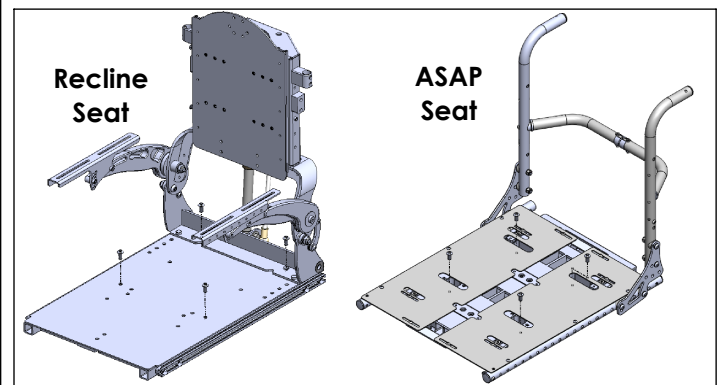
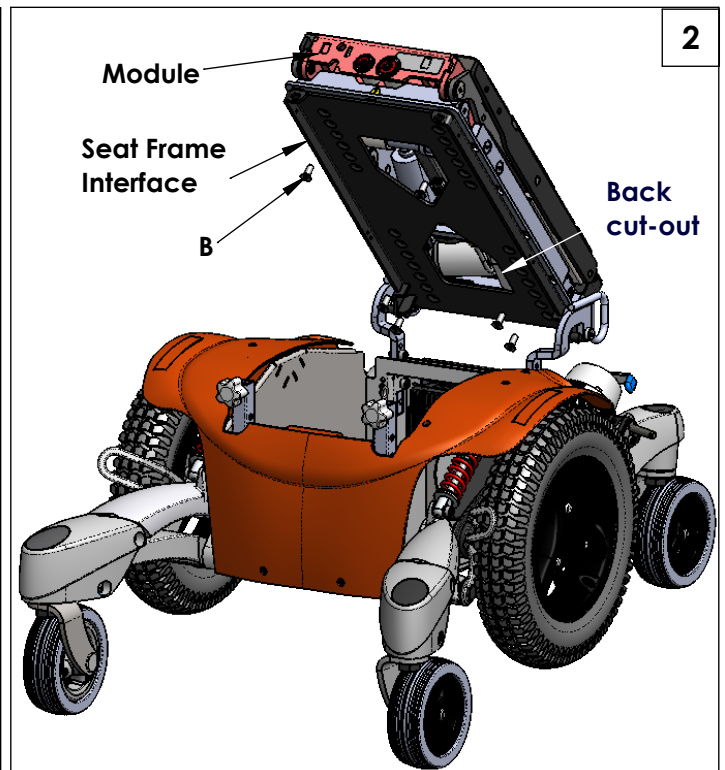
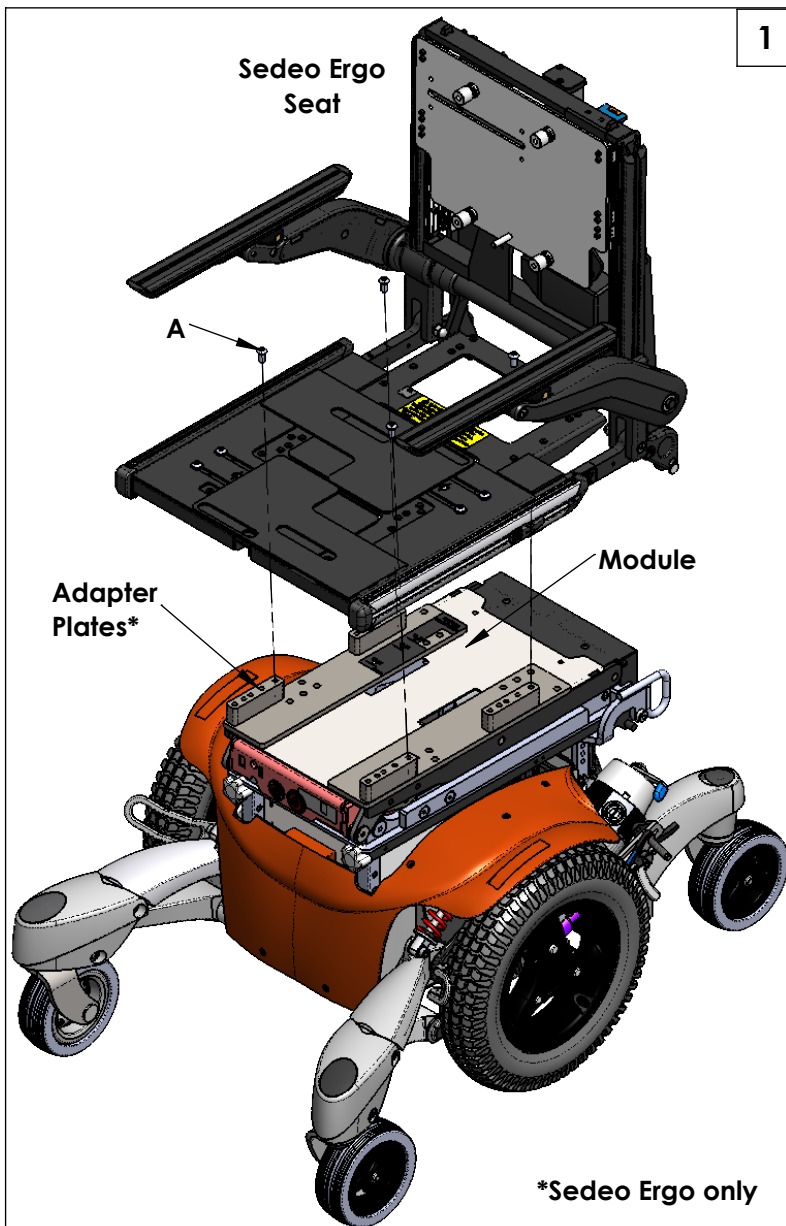




Please read these instructions carefully before beginning the installation. Failure to understand and follow installation instructions may result in injury to installer and/or end user and may void the warranty. If you have any questions call Sunrise Medical Technical support at 800-333-4000.

A. Preparing for installation:

1. Remove the seat cushion. Remove the 4 screws (A) holding the seat to the adapter plates or module. Note mounting position on the adapter plates or module. (Fig 1) Set seat and hardware aside.
2. Remove adapter plates from the module (if required). Note mounting position, save hardware. (Fig 1)
3. Flip the seat frame interface back. Disconnect module harness from base and then remove the 6 screws (B) holding the module to the seat frame interface. Note mounting position, save hardware. (Fig 2)



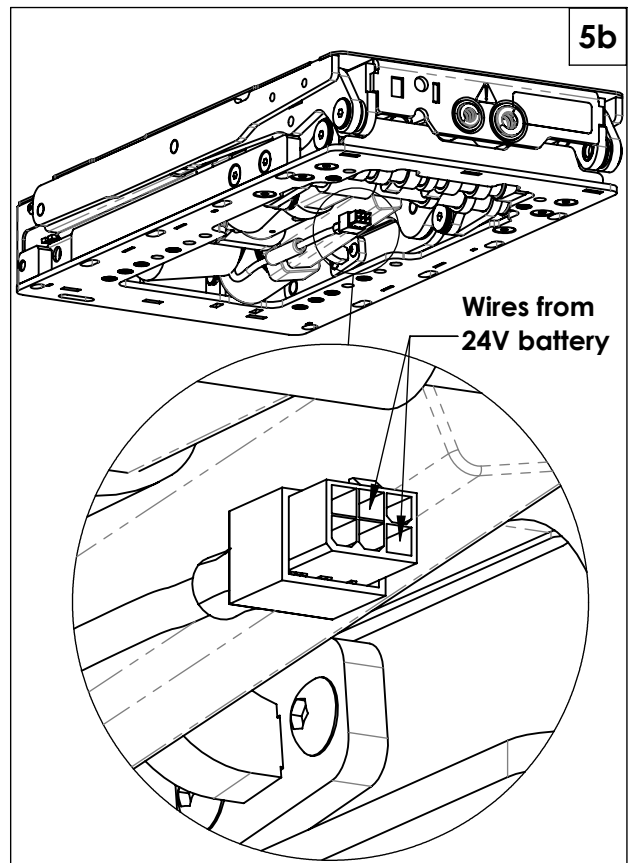
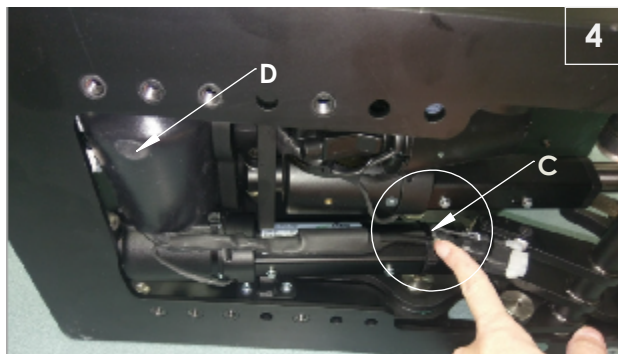
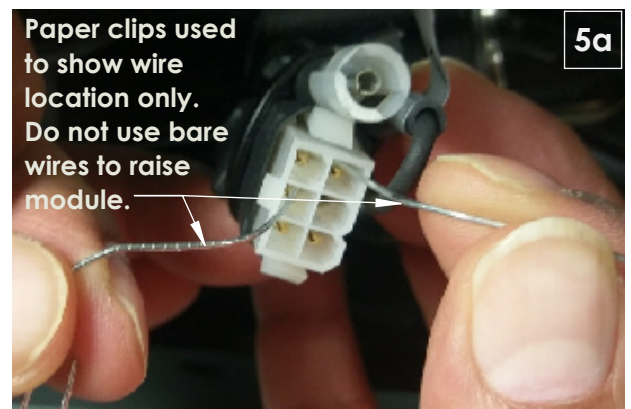
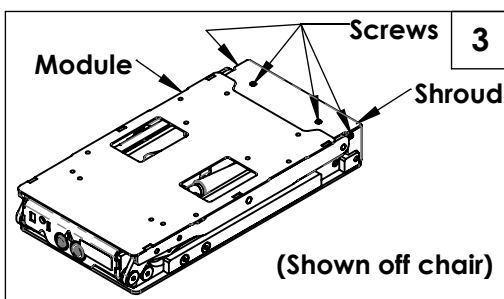
B. Installing the Lift/Tilt Module and Harness:

1. In order to install harnesses the module needs to be raised to its fullest height. First, remove the shroud from the new module. (Fig 3)
2. Cut zip tie holding the actuator harness (C). (Fig 4) Also remove black boot (D).
3. To raise the module run power directly from a 24 volt battery to the actuator harness. (Figs 5a and 5b)

⚠ WARNING

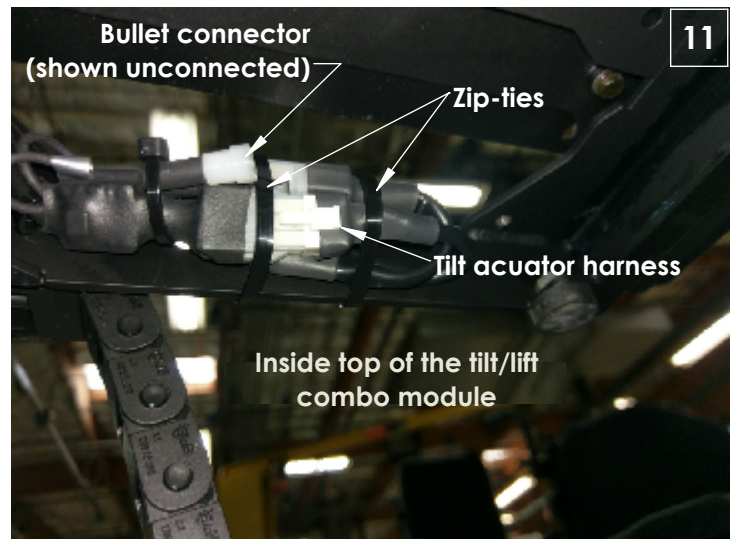
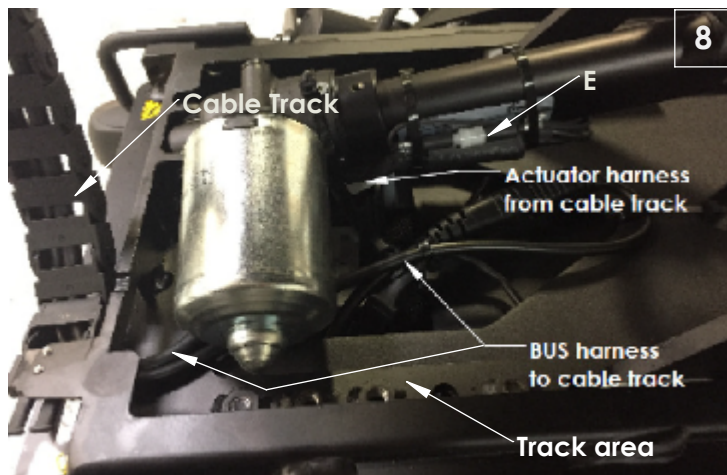
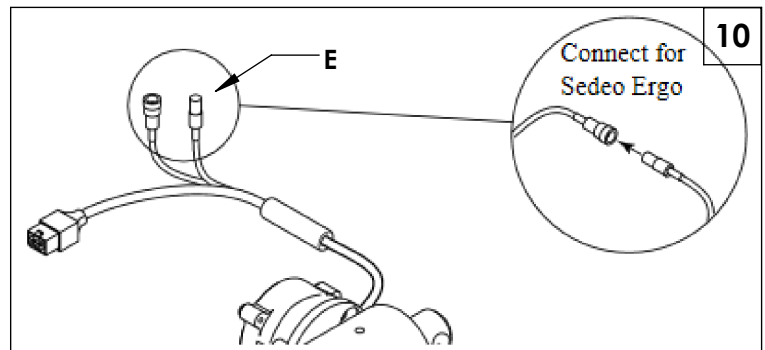
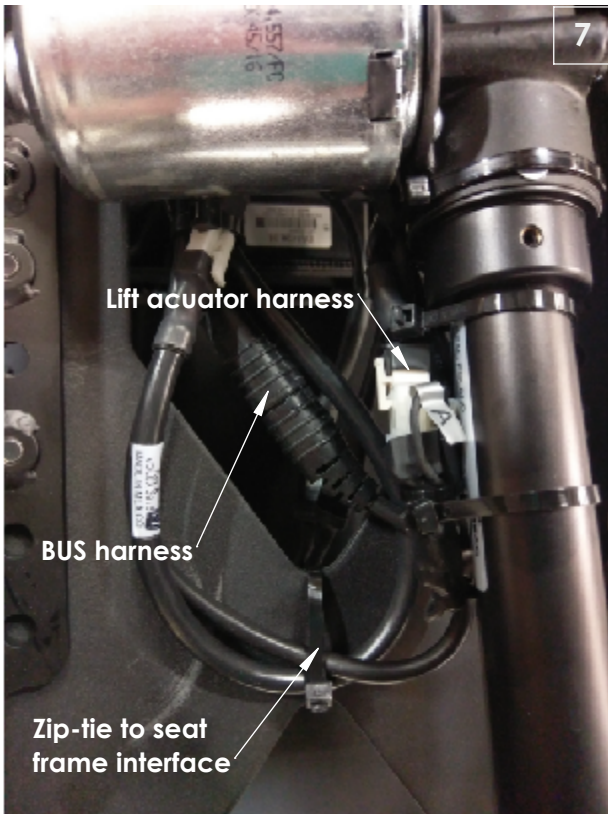
To avoid electrical shock do use or touch bare wires.

4. Track comes prewired with BUS harness on the right and the actuator harness on the left. (Fig 6)
5. Install the new module to the seat frame interface using the 6 screws saved from step 3 making sure to install it in the same position. (Fig 2) Flip seat interface down.
6. Install the adaptor plates to the top of the lift/tilt module in the same position it was in (if required). (Fig 1)
7. Reinstall the seat to the adapter plates or the the top of the module, again making sure it is in the same mounting holes as it was previously. (Fig 1)



B. Installing the Lift/Tilt Module and Harness (continued):

- 8. Track needs to be routed under lift actuator motor to ensure cables do not get pinched.
- 9. BUS harness from the base must be placed to the side of the actuator to avoid interference with the interface and cross brace. The connector should be above the ferrite. (Fig 8) Ensure that there are no harnesses in the track area. Bullet connection (E) is only plugged in for Sedeo Ergo. It should be left unplugged for standard Lift/Tilt or Lift/Tilt on the 3.7 recline. (Figs 8, 9, 10, & 11)
- 10. Run bus harness up through back cut-out in the seat frame interface. (Fig 2) Zip tie the BUS harness to the other wires and to the seat frame interface. (Fig 7)
- 11. Zip-tie harnesses to side of seat frame interface. Do not kink wires (minimum harness bend radius is 1/2"). (Fig 11)
- 12. Replace shroud after routing. (Fig 3)



C. Inspect

1. Torque all seat/module mounting hardware to 120 in-lbs.
2. Raise and lower seat to ensure all wire harnesses are out of the way and are not getting pinched.
3. Raise and lower seat to verify that harnesses are not put under tension in any position.
4. Ensure that zip-ties are not so tight that they deform cable jackets.
5. Where possible cables should be protected and hidden by shrouds.
6. Multiple cables that run between chair components, such as the base and seat, should be covered by spiral wrap.

DEALER/TECHNICIAN WARNING

Attention dealers and qualified technicians, do not operate or service this device without first reading the owners manual. If you do not understand the instructions and warnings in the owners manual please contact the Quickie Technical Service Department before operating and/or servicing the Quickie device. Failure to do so may result in damage and/or injury.

IMPORTANT– Please see the chair owner's manual for additional warnings and information. You can see the chair's owner's manual at: www.Sunrisemedical.com.

**Sunrise Medical 2842 Business Park Ave Fresno, CA 93727 USA
In Canada (800) 263-3390**