



Q7ME PERFORMANCE SPRING INSTALLATION INSTRUCTIONS



Please read these instructions carefully before beginning the installation. Failure to understand and follow installation instructions may result in injury to installer and/or end user and may void the warranty. If you have any questions call Sunrise Medical Technical support at 800-333-4000.

NOTE- Some parts are not shown in the drawings for clarity.

A. PRE-INSTALLATION 1 2

1. Remove spring:

- Using the 16mm socket wrench, remove drive wheels (A). Set wheels and lug nuts (B) aside, Fig 1.
- Use the 13mm crescent wrench to remove Nylock nut (D) from performance spring (E) first, then use the 6mm hex key to remove the M8 bolts (C), Fig 2. Discard hardware.

B. INSTALLING NEW PERFORMANCE SPRING 2 3 4

Note- If you are adding springs to a chair that does not already have them be sure to install springs on both sides.
Note- Red spring is a standard spring. Black spring is a light spring. Ensure that your springs match.

1. Assembly of performance spring:

- Attach the new spring to the mounting holes.
Note- Ensure that the serrated nut end is up, Fig 3.
- Install new M8 bolts (C) into spring, then install nut (D) tighten both M8 bolts to 10-11 ft-lbs (13.6-14.9Nm), Fig 2.
- Screw down the serrated nut on the performance spring (E). Spring should be compressed to 116 +/-1mm, Fig 3 & 4. Repeat on opposite side.
- Replace drive wheels, torque lug nuts to 25 ft-lbs +2/-0 (33.9Nm).



C. INSPECT

- Performance spring is oriented in the correct direction.
- All hardware has the correct torque.



DEALER/TECHNICIAN WARNING



WARNING

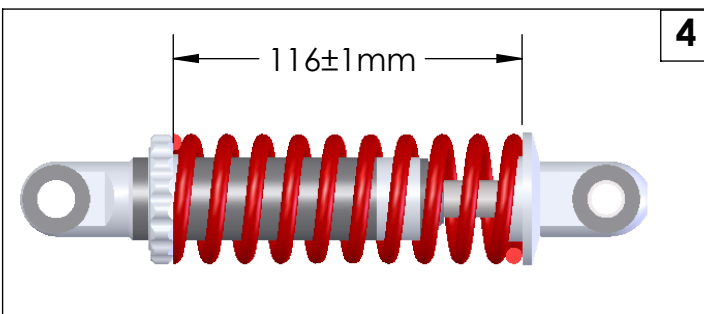
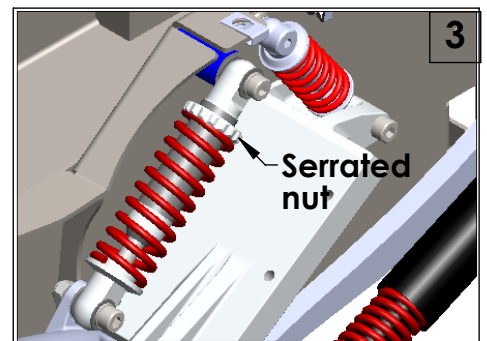
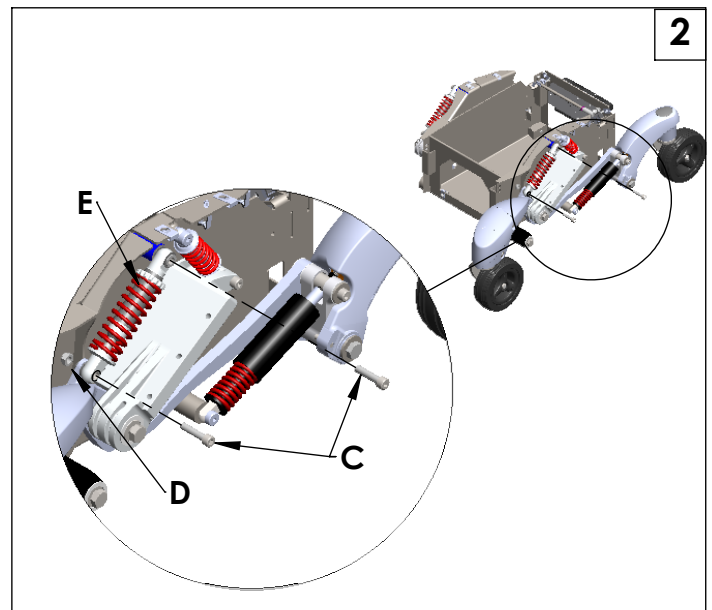
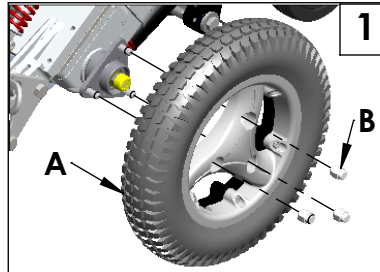
Attention dealers and qualified technicians, do not operate or service this device without first reading the owners manual. If you do not understand the instructions and warnings in the owners manual please contact the Sunrise Technical Support Department before operating and/or servicing the Quickie device. Failure to do so may result in damage and/or injury.

Performance spring kit (two kits required):

- 1 ea Front shock (spring)
- 2 ea M8 x 1.25 x 35 bolts
- 1 ea Nylock nut

Tools needed for assembly:

1. 6mm hex key
2. Torque wrench
3. 13mm crescent wrench
4. 16mm socket wrench



Sunrise Medical 2842 N. Business Park Ave Fresno, CA 93727 USA
In Canada (800) 263-3390



Customer service: 800.333.4000
or visit www.SunriseMedical.com

©2018 Sunrise Medical (US) LLC
5/18 248014 Rev. A