



Please read these instructions carefully before beginning the installation. Failure to understand and follow installation instructions may result in injury to installer and/or end user and may void the warranty. If you have any questions call Sunrise Medical Technical Support at 800-333-4000.

Parts:

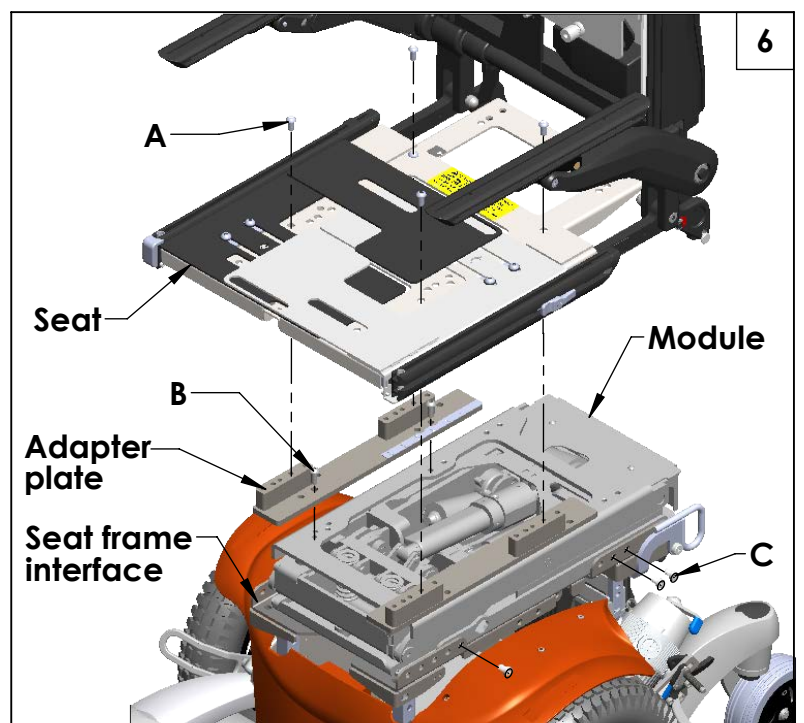
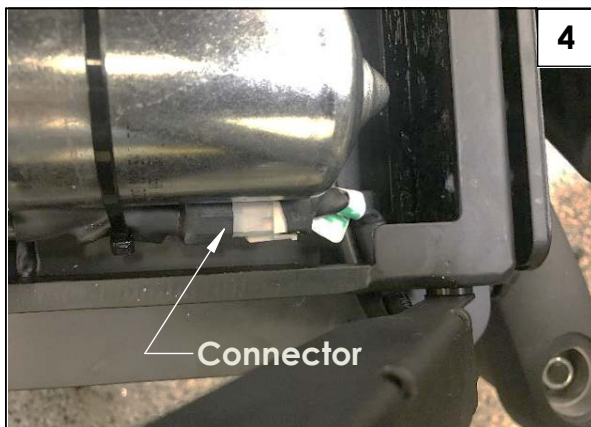
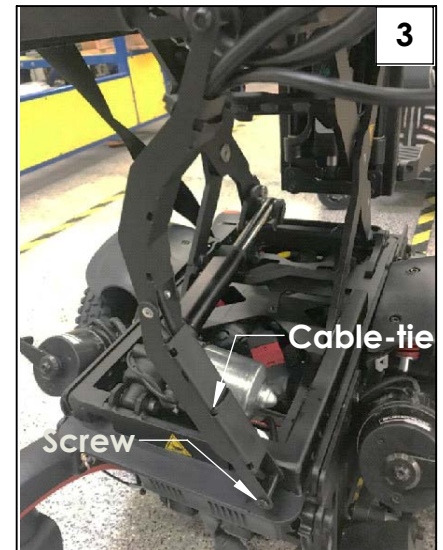
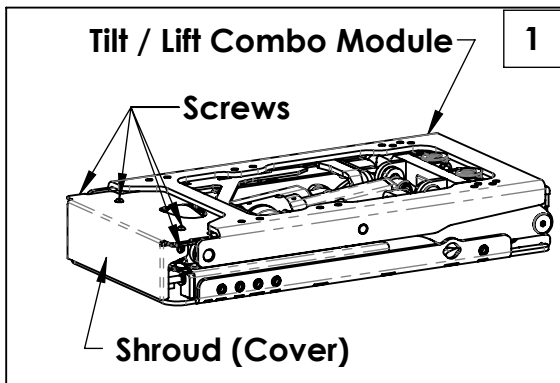
1. Tilt / Lift Combo Module

Tools Needed:






- | | |
|----------------|------------------|
| 1. 3mm Hex key | 3. Torque wrench |
| 2. 5mm Hex key | 4. Wire cutter |

A. Preparing for installation: 1 2 3 4 5 6

1. Remove the seat cushion.
2. Remove the combo module's shroud, Fig 1. (Use 3mm hex key)
3. Remove the spiral wrap and disconnect the bus connector, Fig 2.
4. Remove the cable track by removing the screw (Fig 3) and then disconnect tilt and combo connectors, Figs 4 & 5. (Use 3mm hex key)
5. Cut the cable-tie with the wire cutter and remove the harness from the cable track, Fig 3.
6. Remove the 4 screws (A) holding the seat to the adapter plates and the 4 screws (B) holding the adapter plates to the module. (Use 5mm hex key) Note the mounting positions on the adapter plates and or the module, Fig 6. Set seat and hardware aside.
7. Remove the 6 screws (C) holding the tilt/lift module to the seat frame interface. (Use 5mm hex key) Note position and save hardware.

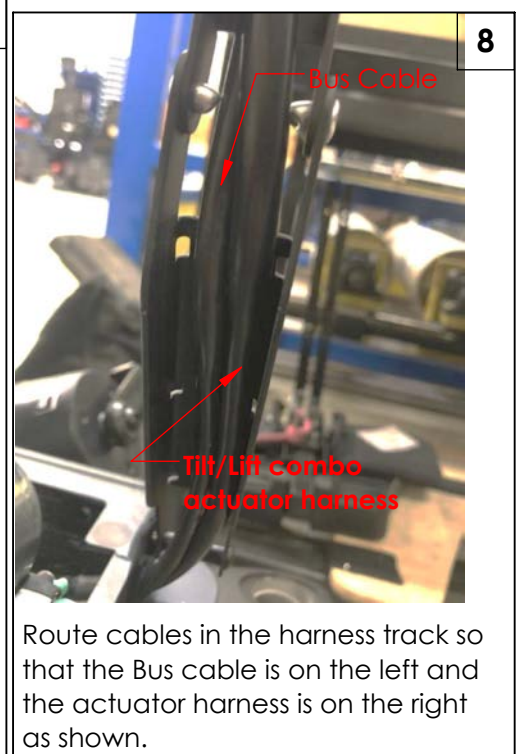
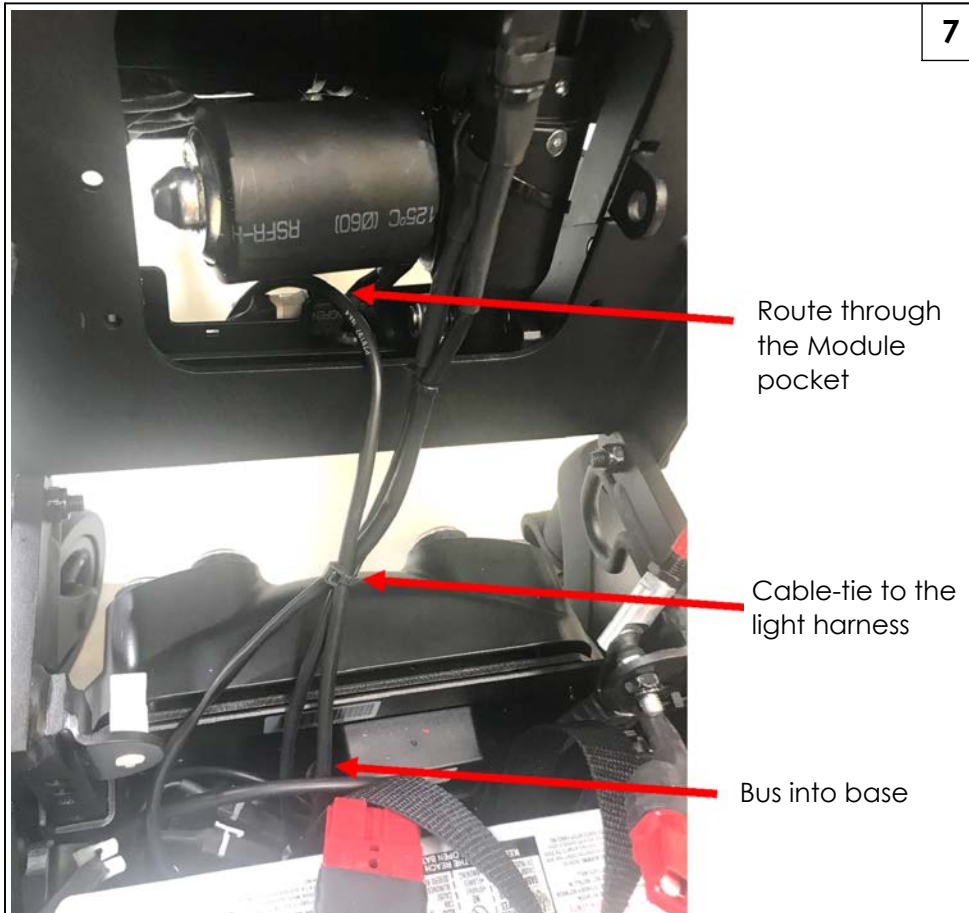


B. Installing the Lift/Tilt Module and Harness: 1 3 4 5 6 7 9 10 11 12

1. For the new tilt/lift module, remove the cover and cable track, Fig 1 & 3. (Use 3mm hex key)
2. Feed the bus harness through the bottom of the module to the rear opening of the module when sitting down the module on the interface, Fig 7.
3. Install the new tilt/lift module to the seat frame interface with the 6 screws (C) in the same position, Fig 6.  (Use 5mm hex key) Torque to 120-132 in-lbs (13.6-14.9Nm).
4. Install the seat adapter plates, use 4 screws (B) on the new tilt/lift combo in the same positions Fig 6.  (Use 5mm hex key) Torque to 120-132 in-lbs (13.6-14.9Nm).
5. Install the seat to the adapter plate the with 4 screws (A), Fig 6. (Use 5mm hex key) Torque to 120-132 in-lbs (13.6-14.9Nm). 
6. Connect the bus connector and the lift connector, then lift the module, Fig 4 & 5.
7. Install the cable track and reroute the bus harness and combo harness through the track and cable-tie them in place, Fig 9 - 12. 
8. Install the cover back on, Fig 1. (Use 3mm hex key) Torque to 27-32 in-lbs (3.1-3.6Nm). 

 **WARNING**

To avoid electrical shock do use or touch bare wires.



9



Cable-tie Tilt harness to cable track as shown

10



Cable- tie Tilt connector through hole on the Tilt Lift Combo Note: ensure that the connector is placed so that the short side of the connector will be parallel to the top of the module

Route Tilt Lead through the hole and then underneath the harness track pivot as shown. Route the bus cable and other lead of the Tilt Lift Combo under the harness track pivot also.

11



Cable-tie Tilt/ Lift Combo harness with controller harness and any other harness from components with cable-tie through holes on controller bracket.

Wrap Tilt/ Lift Combo harness with harness to Controller Module with spiral wrap. Stop wrap on controller harness at connector.

Route Tilt/ Lift Combo harness out of module.

12



Make sure there is enough of a service loop before the shroud. The connectors to the controller module should be completely exposed when the shroud is installed.

C. Inspect



1. Check that all hardware has the correct torque value.
2. Raise and lower seat to ensure all wire harnesses are out of the way and are not getting pinched.
3. Raise and lower seat to verify that harnesses are not put under tension in any position.
4. Ensure that cable-ties are not so tight that they deform cable jackets.
5. Where possible cables should be protected and hidden by shrouds.
6. Multiple cables that run between chair components, such as the base and seat, should be covered by spiral wrap.

DEALER/TECHNICIAN WARNING

WARNING

Attention dealers and qualified technicians, do not operate or service this device without first reading the owners manual. If you do not understand the instructions and warnings in the owners manual please contact the Sunrise Technical Service Department before operating and/or servicing the device. Failure to do so may result in damage and/or injury.

IMPORTANT- Please see the chair owner's manual for additional warnings and information. You can see the chair's owner's manual at: www.Sunrisemedical.com.

Sunrise Medical 2842 Business Park Ave Fresno, CA 93727 USA
In Canada (800) 263-3390