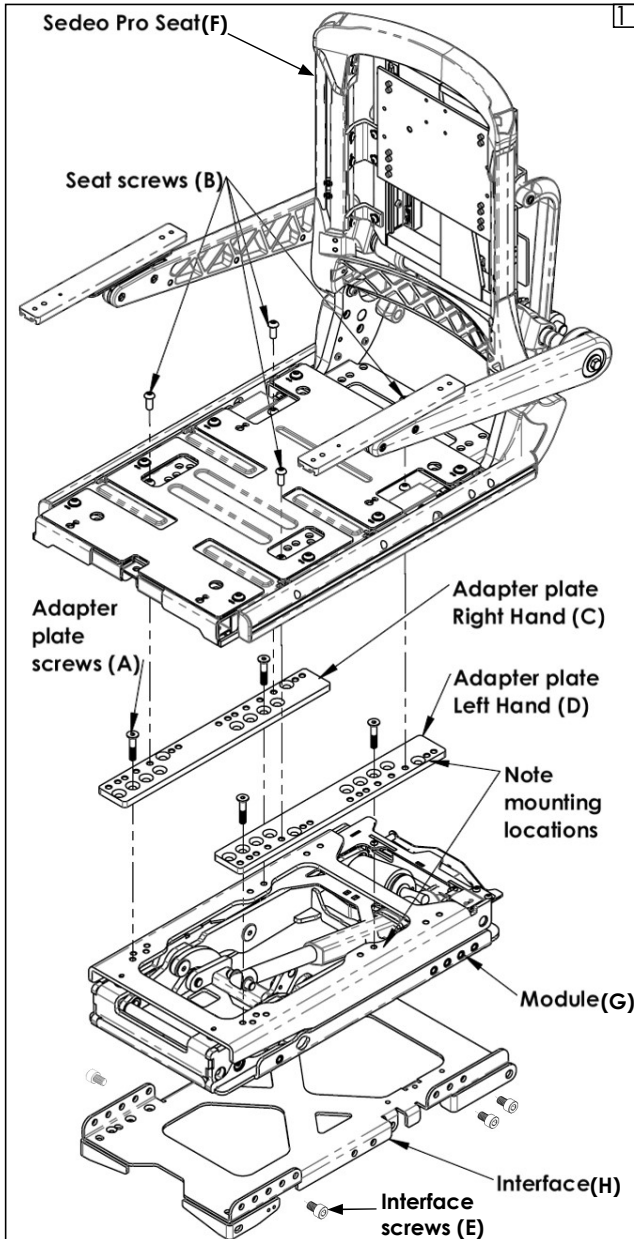




Q700® M/Q500® M SEDEO® PRO SEAT MOUNTING MATRIX



Please read these instructions carefully before beginning the assembly. Failure to understand and follow assembly instructions may result in injury to technician and/or end user and may void the warranty. If you have any questions call Sunrise Medical Technical Support at +1 (800) 333-4000.



Parts:

1. 4 ea Adapter plate screws (A)
2. 4 ea Seat screws (B)
3. 1 ea Adapter plate RH (C)
4. 1 ea Adapter plate LH (D)
5. 6 ea Interface screws (E)
6. 1 ea SEDEO Pro Seat (F)
7. 1 ea Module (Tilt, Lift, Tilt Lift Combo, Filler) (G)
8. 1 ea Interface (H)




Required tools:

1. 5mm hex key
2. 6mm hex key
3. Torque wrench

A. REMOVE SEAT/ADAPTER PLATES/MODULE

1. **Remove Seat (F):** Note position of seat screws (B) on the seat (F) as well as the position to the adapter plates (C, D). Remove the 4 seat screws (B) holding the seat to the adapter (C, D) and remove the seat (F) (Fig 1). (Use 5mm hex key)
2. **Remove adapter plates (C and D):** If your chair does not have adapter plates (C, D) skip this step, move on to step 3. Note the position of the adapter screws (A) to the plates (C, D) as well as to the module (G). Remove the 4 screws (A) holding the adapter (C, D) to the module (G) and remove the adapter plates (C, D) (Fig 1). (Use 5mm hex key)
Note- tilt module is shown, but directions apply to all modules (lift, tilt, tilt lift combo, or filler).
3. **Remove module (G):** Note the position of the interface screws (E) to the interface (H) as well as to the module (G). Remove the 6 screws (E) holding the module (G) to the interface (H) and remove the module (G) (Fig 1). (Use 6mm hex key)
4. **Note position of all mounting locations** if the seat depth is not changing. If the seat depth is changing, see pages 2 to 12.

B. ASSEMBLE SEAT/ADAPTER PLATES/MODULE

1. **Assemble module (G) to the interface (H)** using the interface screws (E). See pages 2 and 7 for mounting location. Torque to 13.6-14.9 Nm [120-132 in-lbs]. 
2. **Assemble adapter plates (C, D) to module (G).** If adapter plates (C, D) are not used, skip this step and move on to step 3. See pages 3-11 for mounting location. Torque to 13.6-14.9 Nm [120-132 in-lbs]. 
3. **Assemble seat (F) to the adapter plates (C, D) or the module (G)** using the seat screws (B). See pages 3-11 for mounting location, and page 12 for seat depth detail. Torque to 13.6-14.9 Nm [120-132 in-lbs]. 

C. INSPECT:

1. All torque values with a torque wrench.
2. Ensure that all the wire harnesses are out of the way and are not being pinched.
3. Verify that the harnesses are not put under tension in any position.
4. Ensure the screws are mounted in the same location as they were before removal or are mounted to new seat depth locations as specified in Mounting Matrices below.

⚠ DEALER/TECHNICIAN WARNING

Attention dealers and qualified technicians, do not operate or service this device without first reading the owners manual. If you do not understand the instructions and warnings in the owners manual please contact the Quickie Technical Service Department before operating and/or servicing the Quickie device. Failure to do so may result in damage and/or injury.

Find more information and important warnings in the wheelchair owner's manual or at: www.SunriseMedical.com.

Contents

Q700M Module to Interface Mounting	2
Q700M SEDEO Pro Tilt Power Module	3
Q700M SEDEO Pro Tilt HD Seating Power Module.....	4
Q700M SEDEO Pro Lift Tilt Combo (LTC) Power Module	5
Q700M SEDEO Pro Lift Power Module	6
Q500M Module to Interface Mounting	7
Q500M SEDEO Pro Tilt Power Module	8
Q500M SEDEO Pro Lift Tilt Combo (LTC) Power Module	9
Q500M SEDEO Pro Lift Power Module	10
Q700M/Q500M SEDEO Pro Filler Module	11
SEDEO Pro Backrest Seat Depth Adjustment.....	12



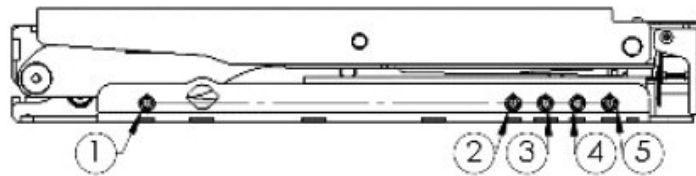
Customer Service: +1 (800) 333-4000
In Canada (800)263-3390
or visit www.SunriseMedical.com

© 2023 Sunrise Medical (US) LLC
08/2023 P/N 248759 Rev. E
Pg 1 of 12

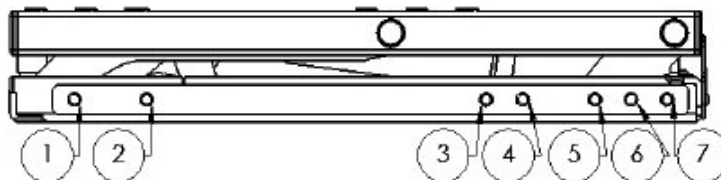
Q700M Module to Interface Mounting

Module to Interface			
	Tilt	LTC	Lift
with Adapter Plates	1 - C	1 - E	1 - E
	4 - F	2 - G	2 - G
	5 - H	3 - H	3 - H
no Adapter Plates	1 - C	1 - D	1 - E
	4 - F	2 - F	2 - G
	5 - H	4 - H	3 - H

← FRONT OF CHAIR



Lift / Lift Tilt Combo (LTC)



Tilt



Interface beginning 7/15/22



Interface prior to 7/15/22

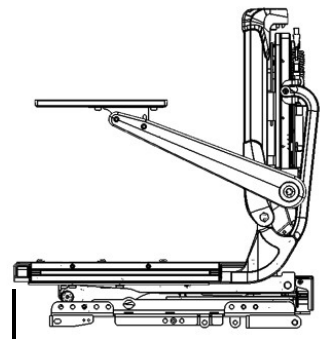


**Q700[®] M/Q500[®] M SEDEO[®] PRO
SEAT MOUNTING MATRIX**

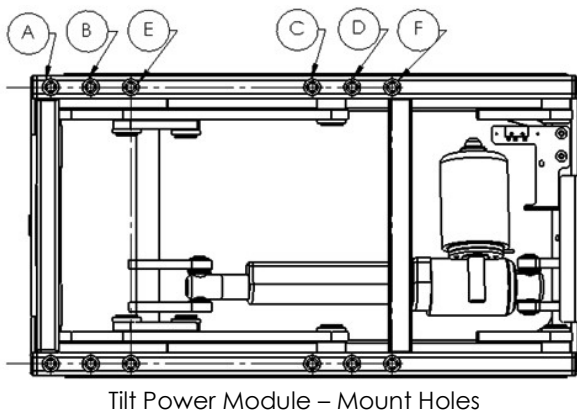
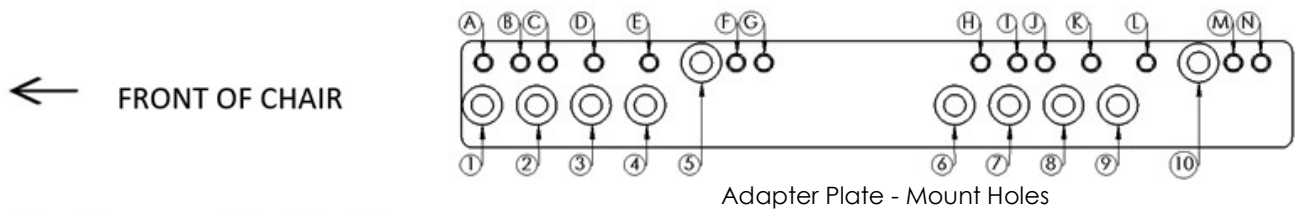
Q700M SEDEO Pro Tilt Power Module

Tilt - no Adapter Plates					
Seat Depth	Backrest Position	Module	Adapter Plate to Module	Seat Pan to Module	Distance from front of seat pan to front of interface (in)
14	1	Tilt	N/A	4 - B 2 - D	3.4
15	3	Tilt	N/A	4 - B 2 - D	3.4
16	5	Tilt	N/A	4 - B 2 - D	3.4
17	8	Tilt	N/A	4 - A 2 - C	4.8
18	10	Tilt	N/A	3 - B 1 - D	5.6
19	13	Tilt	N/A	3 - A 1 - C	7.0
20	15	Tilt	N/A	3 - A 1 - C	7.0

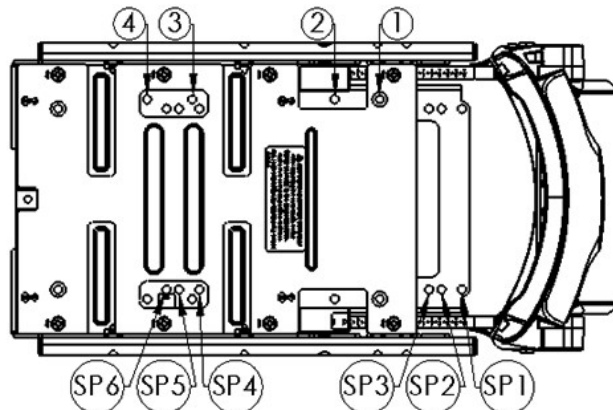
Tilt - with Adapter Plates					
Seat Depth	Backrest Position	Module	Adapter Plate to Module	Seat Pan to Adapter Plate	Distance from front of seat pan to front of interface (in)
19	13	Tilt	5 - B 10 - D	3 - E 1 - L	6.7
20	15	Tilt	5 - B 10 - D	3 - D 1 - K	7.4
21	18	Tilt	5 - B 10 - D	3 - C 1 - J	8.3
22	20	Tilt	5 - B 10 - D	3 - A 1 - H	9.6



Distance from front of seat pan to front of interface → ←



Tilt Power Module - Mount Holes



SEDEO Pro Seat Pan - Mount Holes



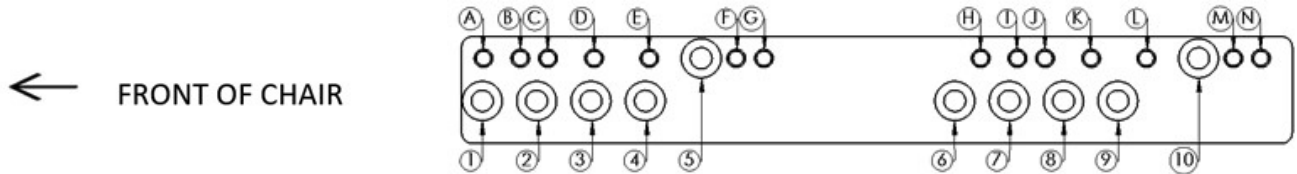
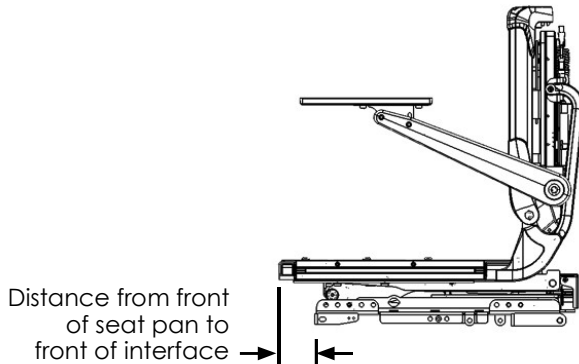


Q700[®] M/Q500[®] M SEDEO[®] PRO
SEAT MOUNTING MATRIX

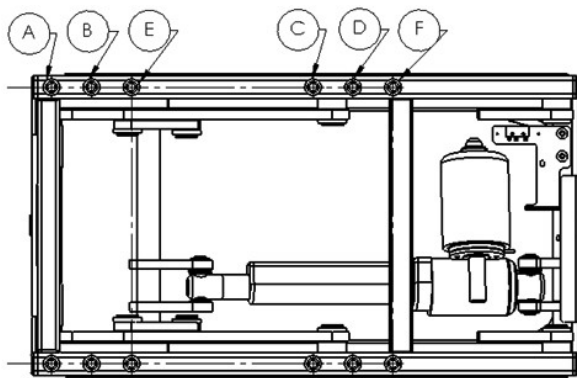
Q700M SEDEO Pro Tilt HD Seating Power Module

Tilt HD Seating - no Adapter Plates					
Seat Depth	Backrest Position	Module	Adapter Plate to Module	Seat Pan to Module	Distance from front of seat pan to front of interface (in)
18	10	Tilt	N/A	3 - B 1 - D	5.6

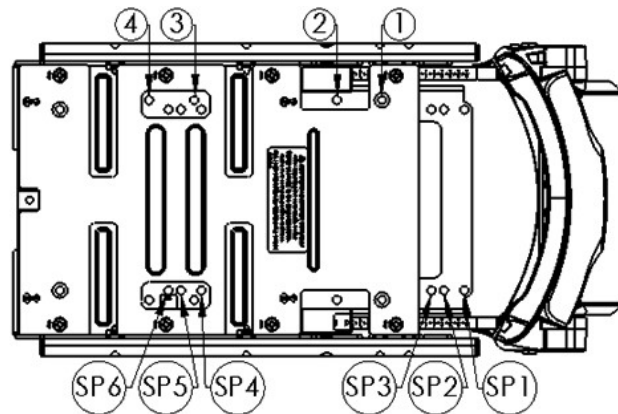
Tilt HD Seating - with Adapter Plates					
Seat Depth	Backrest Position	Module	Adapter Plate to Module	Seat Pan to Adapter Plate	Distance from front of seat pan to front of interface (in)
19	12	Tilt	5 - B 10 - D	3 - E 1 - L	6.7
20	14	Tilt	5 - B 10 - D	3 - D 1 - K	7.4
21	16	Tilt	5 - B 10 - D	3 - D 1 - K	7.4
22	18	Tilt	5 - B 10 - D	3 - C 1 - J	8.3
23	20	Tilt	5 - B 10 - D	3 - A 1 - H	9.6
24	21	Tilt	5 - B 10 - D	3 - A 1 - H	9.6



Adapter Plate - Mount Holes



Tilt Power Module - Mount Holes



SEDEO Pro Seat Pan - Mount Holes

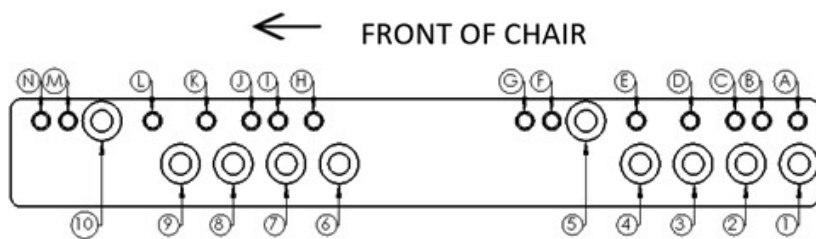


Q700[®] M/Q500[®] M SEDEO[®] PRO
SEAT MOUNTING MATRIX

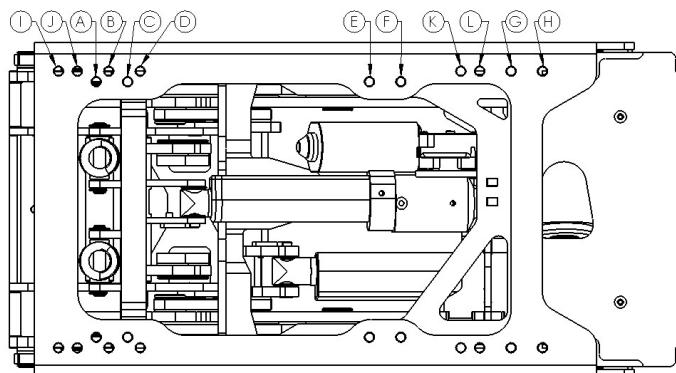
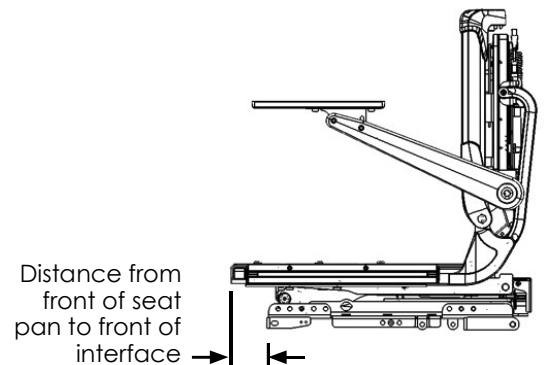
Q700M SEDEO Pro Lift Tilt Combo (LTC) Power Module

LTC - no Adapter Plates					
Seat Depth	Backrest Position	Module	Adapter Plate to Module	Seat Pan to Module	Distance from front of seat pan to front of interface (in)
14	1	LTC	N/A	SP6 - D SP3 - H	3.7
15	3	LTC	N/A	SP6 - D SP3 - H	3.7
16	5	LTC	N/A	SP6 - D SP3 - H	3.7
17	8	LTC	N/A	SP5 - B SP2 - G	5.3
18	10	LTC	N/A	SP6 - J SP3 - L	5.7
19	13	LTC	N/A	SP5 - I SP2 - K	6.9
20	15	LTC	N/A	SP4 - I SP1 - K	7.9

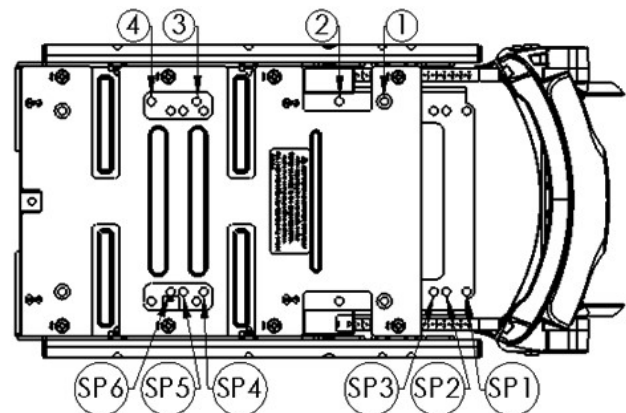
LTC - with Adapter Plates					
Seat Depth	Backrest Position	Module	Adapter Plate to Module	Seat Pan to Adapter Plate	Distance from front of seat pan to front of interface (in)
19	13	LTC	7 - A 2 - E	3 - K 1 - D	6.9
20	15	LTC	7 - A 2 - E	4 - N 2 - G	7.8
21	18	LTC	7 - A 2 - E	3 - M 1 - F	9.4
22	20	LTC	7 - A 2 - E	3 - N 1 - G	9.8



Adapter Plate - Mount Holes



LTC Power Module - Mount Holes



SEDEO Pro Seat Pan - Mount Holes



Customer Service: +1 (800) 333-4000
In Canada (800)263-3390
or visit www.SunriseMedical.com

© 2023 Sunrise Medical (US) LLC
08/2023 P/N 248759 Rev. E
Pg 5 of 12

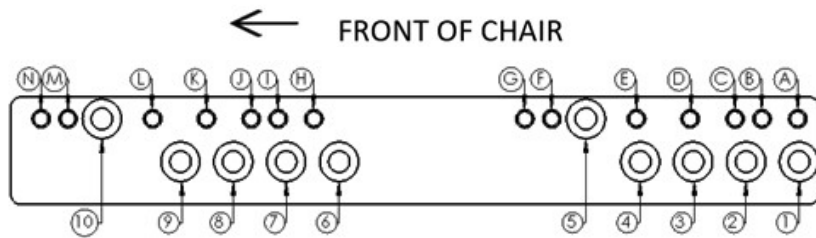


Q700® M/Q500® M SEDEO® PRO
SEAT MOUNTING MATRIX

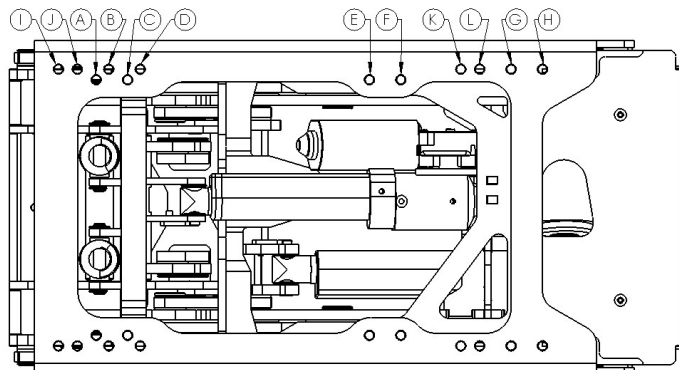
Q700M SEDEO Pro Lift Power Module

Lift - no Adapter Plates					
Seat Depth	Backrest Position	Module	Adapter Plate to Module	Seat Pan to Module	Distance from front of seat pan to front of interface (in)
14	1	Lift	N/A	SP6 - D SP3 - H	2.8
15	3	Lift	N/A	SP6 - D SP3 - H	2.8
16	5	Lift	N/A	SP6 - D SP3 - H	2.8
17	8	Lift	N/A	SP6 - B SP3 - G	3.7
18	10	Lift	N/A	SP5 - B SP2 - G	4.3
19	13	Lift	N/A	SP4 - B SP1 - G	5.3
20	15	Lift	N/A	SP4 - J SP1 - L	6.3

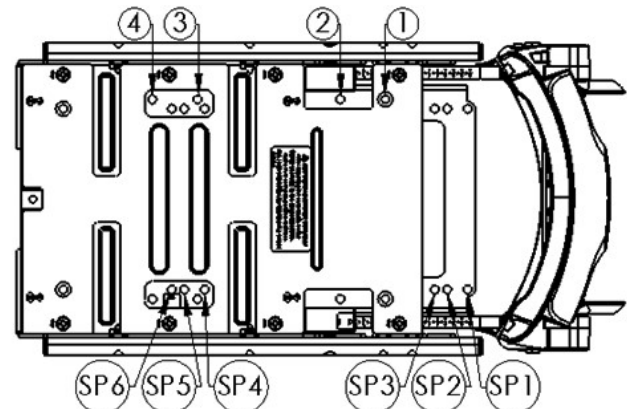
Lift - with Adapter Plates					
Seat Depth	Backrest Position	Module	Adapter Plate to Module	Seat Pan to Adapter Plate	Distance from front of seat pan to front of interface (in)
19	13	Lift	9 - A 4 - E	3 - K 1 - D	5.0
20	15	Lift	9 - A 4 - E	3 - L 1 - E	6.0
21	18	Lift	9 - A 4 - E	3 - M 1 - F	7.4
22	20	Lift	9 - A 4 - E	3 - N 1 - G	7.9



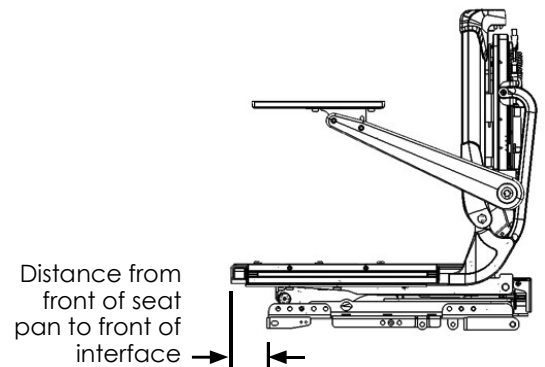
Adapter Plate - Mount Holes



Lift Power Module - Mount Holes



SEDEO Pro Seat Pan - Mount Holes



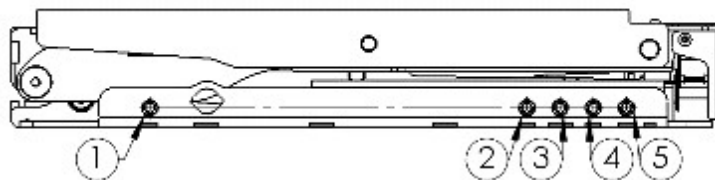
Distance from front of seat pan to front of interface



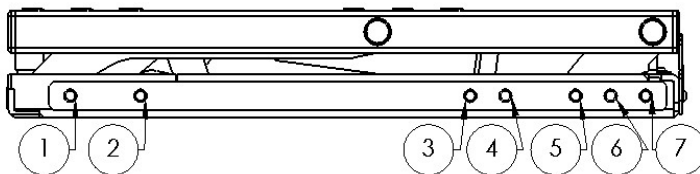
Q500M Module to Interface Mounting

Module to Interface					
	Tilt	LTC		Lift	
		14-in Seat Depth	15-in to 22-in Seat Depth	14-in Seat Depth	15-in to 22-in Seat Depth
w/ Adapter Plates	1 - B				
	5 - G	1 - E	1 - E	1 - E	1 - E
	6 - H	2 - G	2 - G	2 - G	2 - G
		3 - H	3 - H	3 - H	3 - H
no Adapter Plates	1 - B	1 - E	1 - D	1 - E	1 - D
	5 - G	2 - G	2 - F	2 - G	2 - F
	6 - H	3 - H	4 - H	3 - H	4 - H

← FRONT OF CHAIR



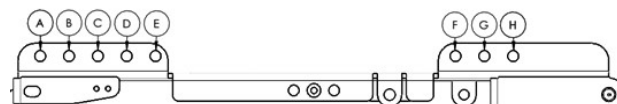
Lift



Tilt



Interface beginning 7/15/22



Interface prior to 7/15/22

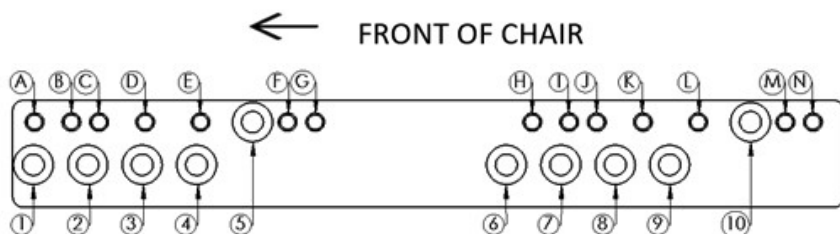


Q700® M/Q500® M SEDEO® PRO
SEAT MOUNTING MATRIX

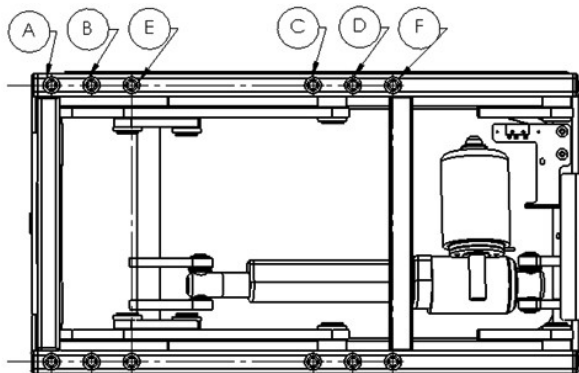
Q500M SEDEO Pro Tilt Power Module

Tilt - no Adapter Plates					
Seat Depth	Backrest Position	Module	Adapter Plate to Module	Seat Pan to Module	Distance from front of seat pan to front of interface (in)
14	1	Tilt	N/A	4 - B 2 - D	4.3
15	3	Tilt	N/A	4 - B 2 - D	4.3
16	5	Tilt	N/A	4 - B 2 - D	4.3
17	8	Tilt	N/A	4 - A 2 - C	5.6
18	10	Tilt	N/A	3 - B 1 - D	6.4
19	13	Tilt	N/A	3 - A 1 - C	7.8
20	15	Tilt	N/A	3 - A 1 - C	7.8

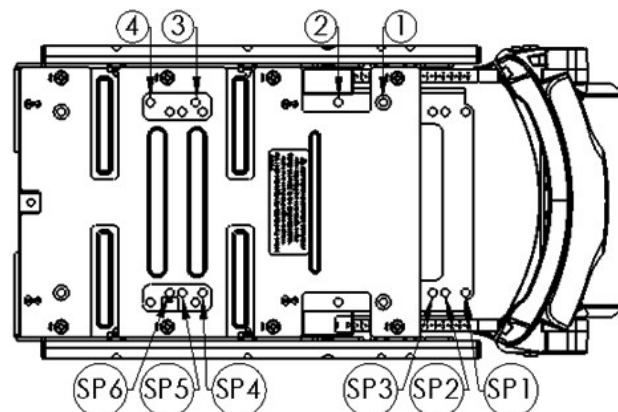
Tilt - with Adapter Plates					
Seat Depth	Backrest Position	Module	Adapter Plate to Module	Seat Pan to Adapter Plate	Distance from front of seat pan to front of interface (in)
19	13	Tilt	5 - B 10 - D	4 - B 2 - I	7.5
20	15	Tilt	5 - B 10 - D	3 - D 1 - K	8.4
21	18	Tilt	5 - B 10 - D	3 - B 1 - I	9.7
22	20	Tilt	5 - B 10 - D	3 - A 1 - H	10.4



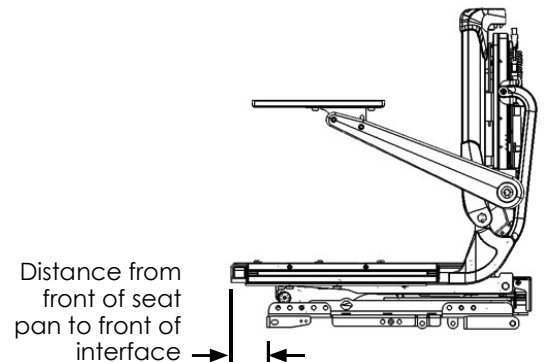
Adapter Plate - Mount Holes



Tilt Power Module - Mount Holes



SEDEO Pro Seat Pan - Mount Holes





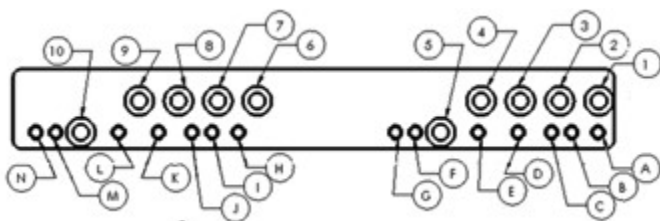
Q700® M/Q500® M SEDEO® PRO
SEAT MOUNTING MATRIX

Q500M SEDEO Pro Lift Tilt Combo (LTC) Power Module

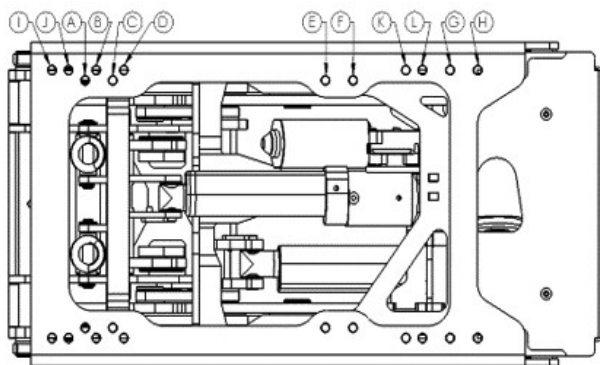
LTC - no Adapter Plates					
Seat Depth	Backrest Position	Module	Adapter Plate to Module	Seat Pan to Module	Distance from front of seat pan to front of interface (in)
14	1	LTC	N/A	SP6 - D SP3 - H	2.6
15	3	LTC	N/A	SP6 - D SP3 - H	3.6
16	5	LTC	N/A	SP6 - D SP3 - H	3.6
17	8	LTC	N/A	SP6 - B SP3 - G	4.6
18	10	LTC	N/A	SP6 - J SP3 - L	5.5
19	13	LTC	N/A	SP5 - I SP2 - K	6.7
20	15	LTC	N/A	SP4 - J SP1 - L	7.1

LTC - with Adapter Plates					
Seat Depth	Backrest Position	Module	Adapter Plate to Module	Seat Pan to Adapter Plate	Distance from front of seat pan to front of interface (in)
19	13	LTC	7 - A 2 - E	3 - K 1 - D	6.7
20	15	LTC	7 - A 2 - E	4 - M 2 - F	7.1
21	18	LTC	7 - A 2 - E	3 - L 1 - E	7.7
22	20	LTC	7 - A 2 - E	3 - M 1 - F	9.3

← FRONT OF CHAIR

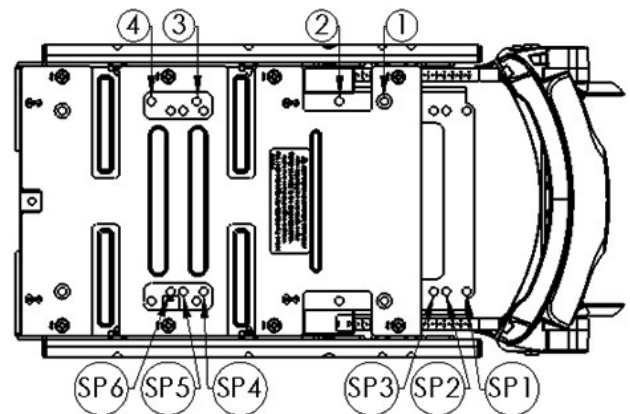
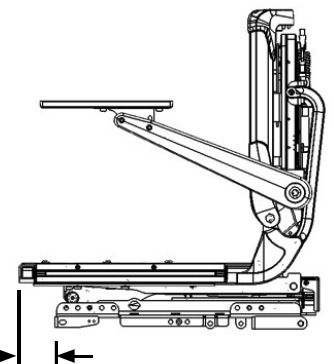


Adapter Plate - Mount Holes



LTC Power Module - Mount Holes

Distance from front of seat pan to front of interface →



SEDEO Pro Seat Pan - Mount Holes



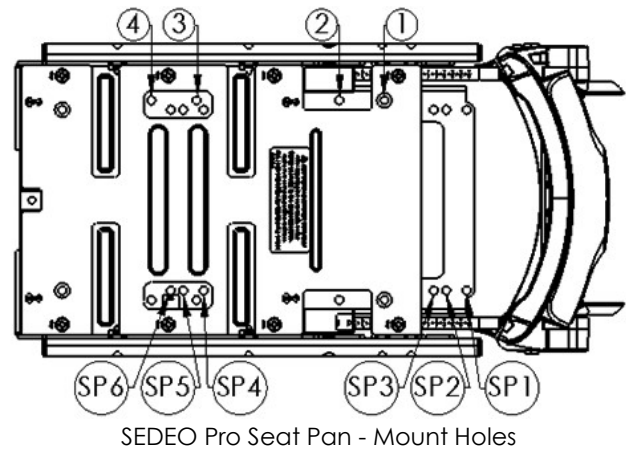
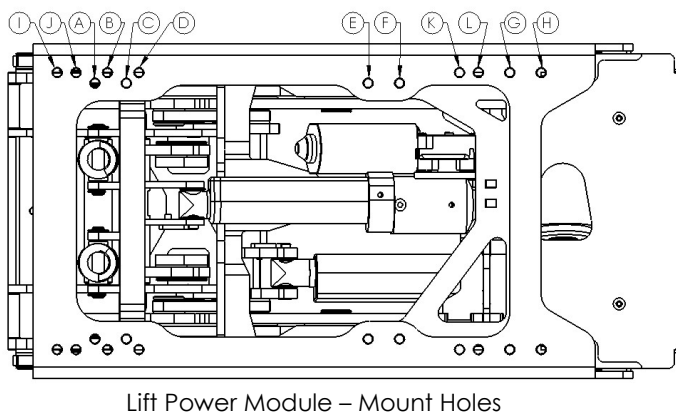
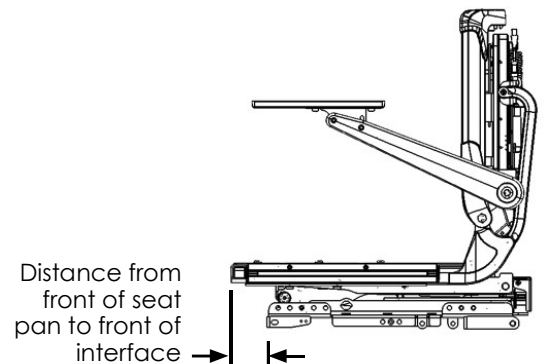
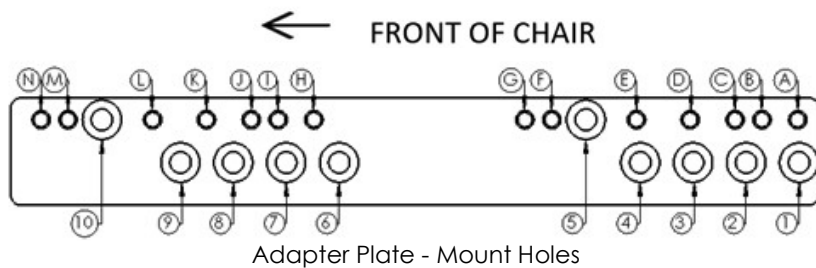
Customer Service: +1 (800) 333-4000
In Canada (800)263-3390
or visit www.SunriseMedical.com

© 2023 Sunrise Medical (US) LLC
08/2023 P/N 248759 Rev. E
Pg 9 of 12

Q500M SEDEO Pro Lift Power Module

Lift - no Adapter Plates					
Seat Depth	Backrest Position	Module	Adapter Plate to Module	Seat Pan to Module	Distance from front of seat pan to front of interface (in)
14	1	Lift	N/A	SP6 - D SP3 - H	2.6
15	3	Lift	N/A	SP6 - D SP3 - H	3.6
16	5	Lift	N/A	SP6 - D SP3 - H	3.6
17	8	Lift	N/A	SP6 - B SP3 - G	4.6
18	10	Lift	N/A	SP5 - B SP2 - G	5.2
19	13	Lift	N/A	SP5 - I SP2 - K	6.7
20	15	Lift	N/A	SP4 - J SP1 - L	7.1

Lift - with Adapter Plates					
Seat Depth	Backrest Position	Module	Adapter Plate to Module	Seat Pan to Adapter Plate	Distance from front of seat pan to front of interface (in)
19	13	Lift	7 - A 2 - E	3 - K 1 - D	6.7
20	15	Lift	7 - A 2 - E	4 - M 2 - F	7.1
21	18	Lift	7 - A 2 - E	3 - L 1 - E	7.7
22	20	Lift	7 - A 2 - E	3 - M 1 - F	9.3

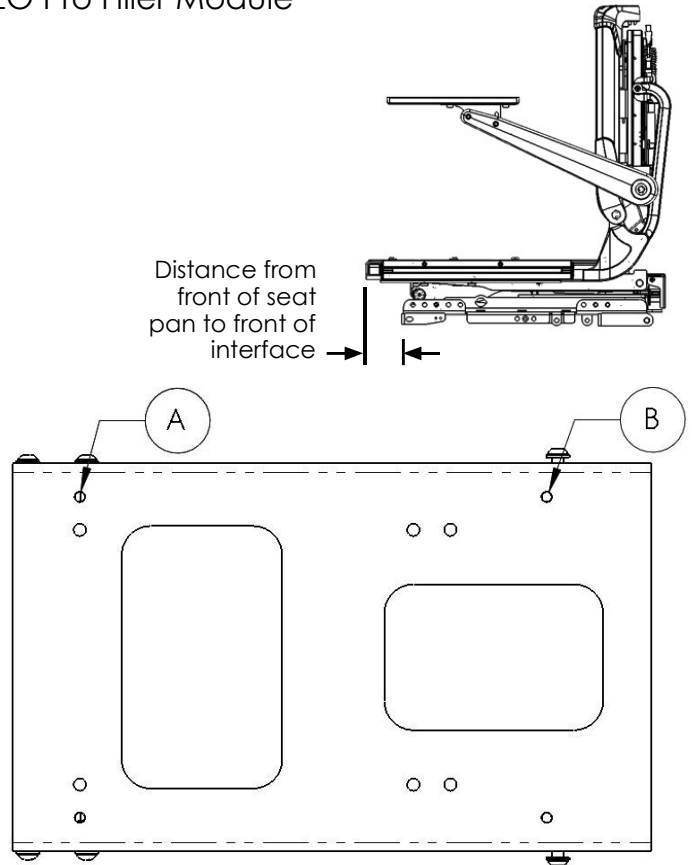




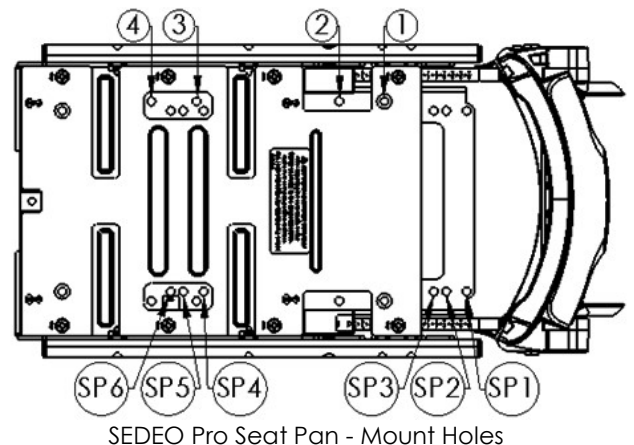
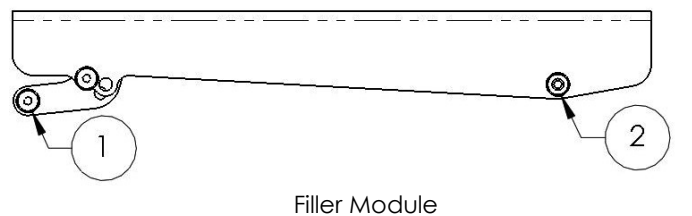
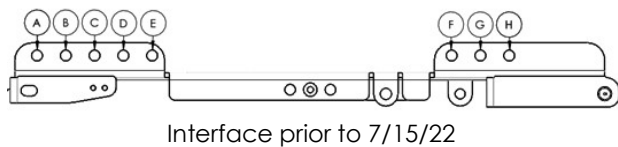
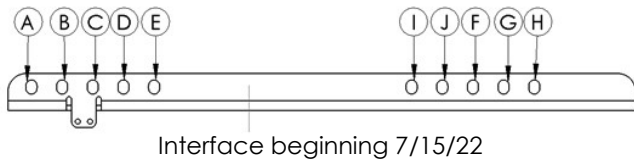
Q700[®] M/Q500[®] M SEDEO[®] PRO
SEAT MOUNTING MATRIX

Q700M/Q500M SEDEO Pro Filler Module

Short/Long Frame Filler - No Adapter Plates						
Seat Depth	Backrest Position	Module	Filler Module to Interface	Adapter Plate to Module	Seat Pan to Filler Module	Distance from front of seat pan to front of interface (in)
14	1	Filler	E - 1 H - 2	N/A	SP6 - A SP3 - B	3.0
15	3	Filler	E - 1 H - 2	N/A	SP6 - A SP3 - B	3.0
16	5	Filler	E - 1 H - 2	N/A	SP5 - A SP2 - B	3.6
17	8	Filler	E - 1 H - 2	N/A	SP4 - A SP1 - B	4.6
18	10	Filler	D - 1 G - 2	N/A	SP4 - A SP1 - B	5.6
19	13	Filler	C - 1 F - 2	N/A	SP4 - A SP1 - B	6.6
20	15	Filler	C - 1 F - 2	N/A	SP4 - A SP1 - B	6.6
21	18	Filler	C - 1 F - 2	N/A	SP4 - A SP1 - B	6.6
22	20	Filler	C - 1 F - 2	N/A	SP4 - A SP1 - B	6.6



← FRONT OF CHAIR



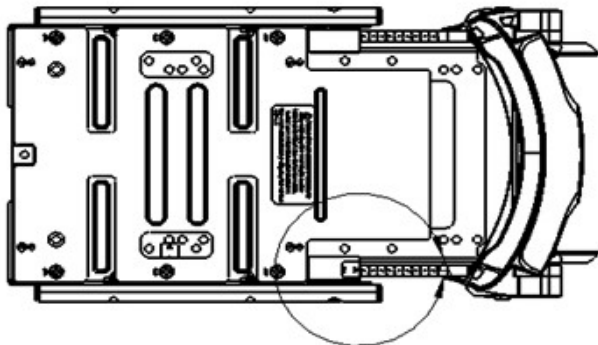
SEDEO Pro Seat Pan - Mount Holes



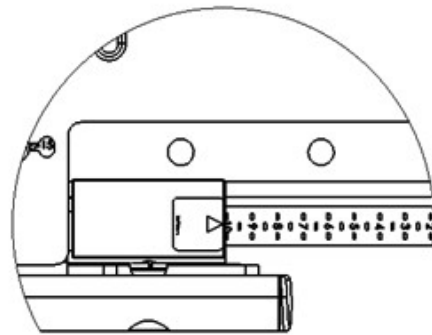
Customer Service: +1 (800) 333-4000
In Canada (800)263-3390
or visit www.SunriseMedical.com

© 2023 Sunrise Medical (US) LLC
08/2023 P/N 248759 Rev. E
Pg 11 of 12

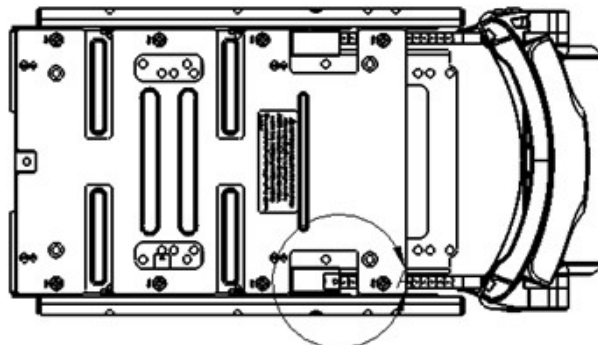
SEDEO Pro Backrest Seat Depth Adjustment
Seat Depth Detail



Short Seat Pan



← FRONT OF CHAIR



Long Seat Pan

