



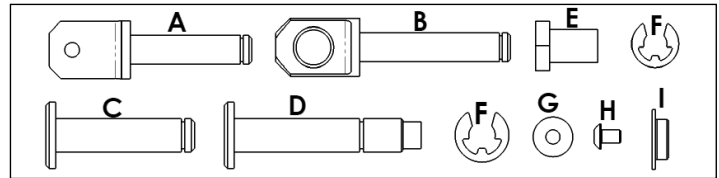
BACKREST ACTUATOR OR SPRING REPLACEMENT



Please read these instructions carefully before beginning the assembly. Failure to understand and follow assembly instructions may result in injury to technician and/or end user and may void the warranty. If you have any questions call Sunrise Medical Technical Support at +1 (800) 333-4000.

Actuator or Spring parts:

- | | |
|---------------------------------|---------------------------------|
| 1. 1 ea Upper actuator bolt (A) | 6. 7 ea E-clip (F) |
| 2. 1 ea Lower actuator bolt (B) | 7. 2 ea Washer (G) |
| 3. 3 ea Actuator bolt (C) | 8. 2 ea Hex head screw (H) |
| 4. 2 ea Actuator bolt (D) | 9. 14 ea Bushing (I) |
| 5. 1 ea Sleeve (E) (x2) | 10. 1 ea Actuator or Gas Spring |



Required tools:

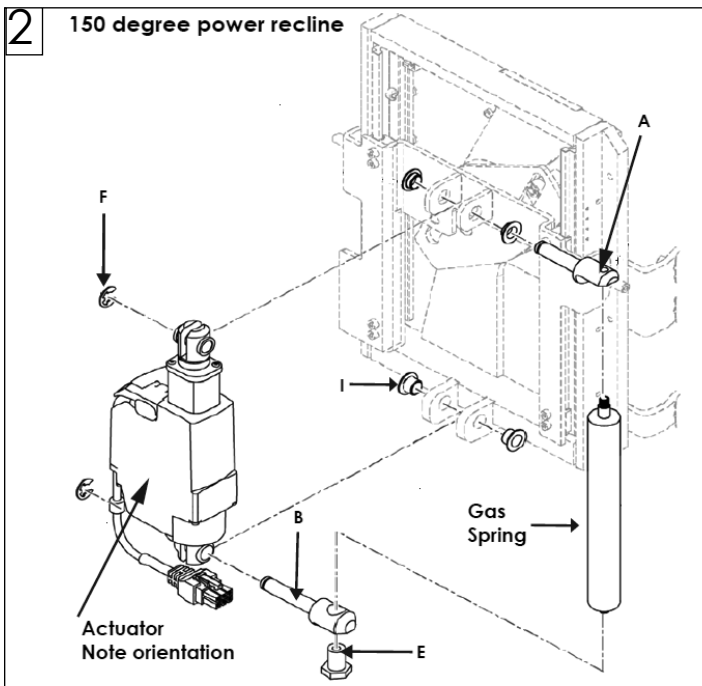
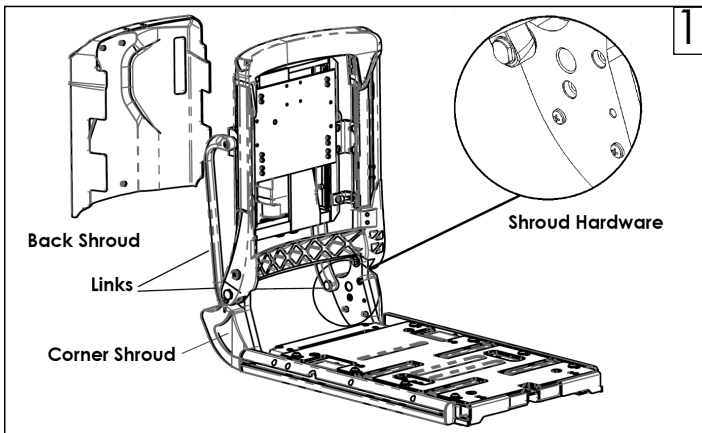
- | | |
|----------------|-------------------------|
| 1. 3mm hex key | 4. 19mm wrench |
| 2. 5mm hex key | 5. Phillips screwdriver |
| 3. 13mm wrench | 6. Pliers |

A. REMOVE ACTUATOR (150 Degree Power Recline With Gas Spring - Fig 2)

- With a phillips screwdriver, remove both corner shrouds (Fig 1). Save hardware.
- Using a 3mm hex key and a 13mm wrench, remove the hardware holding the lower mount of both links, then remove the main back shroud (Fig 1). Save hardware.
- Reattach both lower links with saved hardware. Secure with 3mm hex key and 13mm wrench. (Fig 1)
- Through the joystick, activate the recline until the actuator is at its shortest length possible. Unplug the actuator harness.
- When unplugging the actuator harness, note which side of the actuator the harness is on.
- Hold the upper portion of the gas spring to keep it from spinning, while at the same time, loosen and remove sleeve (E) with a 19mm wrench. (Fig 2)
- Undo the gas spring from the upper actuator bolt (A). Note: Refer to section B Remove Gas Spring.
- Remove the 2 actuator E-clips (F) using pliers (Fig 2). Save the hardware, unless the hardware kit was ordered.
- Now, rotate the lower actuator bolt (B) and remove the upper and lower actuator bolts (A and B).
- If the actuator is still under warranty, return it to Sunrise Medical, otherwise discard. Save all hardware unless the hardware kit was ordered.

B. REMOVE GAS SPRING (150 Degree Power Recline With Gas Spring - Fig 2):

- Repeat steps 1-3 from section A.
- Hold the upper portion of the gas spring to keep it from spinning, while at the same time, loosen and remove sleeve (E) with a 19mm wrench. (Fig 2)
- Now, rotate the lower actuator bolt (B) and remove the lower portion of the gas spring.
- Remove the upper portion of the gas spring from the upper actuator mount (A).
- If the gas spring is under warranty, return it to Sunrise Medical; otherwise discard gas spring. Save all hardware, unless the hardware kit was ordered.



⚠️ DEALER/TECHNICIAN WARNING

Attention dealers and qualified technicians, do not operate or service this device without first reading the owners manual. If you do not understand the instructions and warnings in the owners manual please contact the Quickie Technical Service Department before operating and/or servicing the Quickie device. Failure to do so may result in damage and/or injury.

Find more information and important warnings in the wheelchair owner's manual or at: www.SunriseMedical.com.



Sunrise Medical 2842 N. Business Park Ave Fresno, CA 93727 USA In Canada: (800) 263-3390




Customer Service: +1(800) 333-4000
or visit www.SunriseMedical.com

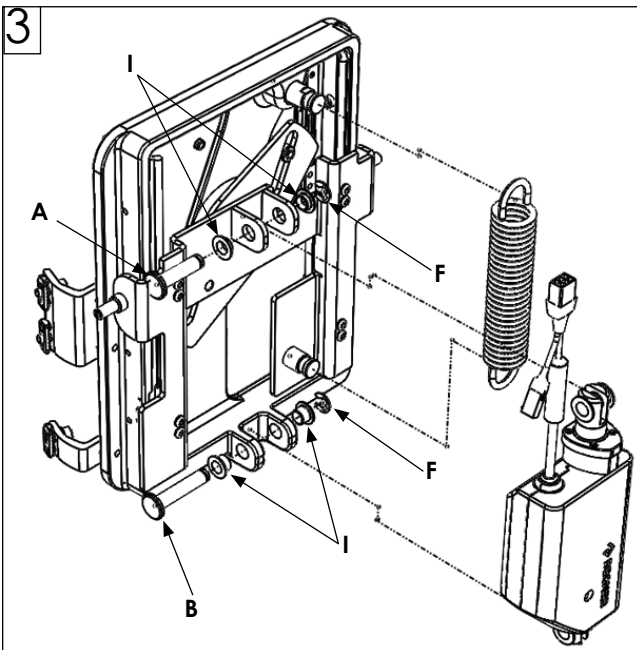
© 2022 Sunrise Medical (US) LLC
03/2022 248763 Rev. B
Page 1 of 5

C. INSTALL ACTUATOR (150 Degree Power Recline With Gas Spring - Fig 2):

1. Before reattaching anything, ensure the upper and lower actuator mounts have the bushings (I) installed in them. Either the existing bushings or new bushings, if the hardware kit was ordered. (Fig 2)
2. Now install the upper portion of the actuator into the upper actuator mount and then slide the upper actuator bolt (A) into the upper mount and the actuator. At this point do NOT attach E-clip.
- NOTE: Ensure the actuator is oriented correctly. See (Fig 2) and compare to (Fig 3).
3. Slide the lower actuator bolt (B) into the lower actuator mount and the actuator. When reinstalling the lower actuator mount, ensure it is rotated around to allow a more straight path into the mount. (Fig 2)
4. Attach the gas spring to the upper actuator bolt (A).
5. Attach the lower portion of the gas spring into the lower actuator bolt (B). It is likely this will require rotating the lower actuator bolt to allow the gas spring to attach.
6. Now secure the lower actuator bolt(B) to the gas spring with the sleeve (E). With a 19mm wrench, tighten to 6.8-8.0 Nm [60-70 in-lbs]. 
7. Attach E-clips to both the upper and lower actuator bolts (A and B) with pliers.
8. Reattach the actuator harness into chair harness.
9. Check harnessing for proper routing to avoid damage.
10. Test new actuator for proper function.
11. Using a 3mm hex key and a 13mm wrench, remove the hardware holding the lower mount of both links, then reinstall the main back shroud. Save hardware. (Fig 1)
12. Reattach both lower links with saved hardware. Secure with 3mm hex key and 13mm wrench. Torque to 3.0-3.6 Nm [27-32 in-lbs]. 
13. Reattach the two lower corner shrouds with saved hardware. Secure with phillips screwdriver. (Fig 1)


D. INSTALL GAS SPRING (150 Degree Power Recline With Gas Spring - Fig 2):

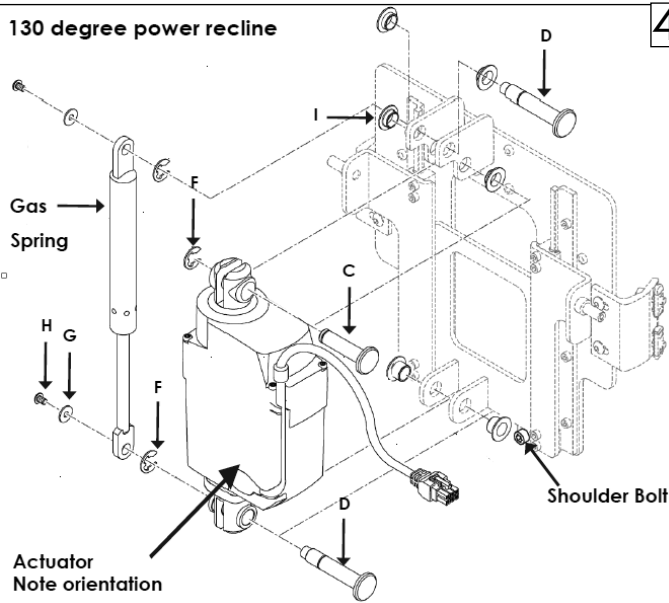
1. Attach the gas spring to the upper actuator bolt (A).
2. Attach the lower portion of the gas spring into the lower actuator bolt (B). It is likely this will require rotating the lower actuator bolt to allow the gas spring to attach.
3. Now secure the lower actuator bolt (B) to the gas spring with the sleeve (E). With a 19mm wrench, tighten to 6.8-8.0 Nm [60-70 in-lbs]. 
4. Test gas spring by reclining the back several times.
5. Repeat steps 11-13 from section B.


E. REMOVE ACTUATOR (150 Deg Power Recline With Coil Spring):

1. With a phillips screwdriver, remove both corner shrouds (Fig 1). Save hardware.
2. Using a 3mm hex key and a 13mm wrench, remove the hardware holding the lower mount of both links, then remove the main back shroud (Fig 1). Save hardware.
3. Reattach both lower links with saved hardware. Secure with 3mm hex key and 13mm wrench. (Fig 1)
4. Through the joystick, activate the recline until the actuator is at it's longest length possible (150 degree reclined position). The coil spring will be at its shortest length.
5. When the coil spring is at its shortest length, it can be removed by hand. Remove the coil spring from the back assembly.
6. Remove the 2 actuator E-clips (F) using pliers (Fig 3). Save the hardware, unless the hardware kit was ordered.
7. Now, rotate the lower actuator bolt (B), and remove the upper and lower actuator bolts (A and B).
8. If the actuator is still under warranty, return it to Sunrise Medical; otherwise discard. Save all hardware, unless the hardware kit was ordered.



F. INSTALL ACTUATOR (150 Degree Power Recline With Coil Spring - Fig 3):

1. Before reattaching anything, ensure the upper and lower actuator mounts have the bushings (I) installed in them, either the existing bushings or new bushings (if the hardware kit was ordered). (Fig 3)
2. Now install the upper portion of the actuator into the upper actuator mount and then slide the upper actuator bolt (A) into the upper mount and the actuator.
3. Attach E-clips to both the upper and lower actuator bolts (A and B) with pliers.
NOTE: Ensure the actuator is oriented correctly. See (Fig 3) and compare to (Fig 4).
4. Through the joystick, activate the recline until the actuator is at its longest length possible (150 degree reclined position). Install the coil spring to the mounting studs while the back is at the 150 degree position.
5. Attach E-clips to both the upper and lower actuator bolts (A and B) with pliers.
6. Reattach the actuator harness into chair harness.
7. Test new actuator for proper function.
8. Using a 3mm hex key and a 13mm wrench, remove the hardware holding the lower mount of both links; then reinstall the main back shroud. Save hardware. (Fig 1)
9. Reattach both lower links with saved hardware. Secure with 3mm hex key and 13mm wrench. Torque to 3.0-3.6 Nm [27-32 in-lbs]. 
10. Reattach the two lower corner shrouds with saved hardware. Secure with phillips screwdriver. (Fig 1)

130 degree power recline

G. REMOVE ACTUATOR (130 Degree Power Recline With Gas Spring- Fig 4):

1. Repeat steps 1-3 from section A.
2. Through the joystick, activate the recline until the actuator is at its longest length possible. Unplug the actuator harness.
3. When unplugging the actuator harness, note which side of the actuator the harness is on.
4. Remove the top mount for the actuator first, by removing E-clip (F), then top actuator bolt (C).
5. The gas spring will now extend a small amount. Now, disconnect the lower actuator mount.
6. At the lower actuator mount, remove the screw (H) and washer (G) from the lower actuator bolt (D). Disconnect the gas spring from the lower actuator bolt (D) and leave loose in the top mount. Now remove E-clip (F) from the lower actuator mount bolt (D) with pliers; next, the actuator can be removed completely. Save all the hardware unless the hardware kit was ordered. (Fig 4)
7. If the actuator is under warranty return it to Sunrise Medical. Otherwise discard.

H. INSTALL ACTUATOR (130 Degree Power Recline With Gas Spring- Fig 4):

1. Before reattaching anything, ensure the upper and lower actuator mounts have the bushings (I) installed in them (either the existing bushings or new bushings, if the hardware kit was ordered).
2. With a 5mm hex key, remove shoulder bolt and save. Do NOT let the slider slide off the track. Install gas spring first, then pull the backrest back to insert the top of actuator.(Fig 4)
3. Attach the lower portion of the gas spring and the actuator (Fig 3). Attach lower actuator bolt (D) through the lower actuator mount and secure E-clip (F) with pliers. Now attach the lower mount of the gas spring onto lower actuator bolt (D). Now attach and secure washer (G) and screw (H) to lower actuator mount bolt (D). With 3mm hex key torque to 3.0-3.6 Nm [27-32 in-lbs]. 
4. Now attach the top portion of the actuator. With upper actuator bolt (C), attach to top mount and secure by installing E-clip (F) to upper actuator bolt (C) with pliers. It will be necessary to pull the backrest back to attach.
5. Reattach shoulder bolt with 5mm hex key. Torque to 6.8-8.0 Nm [60-70 in-lbs]. (Fig 4) 
6. Reattach the actuator harness into chair harness.
7. Check harnessing for proper routing to avoid damage.
8. Test the new actuator for proper function.
9. Repeat steps 11-13 from section B.





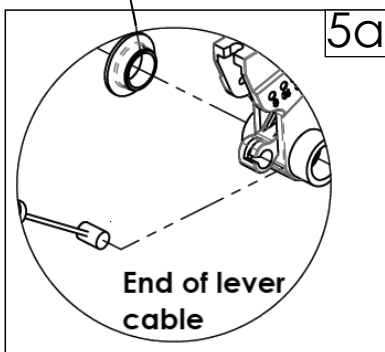
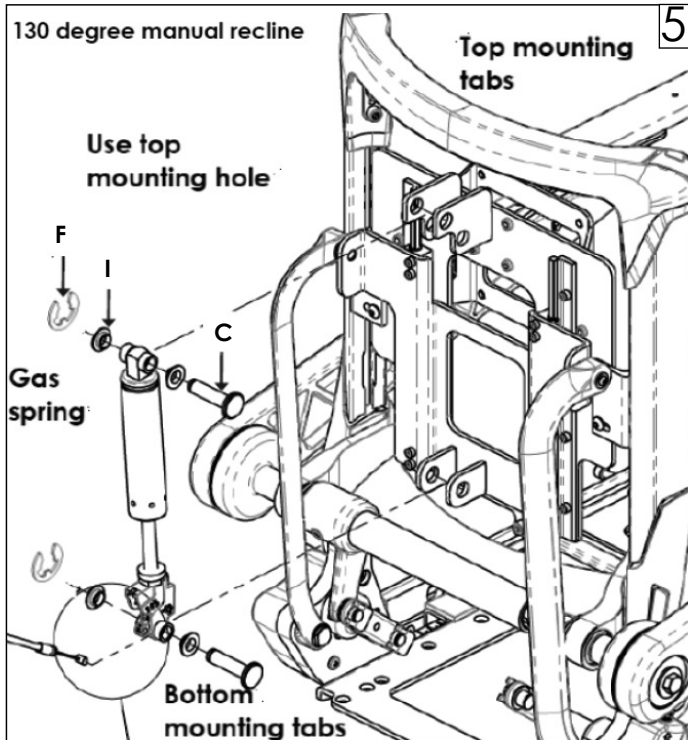
BACKREST ACTUATOR OR SPRING REPLACEMENT

I. REMOVE GAS SPRING (130 degree power recline - Fig 4):

1. Repeat steps 1-3 from section A.
2. Remove the upper and lower screws (H) and washers (G) from the gas spring. Use 3mm hex key. (Fig 3) Save hardware, unless hardware kit was ordered.
3. Remove the gas spring. Start with the top portion of the gas spring by holding the top actuator bolt (D) and then pushing outward on the top of the gas spring.
4. Once the top of gas spring is loose, the bottom will easily come off the lower actuator bolt (D).
5. Remove shoulder bolt and save. (Fig 4)
6. If the gas spring is under warranty, return it to Sunrise Medical. Otherwise discard.

J. INSTALL GAS SPRING (130 degree power recline - Fig 4):

1. Disconnect the top actuator mount by removing E-clip with pliers that are attached to upper actuator bolt (C).
2. Attach the lower gas spring mount first by setting the gas spring on the lower actuator bolt (D) and then initially secure it with washer (G) and screw (H).
3. Now attach the upper portion of the gas spring to the upper actuator bolt (D) and then initially secure it with washer (G) and screw (H).
4. With both the upper and lower washers (G) and screws (H) attached to the upper and lower actuator bolts (D), secure both the screws (H) with a 3mm hex key. Torque to 3.0-3.6 Nm [27-32 in-lbs]. 
5. Reattach shoulder bolt with 5mm hex key. Torque to 6.8-8.0 Nm [60-70 in-lbs]. 
6. Test the new gas spring for proper function.
7. Repeat steps 11-13 from section B.



K. REMOVE GAS SPRING (130 degree Manual Recline Only)

1. Repeat steps 1-3 from section A.
2. Remove the 2 E-clips (F) holding the actuator bolts (C) with pliers. (Fig 5).
3. Remove the actuator bolts (C) and bushings (B). Discard all hardware.
4. Remove the end of the lever cable from the gas spring, (Fig 5a).
5. Remove gas spring.

L. INSTALL GAS SPRING

1. Line up the bottom mounting hole on the gas spring with the holes on the mounting tabs (Fig 5).
2. Install the actuator bolt (C) into the bushing (I) then into the bottom tab mounting hole, through the gas spring mounting hole, and through the second tab.
3. Add another bushing (I) onto the actuator bolt (C). Ensure that the bushings are seated into the tab holes.
4. Slide the E-clip (F) into the groove at the end of the actuator bolt (C) with pliers. Ensure that it is seated all the way down and snaps into place.
5. Reinsert the end of the lever cable into the gas spring.
6. Repeat the steps for the top actuator bolt (C). Ensure that the top of the gas spring is installed in the correct mounting holes on the tabs (Fig 5).
7. Reinstall the shroud.
8. Repeat steps 11-13 from section B.

M. INSPECT:

1. Retainer clips are seated onto the pivot pins.
2. That the actuator is oriented in the correct direction.
3. That bushings are seated into the tab holes.