



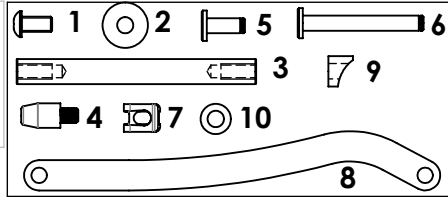
PIVOT PIN REPLACEMENT INSTRUCTIONS XENON 2



Please read these instructions carefully before beginning the installation. Failure to understand and follow installation instructions may result in injury to installer and/or end user and may void the warranty. If you have any questions call Sunrise Medical Technical support at 800-333-4000.

Kit parts:

- | | |
|-------------------------|---------------------------|
| 1. 2 ea M6x12 Screws | 6. 2 ea Hinge pin long |
| 2. 2 ea Washers | 7. 4 ea Pin clips |
| 3. 1 ea Pivot pin | 8. 2 ea Hinge |
| 4. 1 ea Tapered guide | 9. 4 ea Half shell spacer |
| 5. 2 ea Hinge pin short | 10. 2 ea Small washer |

**Tools needed for assembly:**

- 4mm hex key
- Torque wrench
- Rubber mallet

Note- Some parts have been omitted for clarity.

A. PRE-INSTALLATION 1

1. Prep for work:

- Partially fold the chair. This will make it easier to access the cross brace assembly and take some of the tension off of it, Fig 1.
- Place the chair on a flat work surface or workbench for best installation results.



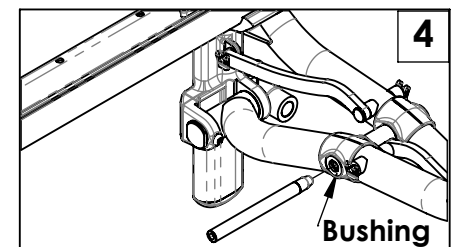
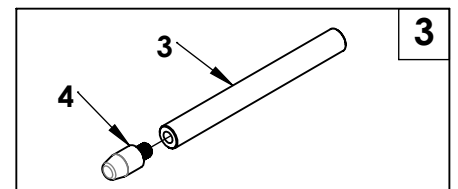
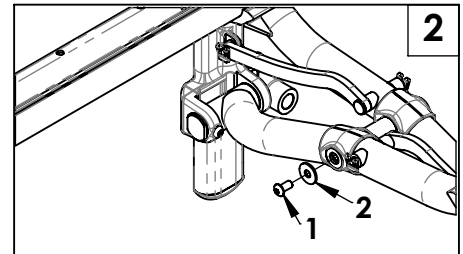
B. INSTALLING NEW PIVOT PIN 2 3 4

1. Remove pivot pin parts:

- Using a 4mm hex key, remove screw (1) and washer (2), Fig 2. Discard.
- Thread the tapered guide (4) into the new pivot pin (3), Fig 3. Leave it loose.

2. Install the new pivot pin:

- Insert the tapered end into the recess left after removing the screw and washer, Fig 4.
- Using the rubber mallet tap the end of the pivot pin (3) driving the tapered end of the guide (4) and the new pivot pin into the cross brace. As you are tapping the old pivot pin will be driven out on the back side. Stop tapping when the end of the new pivot pin is flush with the bushing on the cross brace.
- Remove the tapered guide from the end of pivot pin, discard it.
- Install the new washer (2) onto the new screw (1) then thread the screw into the new pivot pin. Be sure to install the screw and washer onto both ends of the pivot pin. Torque the screws to 60 to 70 in-lbs.



C. INSTALL NEW HINGES 5 6

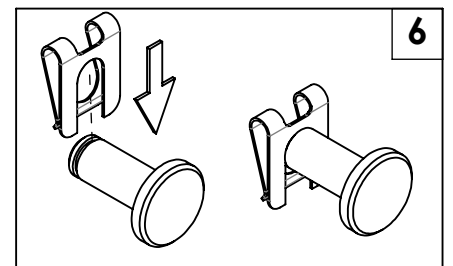
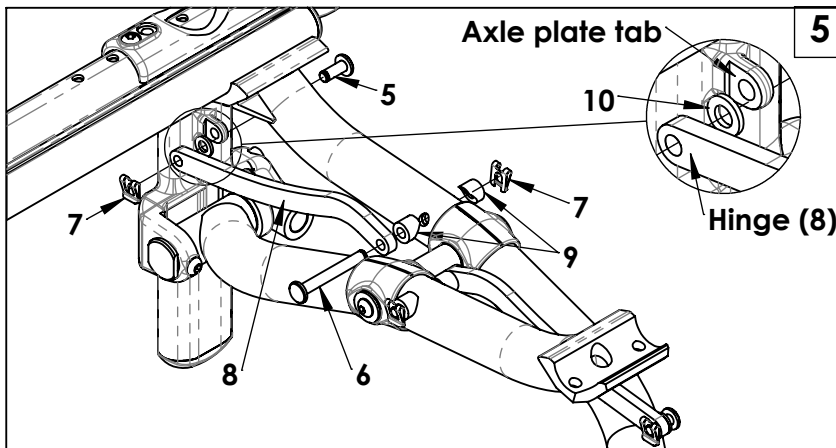


1. Remove old hinges:

- Pull pin clips (7) from the pins (5 & 6), Fig 5. Clips can easily be removed by hand. Discard clips.
- Remove pins (5 & 6), hinge (8), half shell spacers (9), and small washer (10). Discard all.

2. Install new hinges:

- Install new hinge, pins, washer, spacers, and pin clips, Fig 5. Ensure that washer (10) is installed between the hinge and the tab on the axle plate. Install pin clips to pins as shown in Fig 6. Ensure that the clip is seated all the way down and clicks into place. Repeat all steps on opposite side for the other hinge.



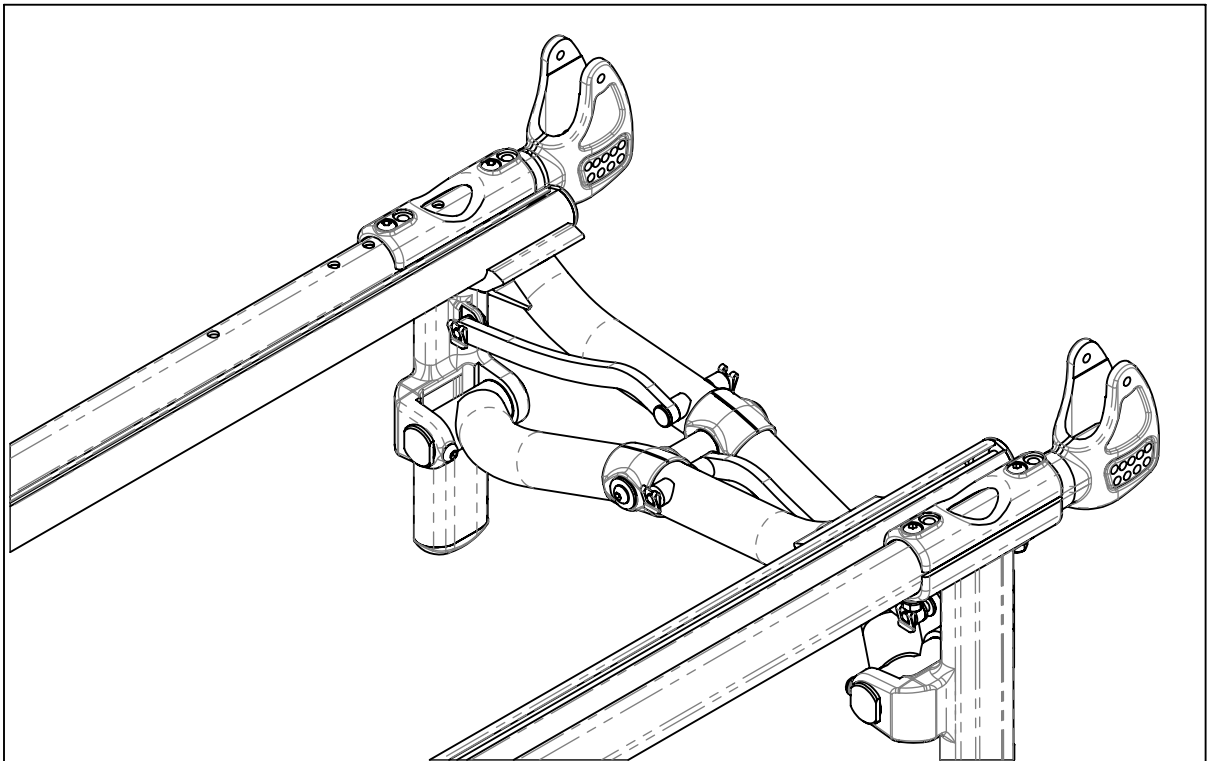
**WARNING****D. INSPECT****1. Double-check orientation and torque on all hardware:**

- a. Ensure that clips are seated properly.
- b. Check screws for proper torque.
- c. Check that the hinges are oriented in the proper direction on both sides.
- d. Check that the chair folds and unfolds smoothly.
- e. See Xenon 2 owner's manual for additional information.

DEALER/TECHNICIAN WARNING**WARNING**

Attention dealers and qualified technicians, do not operate or service this device without first reading the owners manual. If you do not understand the instructions and warnings in the owners manual please contact the Sunrise Medical Technical Support before operating and/or servicing the Quickie device. Failure to do so may result in damage and/or injury.

For more information and important warnings, you can find the Xenon 2 owner's manual at www.Sunrisemedical.com/Help-support.



**Sunrise Medical 2842 N. Business Park Ave Fresno, CA 93727 USA
In Canada (800) 263-3390**