



Please read these instructions carefully before beginning the installation. Failure to understand and follow installation instructions may result in injury to installer and/or end user and may void the warranty. If you have any questions call Sunrise Medical Technical Support at 800-333-4000.

**Push handle parts:**

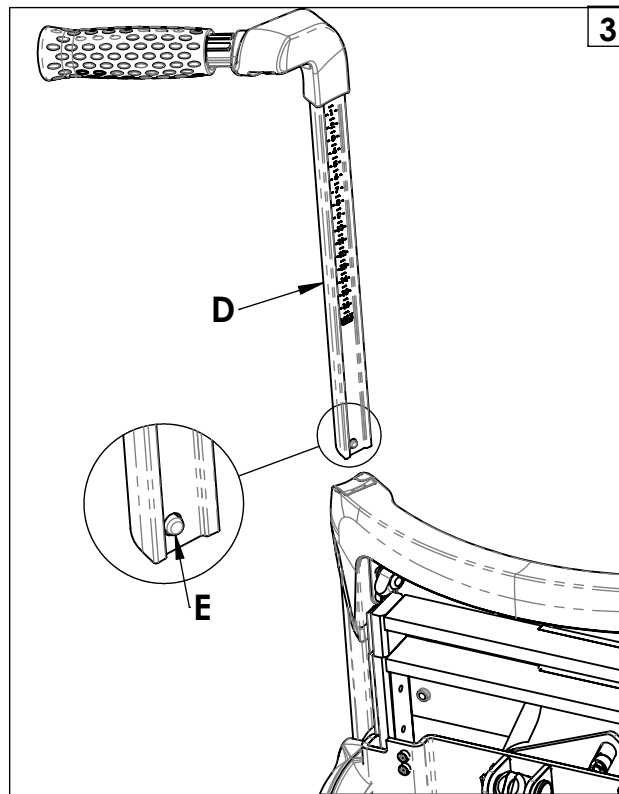
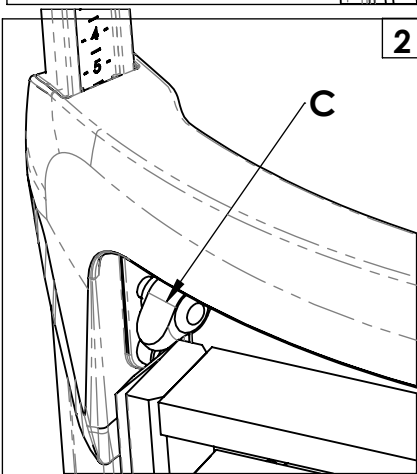
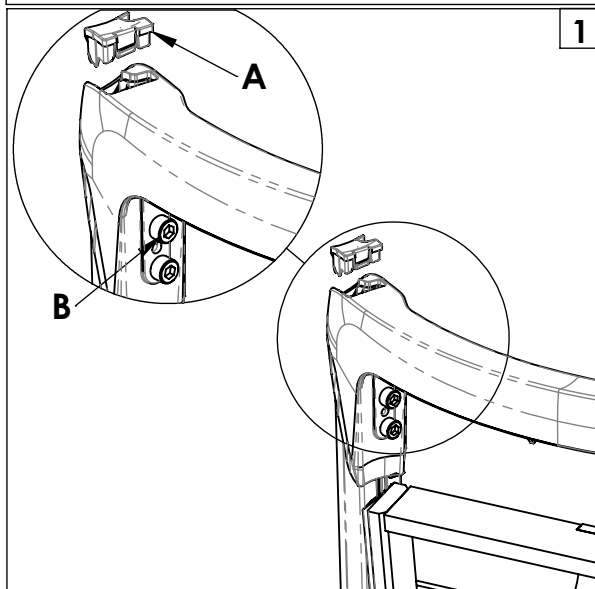
1. 1 ea P/H assembly RH
2. 1 ea P/H assembly LH
3. 2 ea Thumb screw

**Required tools:**

1. 5mm hex key

**A. Installing push handle:**

1. Remove the caps (A) at the top of the backrest, Fig. 1. (If applicable)
2. Remove the top screw (B) from the inside of the backrest using the 5mm hex key, Fig. 1. (If applicable)
3. Replace the screw with the provided thumb screw (C), Fig 2. Leave loose.
4. Insert the push handle (D) into the backrest to desired height. Tighten thumb screw (C), Fig 3. It may be necessary to push in the pin (E) when first inserting the push handle.
5. Repeat steps for the opposite side.



**B. Inspect:**

1. Ensure that thumb screw (C) is tightened securely.

**DEALER/TECHNICIAN WARNING**



**WARNING**  
Attention dealers and qualified technicians, do not operate or service this device without first reading the owners manual. If you do not understand the instructions and warnings in the owners manual please contact the Quickie Technical Service Department before operating and/or servicing the Quickie device. Failure to do so may result in damage and/or injury.

*Find more information and important warnings see the wheelchair owner's manual or at: [www.SunriseMedical.com](http://www.SunriseMedical.com).*