



## SEDEO PRO POWER BACK QUICK RELEASE INSTALLATION INSTRUCTION SHEET



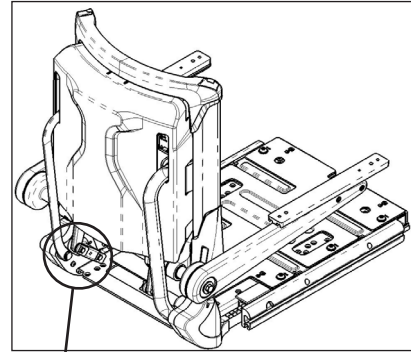
Please read these instructions carefully before beginning the installation. Failure to understand and follow installation instructions may result in injury to installer and/or end user and may void the warranty. If you have any questions call Sunrise Medical Technical Support at (800) 333-4000.

### Quick Release parts:

1. 2 ea armrest link receiver (K)
2. 2 ea M10x1.5 thumb screw (J)
3. 2 ea quick release axle (N)
4. 4 ea M6x16 SHCS (L)
5. 4 ea M6 washer (M)

### Required tools:

1. 5mm hex key
2. 4mm hex key
3. 13mm open box wrench
4. 24mm crescent wrench
5. Phillips screwdriver



### A. Pre-installation

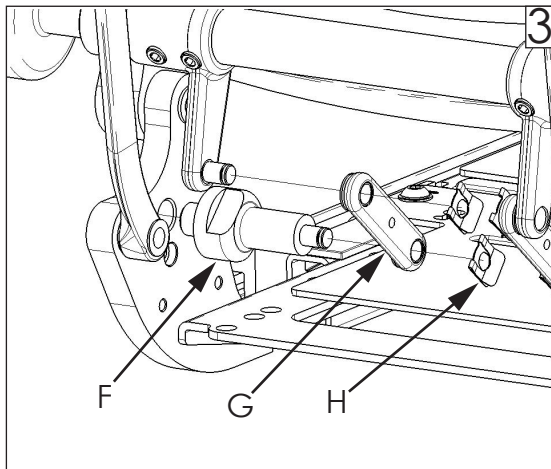
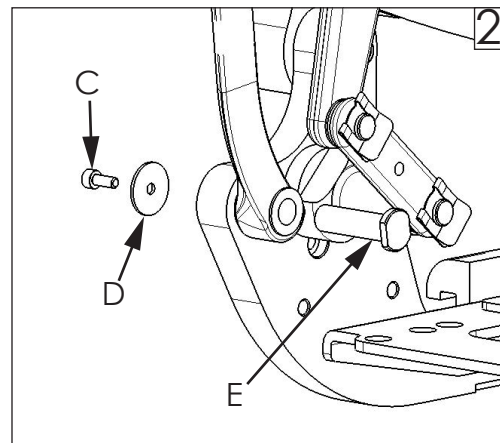
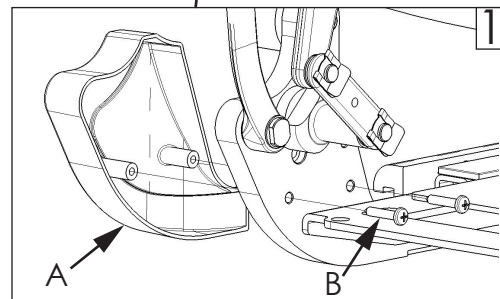
1|2|3

1. Using a Phillips screwdriver, remove the screws (B) mounting the side shroud (A) near the rotational point. Set parts aside, Fig 1.
2. Using a 5mm hex key tool, and 13mm open box wrench, remove the bolt (C), washer (D) and pin (E) holding the recline bar. The pin (E) will need to be held with the wrench while loosening the bolt (C), Fig 2.

### ⚠ Warning

**Note: if the pin (E) is removed on both sides, the back is free to fold forward and backwards. Installation should be done on one side at a time to avoid the back from falling forward or backwards.**

3. Remove the retaining clip (H) that fastens to the connection link receiver (F), and the armrest connection link (G). Set the armrest connection link (G) and the retaining ring (H) aside, Fig 3.
4. Using the 24mm crescent wrench, remove the existing connection link receiver (F).



Sunrise Medical 2842 N. Business Park Ave Fresno, CA 93727 USA  
In Canada (800) 263-3390



Customer service: (800) 333-4000  
or visit [www.SunriseMedical.com](http://www.SunriseMedical.com)

© 2019 Sunrise Medical (US) LLC  
9/2019, 252231 Rev.A Page 1 of 2



## SEDEO PRO POWER BACK QUICK RELEASE INSTALLATION INSTRUCTION SHEET

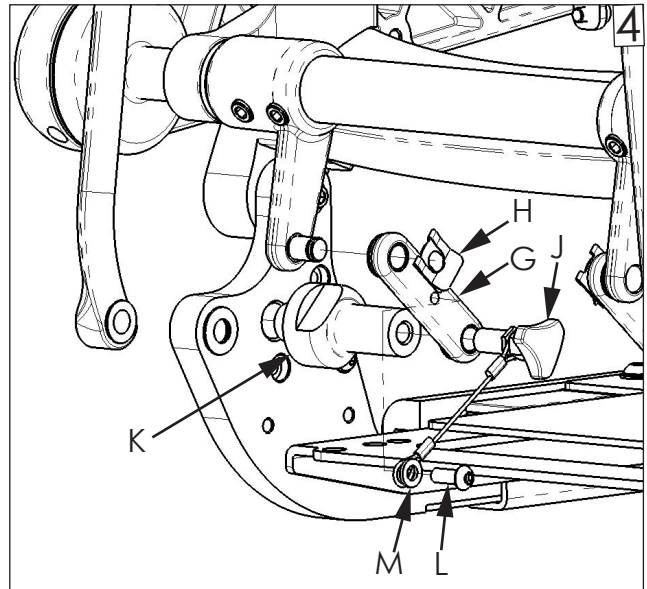


Please read these instructions carefully before beginning the installation. Failure to understand and follow installation instructions may result in injury to installer and/or end user and may void the warranty. If you have any questions call Sunrise Medical Technical Support at (800) 333-4000.

### B. Install armrest Quick Release components

4

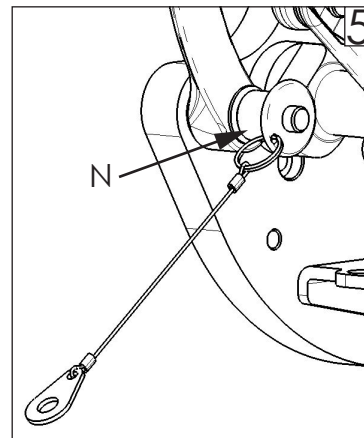
1. Using a 24mm crescent wrench, install the armrest link receiver (K) until snug, then turn an additional half turn.
2. Install and hand tighten the thumb screw (J), and one of the retaining clips (H). Shown in fig 4.
3. Using a 4mm allen hex key tool, install the M6 bolt (L) and washer (M) to fasten the cable to the armrest connection link (G).



### C. Install Quick Release Axle

5/6

1. To install the quick release axle (N), align the recline bar with the original mounting hole, and press the axle through until it locks. Shown in Fig. 5.
2. Using a 4mm allen hex key tool, install the M6 bolt (L) and washer (M) to fasten the cable to the mounting hole shown in Fig 6. Tighten the bolt until it is snug, then turn an additional quarter turn.
3. Repeat all steps in sections A-C on the opposite side.

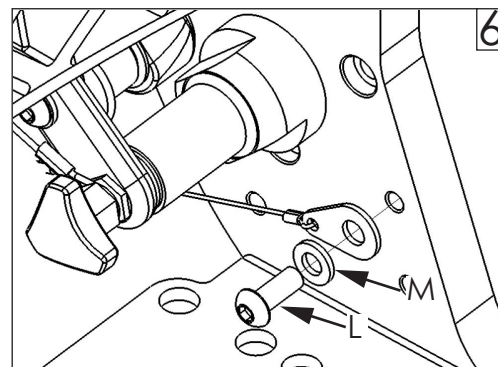


### D. Inspect

1. Verify the thumbscrews (J) are both completely tightened by hand.
2. Pull on the locking axles (N) without pushing the release button, on both sides while keeping a firm grasp on the backrest.

### E. Operation

1. Lift the armrest and remove both thumbscrews (J).
  2. Remove the locking axle (N), by pressing the push release button, on both sides while keeping a firm grasp on the backrest.
  3. Lower the backrest forward.
- Note: the thumbscrew and locking axle will remain attached to the chair on their lanyard.



### ⚠️ DEALER/TECHNICIAN WARNING

Attention dealers and qualified technicians, do not operate or service this device without first reading the owners manual. If you do not understand the instructions and warnings in the owners manual please contact the Quickie Technical Service Department before operating and/or servicing the Quickie device. Failure to do so may result in damage and/or injury.

Find more information and important warnings see the wheelchair owner's manual or at: [www.Sunrisemedical.com](http://www.Sunrisemedical.com).

Sunrise Medical 2842 N. Business Park Ave Fresno, CA 93727 USA  
In Canada (800) 263-3390



Customer service: (800) 333-4000  
or visit [www.SunriseMedical.com](http://www.SunriseMedical.com)

© 2019 Sunrise Medical (US) LLC  
9/2019, 252231 Rev.A Page 2of2