



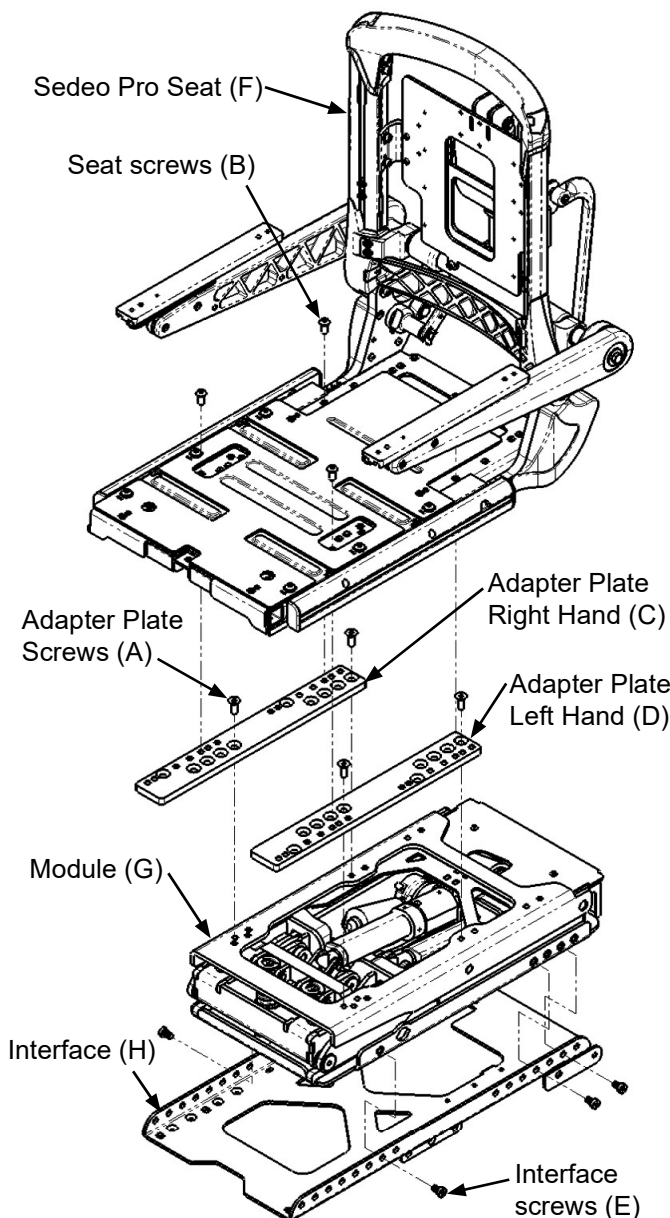
Please read these instructions carefully before beginning the installation. Failure to understand and follow installation instructions may result in injury to installer and/or end user and may void the warranty. If you have any questions call Sunrise Medical Technical Support at (800) 333-4000.

Parts:

1. 4 ea Adapter plate screws (A)
2. 4 ea Seat screws (B)
3. 1 ea Adapter plate RH (C)
4. 1 ea Adapter plate LH (D)
5. 6 ea Interface screws (E)
6. 1 ea Sedeo PRO Seat (F)
7. 1 ea Module (Tilt, Lift, Tilt Lift Combo, Filler) (G)
8. 1 ea Interface (H)

Required tools:




1. 5mm hex key
2. 6mm hex key
3. Torque wrench



A. REMOVE SEAT/ADAPTER PLATES/ MODULE

1. **Remove Seat (F):** Note position of seat screws (B) on the seat (F) as well as the position to the adapter plates (C, D). Remove the 4 seat screws (B) holding the seat to the adapter (C, D) and remove the seat (F) (Fig 1). (Use 5mm hex key)
2. **Remove adapter plates (C and D):** If your chair does not have adapter plates (C, D) skip this step, move on to step 3. Note the position of the adapter screws (A) to the plates (C, D) as well as to the module (G). Remove the 4 screws (A) holding the adapter (C, D) to the module (G) and remove the adapter plates (C, D) (Fig 1). (Use 5mm hex key)
Note- tilt module is shown, but directions apply to all modules (lift, tilt, or tilt lift combo, filler).
3. **Remove module (G):** Note the position of the interface screws (E) to the interface (H) as well as to the module (G). Remove the 6 screws (E) holding the module (G) to the interface (H) and remove the module (G) (Fig 1). (Use 6mm hex key)
4. Note position of all mounting locations if the seat depth is not changing. If the seat depth is changing, see pages 2 to 6.

B. INSTALL SEAT/ADAPTER PLATES/MODULE

1. **Install module (G) to the interface (H)** using the interface screws (E). See page 2 for mounting location. Torque to 13.6-14.9Nm [120-132 in-lbs]. 
2. **Install adapter plates (C, D) to module (G).** If adapter plates (C, D) are not used, skip this step and move on to step 3. See pages 3-6 for mounting location. Torque to 13.6-14.9Nm [120-132 in-lbs]. 
3. **Install seat (F) to the adapter plates (C, D) or the module (G)** using the seat screws (B). See pages 3-5 for mounting location, and page 6 for seat depth detail. Torque to 13.6-14.9Nm [120-132 in-lbs]. 

C. INSPECT:

1. All torque values with a torque wrench.
2. Ensure that all the wire harnesses are out of the way and are not being pinched.
3. Verify that the harnesses are not put under tension in any position.
4. Ensure that the screws were installed in the same location as they were before removal or are installed to new seat depth locations as specified from the seating charts.

▲ DEALER/TECHNICIAN WARNING

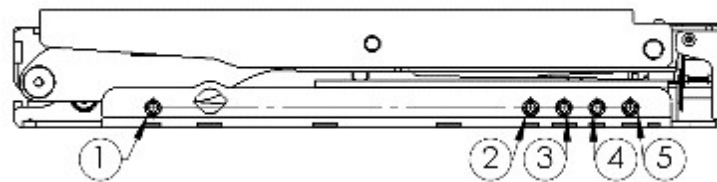
Attention dealers and qualified technicians, do not operate or service this device without first reading the owner's manual. If you do not understand the instructions and warnings in the owner's manual please contact the Quickie Technical Service Department before operating and/or servicing the Quickie device. Failure to do so may result in damage and/or injury.

Find more information and important warnings in the wheelchair owner's manual or at: www.SunriseMedical.com

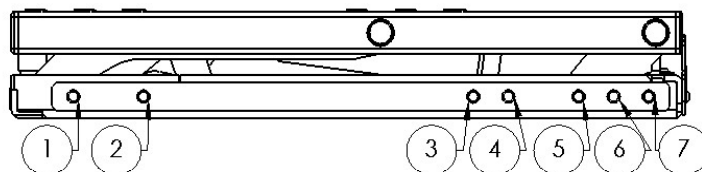
Q500H Module to Interface Mounting

Without adapter plates	
Module	Module to interface
Tilt (14-in seat depth)	1-E 5-M 7-O
Tilt (15-in to 22-in seat depth)	1-D 5-L 7-N
Lift/TLC	1-G 2-M 5-O

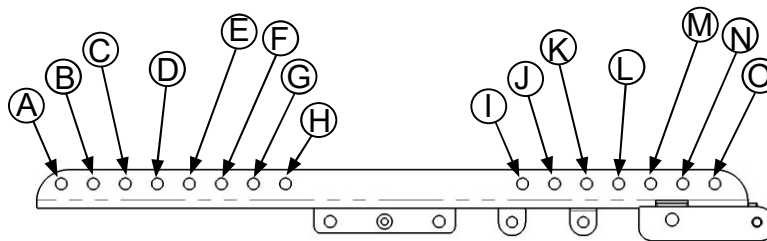
← FRONT OF CHAIR



Tilt/ Tilt Lift Combo (TLC)



Tilt



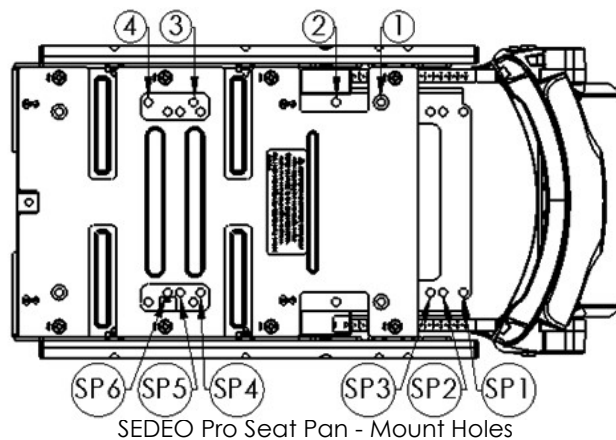
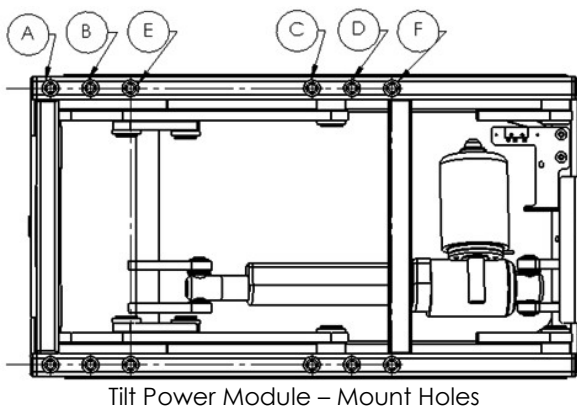
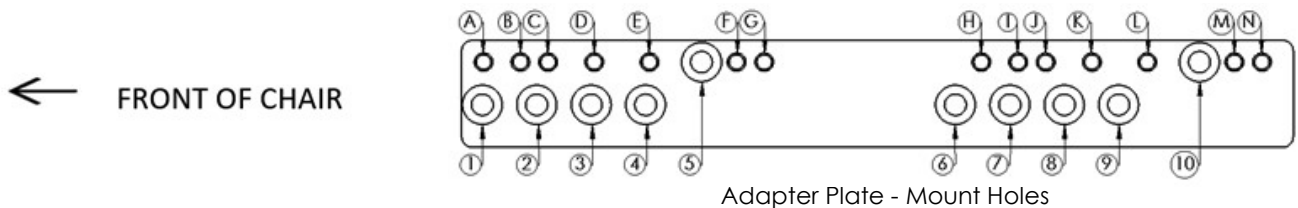
Interface

Q500H SEDEO Pro Seat Mounting Matrix

Tilt Power Module

No Adapter Plates				
Seat Depth	Backrest Position	Module	Adapter Plate to Module	Seat Pan to Module
14	1	Tilt	N/A	3-E 1-F
15	3	Tilt	N/A	3-E 1-F
16	5	Tilt	N/A	3-E 1-F
17	8	Tilt	N/A	3-E 1-F
18	10	Tilt	N/A	4-A 2-C
19	13	Tilt	N/A	3-B 1-D
20	15	Tilt	N/A	3-A 1-C

With Adapter Plates				
Seat Depth	Backrest Position	Module	Adapter Plate to Module	Seat Pan to Adapter plate
19	13	Tilt	5-B 10-D	4-D 2-K
20	15	Tilt	5-B 10-D	4-C 2-J
21	18	Tilt	5-B 10-D	4-A 2-H
22	20	Tilt	5-B 10-D	3-C 1-J



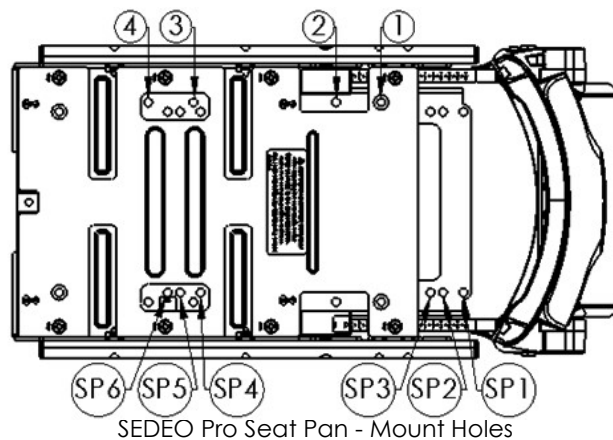
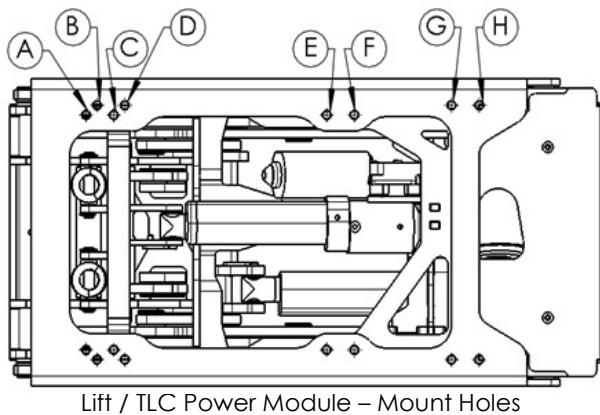
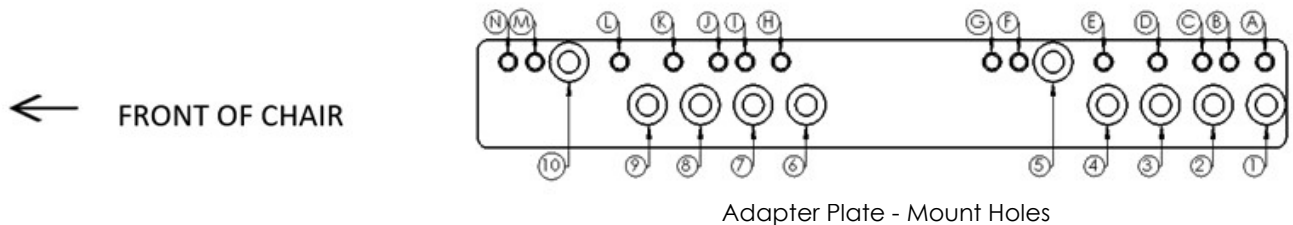


Q500[®] H SEDEO[®] PRO SEAT MOUNTING MATRIX

Q500H SEDEO Pro Seat Mounting Matrix Lift / Tilt Lift Combo (TLC) Power Module

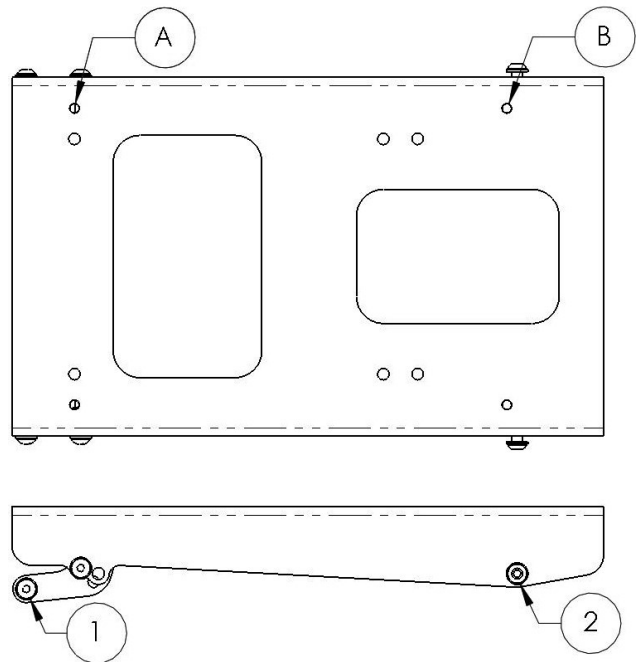
With Adapter Plates				
Seat Depth	Backrest Position	Module	Adapter Plate to Module	Seat Pan to Adapter plate
14	1	Lift/ TLC	6-A 1-E	4-I 2-B
15	3	Lift/ TLC	6-A 1-E	4-I 2-B
16	5	Lift/ TLC	6-A 1-E	4-J 2-C
17	8	Lift/ TLC	6-A 1-E	4-K 2-D

With Adapter Plates				
Seat Depth	Backrest Position	Module	Adapter Plate to Module	Seat Pan to Adapter plate
18	10	Lift/ TLC	6-A 1-E	3-I 1-B
19	13	Lift/ TLC	6-A 1-E	3-K 1-D
20	15	Lift/ TLC	6-A 1-E	4-N 2-G
21	18	Lift/ TLC	6-A 1-E	3-M 1-F
22	20	Lift/ TLC	6-A 1-E	3-M 1-F

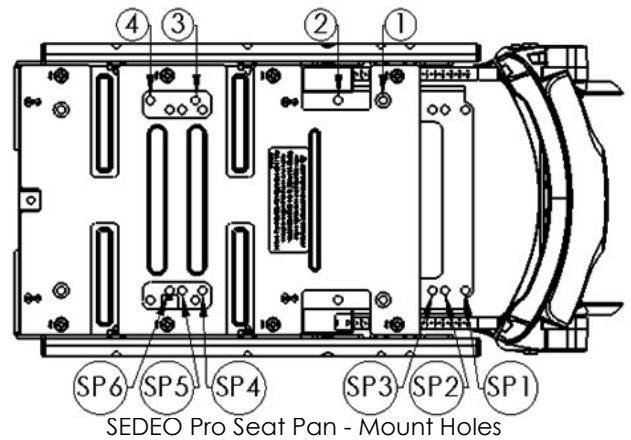


Q500H SEDEO Pro Seat Mounting Matrix
Filler Module

Seat Depth	Backrest Position	Module	Filler Module to Interface	Seat Pan to Filler Module
14	1	Filler	1-G 2-M	SP6-A SP3-B
15	3	Filler	1-G 2-M	SP6-A SP3-B
16	5	Filler	1-G 2-M	SP6-A SP3-B
17	8	Filler	1-G 2-M	SP5-A SP2-B
18	10	Filler	1-G 2-M	SP4-A SP1-B
19	13	Filler	1-D 2-J	SP4-A SP1-B
20	15	Filler	1-D 2-J	SP6-A SP3-B
21	18	Filler	1-C 2-I	SP5-A SP2-B
22	20	Filler	1-C 2-I	SP6-A SP3-B

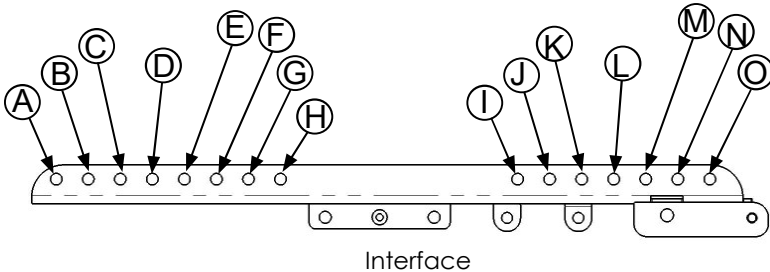


Filler Module



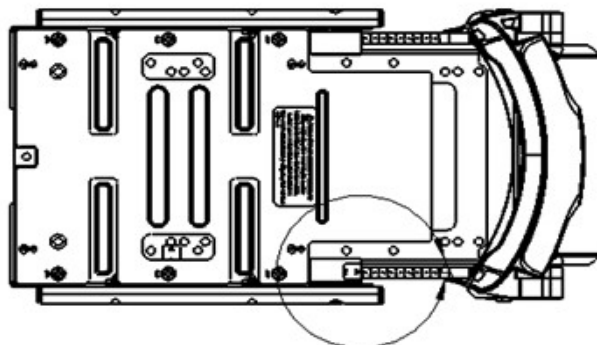
SEDEO Pro Seat Pan - Mount Holes

← FRONT OF CHAIR

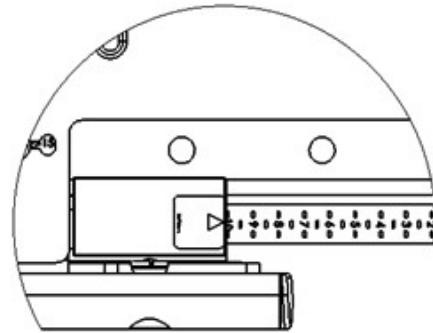


Interface

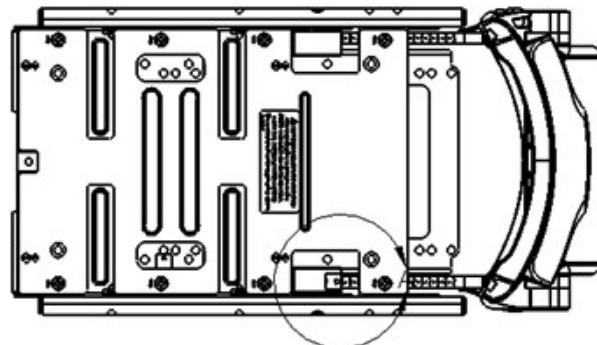
SEDEO Pro Backrest Seat Depth Adjustment
Seat Depth Detail



Short Seat Pan



← FRONT OF CHAIR



Long Seat Pan

