



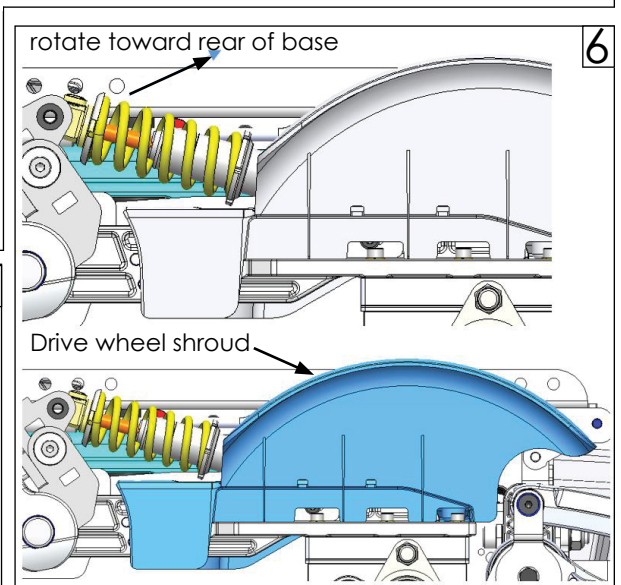
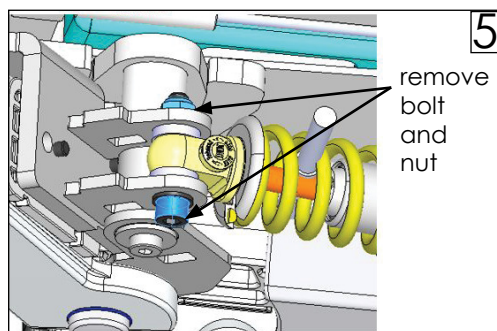
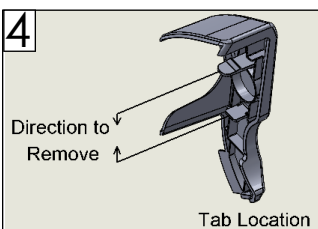
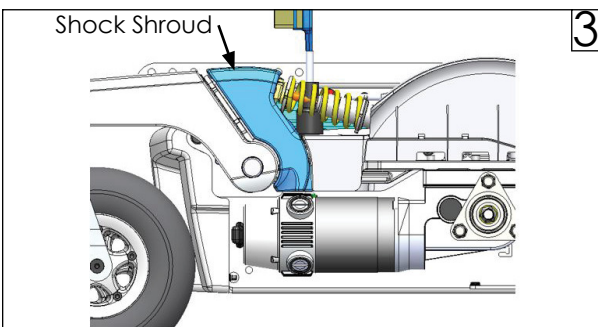
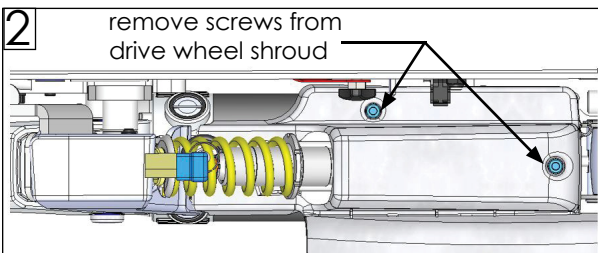
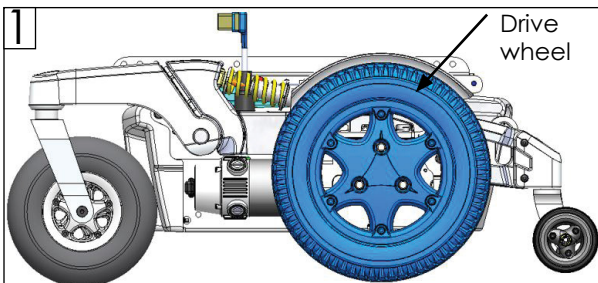
Q500 H DRIVE WHEEL SHROUD REMOVAL INSTRUCTION SHEET



Please read these instructions carefully before beginning the assembly. Failure to understand and follow assembly instructions may result in injury to technician and/or end user and may void the warranty. If you have any questions call Sunrise Medical Technical Support at +1 (800) 333-4000.

Tools required

- | | |
|---------------------------|-----------------------|
| 1. 5mm Allen Wrench | 4. 13mm Wrench |
| 2. 6mm Allen Wrench | 5. 18mm Socket Wrench |
| 3. Flat head screw driver | 6. Torque Wrench |



A. Removing the Drive Wheel and Drive Wheel Shroud

1. Position the wheelchair on a lift so that it can be raised such that the drive wheel is not on the ground. Remove the Drive Wheel using 18mm socket wrench (Fig 1).
2. Remove two screws that secure the drive wheel shroud using a 5mm allen wrench (Fig 2).
3. Remove shock shroud. Press in on the tabs that attach the shroud to the base, then remove shroud. Use a flat head screw driver to reach the back of the shroud and release the tab (Fig 3 and Fig 4).
4. Remove bolt and nut that secure the front side of the suspension shock using 13mm wrench and 6mm allen wrench (Fig 5).
5. Rotate the suspension shock toward the rear of the base, then remove the drive wheel shroud (Fig 6).

B. Attaching the Drive Wheel and Drive Wheel Shroud

1. Position the drive wheel fender over the suspension shock (opposite of step 5).
2. Rotate the shock into position (toward the front of the wheelchair, opposite of step 5).
3. Install the bolt and nut that were removed in step 4. Torque to 22Nm (16 ft-lbs).
4. Install the two screws removed in step 2. Torque to 3Nm (2.5 ft lbs).
5. Install the shock shroud that was removed in step 3.
6. Install the drive wheel and lug nuts. Torque to 34Nm (25 ft lbs).

DEALER/TECHNICIAN WARNING

Attention dealers and qualified technicians, do not operate or service this device without first reading the owners manual. If you do not understand the instructions and warnings in the owners manual please contact the Quickie Technical Service Department before operating and/or servicing the Quickie device. Failure to do so may result in damage and/or injury.

Find more information and important warnings see the wheelchair owner's manual or at: www.SunriseMedical.com.

Sunrise Medical 2842 N. Business Park Ave Fresno, CA 93727 USA



Customer service: +1(800) 333-4000
or visit www.SunriseMedical.com

© 2020 Sunrise Medical (US) LLC
09/2020 253452 Rev. A Page 1 of 1