



# Q300M SUSPENSION SPRING REPLACEMENT



Please read these instructions carefully before beginning the assembly. Failure to understand and follow assembly instructions may result in injury to technician and/or end user and may void the warranty. If you have any questions call Sunrise Medical Technical Support at +1 (800) 333-4000.

### Suspension spring kit (two kits required):

- |                              |                               |
|------------------------------|-------------------------------|
| 1. FRONT SHOCK (spring) (x1) | 6. CASTER ARM ROLLER (x1)     |
| 2. HHCS M6x12 (x2)           | 7. 5 mL of Loctite 243 (x1)   |
| 3. M6 FLAT WASHER (x2)       | 8. * SHCS M8x16 (x3)          |
| 4. HHCS M12x88 (x1)          | 9. *M8 LARGE FLAT WASHER (x3) |
| 5. M12 FLAT WASHER (x1)      |                               |

\* included in kit, not needed for this replacement

### Required tools:

- 6mm hex key
- Torque wrench
- 13mm crescent wrench
- Socket wrench: 10mm, 16mm, and 18mm
- Linear measuring instrument with a resolution of 1mm

**Note: Some parts are not shown in drawings for clarity.**

## A. PRE-INSTALLATION 1 2 3

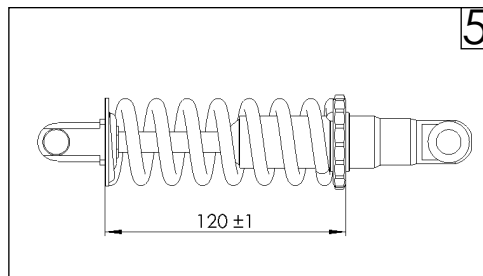
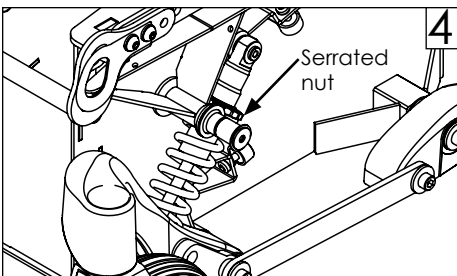
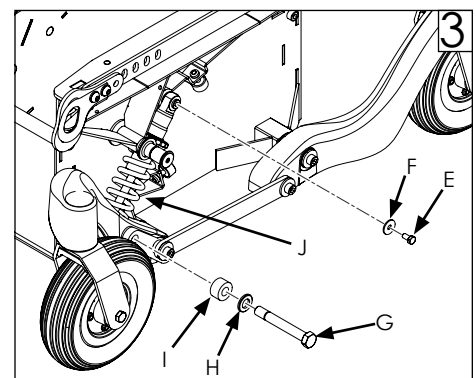
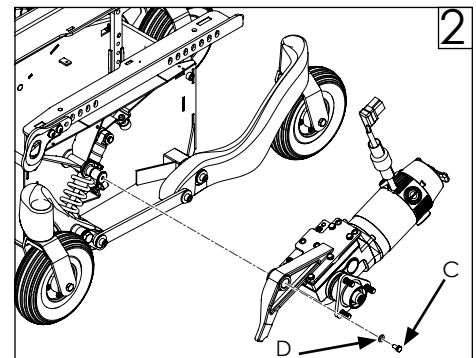
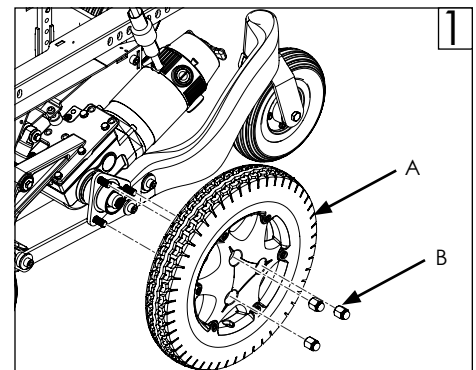
- Remove spring:
  - Using 16mm socket wrench, remove drive wheel (A). Set wheel and lug nuts (B) aside.
  - Using 10mm socket wrench, remove the motor and motor mount by removing the bolt (C) and washer (D).
  - Next, remove bolts (E and G) to remove the spring (J). Using 10mm socket wrench, remove bolt E and washer (F). Using a 18mm socket wrench, remove bolt (G), washer (H), and roller (I). Then, remove spring (J).
  - Complete same steps on opposite side of chair.

## B. INSTALLING NEW SUSPENSION SPRING 1 2 3 4 5

- Complete section A steps 1a through 1d in reverse, using new spring and hardware from kit.
  - Screw down the serrated nut on the suspension spring (J). Spring should be compressed to 120 +/-1mm. (Fig 4 and Fig 5)
  - Attach new spring to the mounting holes using new roller (I), new washers (F and H), and new bolts (E and G). Apply two drops of Loctite 243 to the threads of bolt E and torque to 30 Nm +/- 10% [22.13 ft-lbs +/- 10%]. Apply two drops of Loctite 243 to the threads of bolt G and torque to 50 Nm +/- 10% [36.88 ft-lbs +/- 10%].  
Note: Ensure that the serrated nut end is up. (Fig 4)
  - Attach the motor and motor mount using new bolt (C) and washer (D).
  - Replace drive wheel (A). Torque lug nuts (B) to 33.9 Nm [25 ft-lbs +2/-0].
  - Complete same steps on opposite side of chair.

## C. INSPECT

- Suspension spring is oriented in the correct direction.
- All hardware has the correct torque.



## **⚠️ DEALER/TECHNICIAN WARNING**

Attention dealers and qualified technicians, do not operate or service this device without first reading the owner's manual. If you do not understand the instructions and warnings in the owner's manual please contact the Quickie Technical Service Department before operating and/or servicing the Quickie device. Failure to do so may result in damage and/or injury.

Find more information and important warnings in the wheelchair owner's manual or at: [www.SunriseMedical.com](http://www.SunriseMedical.com).

**Sunrise Medical 2842 N. Business Park Ave Fresno, CA 93727 USA In Canada: (800) 263-3390**



**Customer Service: +1(800) 333-4000  
or visit [www.SunriseMedical.com](http://www.SunriseMedical.com)**

© 2022 Sunrise Medical (US) LLC  
06/2022 254870 Rev. A