



# TILT ACTUATOR REPLACEMENT Q200R INSTRUCTION SHEET



Please read these instructions carefully before beginning the assembly. Failure to understand and follow assembly instructions may result in injury to technician and/or end user and may void the warranty. If you have any questions call Sunrise Medical Technical Support at +1 (800) 333-4000.

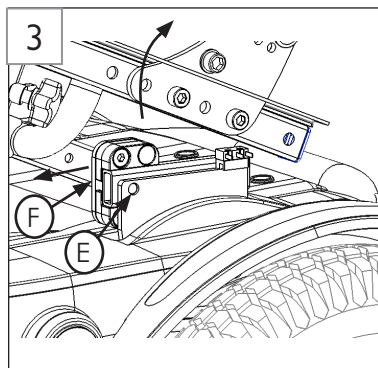
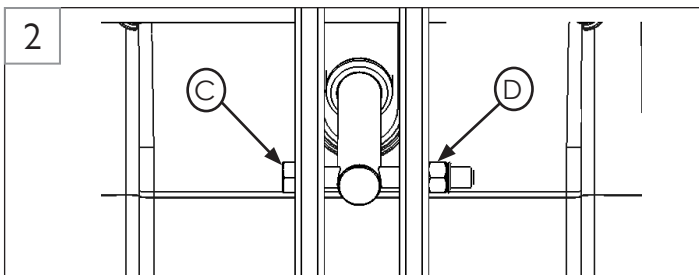
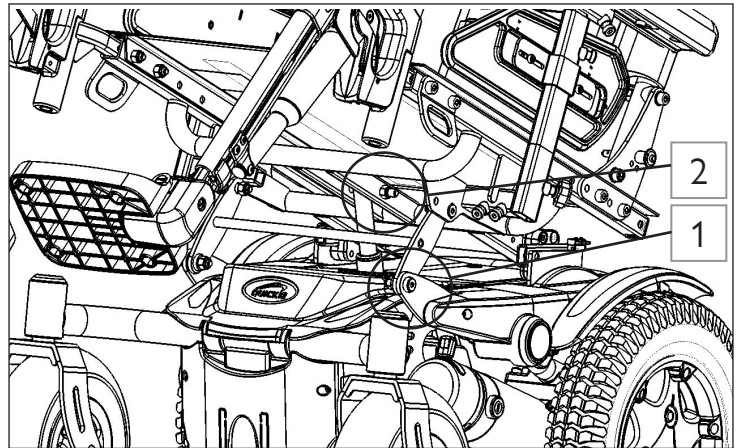
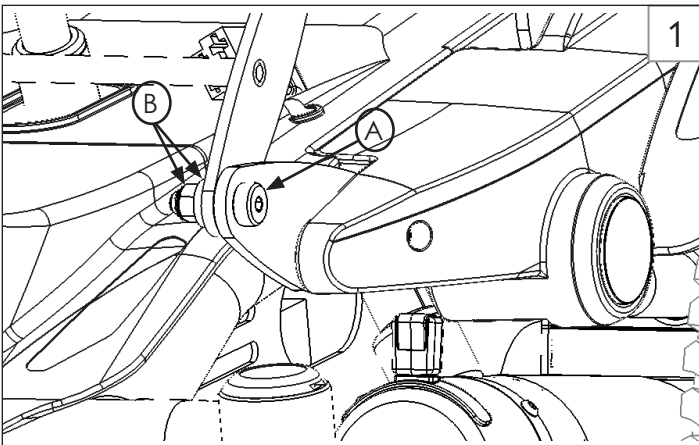
**Parts included:**

1. 1 ea Tilt Actuator (M)
2. 1 ea M8x75 HHCS Shoulder bolt (C)
3. 1 ea M6x30 SHCS shoulder bolt (K)

4. 1 ea M6 Nut (D)
5. 1 ea M8 Nut (L)

**Required tools:**

1. 5mm hex key
2. 2x 13mm socket wrench or wrench
3. 4mm hex key
4. 10mm socket wrench
5. Torque wrench



Note: place a rag between the mudguard and the seat rails

**A. Replacing the Tilt Actuator on a Q200R**

1. Remove Bolt (A), Washer and Nut (B) on both the left and right sides. (Fig 1)
2. Remove Bolt (C) and Nut (D) from tilt actuator. (Fig 2)  
Note: extending the tilt will help with accessing the bolts.
3. Manually tilt the seat frame back. Place a cloth on top of the mudguard to protect the shroud and decal. Pull the seat forward on the rear slide block (F) until it reaches the rear mount stopping pin (E) as shown in figure 3.

**⚠️ DEALER/TECHNICIAN WARNING**

Attention dealers and qualified technicians, do not operate or service this wheelchair without first reading the owners manual. If you do not understand the instructions and warnings in the owners manual please contact the Sunrise Medical Technical Service Department before operating and/or servicing the Zippie wheelchair. Failure to do so may result in damage and/or injury.

Find more information and important warnings see the wheelchair owner's manual or at: [www.SunriseMedical.com](http://www.SunriseMedical.com).

Sunrise Medical 2842 N. Business Park Ave Fresno, CA 93727 USA

Customer service: +1(800) 333-4000  
or visit [www.SunriseMedical.com](http://www.SunriseMedical.com)



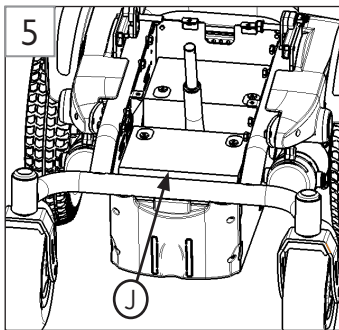
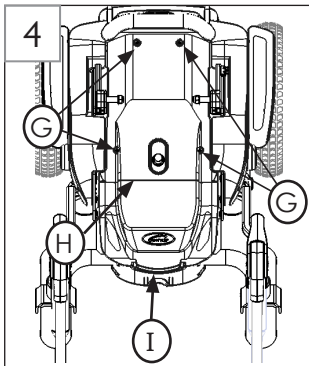
© 2021 Sunrise Medical (US) LLC  
02/2022 255572 Rev.A Page 1 of 2



## TILT ACTUATOR REPLACEMENT Q200R INSTRUCTION SHEET

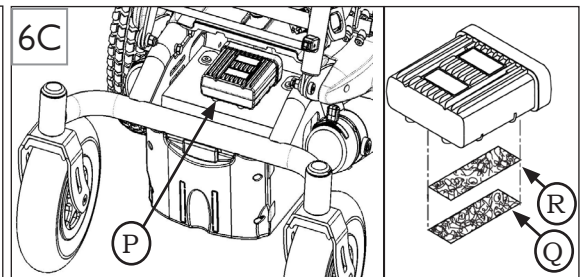
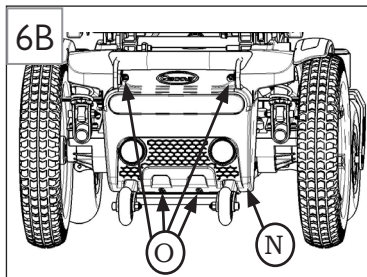
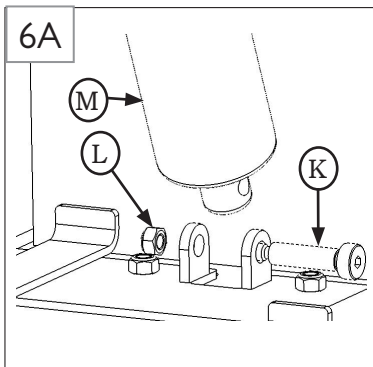


Please read these instructions carefully before beginning the assembly. Failure to understand and follow assembly instructions may result in injury to technician and/or end user and may void the warranty. If you have any questions call Sunrise Medical Technical Support at +1 (800) 333-4000.



### A. Replacing the Batteries on a Q200R with Tilt (continued)

- Remove front battery cover (I) by lifting up and forward on the front hand grip. Remove the back battery cover (H) by removing the 4 screws (G). (Fig 4) Note: retracting the tilt actuator will help with removing the battery cover.
- Disconnect the battery harnesses from the front and rear battery. Use the handles on the front battery (J) to lift it out of the battery box. (Fig 5)
- Unplug actuator harness from controller or ism. The controller is located behind the rear shroud (N). To remove the rear shroud and access the controller, remove 4 screws (O) shown in figure 6B. The ism (P) is mounted on the front battery with adhesive hook and loop (Q and R) shown in figure 6C.
- Remove the bolt (K) and nut (L) shown in Figure 6A to remove the tilt actuator (M). Install the new tilt actuator, new shoulder bolt (K), and new nut (L), torque to 3-4 Nm.
- Replace the front battery and re-install battery harnesses. Refer to the battery schematic located inside of the battery shroud (H) removed in step 4.
- Re-install the battery cover using the previous 4 screws (G). Torque to 4-6 Nm.
- Lower the seat and install the new bolt (C) and new nut (D) to the tilt actuator. Torque to 4-5 Nm. (Fig 2)
- Re-install Bolt (A), Washer and Nut (B) on both the left and right sides. Torque to 6-8 Nm. (Fig 1)
- Slide the front battery cover (I) back, and push down on the front hand grip to latch. (Fig 4)



### DEALER/TECHNICIAN WARNING

Attention dealers and qualified technicians, do not operate or service this wheelchair without first reading the owners manual. If you do not understand the instructions and warnings in the owners manual please contact the Sunrise Medical Technical Service Department before operating and/or servicing the Zippie wheelchair. Failure to do so may result in damage and/or injury. Find more information and important warnings see the wheelchair owner's manual or at: [www.SunriseMedical.com](http://www.SunriseMedical.com).

Sunrise Medical 2842 N. Business Park Ave Fresno, CA 93727 USA



Customer service: +1(800) 333-4000  
or visit [www.SunriseMedical.com](http://www.SunriseMedical.com)

© 2021 Sunrise Medical (US) LLC  
02/2022 255572 Rev.A Page 2 of 2