



Please read these instructions carefully before beginning the assembly. Failure to understand and follow assembly instructions may result in injury to technician and/or end user and may void the warranty. If you have any questions call Sunrise Medical Technical Support at +1 (800) 333-4000.

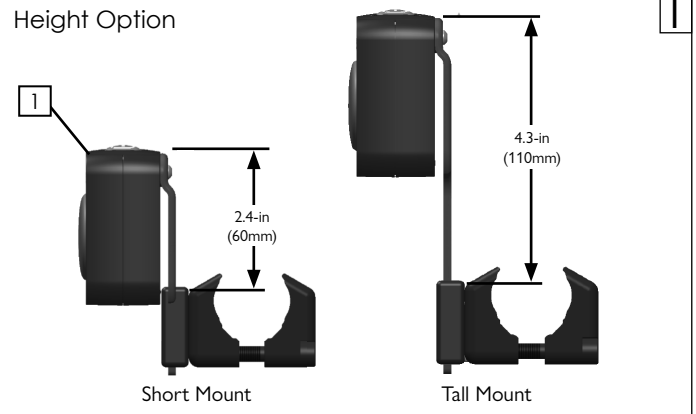
Tools required

- | | |
|--------------------------------------------------|-----------------------|
| 1. Flat head screw driver
(to remove battery) | 3. 2.5mm Allen wrench |
| 2. 2mm Allen wrench | 4. 5mm Allen wrench |

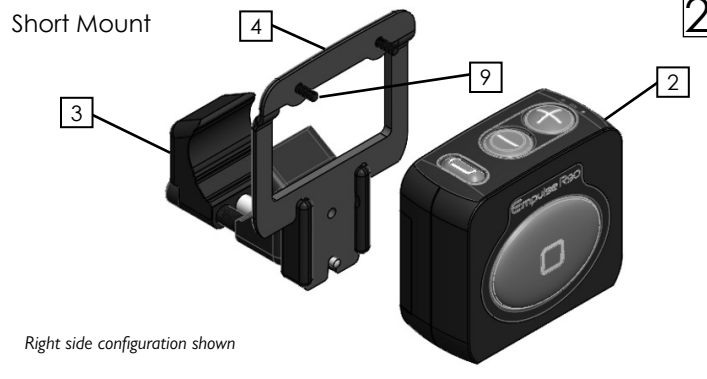
Parts

- | | |
|----------------------------------------------------|---------------------------|
| 1. R90 Control Box including Mount (Right or Left) | 4. Vertical Bracket Short |
| 2. R90 Control Box (Right or Left) | 5. Vertical Bracket Tall |
| 3. R90 Control Box Mount (includes items 4-8) | 6. SHCS M6x35 (x2) |
| | 7. SHCS M6x40 (x2) |
| | 8. SHCS M6x45 (x2) |
| | 9. M3x10 BHCS (x2) |

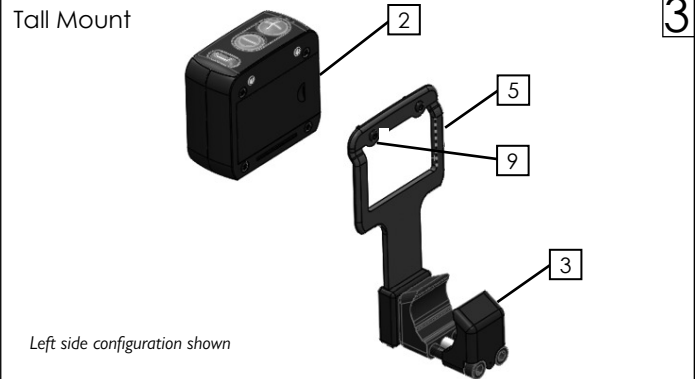
Height Option



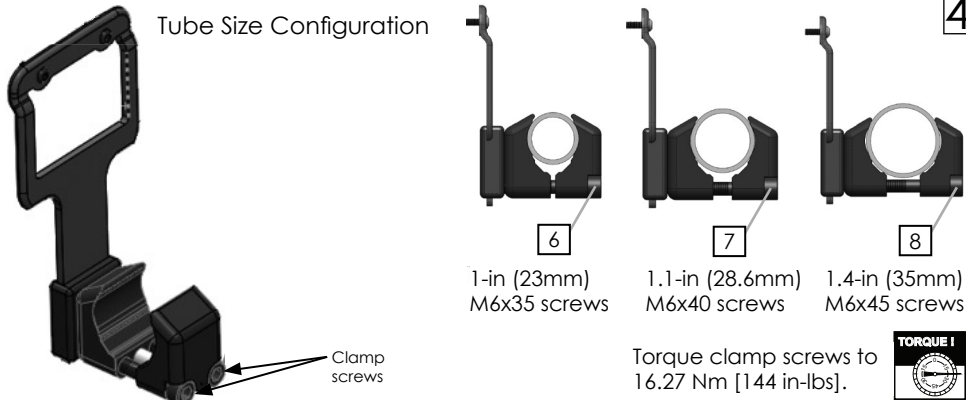
Short Mount



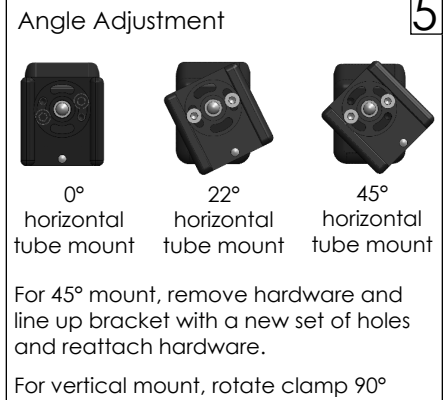
Tall Mount



Tube Size Configuration



Angle Adjustment



DEALER/TECHNICIAN WARNING

Attention dealers and qualified technicians, do not operate or service this device without first reading the owners manual. If you do not understand the instructions and warnings in the owners manual please contact the Sunrise Medical Technical Service Department before operating and/or servicing the Empulse device. Failure to do so may result in damage and/or injury.

Find more information and important warnings in the device owner's manual or at: www.SunriseMedical.com.