



## SEDEO® PRO ADVANCED BACK SHROUD

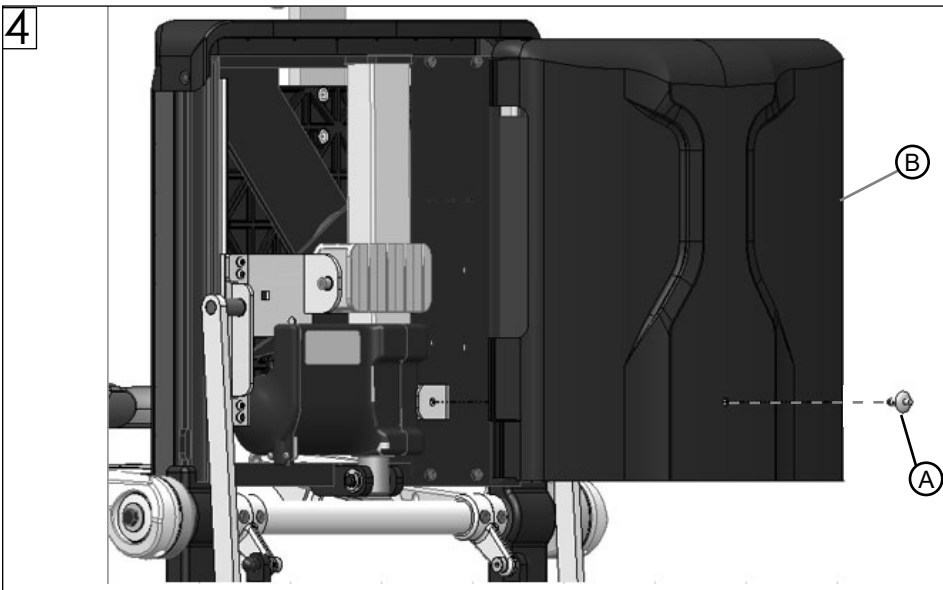
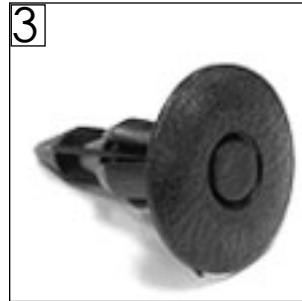


Please read these instructions carefully before beginning the assembly. Failure to understand and follow assembly instructions may result in injury to technician and/or end user and may void the warranty. If you have any questions call Sunrise Medical Technical Support at +1 (800) 333-4000.

### Parts:

1. Shroud

2. Rivet



1. Remove backrest shroud:
  - a. Press center of push rivet in to release. (Fig 1)
  - b. Pull rivet (A) out of mounting hole. (Fig 2)
  - c. Remove backrest shroud (B). (Fig 4)
2. Place backrest shroud:
  - a. Pull center of push rivet out. (Fig 2)
  - b. Insert push rivet into backrest shroud mounting hole and mounting bracket hole. (Fig 4)
  - c. Push center of push rivet to secure backrest shroud. (Fig 3)

### DEALER/TECHNICIAN WARNING

Attention dealers and qualified technicians, do not operate or service this device without first reading the owners manual. If you do not understand the instructions and warnings in the owners manual please contact the Quickie Technical Service Department before operating and/or servicing the Quickie device. Failure to do so may result in damage and/or injury.

Find more information and important warnings in the wheelchair owner's manual or at: [www.SunriseMedical.com](http://www.SunriseMedical.com).

**Sunrise Medical 2842 N. Business Park Ave Fresno, CA 93727 USA In Canada: (800) 263-3390**



**Customer Service: +1(800) 333-4000  
or visit [www.SunriseMedical.com](http://www.SunriseMedical.com)**

© 2022 Sunrise Medical (US) LLC  
03/2022 255937 Rev. A  
Page 1 of 1