



## NITRUM® AXLE PLATE LINER INSTALLATION



Please read these instructions carefully before beginning the assembly. Failure to understand and follow assembly instructions may result in injury to technician and/or end user and may void the warranty. If you have any questions call Sunrise Medical Technical Support at +1 (800) 333-4000.

### Parts Kit:

1. AXLE PLATE LINER (x2)
2. BHCS M8 x 1.25 x 12 FULL PL (x2)
3. SET SCREW M8 X 16 DOG PT (x2)

### Required tools:

1. 3mm Allen wrench
2. 4mm Allen wrench
3. Torque wrench

The following instructions are for installing the Axle Plate Liner for the Quickie Nitrum.

### ⚠ WARNING

- Faulty adjustments, or adjustments that have not been carried out correctly, may cause damage to the wheelchair or result in a fall and severe injuries to the user and other people.
- Wherever torque settings are specified, it is strongly recommended that a torque wrench (not included) be used to verify correct torque specification is achieved.
- Some of the screws that are used during manufacture are fitted with threadlock (blue or yellow dot on the thread) and can be undone and tightened again up to three times before they must be replaced with new screws and threadlock.

### A. Removing the Axle Plate

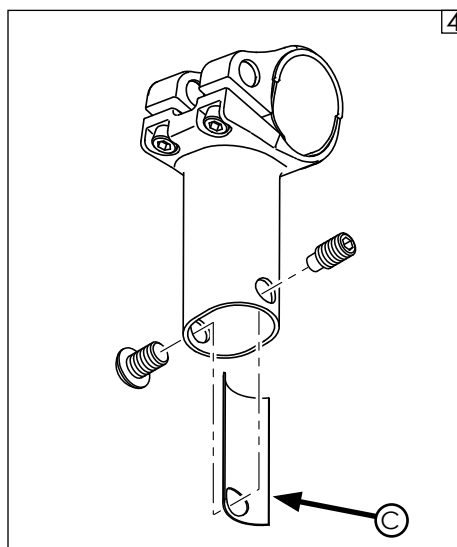
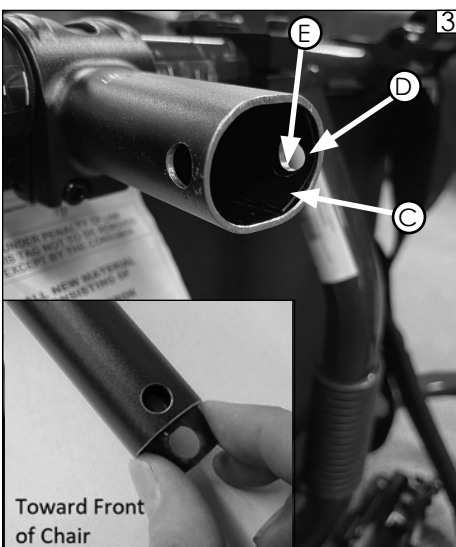
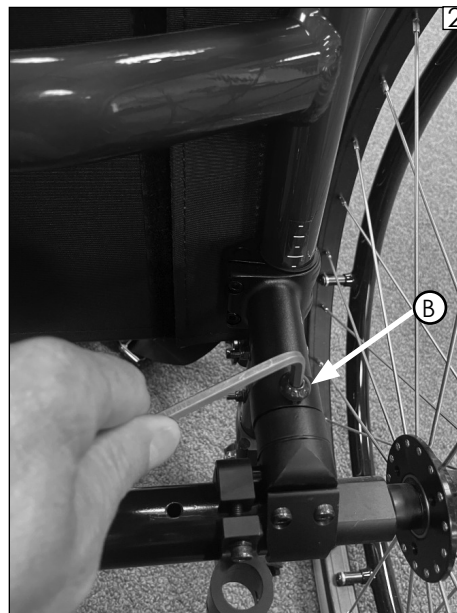
1. Remove the camber tube assembly by loosening the set screw (A) and BHCS (B) on the bottom of both axle plates. (Fig 1 and Fig 2)
2. Carefully remove camber tube assembly and set aside.
3. Turn chair upside down for better access to bottom of axle plates.

### B. Installing Axle Plate Liner

1. Remove clear adhesive film from axle plate liner.
2. Adhere liner (C) to the front inside surface of axle plate. Make sure to align hole cut out in liner (D) with hole in axle plate (E). Adhere liner to both axle plates. (Fig 3 and Fig 4)

### C. Re-Install Camber Tube Assembly

1. Using new fasteners supplied in axle plate liner kit, install camber tube assembly back into axle plates. Tighten all hardware to 5 Nm (44 in-lb).



### ⚠ DEALER/TECHNICIAN WARNING

Attention dealers and qualified technicians, do not operate or service this device without first reading the owner's manual. If you do not understand the instructions and warnings in the owner's manual please contact the Quickie Technical Service Department before operating and/or servicing the Quickie device. Failure to do so may result in damage and/or injury.

Find more information and important warnings in the wheelchair owner's manual or at: [www.SunriseMedical.com](http://www.SunriseMedical.com)



Customer Service: +1 (800) 333-4000  
In Canada (800) 263-3390  
or visit [www.SunriseMedical.com](http://www.SunriseMedical.com)

© 2023 Sunrise Medical (US) LLC  
07/2023 P/N 257049 Rev. A  
Pg 1 of 1