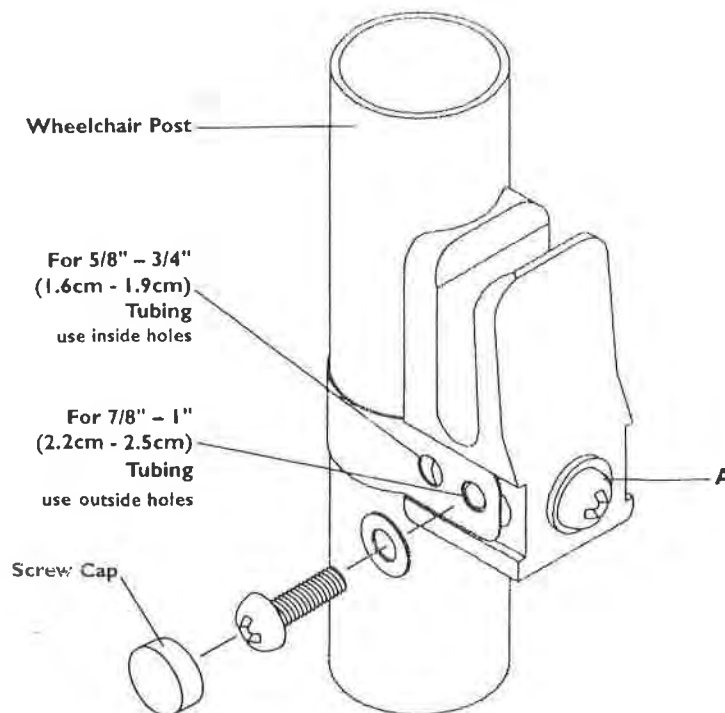


Bottom Universal Post Bracket (680C)

The 680C is used as Bottom Universal Post Bracket hardware for all J2 series Backs, the Jay Care Back and the Modular Back.

Tools required: #2 Phillips head screwdriver.

1. Remove the upholstery from the back of the wheelchair.
2. Attach one bottom universal post bracket to the bottom of each back post of the wheelchair.
 - a. The universal hardware is designed to fit on 5/8", 3/4", 7/8" and 1" (1.6, 1.9, 2.2 and 2.5 cm) diameter back post tubing. (The bracket comes assembled to attach to 7/8" or 1" (2.2 or 2.5 cm) tubing) Check the diagram below to determine which strap hole is appropriate for the installation. Wrap the strap around the wheelchair post. Screw "A" may have to be loosened to align the strap hole with the barrel nut located inside the bracket body. Place a washer on screw "B" and insert the screw through the appropriate hole in the strap. " "
 - b. Tighten screw "B" into the barrel nut through the side of the bracket body. Tighten the opposite screw if necessary.
 - c. Snap the screw caps over both screw heads.
 - d. To adjust the height of the bracket, loosen screw "A" until the bracket slides freely on the back post. Once the proper height of the back is determined, tighten the screw. All future adjustments of the back height are done with screw "A".



Note: The back is properly secured when the bottom pins are resting in the lower post brackets and the upper quick release quarter turn brackets are installed above the back support's top hook brackets with the quick release mechanism pointing down.

For 1 1/8" back tube diameter, order 1 each of 880997.

Caution: The top quick release quarter turn brackets must be in their downward position when the back is in use. Improper use may cause the back to unexpectedly detach from the wheelchair.