



Sunrise Home Healthcare Group  
 Mobility Products Division  
 7477 East Dry Creek Parkway  
 Longmont, CO 80503  
 Telephone: (800) 333-4000

# INSTRUCTION SHEET

## REPLACING PLASTIC ARM RECEIVER FLIP-BACK HEIGHT ADJUSTABLE ARMREST

**Tools:**

- (2) 7/16" open end wrenches

**Parts:**

- (1) Plastic arm receiver (p/n 561080)
- (1) 1/4-28 x 1 1/2" hex head bolt (p/n 221130)
- (2) 1/4-28 nylock nut (p/n 201110-QU)

**Step 1.** Loosen 1/4-28 x 1 3/4" hex head bolt (item 1). Do not remove nut.

**Step 2.** Remove second 1/4-28 x 1 3/4" hex head bolt (item 2) and set aside. (This bolt will be used in step 9). Discard used nylock nut (item 3).

**Step 3.** Entire armrest assembly (item 4) should now be easy to remove.

**Step 4.** Remove old plastic arm receiver from post (item 5). Discard item 5.

**Step 5.** Place new plastic arm receiver (item 6) over post.

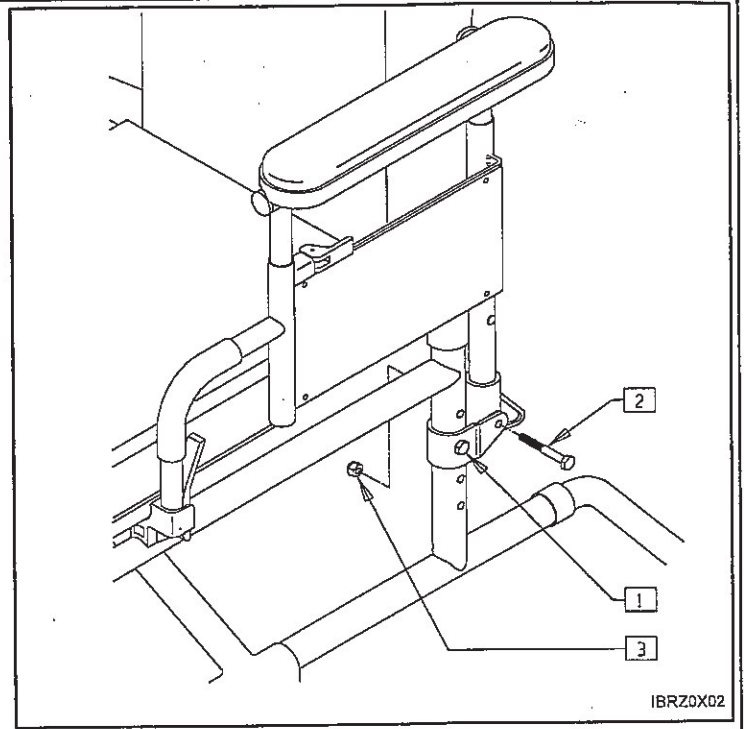
**Step 6.** Place new 1/4-28 x 1 1/2" hex head bolt (item 7) through the top hole of new plastic arm receiver (item 6).

**Step 7.** Secure 1/4-28 x 1 1/2" (item 7) using new nylock nut (item 8). Tighten to 35-45 inch pounds of torque.

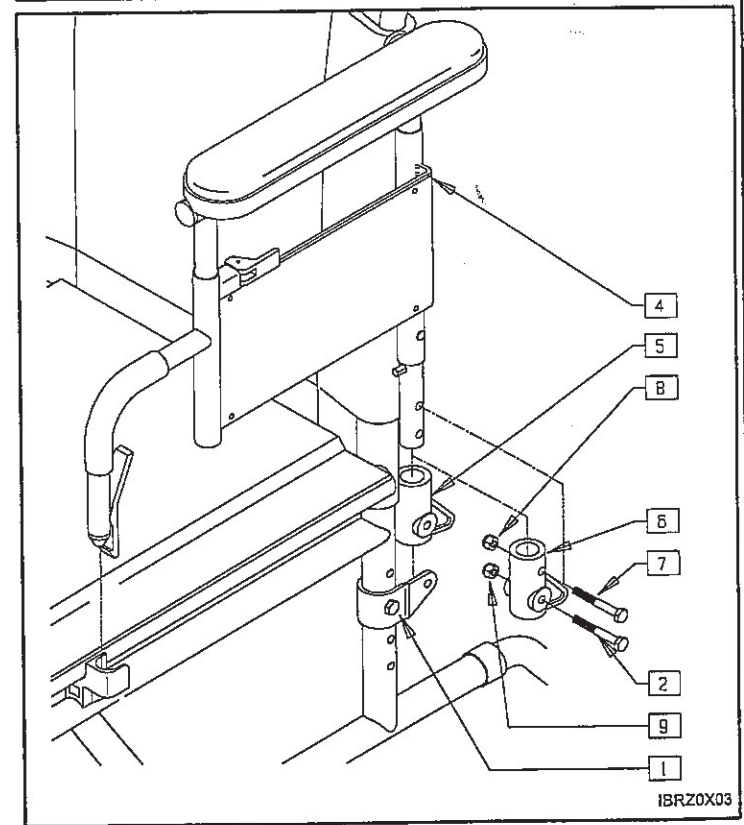
**Step 8.** Place entire armrest assembly (item 4) back in it's original position.

**Step 9.** Replace and secure original 1/4-28 x 1 3/4" hex head bolt (item 2) (from step 2) using new nylock nut (item 9). Tighten to 30-40 inch pounds of torque.

**Step 10.** Tighten first 1/4-28 x 1 3/4" hex head bolt (item 1) (from step1).



IBRZ0X02



IBRZ0X03

**FOR DEALER USE** Installed by: \_\_\_\_\_ Date: \_\_\_\_\_ (retain as record of installation)