

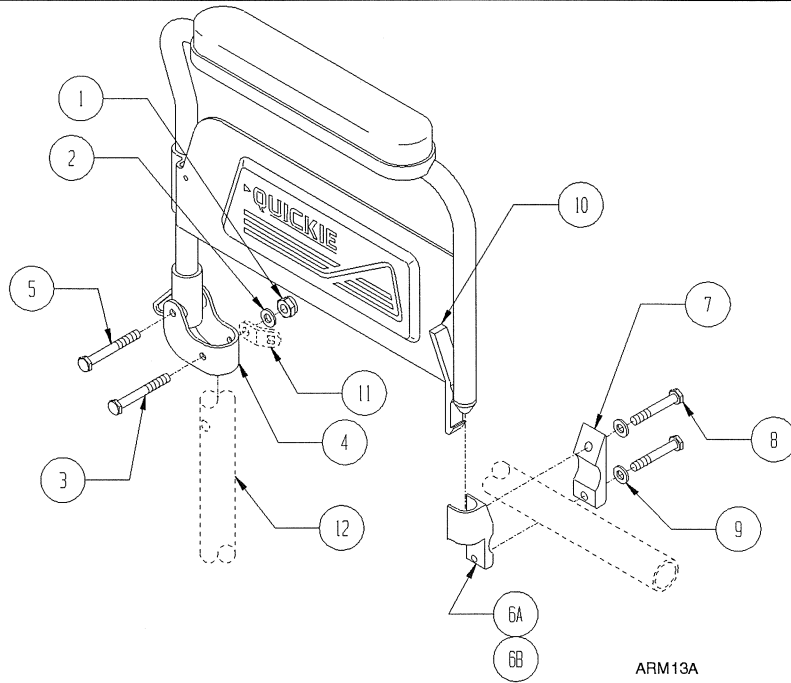
INSTRUCTION SHEET

Flip-Back Armrest

(Quickie 2/2HP)

Flip-Back Armrest Key

1. Nut (2)
2. Washer
3. Bolt 2" long
4. Bracket
5. Bolt 1 3/4 long
- 6A. Front receiver Left
- 6B. Front receiver Right
7. Front mounting clamp
8. Bolts 1 3/8 long
9. Washers
10. Upper securing lever
11. Two hole toggle (Not Included)
12. Rear backrest tube



1. Mounting armrest assembly to wheelchair

- a. Insert bolt (3) through bracket (4) and hole in rear backrest tube (12) as shown.
- b. Be sure two hole toggle (11) is in the correct position as shown in diagram.
- c. Tighten nut (1) on end just until rear arm is able to support its own weight. (Arm must be able to rotate.)
- d. Insert bolt (5) through bracket (4) and front receiver; tighten to allow movement.
- e. Rotate arm forward to locate position of front receiver (6A, 6B). Insert arm before securely fastening front receivers (6A, 6B) and mounting clamps (7). Tighten bolts (8) securely as shown on diagram.

2. Flipping Armrest Back

- a. Depress the release latch (10). Rotate arm toward back of the wheelchair.
- b. To return armrest to down position, push armrest down until release latch (10) locks firmly into place.

FOR DEALER USE Installed by: _____ Date: _____ (retain as record of installation)

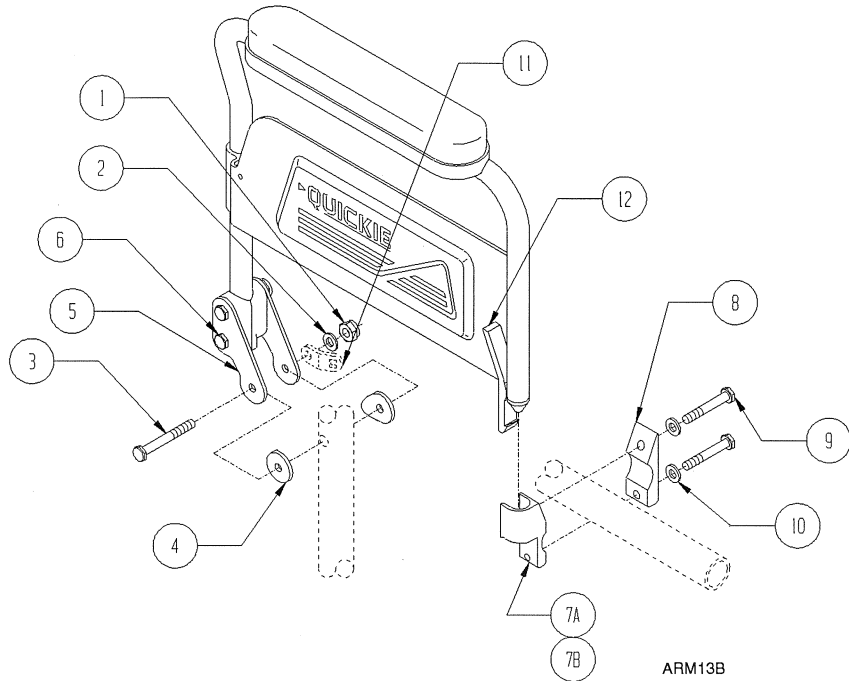
INSTRUCTION SHEET

Flip-Back Armrest

(Quickie 2HPTi/Rx)

Flip-Back Armrest Key

1. Nuts (2)
2. Washer
3. Bolt 2 1/4" long
4. Saddle
5. Pivot Plate
6. Bolt 2" long
- 7A. Front receiver Right
- 7B. Front receiver Left
8. Front mounting clamp
9. Bolts 1 3/8 long
10. Washer
11. Two hole toggle (Not Included)
12. Upper securing lever



1. Mounting armrest assembly to wheelchair

- a. Insert bolt (3) through bracket (5), saddle (4) and hole in rear backrest tube as shown.
Note: For Quickie 2HPTi add washers (P/N 561016) between pivot plate (5) and saddle (4).
- b. Be sure two hole toggle (11) is in the correct position as shown in diagram.
- c. Tighten nut (1) on end just until rear arm is able to support its own weight. (Arm must be able to rotate.)
- d. Rotate arm forward to locate position of front receiver (7A, 7B). Insert arm before securely fastening front receivers (7A, 7B) and front mounting clamps (8). Tighten bolts (9) securely as shown on diagram.

2. Flipping Armrest Back

- a. Depress the release latch (12). Rotate arm toward back of the wheelchair.
- b. To return armrest to down position, push armpad down until release latch (12) locks firmly into place.

FOR DEALER USE Installed by: _____ Date: _____ (retain as record of installation)