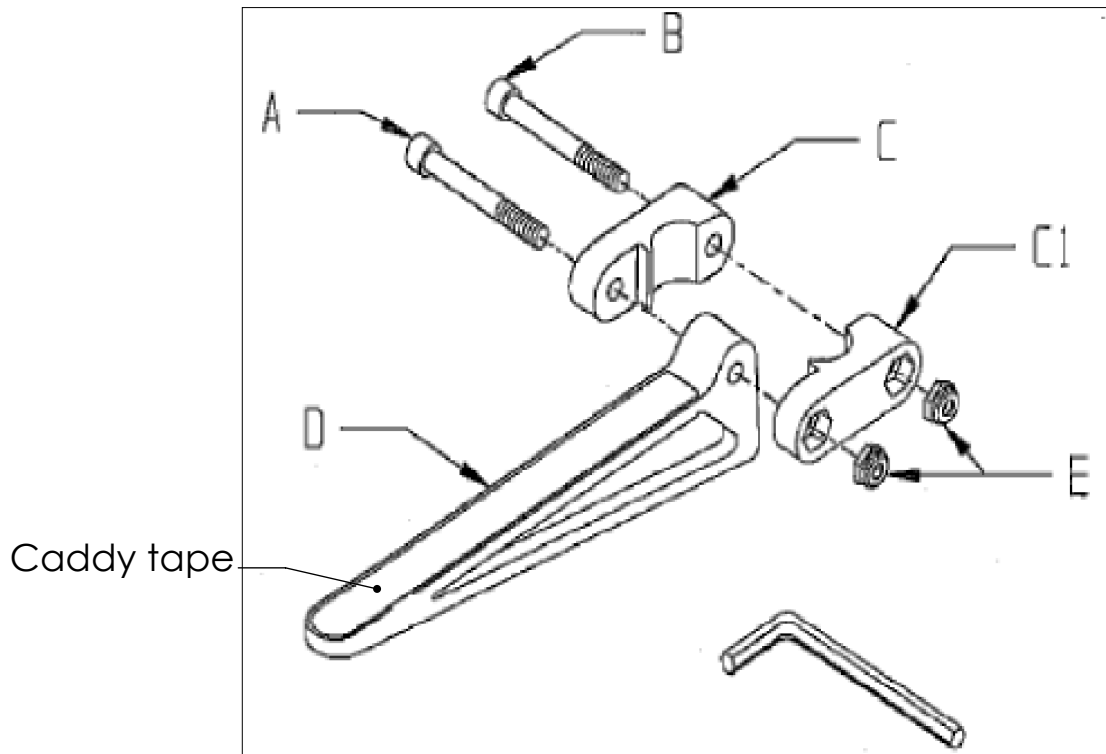


2842 Business Park Avenue
Fresno, CA 93727-1328
(559) 292-2171 (800) 456-8168



Tools required: 3/16" Allen wrench (included)

1. Insert bolts (A and B) into clamp (C). Slide caddy arm (D) over bolt (A).
2. Insert nuts (E) into clamp (C1).
3. Slide clamp (C1) over 3/4" hanger extension tube on chair. Position to desired height.
4. While still holding clamp (C1) and nuts (E) in one hand, insert bolts (A and B) with clamp (C) and caddy arm (D) over opposite side of extension tube with other hand.
5. Partially tighten bolts (A and B). Finish tightening bolts (A and B) beginning with bolt (A).
Note: To ensure proper tension of caddy arm (D), bolt (A) must be tightened first.
6. Remove backing from caddy tape and adhere to top of caddy arm (D).
7. Repeat procedure for opposite side of chair.