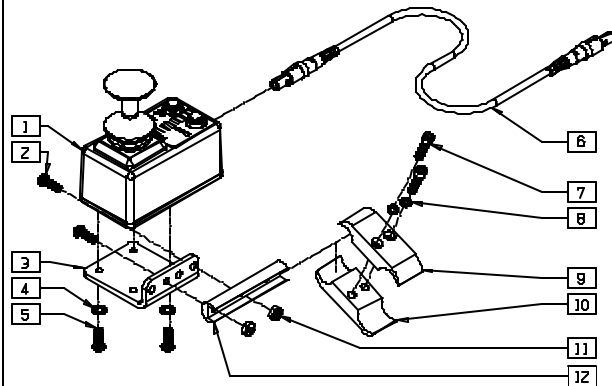


# INSTRUCTION SHEET

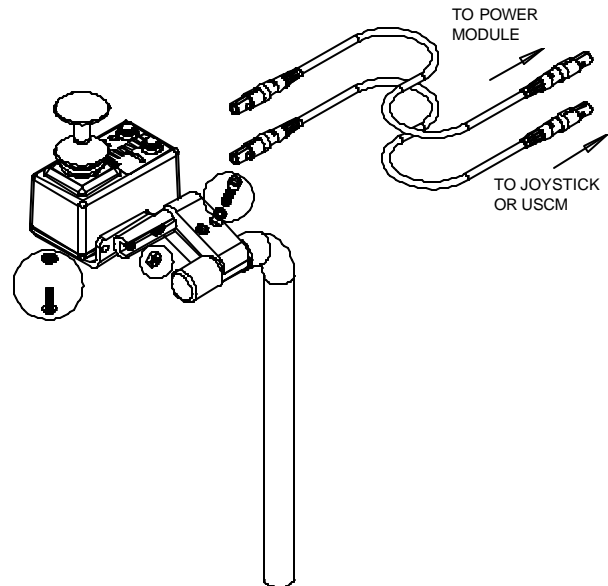
## DUAL/ATTENDANT CONTROL

VIEW 1



950110-2

VIEW 2



950110-1

ITEM	NUMBER	DESCRIPTION	QTY
1	139050	DUAL/ATTENDANT CONTROL	1
2	226100	1/4-28 X 3/4 BH C/S	2
3	505533	ATTENDANT CTRL MOUNT BRACKET	1
4	267340	#10 WASHER INT LOCK ZN	2
5	230495	M5-12 BUTTON HD C/S BLACK	2
6	139138	CONTROL CABLE SLIM LONG	1
7	226112	1/4-28 X 1 SOC C/S BLK	2

ITEM	NUMBER	DESCRIPTION	QTY
8	262114	1/4 WASHER HI COLLAR LOCK ZN	2
9	550477	CLAMP 2 1/4" RECESS BLK	1
10	550576	CLAMP 2 1/4" THREADED BLK	1
11	202300	1/4-28 NYLOCK NUT THIN BLK ZN	2
12	550374	WHL LCK SLIDE BLOCK 3 1/2" BLK	1
1,6	885016	DUAL ATTENDANT CNTRL ASSM	
1-12	920899	ATTENDENT CONTROL MOUNT ASSM	

- 1) Verify the contents and quantities of the assembly components per the bill of materials list and the exploded View 1 of the assembly.
- 2) To establish a secure attach point for the Dual/Attendant Control Remote, remove about 1-1/4" of the push handle grip in the location chosen for the Remote assembly as shown in View 2.
- 3) Assemble the kit contents as shown in View 2. Parts are highlighted that can be removed or loosened to reorient the Remote as desired for a particular application. NOTE: The chair will move in a direction that corresponds to the joystick

deflection relative to the communication connector end of the remote. If the joystick is moved toward the communication connector end of the remote, the chair will move forward; if the joystick is moved in a direction away from the communication connector end of the remote, the chair will move backward. In the same manner, a joystick deflection toward the right or left of the communication connector end of the remote will move the chair in a similar direction, respectively.

- 4) Attach the Remote control cables as detailed in the User Instruction sheet.
- 5) The installation is complete.

**FOR DEALER USE** Installed by: \_\_\_\_\_ Serial #: \_\_\_\_\_ Date: \_\_\_\_\_ (retain as record of installation)