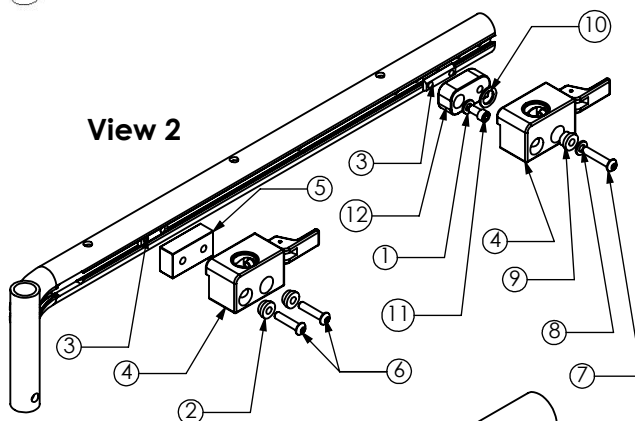
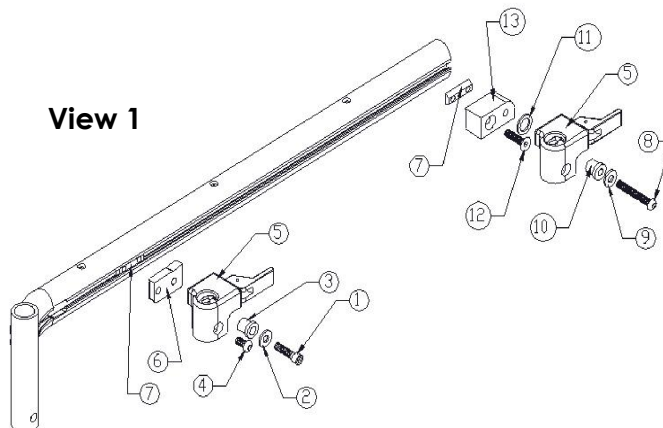


# INSTRUCTION SHEET Armrest Receiver S626

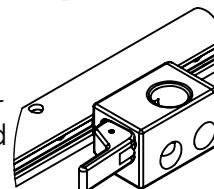
**(Please read and understand these instructions before beginning installation.)**

These instructions describe the new receiver installation for one side of the chair. Detail has been removed from the diagrams for clarity. The release levers should point toward the rear of the chair. The armrest receivers have been pre-packaged with the appropriate hardware to better convey their final placement on the chair.

1. Remove the armrests and set aside.
2. Referring to View 1, remove the screw (item 1) that secures the front armrest receiver (item 5) to the seat frame. Note the approximate location of the channel nut (item 6) to ease reinstallation of the new receiver.
3. Remove the rear armrest receiver pivot bolt (item 8), flat washer (item 9), pivot bushing (item 10) and armrest receiver (item 5). The pivot bushing bearing washer (item 11) may adhere to the rear receiver mount plate. Remove this part for replacement. Remove the rear armrest receiver mount plate attaching hardware (item 12) and the rear armrest receiver mount (item 13). Note the position of the channel nut (item 7) to ease reinstallation of the new receiver.
4. Referring to View 2, install the new front receiver mount bolts (item 6) through the lock down collars (item 2). Fit these parts through recesses in the receiver. **NOTE: The smaller shoulder on the lock down collar should fit into the recess in the receiver.**
5. Fit the receiver adapter plate (item 5) against the flat on the inside of the receiver (item 4). Thread the receiver bolts and bushings (item 6 & 2) through the receiver and into the channel nut (item 3) in the frame rail but do not tighten at this time.
6. Fit the rear receiver mount plate attaching bolt and washer (item 11 & 1) through the retained rear receiver mount plate (item 12). Fit this assembly to the channel nut (item 3) but do not tighten at this time.
7. Fit the rear receiver pivot bolt (item 7) through the flat washer (item 8), the pivot bushing (item 9) and the rear receiver (item 4). Fit the pivot bushing washer (item 10) onto the shoulder of the pivot bushing (item 9) extending through the inside of the receiver.
8. Install this assembly to the rear receiver mount plate (item 12). Flip the receiver assembly rearward and torque both the receiver mount plate bolt (item 11) and the receiver pivot bolt (item 7) to 7 foot-pounds. **NOTE: Verify that the pivot bushing washer (item 10) is on the shoulder of the pivot bushing (item 9) prior to tightening hardware. If the**



On 14 wide chairs rear receiver faces forward



**pivot bushing washer is not situated correctly, the hardware will not tighten properly and excess clearance will result between the armrest receiver and the rear receiver mount plate.**

9. Install the armrest into the rear receiver and latch the armrest into place by pivoting the armrest release lever toward the rear of the chair.
10. Lower the armrest toward the forward receiver. Any misalignment of the armrest and the front receiver will be corrected by sliding the armrest receiver along the seat frame rail.
11. When the armrest fits into both receivers, tighten the front receiver's bolts. Tighten both bolts to 7 foot-pounds.
12. Perform this installation for the remaining side of the chair. The installation is complete.

**FOR DEALER USE** Installed by: \_\_\_\_\_ Serial #: \_\_\_\_\_ Date: \_\_\_\_\_ (Retain as record of installation)