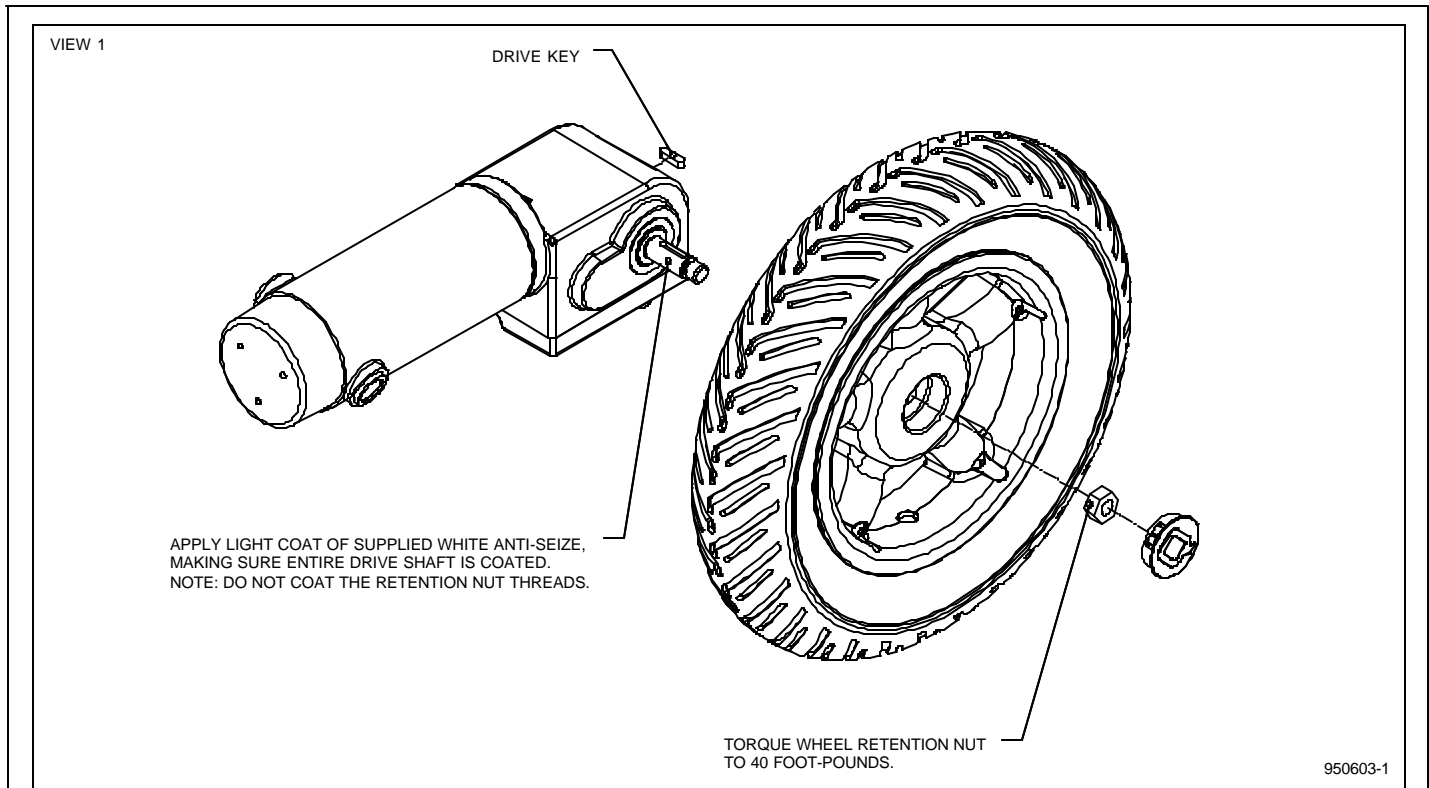


INSTRUCTION SHEET DRIVE WHEEL WITH ANTI-SEIZE

(Please read and understand instructions before beginning installation)



The illustration is for general information and may not represent the chair being serviced. Detail has been removed from the diagram for clarity.

- 1) Disconnect power from the chair to prevent unwanted movement of the chair.
- 2) Support the chair so that the drive wheel(s) can be safely removed.
- 3) Remove the hubcap from the drive wheel and retain for reuse.
- 4) Remove the wheel retention nut and any washers and retain for reuse.
- 5) Remove the wheel and drive key from the motor/gearbox output shaft.
- 6) Clean the motor/gearbox output shaft to remove all corrosion.
- 7) If the edges of the motor/gearbox output shaft keyway are raised above the basic diameter of the output shaft, remove the excess material with a fine file. NOTE: Do not remove more material from the output shaft than is necessary to allow fitment of the wheel.
- 8) Apply a light coat of anti-seize to the motor/gearbox output shaft and drive key. NOTE: Do not apply any anti-seize to the wheel retention nut threads of the motor/gearbox output shaft.
- 9) Fit any spacer washers that may have been removed.
- 10) Fit the drive key into the keyway on the motor/gearbox shaft and install the drive wheel and tire onto the motor/gearbox shaft.
- 11) Fit the retained wheel retention washer and the wheel retention nut.
- 12) Torque the wheel retention nut to 40 foot-pounds. Remove any excess anti-seize compound.
- 13) Reinstall the hubcap, remove the chair from the support and re-connect the power to the chair.
- 14) The installation is complete.

FOR DEALER USE Installed by: _____ Serial #: _____ Date: _____ (retain as record of installation)