

# INSTRUCTION SHEET

## Standard to Rear Suspension Conversion

### Quickie GT

**(Please read and understand instructions before beginning installation)**

**Tools Required:**

- 4mm Allen wrench (2 req'd)
- 5mm Allen wrench

1) Before installing rear suspension, consult with Sunrise Medical Customer Service to ensure rear floor-to-seat height used with the standard axle system can be obtained when using rear suspension.

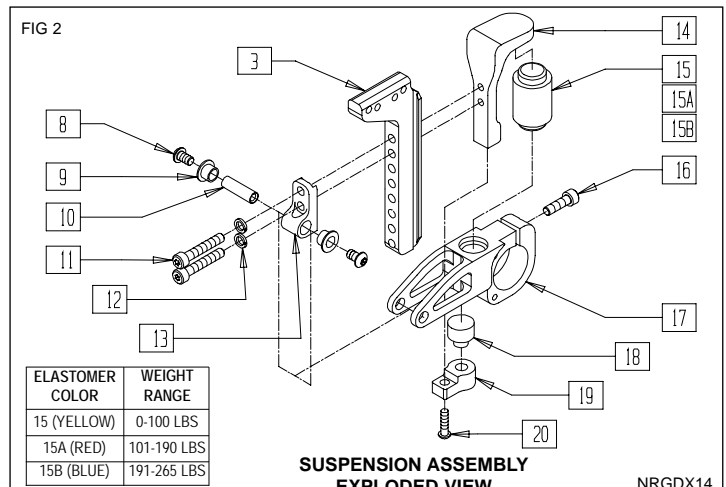
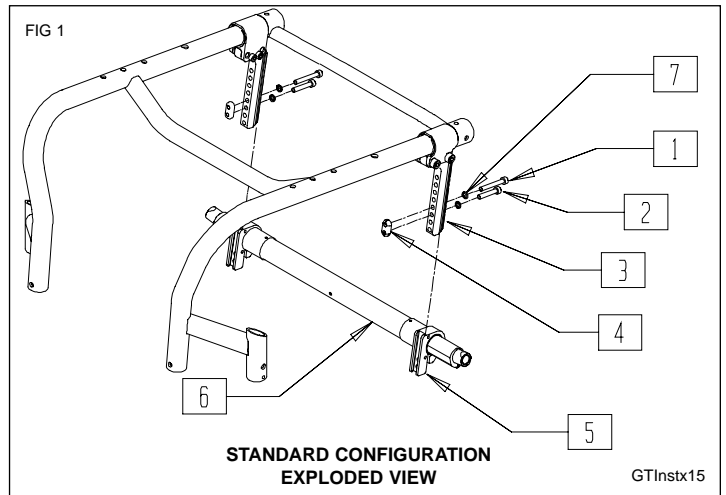
**Remove: (Reference Fig 1)**

- 2) Remove both rear wheels.
- 3) Remove items 1 & 2, (Qty 4) M6 SHCS, item 7 (Qty 4) Lock Washers, and Item 4 (Qty 2) Nut Plates.
- 4) Slide Camber Clamps, item 5, and Camber Tube assembly, item 6, off of the existing axle plates.
- 5) Remove item 5 Camber Clamps from item 6 Camber Tube.

**Install: (Reference Fig 2)**

- 6) Press item 9 Flange Bearings (Qty 2) onto item 13 Pivot Mount, and repeat for other side of chair.
- 7) Loosely install item 13 Pivot Mount, and item 14 Elastomer mount on Axle Plate using item 11 (Qty 2) M6 SHCS and item 12 (Qty 2) Lock Washers. Repeat for other side of chair.
- 8) Slide item 17 (Qty 2) Swingarm, onto item 6 Camber tube. Loosely tighten item 16 (Qty 2) M6 BHCS.
- 9) Install Camber Tube and Swing-Arm Assembly created in step 8 onto item 3 Axle plate.
- 10) Align the pivot holes in item 13 and item 17 and press item 10 through all
- 11) Install item 15, 15A, or 15B Suspension Elastomer in between item 14 Elastomer Mount and item 17 Swingarm.
- 12) Install Item 18 Rebound Elastomer in between item 19 Rebound Block and item 17 Swingarm. Secure to item 14 Elastomer Mount using item 20 M6 BHCS.
- 13) Attach Swing arm to Pivot mount using item 8 M6 BHCS (Qty 2). Use 2 4mm Allen Wrenches to tighten from both sides simultaneously. Position Suspension Assembly and fully tighten item 16 that holds Swingarm to Camber tube.
- 14) Repeat steps 10-13 for other side.
- 15) Install Rear Wheel and Axle assemblies
- 16) Again measure height from seat sling rear to floor. Adjust hole mount locations on axle plate to closest match height obtained in step 1 above.
- 17) Refer to Owner's Manual for toe in/out, CG and rear wheel gap adjustment.

**WARNING!** Changing any components or settings of the rear axle assembly will change stability characteristics. Always use Anti-Tips or an attendant behind the chair until the rider becomes accustomed to the change.



ITEM	NUMBER	DESCRIPTION	QTY
8	230022	BHCS M6X1X8MM TORX T-25 PATCH	2
9	050139	BEARING FLANGE 8MMIDX7.5MM LG	2
10	050102	PIVOT SUSPENSION	1
11	230008	SHCS M6 X 1 X 35 BLK	2
12	050129-001	LOCKWASHER HIGH COLLAR M6	2
13	050096	MOUNT PIVOT SUSPENSION	1
14	050095	MOUNT ELASTOMER SUSPENSION	1
15	050098-001	ELASTOMER SUSPENSION 55A (YEL)	1
15A	050098-002	ELASTOMER SUSPENSION 65A (RED)	1
15B	050098-003	ELASTOMER SUSPENSION 75A (BLUE)	1
16	230024	BHCS M6 X 1 X 20MM TORX T-25	1
17	050094	SWINGARM SUSPENSION	1
18	050099	ELASTOMER REBOUND SUSP	1
19	050097	BLOCK REBOUND SUSPENSION	1
20	230010	SHCS M6 X 1 X 16 BLK	1

**FOR DEALER USE** Installed by: \_\_\_\_\_ Serial #: \_\_\_\_\_ Date: \_\_\_\_\_ (retain as record of installation)