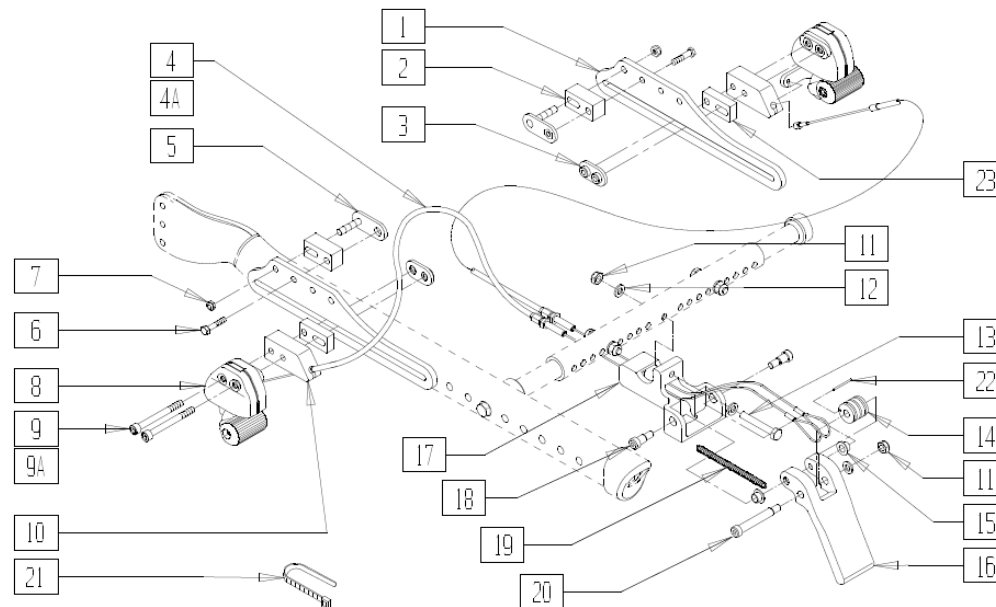


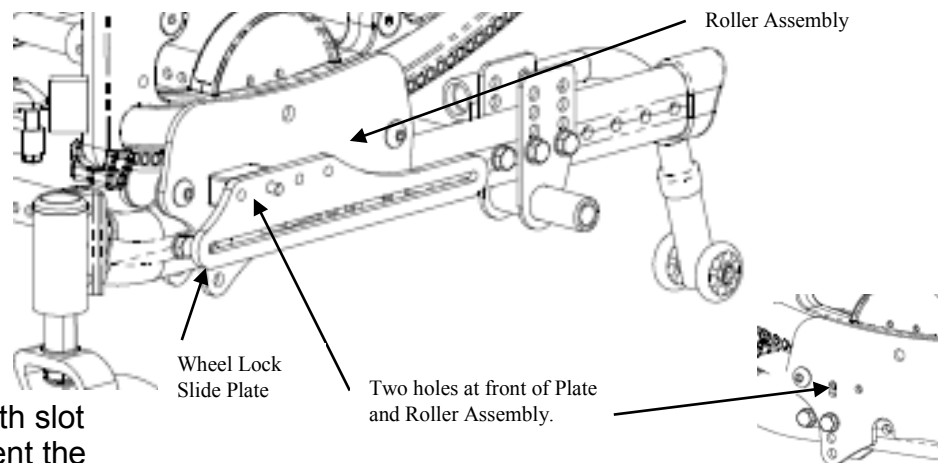
INSTRUCTION SHEET ATTENDANT WHEEL LOCK INSTALLATION QUICKIE IRIS

ITEM NO.	DESCRIPTION
1	Wheel Lock Slide Plate
2	Mounting Block
3	Nut Plate
5	Nut Plate with Stud
6	1/4-20 x 1-1/4" Bolt
7	1/4-20 Nylock Nut
8	Remote Lock Assembly
9	M6-60 Screw
10	Attendant Wheel Lock Spacer Block
11	1/4-20 Nylock Nut
12	Washer
13	1/4-20 x 1-3/4" Bolt
17	Mount Bracket Cable Assembly



To install Attendant Wheel Lock:

1. Remove wheels from chair.
2. Attach Mount Bracket/Cable assembly (Item 17) to Rear Base Strut Tube using 1/4" x 1-3/4" bolt (Item 13) with nut and washers (Items 11 & 12).
3. If Push-to-Lock Wheel Locks are already installed, remove the Push-to-Lock assemblies by removing the M6 bolts (Item 9) and Nut Plate (Item 3), leaving Wheel Lock Plates mounted on the chair (Item 1), and go to step 5. If there are no wheel locks mounted already, proceed with step 4.
4. If the axle of the rear wheel is below the base frame tube, orient the Wheel Lock Plates (Item 1) downward (As shown with slot down). If axle of rear wheel is above the base frame tube, orient the Wheel Lock Plates upward (Slot up).



FOR DEALER USE Installed by: _____ Date: _____ (retain as record of installation)

**INSTRUCTION SHEET
ATTENDANT WHEEL LOCK INSTALLATION
QUICKIE IRIS**

5. Attach Wheel Lock Plates to Roller Assembly, through two holes towards front of plate, on each side of the chair using 1/4" x 1-1/4" bolt (Item 6), Nylock Nut (Item 7), Nut Plate with Stud (Item 5), and Mounting Block (Item 2).
6. Attach the left and right Remote Lock Assemblies (Item 8) to the Slide Plates (Item 1) using the Attendant Wheel Lock Spacer Blocks (Item 10), M6 x 60 screws (Item 9), and Nut Plate (Item 3). (If dual post armrests are installed, you may need to use the additional spacer block (Item 23 and M6 x 70 bolts Item 9A). Do not tighten bolts. Slide the Remote Lock Assemblies as far forward as they will go.
7. Re-install wheels and slide the Remote Lock Assemblies rearward until the friction block of the remote lock is approximately 1/4" away from the tire when unlocked. If the lock cannot be adjusted to this position, you will need to adjust the position of the slide plate until it can be adjusted as stated. Once remote locks are properly positioned, tighten bolts.
8. Attach cables to Remote Lock Assemblies by sliding the stud at the end of the cable into the slot in the Remote Lock Assembly. Pull back on the cable sheath and slide the end of the cable sheath into the pocket on the Attendant Wheel Lock Spacer Block (Item 10) as shown. Be sure that the cables are routed away from all moving parts. Attach the cables into place on the chair with zip-ties provided (Item 21).
9. Adjust the cable adjustment screws as necessary to ensure that the wheel locks can get to their fully extended position when the pedal is engaged. Position of the Remote Lock Assembly may need to be fine tuned to optimize the force needed to engage the pedal, depending on tire type. If excessive force is needed to engage the pedal, cable life may be reduced.

FOR DEALER USE Installed by: _____ Date: _____ (retain as record of installation)