

# INSTRUCTION SHEET

## Armrest Receiver Attachment Mounting & Adjustment

(Please read and understand instructions before beginning installation)

**Parts Required:**

- (1) SPHA Receiver 1" OD
- (1) Rear Side Frame Top Tube
- (2) Clamp, Receiver 1" OD
- (2) SHCS 1/4 -28 x 1 ROHS
- (2) Washer, Flat Thin AN 1/4 ROHS
- (2) Nut Nylock Thin 1/4 -28 ROHS

**Armrest Receiver Attachment Mounting**

**Fig. 1**

- 1) Place (2) CLAMP, RECEIVERS over REAR SIDE FRAME TOP TUBE. Align with SPHA RECEIVER.

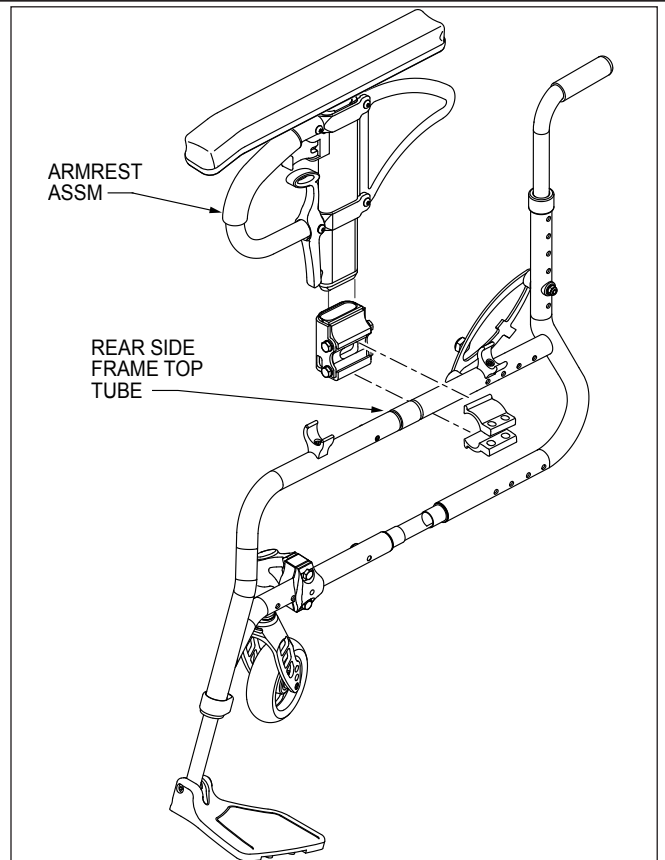
**Fig. 2**

- 2) Pinch both CLAMP, RECEIVERS together at SPHA RECEIVER side and insert into SPHA RECEIVER.

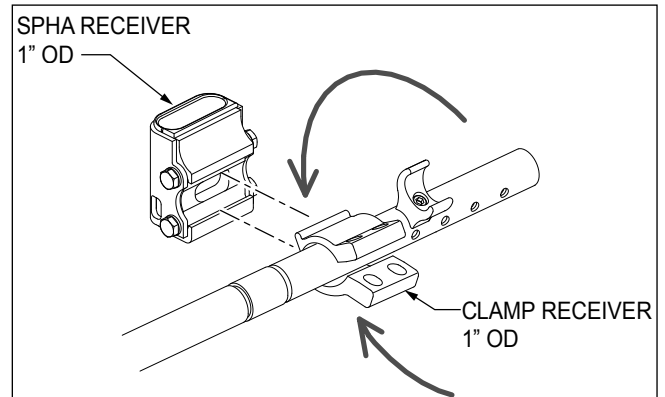
**Fig. 3**

- 3) Once inserted, pinch both CLAMP, RECEIVERS together on the far side of the SPHA RECEIVER.
- 4) Hold both CLAMP, RECEIVERS against REAR SIDE FRAME TOP TUBE and fasten with (2) SHCS 1/4 -28 x 1 ROHS, (2) WASHER FLAT THIN AN 1/4 ROHS, and (2) NUT NYLOCK THIN 1/4 -28 ROHS as shown.

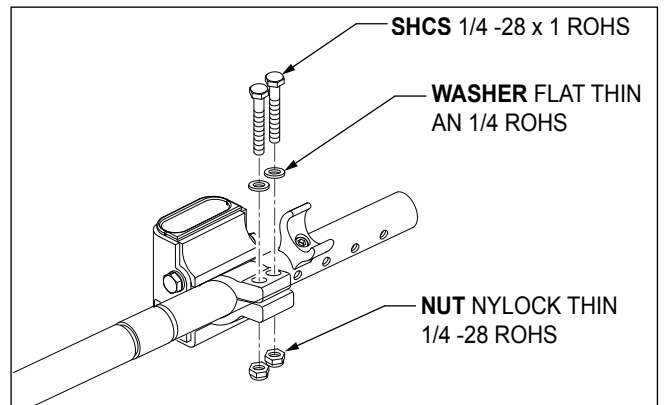
**Fig. 1**



**Fig. 2**



**Fig. 3**



# INSTRUCTION SHEET

## Armrest Receiver Attachment Mounting & Adjustment

(Please read and understand instructions before beginning installation)

### Adjustment:

#### Fig. 1

- 1) To adjust the fit of the Single Post Armrest in the receiver, loosen the 4 hex head bolts by using a 7/16" wrench.

#### Fig. 2

- 2) Once loosened, press firmly on the outside of the receiver while the armrest is in the receiver and while applying pressure. Re-tighten the 4 hex head bolts.
- 3) The armrest will fit firmly in the receiver and lessen any noise that may result from vibrations.

Fig. 1

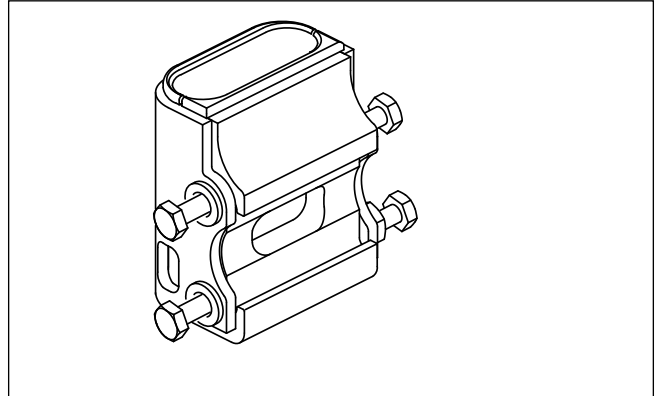


Fig. 2

