

# Adaptive Equipment Systems

## Product Catalog



[www.sunrisemedical.com](http://www.sunrisemedical.com)



866.725.SEAT





**At Sunrise Medical our daily goal is to improve the lives of the people who use our products. Our products are designed to promote independent and involved lifestyles. We are about abilities, and we are dedicated to quality of design and its impact on the quality of life.**



**AES FRESNO**  
2844 Business Park Avenue  
Fresno, CA 93727  
*p* 866.237.0688  
925.455.7180  
*f* 877.237.42214



# Table of Contents

## SEATING SYSTEMS

Packages .....	1
----------------	---

## SEATS

Insert Packages .....	3
Solid Inserts .....	4
Universal Amputee Inserts .....	5
Wood Bases .....	5
Modifications & Covers .....	6

## BACKS

Insert Packages .....	7
Solid Inserts .....	9
Modifications & Covers .....	10

## CUSTOM MOLDED

SculptureFit .....	11
Adjustable Contour Systems .....	11
Foam Form .....	12

## SEAT & BACK HARDWARE

Seat To Back Brackets .....	13
Universal Mounting Brackets & Components .....	14
E-Z Mount Hardware .....	16
J & L Mounting Kits .....	16
J & L Components .....	17
Bi-angular Back Brackets .....	18

## LATERAL SUPPORT

Lateral Thoracic Packages .....	19
Lateral Pelvic/Thigh/Armrest packages .....	20
Lateral Pelvic/Thigh packages .....	21
Lateral Support Pads .....	22
Lateral Modifications .....	23
Bracket Covers .....	23
Brackets & Components .....	24

## MEDIAL SUPPORT

Medial Pelvic/Thigh support packages .....	28
Pads .....	29
Modifications .....	30
Brackets & Components .....	30

## LI'L KIDDOS

Seating Systems .....	32
Seat Insert Packages .....	33
Back Insert Packages .....	34
Mobility Base Attaching Hardware .....	35
Lateral Thoracic Support Packages .....	36
Lateral Pelvic/thigh Support Packages .....	37
Lateral Support Pads .....	38
Lateral Modifications .....	39
Lateral Bracket Covers .....	39
Lateral Brackets & Components .....	40
Medial Thigh Support .....	42

## HEAD SUPPORT

Whitmyer Biomechanix Systems .....	43
Whitmyer Biomechanix Accessories .....	46
Whitmyer Biomechanix Pad Size Reference .....	47
Packages .....	48
Pads .....	49
Hardware & Components .....	50

## TRUNK, PELVIC & LOWER EXTREMITY SUPPORT

ComforFit™ Anterior Trunk Supports .....	51
ComforFit™ Pelvic Positioning Belts .....	53
ComforFit™ Shoe and Foot Positioning .....	54
Trunk & Pelvic Support Straps .....	55
Soft Support Components & Hardware .....	55
Foot Boxes .....	56
Knee Stabilization & Adductors .....	56
Calf Panel & Miscellaneous Supports .....	57

## UPPER EXTREMITY SUPPORT

Arm & Wrist Support .....	58
Multi-Adjustable Arm (Communication Device Platform) .....	59
Upper Extremity Support Platforms (Trays) .....	60
Platform Mounting Hardware .....	61
Platform Accessories & Modifications .....	62
Miscellaneous .....	63

## DIMENSION SPECIFICATIONS

Seats, Backs & Client Specifications .....	64
--	----

# Terms & Conditions

For terms and conditions of sale, please visit our website at:  
[www.sunrisemedical.com](http://www.sunrisemedical.com)

## Business Hours

Rehab Product Specialists are available  
Monday through Friday:

### AES FRESNO

2842 Business Park Avenue  
Fresno, CA 93727  
Phone: (866) 237-0688  
Fax: (877) 237-4214

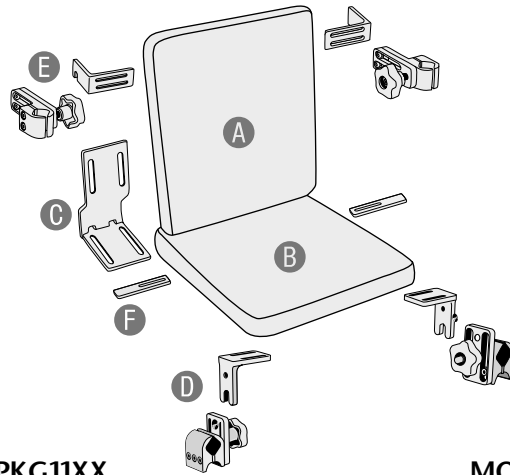
5:00 AM to 5:00 PM, Pacific Time



# SEATING SYSTEMS | packages

## When ordering

- Specify seat insert and back insert dimensions
- Specify upholstery fabric and color
- Standard hardware diameter is 1": specify if other size is needed
- Dimensions over 20" in width, height, or depth require additional modifications
- Curved Back modification requires change of hardware
- Standard seat foam is 1 1/2" HR, standard back foam is 1" HR — see Modifications table for upgrades
- 1/2" multi-ply base material standard
- 1/4-20 T-nuts included



### PKG11XX

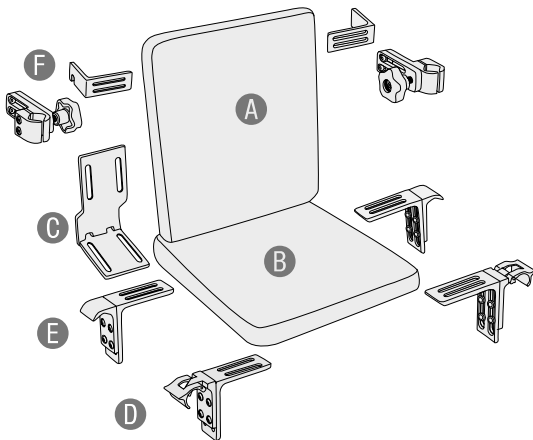
Universal Seating system package

- |   |         |   |            |
|---|---------|---|------------|
| A | SBP10XX | D | HDW6810    |
| B | SSP10XX | E | HDW6820L/R |
| C | HDW1025 | F | HDW6303    |

### MODWC20

Transport Option Hardware

- Available only with PKG11XX, PKG13XX, SBK17XX and SSK17XX ordered together, SBK10XX and SSK10XX ordered together
- MOD4175 Drop Seat not available with this option
- MOD4800 Seat Rail Foam Overlay not available with this option
- Manufactured to meet or exceed ANSI/RESNA/20 standards

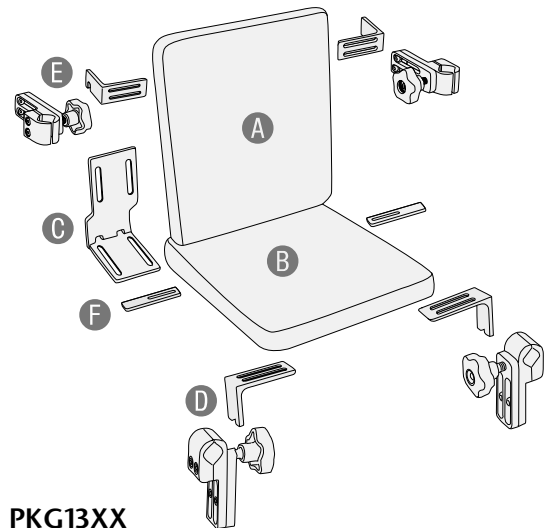


### PKG10XX

Universal/E-Z Mount package

- |   |         |   |            |
|---|---------|---|------------|
| A | SBP10XX | D | HDW6850    |
| B | SSP10XX | E | HDW6853    |
| C | HDW1025 | F | HDW6820L/R |

- Adjustment range up to 3" drop and up to 7" forward adjustment. NOTE: seat to back bracket limits forward adjustment range
- Hardware change required if Curved Back (MOD5500/5501/5502) is specified



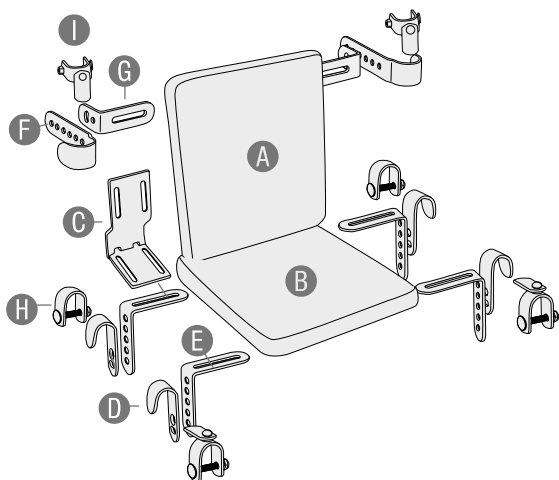
### PKG13XX

Space Saver package

- |   |         |   |            |
|---|---------|---|------------|
| A | SBP10XX | D | HDW6817    |
| B | SSP10XX | E | HDW6820L/R |
| C | HDW1025 | F | HDW6303    |

- Hardware change required if Curved Back (MOD5500/5501/5502) is specified
- Seat mounting hardware is 1 1/4" wide in this configuration

# SEATING SYSTEMS | packages

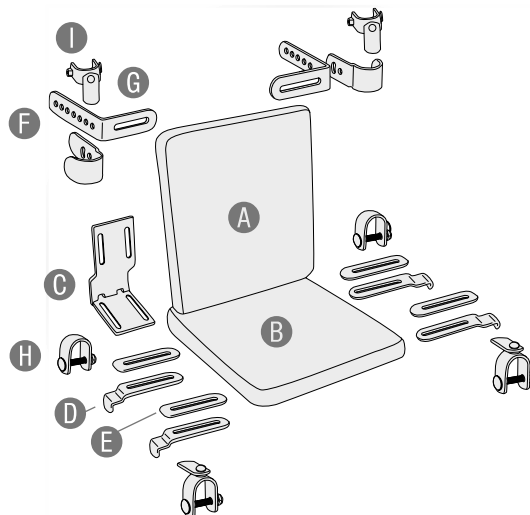


## PKG20XX

*Adjustable J-Hook package*

A	SBP10XX	F	HDW6236
B	SSP10XX	G	HDW6120
C	HDW1025	H	HDW6430
D	HDW6230	I	HDW6465
E	HDW6150		

- Between rail or full width back options available
- Hardware change required if Curved Back (MOD5500/5501/5502) is specified
- Curved Foam (MOD5530) does not require hardware change

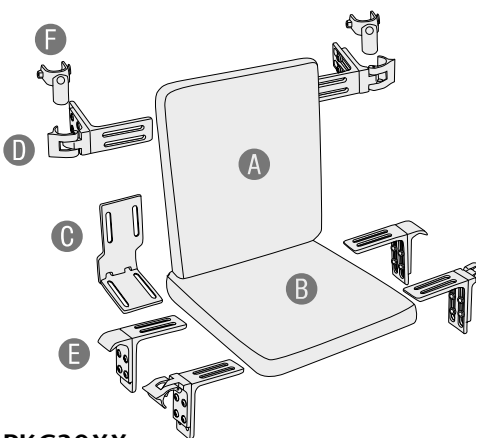


## PKG23XX

*Adjustable Flush Hook /J-Hook Seating package*

A	SBP10XX	F	HDW6236
B	SSP10XX	G	HDW6120
C	HDW1025	H	HDW6430
D	HDW6300	I	HDW6465
E	HDW6310		

- Between rail or full width back options available
- Hardware change required if Curved Back (MOD5500/5501/5502) is specified
- Curved Foam (MOD5530) does not require hardware change



## PKG30XX

*E-Z Mount Seating package*

A	SBP10XX	D	HDW6850
B	SSP10XX	E	HDW6853
C	HDW1025	F	HDW6465

- Curved Back (MOD5501/MOD5502) not allowable. Use Curve Foam (MOD5530) instead
- Seat hardware accommodates up to 1 3/8" drop adjustment
- Back hardware accommodates up to 1 3/8" forward adjustment



*Pediatric seating systems can be found in the Li'l Kiddos section of this catalog*

## PKG90XX

*Custom Seating Package*

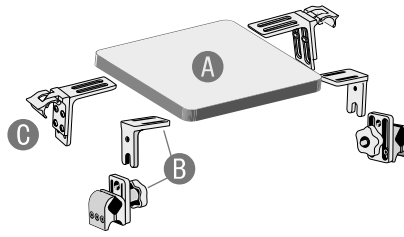
*Consult with your Rehab Product Specialist for details on ordering this package*



# SEATS | Insert packages

## When ordering

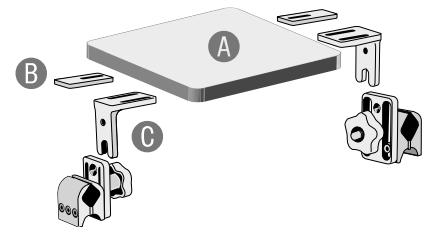
- Specify seat insert dimensions; see measurement forms online or contact your Rehab Product Specialist
- Specify upholstery fabric and color
- Dimensions over 20" in width or depth require additional modifications
- Standard hardware diameter is 1", specify if other needed
- 1 1/2" HR foam is standard. See Modifications table for upgrades
- 1/2" multi-ply base material standard
- 1/4-20 T-nuts included



### SSK10XX

Seat package with Universal/E-Z Mount hardware

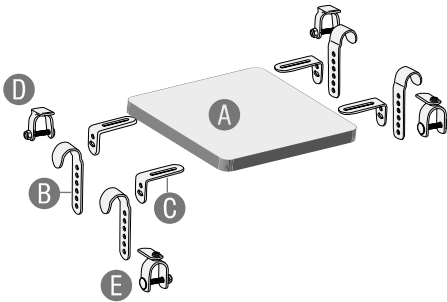
- A SSP10XX
- B HDW6810
- C HDW6850L/R



### SSK17XX

Universal Seat Hardware package

- A SSP10XX
  - B HDW6303
  - C HDW6810L/HDW6810R
- Configured to be ordered with SBK17XX
  - Drop seat (MOD4175) not available with Transport Option
  - MOD4800 Seat Rail Foam Overlay not available with Transport Option

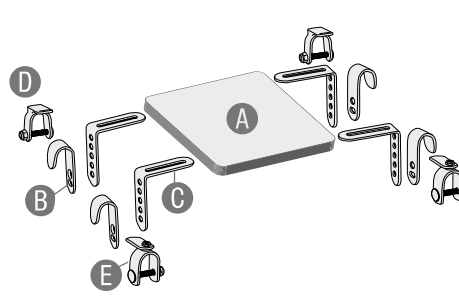


### SSK20XX

Seat package with Adjustable J-hook and Rotating Hold Downs

- A SSP10XX
- B HDW6236
- C HDW6120
- D HDW6460
- E HDW6465

- Between rails only
- MOD4175 Mid-seat Cutout for X Braces is included

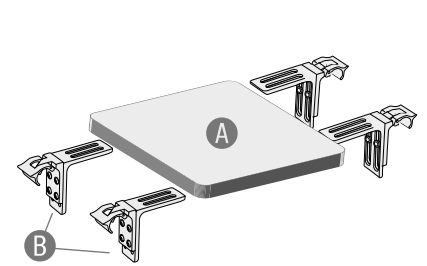


### SSK21XX

Full Width Seat package with Adjustable J-hook and Rotating Hold downs

- A SSP10XX
- B HDW6230
- C HDW6150
- D HDW6460
- E HDW6465

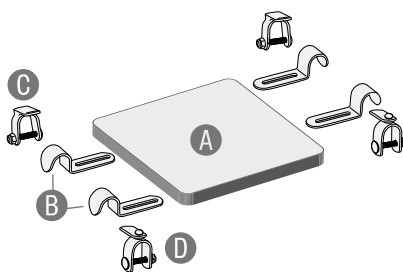
- Full width seat



### SSK30XX

Seat package with E-Z Mount Hardware

- A SSP10XX
- B HDW6850

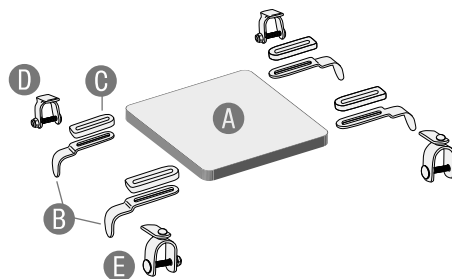


### SSK50XX

Seat package with Drop Hooks and Rotating Hold Downs

- A SBP10XX
- B HDW6725
- C HDW6460
- D HDW6465

- 1 1/2 drop is standard, specify if other is required



### SSK55XX

Seat package with Flush hooks and Rotating Hold Downs

- A SSP10XX
- B HDW6300
- C HDW6310
- D HDW6460
- E HDW6465

- Full width seat

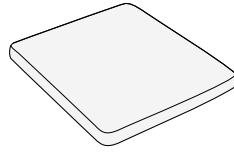
### SSK90XX

Custom Seat package

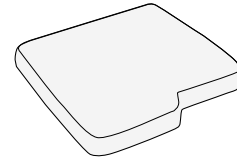
# SEATS | Solid inserts

## When ordering

- Specify seat insert dimensions; see measurement forms at the back of this catalog
- Specify upholstery fabric and color
- Dimensions over 20" in width or depth require additional modifications. Upgrade to 3/4" plywood base is recommended for oversize seats
- 1½" HR foam is standard — see Seat Modifications table for premium foam upgrades
- 1/2" multi-ply base material standard
- 1/4-20 T-nuts included
- When ordering as part of a package, please use MOD part number

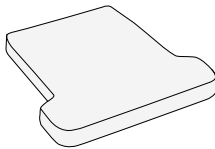


**SSP10XX**  
Solid seat Insert



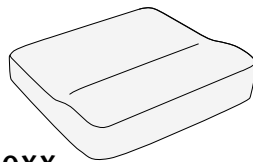
**SSP20XX**  
Offset seat insert

- Specify long left side or long right side
- May also be ordered as MOD4200L (Left) or MOD4200R (Right)



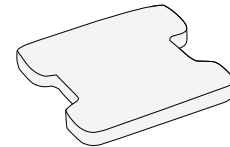
**SSP30XX**  
T-style seat insert

- Extender bars available, must be purchased separately
- May also be ordered as MOD4300



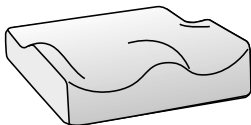
**SSP40XX**  
Anti-Thrust seat insert

- Specify height and depth of anti-thrust
- May also be ordered as MOD4400



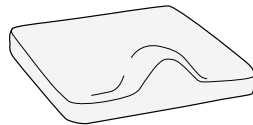
**SSP50XX**  
I-style seat insert

- May also be ordered as MOD5000



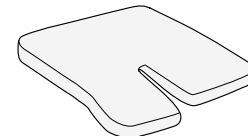
**SSP60XX**  
Contour seat insert

- Four-way stretch fabric recommended
- Outside lateral height over 4" requires MOD4640 Lateral Reinforcement
- Specify dimensions on measurement form
- May also be ordered as MOD4600



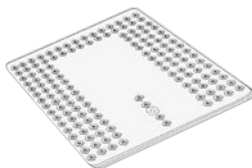
**SSP70XX**  
Built-in Medial Thigh Support seat insert

- Four-way Stretch Fabric Face is recommended
- Specify dimensions on measurement form
- May also be ordered as MOD4700



**SSP80XX**  
Adjustable Split-seat insert

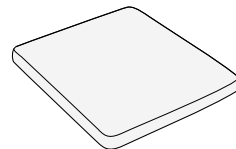
- Between Rail width measurement is required at time of ordering
- Specify Left or Right adjustable side
- Specify Split dimensions
- Bilateral adjustment requires additional hinge hardware
- May also be ordered as MOD4900



## Solid Seat Interface

### SSI10XX

- Includes 1/4-20 T-Nuts, but does NOT include Foam or upholstery
- Clear-coat finish
- Widths greater than 20" require 3/4" plywood

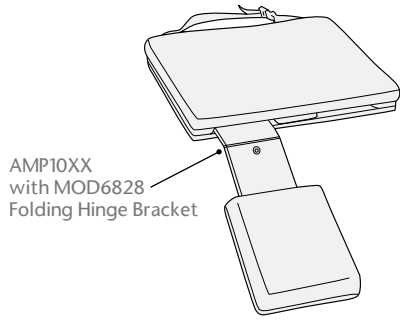


## Seat Cushion, Custom

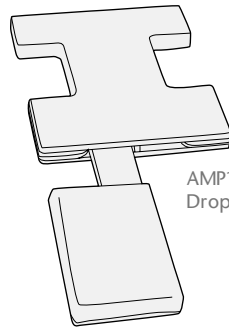
### SCI19XX

- Specify width and depth of cushion
- Specify foam type and thickness
- Specify upholstery fabric and color
- Does not include plywood seat base or T-nuts
- Does not include hook & loop attaching strips
- 2" HR Foam is standard

# SEATS | Universal Amputee Inserts



AMP10XX with MOD6828 Folding Hinge Bracket



AMP16XX Drop Base style

✉ Contact AES Baltimore (800) 237-2370 for all Amputee Insert orders.

## AMPUTEE SEAT INSERTS

AMP10XX	Solid Insert, 16" W (actual width)
AMP11XX	Solid Insert, 18" W (actual width)
AMP16XX	Drop Base Style, for 16" wide W/C
AMP18XX	Drop Base Style, for 18" wide W/C
AMP19XX	Custom Insert (max: 22" W x 22" D)

- 1" HR foams is standard on seat insert and extension pad
- Extension pads are 8"W x 10"D
- Specify RIGHT or LEFT extension
- 16"D is standard, maximum insert size is 22"W x 22"D
- Adjustable angle brackets require notching the amputee insert

## AMPUTEE INSERT COMPONENTS

AMP20XX	Additional Extension – Solid (removable)
AMP30XX	Additional Extension– Folding (non-removable)
AMP40XX	Additional Extension– Adjustable Angle (removable)
AMP70XX	Extension Pad Only
AMP80XX	Amputee Seat Insert Only

## MODIFICATIONS

- MOD6828 Add Folding Hinge to Extension Pad
- MOD6826 Add Adjustable Angle Bracket to Extension Pad
- MOD6827 No Seat Cushion

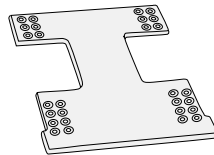
# SEATS | Wood Bases



## WOOD SEAT BASES

	W	D	H
WJB3100	14"	16"	¼"
WJB3000	14"	16"	½"
WJB2100	16"	16"	¼"
WJB2000	16"	16"	½"
WJB1100	18"	16"	¼"
WJB1000	18"	16"	½"
WJB4000	20"	18"	¼"
WJB4050	20"	18"	½"
WJB9000	Custom		

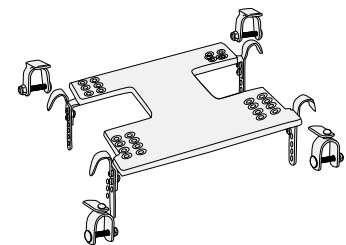
- Dimensions are FULL SIZE. Provide cushion specifications to ensure accurate sizing
- Wood base is clear coated
- Does NOT include: T-nuts, foam, cover or hook & loop attaching strips



## DROP-IN WOOD BASES

	W	D
WJB3500	14"	17"
WJB2506	16"	16"
WJB2500	16"	17"
WJB2508	16"	18"
WJB1506	18"	16"
WJB1500	18"	17"
WJB1508	18"	18"
WJB1206	20"	16"
WJB1200	20"	17"
WJB1208	20"	18"

- Bases are finished in Black
- Hardware not included
- MOD4125 Hook & Loop attaching strips included upon request
- ¼-20 T-nuts are standard



## DROP-IN WOOD BASE KITS

	W	Tube diameter
WJB3551	14"	1"
WJB3557	14"	7/8"
WJB2551	16"	1"
WJB2557	16"	7/8"
WJB1551	18"	1"
WJB1557	18"	7/8"
WJB1251	20"	1"
WJB1257	20"	7/8"
WJB9100	Custom	

- Bases are finished in Black
- Includes mounting hardware: HDW0100 or HDW0078
- ¼-20 T-nuts are standard
- All kit bases are 17" deep

# SEATS | Modifications & Covers

## FOAM MODIFICATIONS

MOD0050	Omit Foam in Seat
MOD1180	1" Stimulite Honeycomb, Seat
MOD1185	½" Stimulite Honeycomb, Seat
MOD1195	Partial Stimulite Insert, Seat (max 100 sq in)
MOD1200	2" HR Foam In Seat
MOD1300	3" HR Foam In Seat
MOD1400	1" Pudgee Foam In Seat
MOD1405	½" Pudgee In Seat
MOD1495	1" Pudgee Partial Insert, Seat (max 100 sq in)
MOD1500	5/8" Gel over 1" HR Foam In Seat
MOD1525	½" Cubed Gel over 1" HR Foam In Seat
MOD1595	5/8" Gel Partial Insert, Seat (max 100 sq in)
MOD1600	1" T-Foam In Seat
MOD1605	½" T-Foam In Seat
MOD1615	1 ½" T-Foam In Seat
MOD1700	2" T-Foam In Seat
MOD1800	1" Sunmate Foam In Seat
MOD1805	½" Sunmate Foam In Seat
MOD1815	1 ½" Sunmate Foam In Seat
MOD1900	2" Sunmate Foam In Seat

## UPHOLSTERY MODIFICATIONS

MOD4125	Hook & Loop strips, Loop sewn on bottom
MOD4125H	Hook & Loop strips, Hook sewn on bottom
MOD4126	Hook & Loop strips, Hook sewn on top
MOD5120	Add Hook/Loop Closure, Seat
MOD5130	Add Faux Sheepskin to contact surface of seat
MOD5150	Incontinent Film Covering, Seat
MOD5160	Removable Surface Area Cover, Zipper at bottom

\* MOD4665 Second Zippered Seat Cover can only be ordered with your initial Sculptured Seat order.

\*\* Sculptured Seat covers ordered *after* the system has been delivered are not always available. Please contact your Rehab Product Specialist for more information.

## STRUCTURAL MODIFICATIONS

MOD4150	Notches Back Post, 2" x 2"
MOD4153	Notches Back Post, 3" Deep
MOD4155	Notches For Front Hangers
MOD4175	Mid Seat Cutout For X-Braces
MOD4180	Foam Form Seat
MOD4200L	Offset Seat, Long On Left Side
MOD4200R	Offset Seat, Long On Right Side
MOD4300	T-style Seat
MOD4400	Anti-Thrust Seat
MOD4450	Quick Fit Anti-thrust Seat
MOD4460	Wedge Seat
MOD4500	Cubed Seat w/Cover (2x2x2 HR foam)
MOD4525	Custom Cubes in Seat
MOD4600	Contour Seat
MOD4620	Sculptured Seat
MOD4630	Quick-Fit Contoured Seat
MOD4635	Hip Relief, Sculptured Seat only
MOD4640L	Lateral Reinforcement, Seat, Left
MOD4640R	Lateral Reinforcement, Seat, Right
MOD4650	Replace Multi-Ply w/ABS, Seat
MOD4655L	Belt Strap Notch, Seat, Left
MOD4655R	Belt Strap Notch, Seat, Right
MOD4700	Built-In Medial Thigh Support
MOD4725	Built-In Contour Lateral Adductor in Seat
MOD4800	Seat Rail Foam Overlay
MOD4825	Seat Front-edge Bevel Undercut
MOD4850L	Pelvic Obliquity Addition (up to 1"), Left
MOD4850R	Pelvic Obliquity Addition (up to 1"), Right
MOD4900	Adjustable Split-seat
MOD4950	Ischial Shelf Addition
MOD5000	I-style Seat
MOD5700	Replace 1/2" Multi-ply with 3/4", Seat
MOD8000	Omit T Nuts, Seat
MOD9005	Pre-Fit Modifications
MOD9050	Oversize Seat, over 20", up to 24"
MOD9075	Oversize Seat, over 24" up to 28"

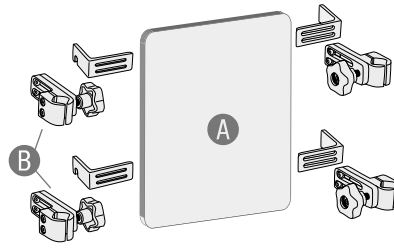
## COVERS

COV4100	Additional Zippered Seat Cover, Standard, Flat
COV4109	Additional Zippered Seat Cover, Custom
COV4110	Additional Slip Over Seat Cover, Standard, Flat
COV4119	Additional Slip Over Seat Cover, Custom
MOD4665*	Second Zippered Seat Cover, Sculptured
COV5209**	Replacement Zippered Seat Cover, Sculptured
COV99XX	Additional Zippered Cover, Foam Form

# BACKS | Insert packages

## When ordering

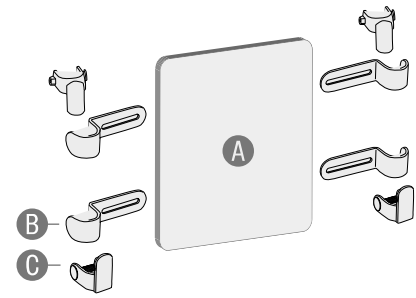
- Specify seat insert dimensions; see measurement forms at the back of this catalog
- Specify upholstery fabric and color
- 1" HR foam is standard, see Modifications table for upgrades
- Dimensions over 20" in width, height, or depth require additional modifications
- Standard hardware diameter is 1", specify if other is required
- 1/4-20 T-nuts included
- 1/2" Multi-ply base material is standard



### SBK10XX

Solid Back w/ Universal Hardware

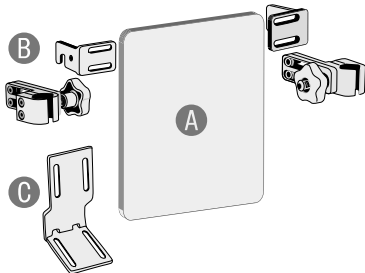
- A SBP10XX
  - B HDW6820L/R
- Up to 3" rear adjustment
  - Up to 7" forward adjustment can be attained by reversing orientation of clamp bracket (B)



### SBK12XX

Solid Back with Drop Hooks and Fixed Hold Downs

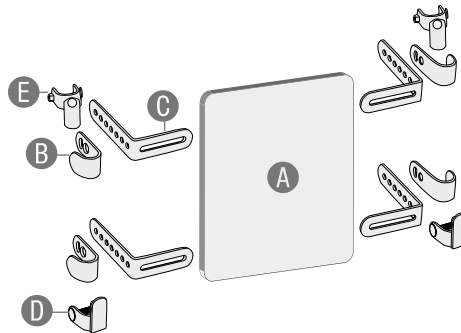
- A SBP10XX
  - B HDW6725
  - C HDW6460
- BETWEEN Back uprights
  - Standard hardware has 1½" drop. Specify if other is required.



### SBK17XX

Universal Back Hdw package

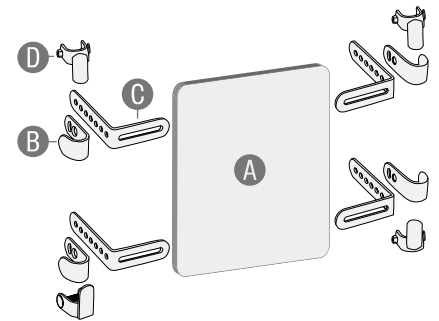
- A SBP10XX
  - B HDW6820L/R
  - C HDW1025
- This package includes a Seat to Back Hinge (HDW1025)
  - Configured to be ordered with SSK17XX



### SBK20XX

Solid Back with Adjustable J Hook and Fixed/Rotating Hold Downs

- A SBP10XX
  - B HDW6230
  - C HDW6170
  - D HDW6460
  - E HDW6465
- FORWARD of Back uprights
  - 7-hole L Bracket standard
  - Allows for up to 1" drop and up to 1½" forward adjustment
  - If ordering a CURVED back (MOD5500), switch bracket to 110 degree (HDW6175), or use Curved Foam (MOD5530) instead

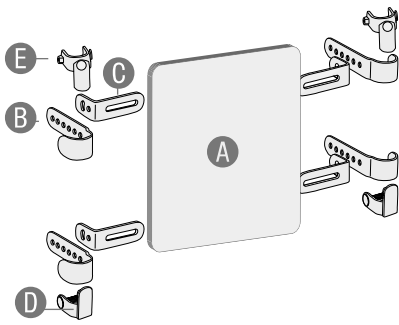


### SBK21XX

Solid Back with Adjustable J Hook and Fixed Hold Downs

- A SBP10XX
  - B HDW6230
  - C HDW6170
  - D HDW6460
- FORWARD of Back uprights
  - 7-hole L Bracket standard
  - If ordering a CURVED back (MOD5500), switch bracket to 110 degree (HDW6175), or use Curved Foam (MOD5530) instead

# BACKS | Insert packages

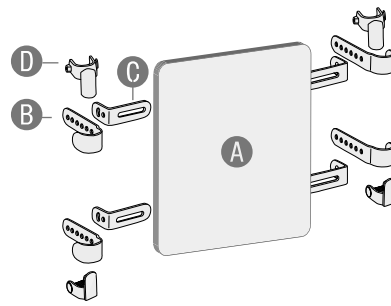


## SBK22XX

*Solid Back with Adjustable J Hook and Fixed/Rotating Hold Downs*

- A SBP10XX
- B HDW6236
- C HDW6120
- D HDW6460
- E HDW6465

- BETWEEN Back uprights
- Drop range: 7/8" up to 3"
- 6-hole J Hook standard

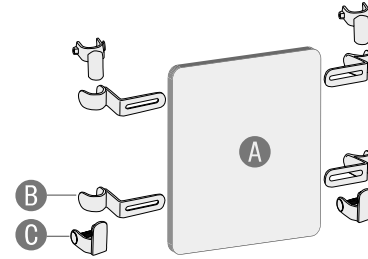


## SBK23XX

*Solid Back with Adjustable J Hooks and Fixed Hold Downs*

- A SBP10XX
- B HDW6236
- C HDW6120
- D HDW6460

- BETWEEN Back uprights
- 6-hole J Hook standard
- Drop range: 7/8" up to 3"

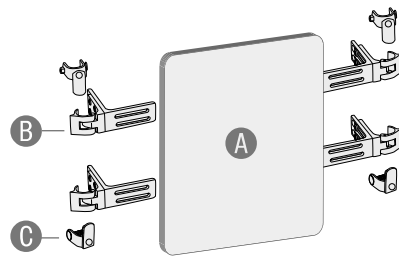


## SBK24XX

*Solid Back with Mounting Hooks and Fixed Hold Downs*

- A SBP10XX
- B HDW6331
- C HDW6460

- FORWARD of Back uprights
- Standard 1" of Lift
- Not recommended for use with CURVED backs, please use MOD5530 Curved Foam



## SBK25XX

*Solid Back with E-Z Mount Hdw and Rotating Hold Downs*

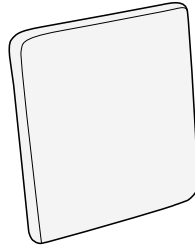
- A SBP10XX
- B HDW6850
- C HDW6465

- 10° to 15° angle adjustment
- Up to 1 3/8" drop adjustment
- Up to 1 3/8" forward adjustment
- Clamp accommodates 7/8" or 1" diameter W/C tubes
- Not available for use with CURVED backs, please use MOD5530 Curved Foam

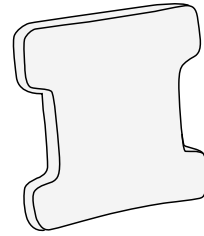
# BACKS | Solid inserts

## When ordering

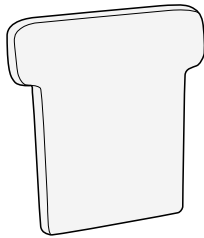
- Specify back insert dimensions; refer to measurement forms online or contact your RPS
- Specify upholstery fabric and color
- Dimensions over 20" in width, or height require additional modifications
- 1" HR foam is standard, see Modifications table for foam upgrades
- 1/4-20 T-nuts included
- 1/2" multi-ply base material is standard
- Mounting hardware not included
- When ordering as part of a package, please use MOD part number



**SBP10XX**  
Solid Back insert



**SBP20XX**  
I-style Back insert  
• May also be ordered as MOD5200



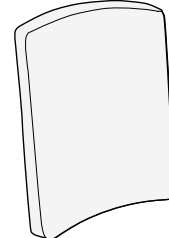
**SBP30XX**  
T-style Back insert

- Extender bars available—must be purchased separately
- May also be ordered as MOD5300



**SBP45XX**  
Bi-angular Back insert

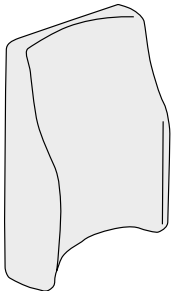
- Includes 2 adjustment brackets (HDW6826)
- Specify bracket placement from bottom of back
- May also be ordered as MOD5450



**SBP50XX**  
Curved Back insert  
• Maximum width is 22" for curved plywood  
• May also be ordered as MOD5500

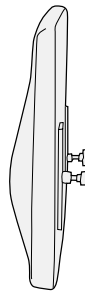
**SBP46XX**  
Bi-angular Back insert

- Includes 1 adjustment bracket (HDW6826)
- Specify bracket placement from bottom of back
- May also be ordered as MOD5451



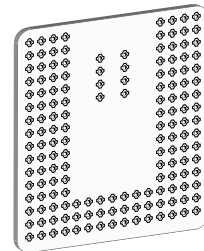
**SBP55XX**  
Contour Back insert

- Four way stretch fabric recommended for contact surface
- Outside lateral depth over 4" requires Lateral Reinforcements (MOD4645L/R)
- May also be ordered as MOD5800



**SBP60XX**  
Adjustable Lumbar Back insert

- Four way stretch fabric recommended for contact surface
- Specify apex of lumbar support from bottom of back—minimum is 3"
- Up to 5" height adjustment range
- Depth adjustment of lumbar ranges from 1/2" to 3"
- May also be ordered as MOD5460
- May also be ordered as MOD5461
- May also be ordered as MOD5462



**SB110XX**  
Solid Back Interface

- Includes 1/4-20 T-nuts
- Does NOT include foam or upholstery
- Clear coat finish

# BACKS | Modifications & Covers

## FOAM MODIFICATIONS

MOD0055	Omit Foam In Back
MOD2150	1 ½" HR foam in Back
MOD2180	1" Stimulite Honeycomb, Back
MOD2185	½" Stimulite Honeycomb, Back
MOD2195	Stimulite Honeycomb Partial Insert, Back
MOD2200	2" HR Foam In Back
MOD2300	3" HR Foam In Back
MOD2400	1" Pudgee Foam In Back
MOD2405	½" Pudgee Foam In Back
MOD2495	1" Pudgee Partial Insert (max 100 sq in)
MOD2500	⅝" Gel Overlay in Back, (⅝" Gel over 1" HR)
MOD2595	⅝" Gel Partial Insert (max 100 sq in)
MOD2600	1" T-Foam In Back
MOD2605	½" T-Foam In Back
MOD2615	1 ½" T-Foam In Back
MOD2650	½" T-Foam In Thoracic Support
MOD2700	2" T-Foam In Back
MOD2800	1" SunMate Foam In Back
MOD2805	½" SunMate Foam In Back
MOD2815	1 ½" SunMate Foam In Back
MOD2900	2" SunMate Foam In Back
MOD5525	Back Rail Foam Overlay
MOD5530	Curve Foam Addition To Flat Back

## UPHOLSTERY MODIFICATIONS

MOD5125	Add Hook & Loop closure to Back upholstery
MOD5135	Add Faux Sheepskin to contact surface of back
MOD5165	Removable Top Cover, zipper at center
MOD5900	Monogram Back w/Name, Block Letter (single line)
MOD5901	Monogram Back w/Name, Script Letter (single line)
MOD5902†	Monogram Back, Stock Design

†MOD5902 Stock Designs may be viewed online at [www.aesys.com](http://www.aesys.com)

## STRUCTURAL MODIFICATIONS

MOD4645L	Lateral Reinforcement, Contour/Sculptured, Left
MOD4645R	Lateral Reinforcement, Contour/Sculptured, Right
MOD4646L	E-Z Access Bracket Modification, Contour/Sculptured Back, Left
MOD4646R	E-Z Access Bracket Modification, Contour/Sculptured Back, Right
MOD5180	Foam Form Back
MOD5200	I Style Back
MOD5300	T Style Back
MOD5425	Half Round Lumbar Roll
MOD5426	Half Round Lumbar Roll w/Strap
MOD5450	Adjustable Bi-Angular Back, w/2 Adj Brackets
MOD5451	Adjustable Bi-Angular Back, w/1 Adj Bracket
MOD5460	Adjustable Lumbar Back w/ 5.5" Height Adjustment Range
MOD5461	Adjustable Lumbar Back w/ 3" Height Adjustment Range
MOD5462	Adjustable Lumbar Back w/ 7.5" Height Adjustment Range
MOD5500	Curved Back
MOD5501	Curved Back, w/2 ea Hinged L Brackets
MOD5502	Curved Back, w/4 ea Hinged L Brackets
MOD5550	Cubed Back w/Cover (2x2x2 HR cubes)
MOD5575	Custom Cubes in Back
MOD5650	Substitute ABS for Multi-Ply In Back
MOD5705	Replace 1/2" Multi-Ply with 3/4", Back
MOD5800	Contour Back Modification
MOD5801	Quick Fit Contour/Bi-Angular Back Modification
MOD5802	Quick Fit Contour Back Only
MOD5830	Arm Relief-Back, Contour/Sculptured
MOD5835	Harness Strap Notches, Back
MOD5850	Scapular Contour Cutout, Back
MOD5855	Top Edge Angle Cut, back
MOD8100	Omit T Nuts, Back
MOD9105	Pre-Fit Modifications, Back
MOD9150	Oversize Back; over 20" and up to 24"
MOD9175	Oversize Back; over 24" and up to 28"

## COVERS

COV5100	Additional Zippered Back Cover, Standard, Flat
COV5109	Additional Zippered Back Cover, Custom
COV5110	Additional Slip Over Back Cover, Standard, Flat
COV5119	Additional Slip Over Back Cover, Custom
MOD5665*	Second Zippered Back Cover, Sculptured
COV5219**	Replacement Zippered Back Cover, Sculptured
COV99XX	Additional Zippered Cover, Foam Form

\*MOD5665 Second Zippered Back Cover can only be ordered with your initial Sculptured Seat order.

\*\*Sculptured Seat covers ordered *after* the system has been delivered are not always available. Please contact your Rehab Product Specialist for more information.



# CUSTOM MOLDED | SculptureFit™

## When ordering

- **Contact AES Fresno (866) 237-0688 for all SculptureFit orders**
- **Order form required: available online at [www.aesys.com](http://www.aesys.com) or contact your Rehab Product Specialist**
- **Plaster/Foam cast is required, one-piece cast recommended**
- **Dimensions over 20" in width, height, or depth require additional modifications**
- **4-way stretch fabric is required. Neoprene is standard and is recommended for durability.**
- **AES recommends a second cover be purchased at time of initial order. OSHA regulations prohibit the return of used systems for cover refitting/re-upholstery.**
- **Premium pressure-relieving materials are recommended**



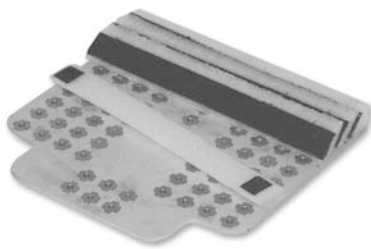
### SSP56XX

*Sculptured Solid Seat Insert*

### SBP56XX

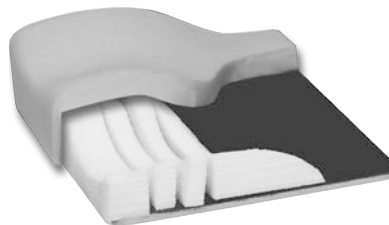
*Sculptured Solid Back Insert*

# CUSTOM MOLDED | Adjustable Contour Systems



### SSP45XX

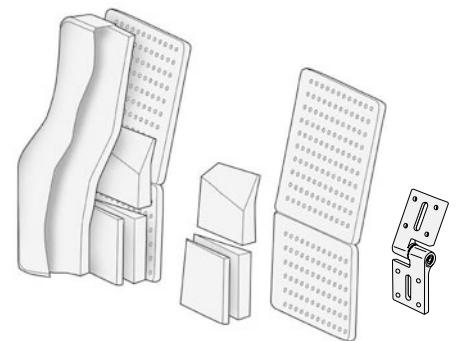
*Quick-Fit Anti-thrust Seat Insert*



### SSP65XX

*Quick-Fit Contoured Seat Insert*

- Darlexx face and side panels are standard
- 1 ½" HR foam is standard
- Does not include mounting hardware



### SBP54XX

*Quick-Fit Contour/Bi-angular Back Insert*

- 1" HR foam is standard
- Standard upholstery is Darlexx on face (client contact surface) and sides
- Includes HDW6826 Bi-angular back bracket
- Mounting hardware not included
- Specify bracket placement from bottom of back

# CUSTOM MOLDED | Foam Form



## SSP85XX

### Foam Form Solid Seat Insert

- Four-way stretch fabric required on face
- 1 unit liquid Soft SunMate in bottles (FFK1010) is standard, specify if medium density is desired, or if unit is preferred in bag form.
- Base foam layer standard is 1" Soft SunMate
- Standard cover is 4" high and includes dual-pull zipper along back edge and both sides; 1/4" soft SunMate sewn into face
- Plastic bag included for molding

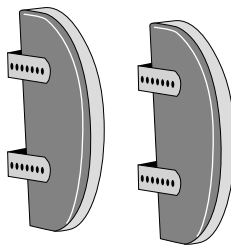
## SBP80XX

### Foam Form Solid Back Insert

- Four-way stretch fabric required on face
- 1 unit liquid Soft SunMate in bottles (FFK1010) is standard, specify if medium density is desired, or if unit is preferred in bag form
- Base foam layer standard is 1" soft SunMate
- Standard cover is 4" deep and includes dual-pull zipper on top and both sides, and 1/4" soft SunMate sewn into face
- Lateral supports are additional; refer to FTK part numbers for options
- Plastic bag included for molding

## FOAM FORM THORACIC SUPPORT KIT

- Each Kit contains two (2) thoracic supports and four (4) 7-hole L brackets
- Soft density liquid SunMate is standard
- Helps direct foam during pour
- Reinforces lateral section



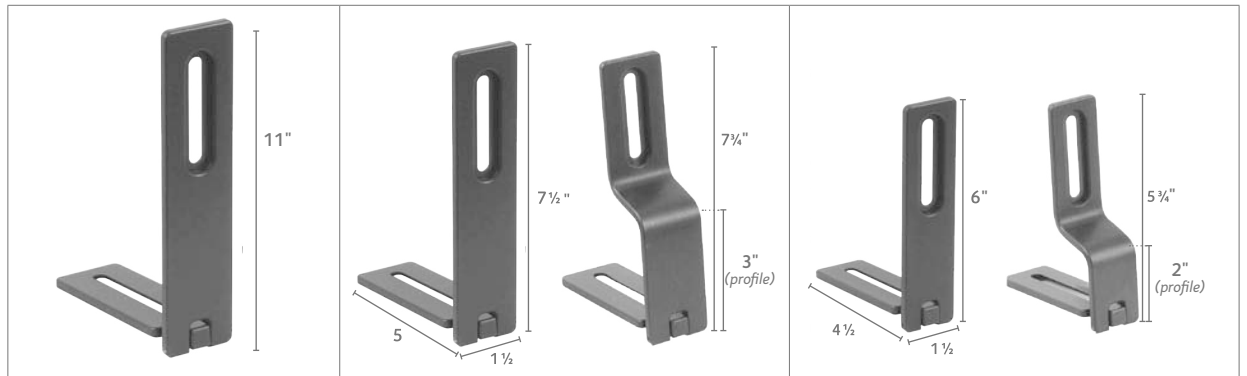
## FOAM FORM SUPPLIES

UNIT	BOTTLE	BAG
½	FFK1005	FFK1005B
1	FFK1010	FFK1010B
1½	FFK1015	FFK1015B

- Soft Density is Standard
- Medium Density is Standard

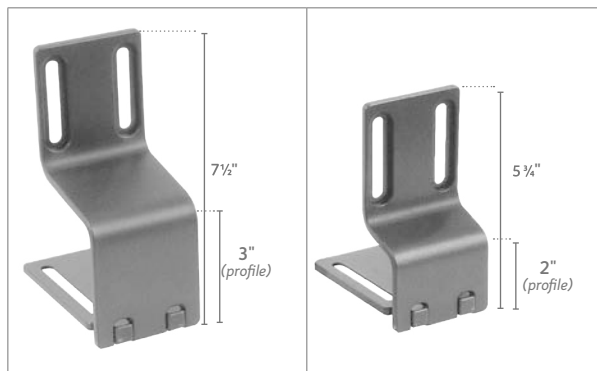
5H X 5D	7H X 5D	9H X 6D	11H X7D	CUSTOM
FTK10XX	FTK11XX	FTK12XX	FTK13XX	FTK19XX

# HARDWARE | Seat to Back brackets



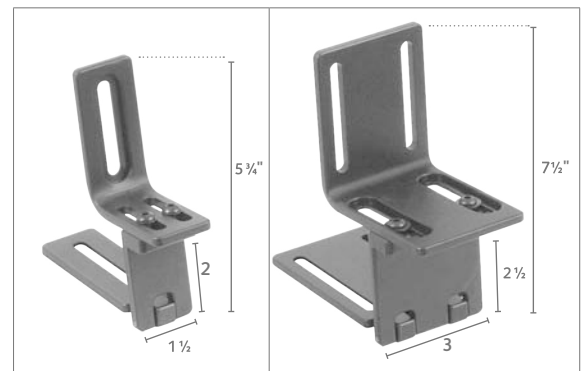
**HIGH PROFILE                      STANDARD PROFILE                      LOW PROFILE**

FLUSH	HDW1012	HDW1010	HDW1011
1 1/2" OFFSET	—	HDW1020	HDW1021
2" OFFSET	—	—	HDW1022
2 1/2" OFFSET	—	—	HDW1023
3" OFFSET	—	—	HDW1024



**WIDE, STD PROFILE                      WIDE, LOW PROFILE**

1 1/2" OFFSET	HDW1025	HDW1035
3" OFFSET	HDW1026	—



**ADJUSTABLE PED                      ADJUSTABLE WIDE**

HDW1055	HDW1045
---------	---------

- Allows up to 2" forward adjustment
- Bracket may be used in reverse configuration to achieve up to 2 3/4" adjustment. NOTE: if used in reverse, bracket will only clear a 2" rear seat thickness
- Allows up to 2 3/4" forward adjustment
- Bracket may be used in reverse configuration to achieve up to 3 3/4" adjustment. NOTE: if used in reverse, bracket will only clear a 2 1/2" rear seat thickness

SEAT DEPTH SPACER		
	1 1/2" WIDE	3" WIDE
1/4" THICK	PRT1025	PRT1125
1/2" THICK	PRT1050	PRT1150

## HARDWARE | Universal Seat Mounting Brackets

			
UNIVERSAL	UNIVERSAL, SPACE SAVER	UNIVERSAL, FIXED	UNIVERSAL, RECTANGULAR
HDW6810	HDW6817	HDW6819S	HDW6818

- Adjusts 3" above rail
- Adjusts 1" below rail
- Saddle cutout to mount on double rails

- Up to 3" height adjustment

- No height adjustment

- Limited height adjustment

## HARDWARE | Universal Back Mounting Brackets

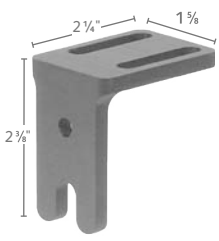
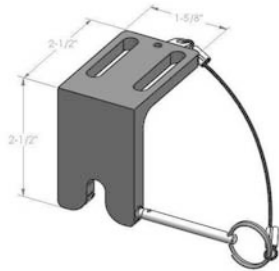
			
	UNIVERSAL	UNIVERSAL W/ HINGED L	UNIVERSAL, FIXED
LEFT	HDW6820L	HDW6820HL	HDW6819BL
RIGHT	HDW6820R	HDW6820HR	HDW6819BR

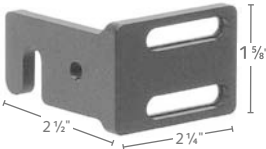
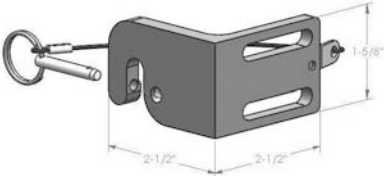
- Adjusts up to 7<sup>1</sup>/<sub>4</sub>" forward of rails
- Adjusts up to 3" behind rails


- For use on Curved Wood backs


- No depth adjustment

# HARDWARE | Universal Components

SEAT L BRACKETS		
	<b>STANDARD</b>	<b>TRANSPORT OPTION</b>
LEFT	HDW6813	HDW6863L
RIGHT		HDW6863R

BACK L BRACKETS		
	<b>STANDARD</b>	<b>TRANSPORT OPTION</b>
LEFT	HDW6823L	HDW6868L
RIGHT	HDW6823R	HDW6868R

BACK L BRACKETS	
	<b>HINGED</b>
LEFT	HDW6824L
RIGHT	HDW6824R

BACK L BRACKETS			
	100°	107°	110°
LEFT	HDW6803L	HDW6804L	HDW6805L
RIGHT	HDW6803R	HDW6804R	HDW6805R

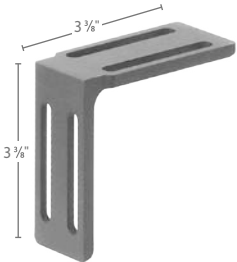
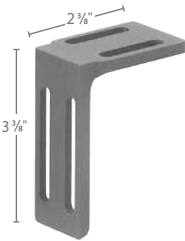
For use with Curved Wood Backs only

CLAMPS			
	<b>SEAT</b>	<b>BACK</b>	<b>FIXED</b>
	HDW6810C	HDW6820C	HDW6801C

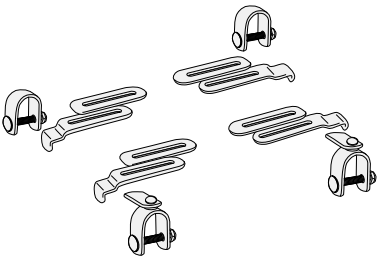
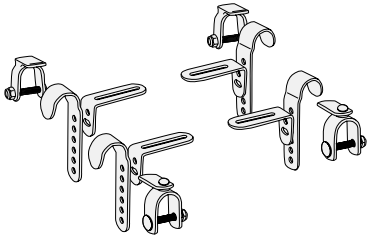
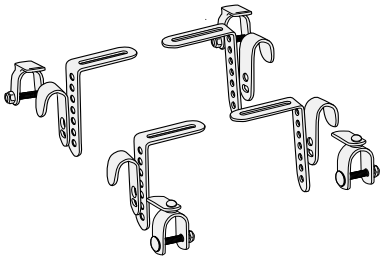
# HARDWARE | E-Z Mount

E-Z MOUNT BRACKETS				
	<b>E-Z MOUNT</b>	<b>E-Z MOUNT, SHORT</b>	<b>E-Z MOUNT FIXED</b>	
	1" TUBE	HDW6850	HDW6850P	HDW6853
	7/8" TUBE	HDW6851	HDW6851P	—
3/4" TUBE	HDW6852	HDW6852P	—	

E-Z MOUNT L BRACKETS

	
<b>STANDARD</b>	<b>SHORT</b>
PRT6850	HDW6855

# HARDWARE | J & L mounting kits

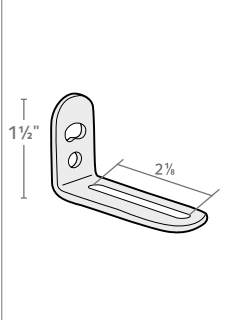
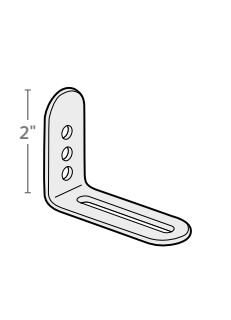
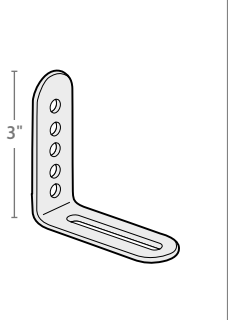
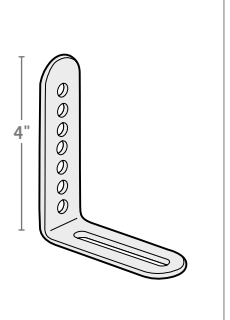
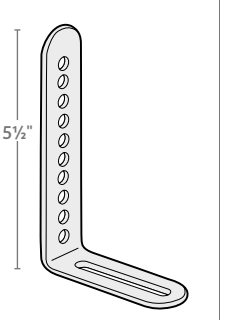
			
	<b>FLUSH HOOK SEAT HDW KIT</b>	<b>DROP HARDWARE KIT</b>	<b>FULL WIDTH HDW KIT</b>
1" TUBE	HDW0550	HDW0100	HDW0110
7/8" TUBE	HDW0560	HDW0078	HDW0178

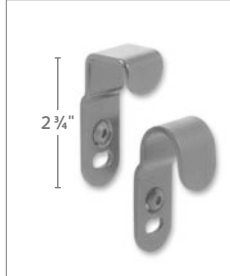
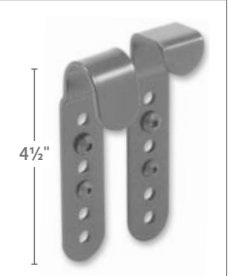
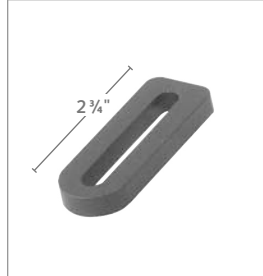

• All kits listed include fasteners


• All kits listed include fasteners

• All kits listed include fasteners

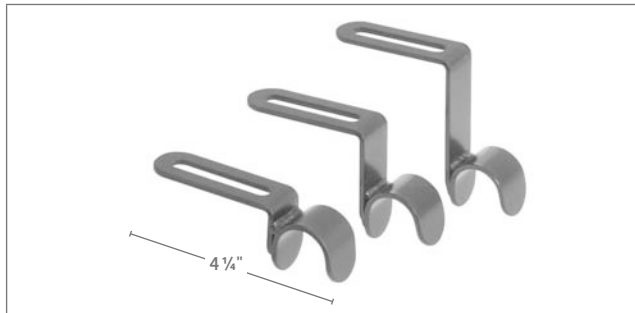
# HARDWARE | J & L components

ADJUSTABLE L BRACKETS						
	TWO HOLE	THREE HOLE	FIVE HOLE	SEVEN HOLE	TEN HOLE	
	STANDARD	HDW6120	HDW6130	HDW6150	HDW6170	HDW6110
	110 DEGREE	HDW6125	HDW6135	HDW6155	HDW6175	HDW6115
	ADJUSTMENT	—	—	1/2" forward	up to 1.5" forward	up to 3" forward

J HOOKS						
	TWO HOLE	SIX HOLE	DROP HOOK SPACER	SEAT TABS		
	3/4" TUBE	HDW6210	HDW6216	HDW6310	SHORT	HDW6301
	7/8" TUBE	HDW6220	HDW6226	• Spacer is 5/16" thick	LONG	HDW6303
	1" TUBE	HDW6230	HDW6236			
	RECTANGULAR	HDW6240	HDW6246			

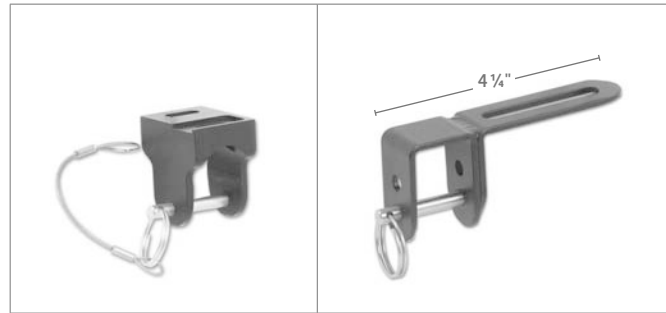
DROP MOUNT HOOKS								
	DROP	3/4"	1"	1 1/2"	2"	2 1/2"	3"	4"
	7/8" TUBE	HDW6710	HDW6711	HDW6715	HDW6712	HDW6716	HDW6713	HDW6714
	1" TUBE	HDW6720	HDW6721	HDW6725	HDW6722	HDW6726	HDW6723	HDW6724

## HARDWARE | J & L components



### MOUNTING HOOKS

LIFT	7/8" TUBE	1" TUBE
Ø	HDW6320	HDW6330
1"	HDW6321	HDW6331
2"	HDW6322	HDW6332



### MOUNTING HOOKS W/ RELEASE PINS

Flex Mounting Hook; 1"	Flush w/ Release Pin; Rectangular
HDW6482	HDW6481

- Full width seats only



	DROP STOP	DROP STOP W/ HOLD DOWN	DROP STOP W/ ROTATING HD
RAIL MOUNT	HDW6406	HDW6405	—
3/4" TUBE	HDW6410	HDW6440	HDW6445
7/8" TUBE	HDW6420	HDW6450	HDW6455
1" TUBE	HDW6430	HDW6460	HDW6465



### SHURLOCK WITH PULL RELEASE

28236 - RT

- Universal attachment—fits 7/8" and 1" round tube diameters

## HARDWARE | Bi-angular Back Brackets

NO TEETH	WITH TEETH	LONG
HDW6826T	HDW6826	HDW6826L



# LATERAL SUPPORT | Lateral Thoracic packages

## When ordering

- Specify pad size up to 5H x 6D, larger sizes may incur additional charges
- Specify if offset is needed
- Adjustment rail included; 6" is standard
- 1/2" Medium pressure-relieving foam is standard, please specify if other is desired
- Specify upholstery fabric and color
- Specify base material; upcharges may apply
- 1/4-20 T-nuts included
- Sold as EACH; order two (2) for bilateral application

**mh** Denotes Modular Hardware; components are interchangeable



### LTK22XX

Lateral Thoracic package w/ standard brkt, flat pad

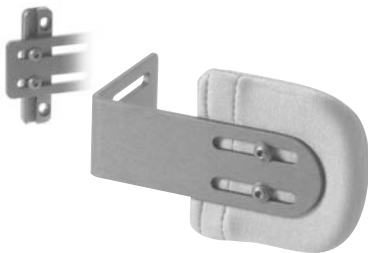
- Standard package includes flush, standard profile bracket
- Offset brackets in 1" or 2" available
- For CURVED BACKS, AES recommends package LTK34XX instead



### LTK23XX

Lateral Thoracic package w/ standard bracket, curved pad

- Standard package includes flush, standard profile bracket
- Offset brackets in 1" or 2" available
- For CURVED BACKS, AES recommends package LTK34XX instead



### LTK24XX

Lateral Thoracic package w/ Medium or High profile bracket, flat pad

- Standard package includes flush, medium profile bracket
- Offset brackets in 1" or 2" available
- For CURVED BACKS, AES recommends package LTK34XX instead



### LTK25XX

Lateral Thoracic package w/ E-Z Access Bracket, flat pad

- E-Z Access swing-away hinge pivot point can be rotated up to 130°
- For backs over 2" thick, height adapter is required
- Offset adapters available in 1" or 2"



### LTK27XX

Lateral Thoracic package w/ E-Z Access Bracket, curved pad

- E-Z Access swing-away hinge pivot point can be rotated up to 130°
- For backs over 2" thick, height adapter is required
- Offset adapters available in 1" or 2"



### LTK30XX

Lateral Thoracic package w/ Front Quick Adjust and E-Z Access Bracket, flat pad

- E-Z Access swing-away hinge pivot point can be rotated up to 130°
- For backs over 2" thick, height adapter is required
- Adjusts from 1/2" offset to 1" or 1 1/2" offset



### LTK34XX

Lateral Thoracic package w/ Fixed Modular bracket, flat pad

- For backs over 2" thick, height adapter is required
- Offset adapters available in 1" or 2"



### LTK35XX

Lateral Thoracic package w/ Rear Quick Adjust bracket, flat pad

- Rear Quick Adjust has 2" adjustment range: overall length expands from 3 3/4" to 5 3/4"
- For backs over 2" thick, height adapter is required
- Offset adapters available in 1" or 2"

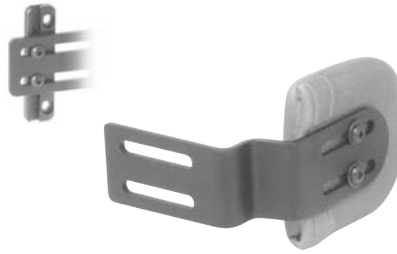
## LATERAL SUPPORT | Lateral Thoracic packages



### LTK37XX

*Lateral Thoracic package w/ Rear Quick Adjust and E-Z Access Bracket, flat pad*

- RQA has 2" width adjustment range: overall length expands from 3 3/4" to 5 3/4"
- E-Z Access swing-away hinge pivot point can be rotated up to 130°
- For backs over 2" thick, height adapter is required
- Offset adapters available in 1" or 2"



### LTK40XX

*Lateral Thoracic package w/ 1" Reverse Offset bracket, flat pad*

- Reverse offset Profile is 1 1/2"
- For CURVED BACKS or Backs over 1 1/2" thick, AES recommends package LTK34XX instead



### LTK45XX

*Lateral Thoracic package w/ Removable Bracket, flat pad*

- For backs over 2" thick, height adapter is required
- Offset adapters available in 1" or 2"

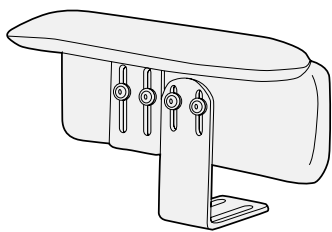


### LTK47XX

*Lateral Thoracic package w/ Rear Quick Adjust and Removable Bracket, flat pad*

- RQA has 2" width adjustment range: overall length expands from 3 3/4" to 5 3/4"
- For backs over 2" thick, height adapter is required
- Offset adapters available in 1" or 2"

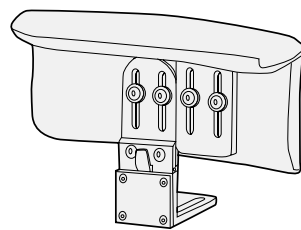
## LATERAL SUPPORT | Lateral Pelvic/Thigh/Armrest packages



### LPK40XX

*Lateral Pelvic/Thigh/Armrest Combo w/ standard fixed bracket*

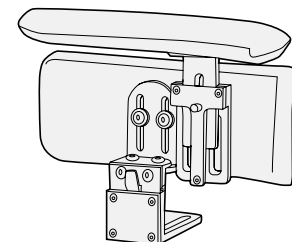
- Specify both pelvic pad and armrest pad dimensions
- Minimum pelvic pad height is 3 3/4"



### LPK41XX

*Lateral Pelvic/Thigh/Armrest Combo w/ Removable bracket*

- Specify both pelvic pad and armrest pad dimensions
- Minimum pelvic pad height is 3 3/4"
- For seats over 2" thick, height adapter is required



### LPK42XX

*Lateral Pelvic/Thigh/Armrest Combo w/ Removable and Height Adj bracket*

- Specify both pelvic pad and armrest pad dimensions
- Minimum pelvic pad height is 3 3/4"
- For seats over 2" thick, height adapter is required

# LATERAL SUPPORT | Lateral Pelvic/Thigh packages

## When ordering

- Specify pad size up to 5H x 18L, larger sizes may incur additional charges
- Specify upholstery fabric and color
- Standard Foam is 1/2" premium pressure-relieving material, specify if other is desired
- Specify base material; upcharges may apply
- 1/4-20 T-nuts included
- Sold as EACH; order two (2) for bilateral application



### LPK22XX

Lateral Pelvic/Thigh package w/ standard bracket, pad

- Standard fixed bracket available in 1", 2" or 3" offset
- Offset profile is 1 5/8" high



### LPK27XX

Lateral Pelvic/Thigh package w/ Removable bracket, pad

- Offset adapters available in 1" or 2"
- Height adapters available



### LPK32XX

Lateral Pelvic/Thigh package w/ Med/High Profile bracket, pad

- Medium profile bracket available in flush, 1, 2, or 3" offset
- Medium profile bracket offset is 2 1/4" high
- High profile bracket available in flush, 1" or 2" offset
- High profile bracket offset is 2 3/4" high



### LPK33XX

Lateral Pelvic/Thigh package w/ 20° Adj and Removable bracket, pad

- Up to 20° pivot adjustment
- For seats over 2" thick, height adapter is required
- Offset adapters available in 1" or 2"



### LPK34XX

Lateral Pelvic/Thigh package w/ Modular bracket

- For seats over 2" thick, height adapter is required
- Offset adapters available in 1" or 2"



### LPK55XX

Lateral Pelvic/Thigh package w/ 1" Reverse Offset bracket, pad

- Offset profile is 1 5/8" high

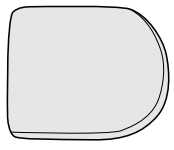
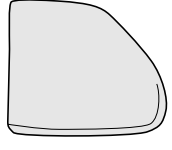
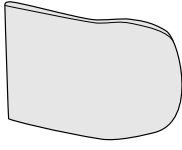


### LPK57XX

Lateral Pelvic/Thigh package w/ 20° Adjustable, fixed bracket

- Up to 20 degree pivot adjustment
- For seats over 2" thick, height adapter is required
- Offset adapters available in 1" or 2"

# LATERAL SUPPORT | Thoracic Pads

			
	<b>D-FORWARD</b>	<b>TAPERED</b>	<b>CURVED</b>
STANDARD	LTS25XX	LTS15XX	LTS35XX
CUSTOM	LTS29XX	LTS19XX	LTS39XX

RECOMMENDED THORACIC PAD SIZES

H	D
3	4
4	5
4	6
5	6

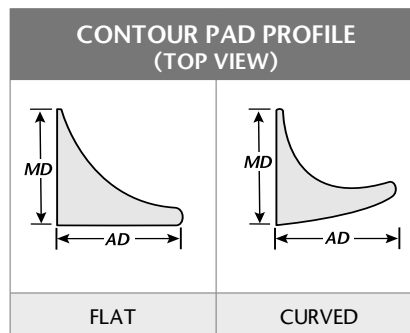
- Specify pad size; see standard size chart at right

- Specify pad size; standard sizes are listed in chart at right

- Specify pad size; standard sizes are listed in chart at right

	CONTOURED
STANDARD	LTS45XX
CUSTOM	LTS49XX

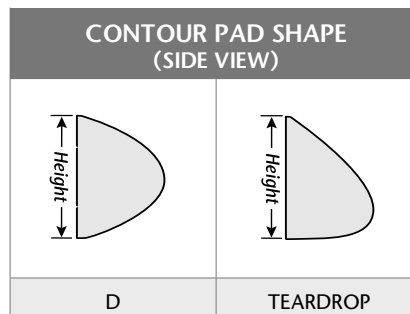
- Specify both pad profile and pad shape (at right) for contoured pads



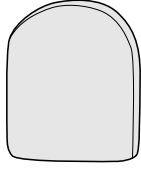
RECOMMENDED THORACIC CONTOURED PAD SIZES

H	AD	MD
5	5	2 ½
7	5	3
9	6	3
11	7	3 ½

AD=Anterior Depth  
MD=Medial Depth



# LATERAL SUPPORT | Pelvic/Thigh Pads

	
	<b>D-UP</b>
STANDARD	LPS24XX
CUSTOM	LPS29XX

RECOMMENDED PELVIC/THIGH PAD SIZES

H	L
3	4
4	5
4	6
5	6

- For full length, specify height and length
- D-up is standard—specify if D-forward is preferred

	
	<b>ADDUCTOR</b>
STANDARD	ADD24XX
CUSTOM	ADD29XX

RECOMMENDED ADDUCTOR PAD SIZES

H	L	H	L
3	4	4	8
4	5	4	10
4	6	5	12
5	6	5	14

- D-forward is standard—specify if D-up is preferred

# LATERAL SUPPORT | Modifications

## THORACIC PAD FOAM MODIFICATIONS

- MOD2550 Replace foam with ¼" Gel in Thoracic Support
- MOD2650 ½" T-Foam in Thoracic Support
- MOD2750 ½" Pudgee in Thoracic Support
- MOD2850 ½" Sunmate in Thoracic Support
- MOD2861 1" Sunmate in Thoracic Support
- MOD3100 Waterfall Foam Thoracic Sppt

## THORACIC PAD STRUCTURAL MODIFICATIONS

- MOD2950 Taper Front edge of Lateral Support
- MOD3000 Replace Multi-ply with ¼" ABS
- MOD3001 Flat metal base, up to 5x6"
- MOD3011 Curved metal base, up to 5x6"
- MOD3150 Contour-fit Pad
- MOD3175 Hinged Pad
- MOD5510 Curved Lateral Pad
- MOD6803† Curved Back Bracket

† Applies to Modular Hardware only

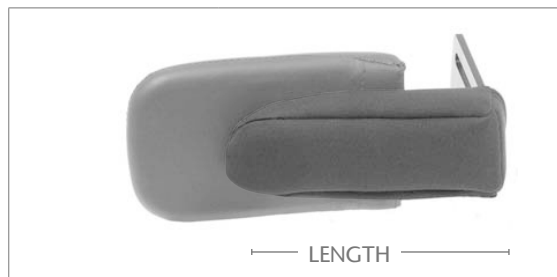
## PELVIC/THIGH PAD FOAM MODIFICATIONS

- MOD3550 Replace foam with ¼" Gel in Pelvic Support
- MOD3650 ½" T-foam in Pelvic Support
- MOD3750 ½" Pudgee in Pelvic Support
- MOD3850 ½" Sunmate in Pelvic Support
- MOD3861 1" Sunmate in Pelvic Support
- MOD3500 Waterfall Foam Pelvic Sppt

## PELVIC/THIGH PAD STRUCTURAL MODS

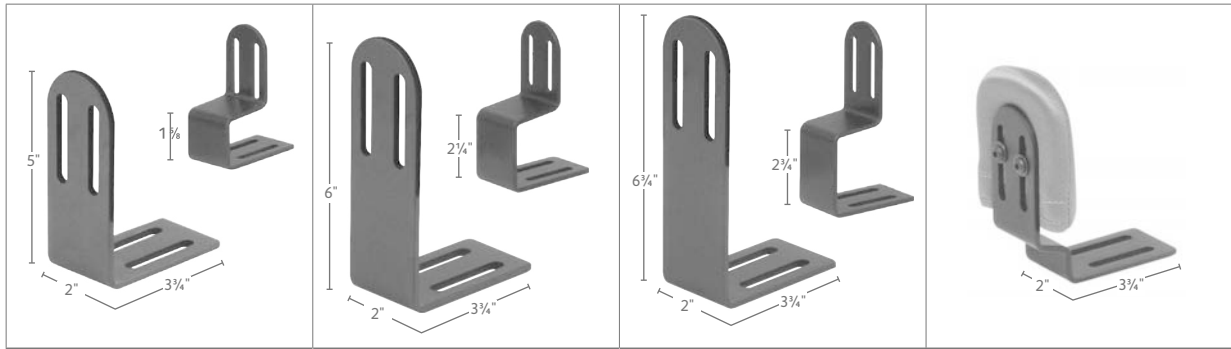
- MOD3025 D forward pad shape
- MOD3050 Replace multi-ply with 1/4" ABS
- MOD3055 Contoured Pelvic support for Anti-thrust seat

# LATERAL SUPPORT | Bracket Covers



		COVER LENGTH	ACCOMMODATES
S	COV2656	4 ½"	Pediatric (Short)
M	COV2666	6"	Flush
L	COV2657	7"	1" Offset, 1" Height Adapter
XL	COV2667	8"	2" Offset, 2" Height Adapter

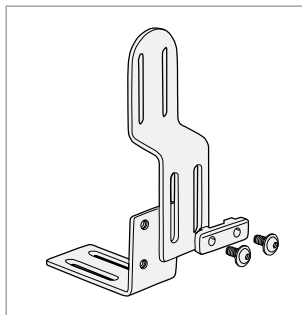
# LATERAL SUPPORT | Fixed Brackets



	STANDARD PROFILE	MEDIUM PROFILE	HIGH PROFILE	REVERSE OFFSET
FLUSH	HDW2000	HDW2001	HDW2002	—
1" OFFSET	HDW2100	HDW2103	HDW2102	HDW2410
2" OFFSET	HDW2200	HDW2203	HDW2202	—
3" OFFSET	HDW2300	HDW2303	—	—

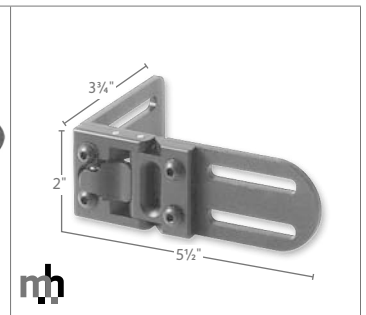
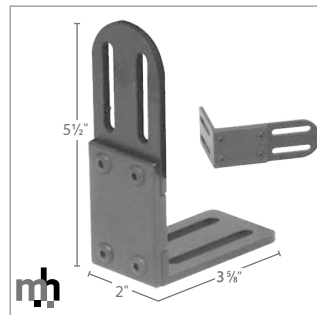
- Suitable for either thoracic or pelvic applications
- Suitable for either thoracic or pelvic applications
- Suitable for either thoracic or pelvic applications
- Suitable for either thoracic or pelvic applications
- Not available for Seats with X-brace cut outs

# LATERAL SUPPORT | Adjustable Bracket and Modular Brackets



ADJUSTABLE PROFILE	
1" OFFSET	HDW2105
2" OFFSET	HDW2205

- Suitable for either thoracic or pelvic applications
- Profile adjusts from 2 3/4" up to 4" high



	FIXED MODULAR	E-Z ACCESS swing-away
FLUSH	HDW2540	HDW2500
FLUSH: pediatric	HDW2540P	HDW2500P
1" OFFSET	HDW2640	HDW2600
1" OFFSET: pediatric	HDW2640P	HDW2600P
2" OFFSET	HDW2740	HDW2700
2" OFFSET: pediatric	HDW2740P	HDW2700P

- Suitable for either thoracic or pelvic applications
- Suitable for either thoracic or pelvic applications
- Pediatric (P) brackets are configured with both short pad mount plates and short mounting plates

# LATERAL SUPPORT | Modular Brackets



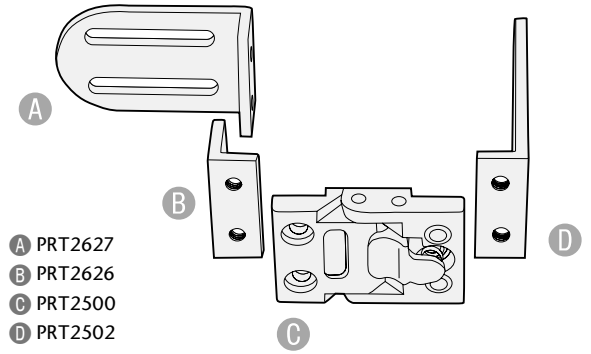
## HOW MODULAR HARDWARE WORKS

Each bracket is built of interlocking components that can be mixed and matched to achieve perfect positioning of secondary supports.

Modular hardware provides an economical and easy way to make changes to a client's system based upon their growth and evolving posture support needs.

For example: the bracket at right can be modified by replacing (D) PRT2502 Mounting Plate with HDW2501 for Rear Quick Adjust capabilities.

Replace (A) PRT Offset Pad Mount Plate and (B) Offset Adapter with PRT2625 Flush Pad Mount Plate for a flush lateral bracket.



<p><b>REAR QUICK ADJUST (RQA)</b></p>	<p><b>E-Z ACCESS swing away + RQA</b></p>	<p><b>E-Z ACCESS + FRONT Quick Adjust</b></p>
---------------------------------------	---	---

FLUSH	HDW2513	HDW2511	—
FLUSH: short		HDW2511P	—
1" OFFSET	HDW2613	HDW2611	HDW2655
1" OFFSET: short		HDW2611P	—
2" OFFSET	HDW2713	HDW2711	HDW2755
2" OFFSET: short		HDW2711P	—

- Recommended for lateral thoracic applications only
- Adapter required for Curved Back application

- Recommended for lateral thoracic applications only
- Adapter required for Curved Back application

- Recommended for lateral thoracic applications only
- HDW2655 adjusts to 1/2" and 1"
- HDW2755 adjusts to 1/2", 1", and 1 1/2"
- Adapter required for Curved Back application

<p><b>20° ADJUSTABLE FIXED</b></p>	<p><b>E-Z ACCESS REMOVABLE</b></p>	<p><b>20° ADJ + REMOVABLE</b></p>
------------------------------------	------------------------------------	-----------------------------------

FLUSH	—	HDW2550	—
FLUSH: short	—	HDW2550P	—
1" OFFSET	HDW2659	HDW2551	HDW2650
1" OFFSET: short	HDW2659P	HDW2551P	HDW2650P
2" OFFSET	HDW2759	HDW2552	HDW2750
2" OFFSET: short	HDW2759P	HDW2552P	HDW2750P

- Suitable for either thoracic or pelvic applications
- Adapter required for Curved Back application

- Suitable for either thoracic or pelvic applications
- Adapter required for Curved Back application

- Suitable for either thoracic or pelvic applications
- Adapter required for Curved Back application

# LATERAL SUPPORT | Modular Bracket components

PAD MOUNT PLATES												
	<table border="1"> <tr> <th>FLUSH</th> <th>OFFSET</th> <th>OFFSET + 20° ADJUSTABLE</th> <th>1/2" OFFSET ONLY</th> </tr> <tr> <td>STD</td> <td>PRT2625</td> <td>PRT2627</td> <td>PRT2653</td> </tr> <tr> <td>SHORT</td> <td>HDW2503</td> <td>HDW2509</td> <td>PRT2654</td> </tr> </table>	FLUSH	OFFSET	OFFSET + 20° ADJUSTABLE	1/2" OFFSET ONLY	STD	PRT2625	PRT2627	PRT2653	SHORT	HDW2503	HDW2509
FLUSH	OFFSET	OFFSET + 20° ADJUSTABLE	1/2" OFFSET ONLY									
STD	PRT2625	PRT2627	PRT2653									
SHORT	HDW2503	HDW2509	PRT2654									

- Add height adapter for increased profile
- For offset bracket, use Offset Pad Mount Plate and Offset Adapter
- Thoracic or Pelvic application
- Requires offset adapter (shown below)
- Thoracic or Pelvic application
- Requires 20° adjustable offset adapter (shown below)
- Thoracic or Pelvic application
- Use when only 1/2" offset is desirable
- Can not be configured with offset adapters or 20° adjustable offset adapters
- Thoracic or Pelvic application

ADAPTERS																
	<table border="1"> <tr> <th>HEIGHT ADAPTER</th> <th>OFFSET ADAPTER</th> <th>20° ADJ OFFSET MOUNT</th> </tr> <tr> <td>1"</td> <td>HDW2521</td> <td>PRT2626</td> </tr> <tr> <td>2"</td> <td>HDW2522</td> <td>PRT2727</td> </tr> <tr> <td>3"</td> <td>HDW2523</td> <td>—</td> </tr> </table>	HEIGHT ADAPTER	OFFSET ADAPTER	20° ADJ OFFSET MOUNT	1"	HDW2521	PRT2626	2"	HDW2522	PRT2727	3"	HDW2523	—	<table border="1"> <tr> <th>BRACKET EXTENSION</th> </tr> <tr> <td>SHORT</td> </tr> <tr> <td>LONG</td> </tr> </table>	BRACKET EXTENSION	SHORT
HEIGHT ADAPTER	OFFSET ADAPTER	20° ADJ OFFSET MOUNT														
1"	HDW2521	PRT2626														
2"	HDW2522	PRT2727														
3"	HDW2523	—														
BRACKET EXTENSION																
SHORT																
LONG																

- Use with modular brackets to accommodate thicker seats and backs
- Thoracic or Pelvic application
- Thoracic or Pelvic application
- Connects pad mount plate to mounting plate.
- Use with fixed modular bracket, RQA only bracket, 20° adjustable bracket

BRACKET SPACERS
1/4"
1/2"

MOUNTING PLATE
STD
SHORT

CURVED BACK ADAPTER
95 degree
110 degree
107 degree
100 degree
125 degree

REAR UPRIGHT MOUNT
HDW2515

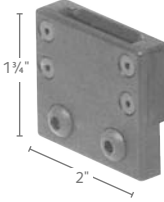
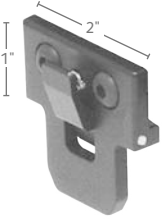
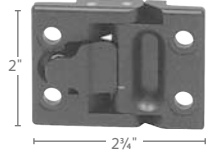
- Mounts to W/C upright canes, seat rail, or leg rest
- Fits 3/4, 7/8, and 1" tubing

- For use only with other modular hardware components and packages — can not be used with standard fixed brackets






# LATERAL SUPPORT | Modular Hardware components

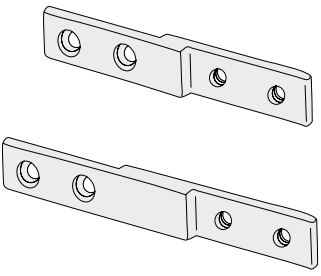
		
<b>REMOVABLE BRACKET BASE (female assembly)</b>	<b>REMOVABLE BRACKET, male assembly</b>	<b>E-Z ACCESS HINGE</b>
<b>PRT2601</b>	<b>PRT2650</b>	<b>PRT2500</b>

- Hinge rotates 130 degrees outward

	
<b>REAR QUICK ADJUST</b>	
<b>STD</b>	<b>HDW2501</b>
<b>95 degree</b>	<b>HDW2535</b>
<b>110 degree</b>	<b>HDW2502</b>
<b>107 degree</b>	<b>HDW2537</b>
<b>100 degree</b>	<b>HDW2538</b>

<b>ADJUSTMENT RAIL</b>				
	<b>2"</b>	<b>HDW7102</b>	<b>10"</b>	<b>HDW7110</b>
	<b>3"</b>	<b>HDW7103</b>	<b>12"</b>	<b>HDW7112</b>
	<b>4"</b>	<b>HDW7104</b>	<b>14"</b>	<b>HDW7114</b>
	<b>6"</b>	<b>HDW7106</b>	<b>16"</b>	<b>HDW7116</b>
	<b>7"</b>	<b>HDW7107</b>	<b>18"</b>	<b>HDW7118</b>
	<b>8"</b>	<b>HDW7108</b>		

- Can be rotated 180 degrees to move slot to medial
- Can be mounted in dual or staggered configurations

	
<b>DISTAL EXTENSION ADAPTER</b>	
<b>2"</b>	<b>HDW2527</b>
<b>3"</b>	<b>HDW2528</b>



## PRT0015

### Modular Hardware Kit

Case filled with the most commonly used Modular Hardware components

HDW2025	1/4" Bracket Spacer
HDW2050	1/2" Bracket Spacer
HDW2503	Pad Mount Plate, Short
HDW2504	Mounting Plate, short
HDW2505	110 Degree Curved Back Adapter
HDW2508	100 Degree Curved Back Adapter
HDW2509	Offset Pad Mounting Plate, Short
HDW2521	1" Height Adapter Plate
HDW2522	2" Height Adapter Plate
HDW2523	3" Height Adapter Plate
HDW2524	1" Fixed Lateral Extension
HDW2525	2" Fixed Lateral Extension
HDW2527	2" Distal Extension Adapter

HDW2528	3" Distal Extension Adapter
PRT2502	Mounting Plate, standard
PRT2601	E-Z Access Removable bracket base
PRT2625	Flush Pad Mount Plate
PRT2626	1" Offset Adapter
PRT2627	Offset Pad Mount Plate
PRT2650	E-Z Access Removable bracket, male assembly
PRT2651	1" Offset Mount, 20 Degree
PRT2652	2" Offset Mount, 20 Degree
PRT2653	Offset Pad Mount Plate, 20°
PRT2654	Offset Pad Mount Plate, 20°, short
PRT2727	2" Offset Adapter

NOTE: Kit carrying-case may be different than the one pictured

## PRT0020

### Fastener Kit

Assortment of t-nuts, screws, bolts, for mounting and adjusting Modular Hardware and other AES hardware

# MEDIAL SUPPORT | Medial Pelvic/Thigh support packages

## When ordering...

- Specify pad shape and size; standard sizes & dimensions are listed
- 1/2" Medium SunMate foam is standard, please specify if other is desired
- Specify upholstery fabric and color
- 1/4-20 T-nuts, unless otherwise noted
- Brackets made of aircraft-grade aluminum



### MTS W/ PULL-AWAY BRACKET

	1 1/2 - 2" ADJUSTMENT	2 - 3 1/2" ADJUSTMENT	3 1/2 - 5 1/2" ADJUSTMENT
STANDARD PAD	MTK93XX	MTK95XX	MTK97XX
CUSTOM PAD	MTK94XX	MTK96XX	MTK98XX

- |  |  |  |
|--|--|--|
| <ul style="list-style-type: none"> <li>• To ensure bracket clearance, add 1/2" to seat height for minimum adjustment range</li> <li>• L mount may be attached either proximally or distally</li> </ul> | <ul style="list-style-type: none"> <li>• To ensure bracket clearance, add 1/2" to seat height for minimum adjustment range</li> <li>• L mount may be attached either proximally or distally</li> </ul> | <ul style="list-style-type: none"> <li>• To ensure bracket clearance, add 1/2" to seat height for minimum adjustment range</li> <li>• L mount may be attached either proximally or distally</li> </ul> |
|--|--|--|



### MTS W/ HIDE AWAY BRACKET

	L MOUNT	T MOUNT
STANDARD PAD	MTK70XX	MTK72XX
CUSTOM PAD	MTK71XX	MTK73XX

- |  |   |
|--|---|
| <ul style="list-style-type: none"> <li>• To ensure bracket clearance, add 1/2" to seat height for minimum adjustment range</li> <li>• L mount may be attached either proximally or distally</li> </ul> | <ul style="list-style-type: none"> <li>• To ensure bracket clearance, add 1/2" to seat height for minimum adjustment range</li> </ul> |
|--|---|



### MTS W/ ADJUSTABLE HIDE AWAY BRACKET

	2-3" ADJUSTMENT	3-4" ADJUSTMENT
STANDARD PAD	MTK74XX	MTK76XX
CUSTOM PAD	MTK75XX	MTK77XX

- |  |  |
|--|--|
| <ul style="list-style-type: none"> <li>• To ensure bracket clearance, add 1/2" to seat height for minimum adjustment range</li> <li>• L mount may be attached either proximally or distally</li> </ul> | <ul style="list-style-type: none"> <li>• To ensure bracket clearance, add 1/2" to seat height for minimum adjustment range</li> <li>• L mount may be attached either proximally or distally</li> </ul> |
|--|--|

# MEDIAL SUPPORT | Medial Pelvic/Thigh support packages



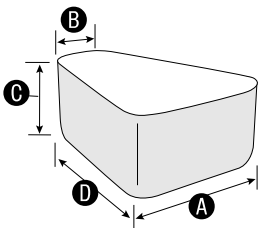
	MTS W/ SWING AWAY BRACKET	MTS W/ ADJUSTABLE SWING AWAY BRACKET	
	5" or 7" arm	2-3" ADJUSTMENT	3-4" ADJUSTMENT
STANDARD PAD	MTK10XX	MTK50XX	MTK60XX
CUSTOM PAD	MTK20XX	MTK55XX	MTK65XX

- To ensure bracket clearance, add 1/2" to seat height for minimum adjustment range
- Requires abductor height of 2" or more for pad attachment
- Pad attaches with wood screws
- Not recommended for use with 1/4" plywood seat base or thin pan base

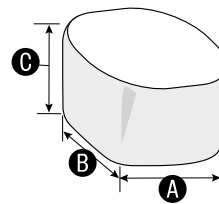
- To ensure bracket clearance, add 1/2" to seat height for minimum adjustment range
- Not recommended for use with 1/4" plywood seat base or thin pan base
- Keystock requires mounting with wood screws

- To ensure bracket clearance, add 1/2" to seat height for minimum adjustment range
- Not recommended for use with 1/4" plywood seat base or thin pan base
- Keystock requires mounting with wood screws

# MEDIAL SUPPORT | Pads



WEDGE		A	B	C	D
S	ABD10XX	3	2	3	4
M	ABD11XX	4½	2	3	5
L	ABD12XX	5	3	4	5
Custom	ABD19XX	Specify			



OVAL		A	B	C
XS	ABD37XX	2½	3½	3
S	ABD30XX	3	4	3
M	ABD31XX	4½	5	3
L	ABD32XX	5	5	4
Custom	ABD39XX	Specify		

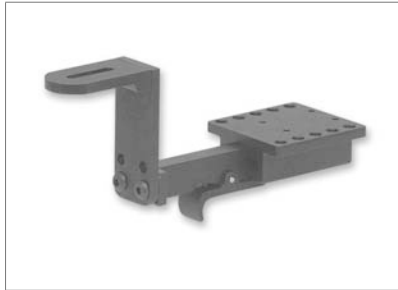
# MEDIAL SUPPORT | Modifications

## FOAM MODIFICATIONS

- MOD3555 Replace foam ¼" Gel in Medial Support
- MOD3655 ½" T-Foam in Support
- MOD3755 ½" Pudgee in Support

- MOD3856 1" Sunmate in Support
- MOD3857 Incontinence Film covering
- MOD3859 Custom Foam Modification

# MEDIAL SUPPORT | Brackets



Adjustment	PULL-AWAY
1½–2"	HDW4420
2–3 ½"	HDW4435
3½–5½"	HDW4455

- To ensure bracket clearance, add 1/2" to seat height for minimum adjustment range
- L mount may be attached either proximally or distally



Mounting Height	HIDEAWAY W/ L MOUNT
1½"	HDW4215
2½"	HDW4225
3"	HDW4230

- To ensure bracket clearance, add 1/2" to seat height for minimum adjustment range
- L mount may be attached either proximally or distally



Mounting Height	HIDEAWAY W/ T MOUNT
1½"	HDW4216
2½"	HDW4226
3"	HDW4231

- To ensure bracket clearance, add 1/2" to seat height for minimum adjustment range



Adjustment	ADJUSTABLE HIDEAWAY
2–3"	HDW4245
3–4"	HDW4250

- To ensure bracket clearance, add 1/2" to seat height for minimum adjustment range



Adjustment	ADJUSTABLE SWING AWAY
2–3"	HDW4115
3–4"	HDW4116

- To ensure bracket clearance, add 1/2" to seat height for minimum adjustment range
- Not recommended for use with 1/4" plywood seat base, or thin pan base
- Keystock requires mounting with wood screws

# MEDIAL SUPPORT | Brackets

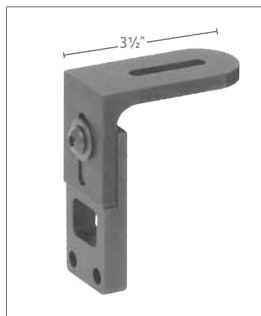


	SWING AWAY	FIXED
5" ARM	HDW4100	HDW4109
5" ARM, X-long base	HDW4101	—
7" ARM	HDW4110	HDW4119
7" ARM, X-long base	HDW4111	—

- To ensure bracket clearance, add 1/2" to seat height for minimum adjustment range
- Not recommended for use with 1/4" plywood seat base or thin pan base
- Keystock requires mounting with wood screws

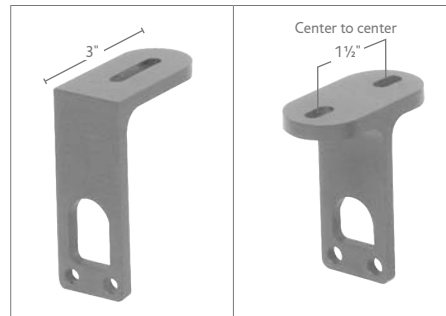
- To ensure bracket clearance, add 1/2" to seat height for minimum adjustment range
- Not recommended for use with 1/4" plywood seat base or thin pan base
- Keystock requires mounting with wood screws

# MEDIAL SUPPORT | Bracket Components

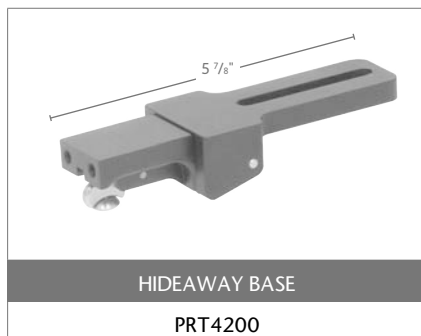


ADJUSTABLE MOUNT

SHORT (2-3")	PRT4245
TALL (3-4")	PRT4250



Mounting Height	L MOUNT	T MOUNT
1 1/2"	PRT4215	PRT4216
2"	PRT4221	PRT4220
2 1/2"	PRT4225	PRT4222
3"	PRT4230	PRT4231



HIDEAWAY BASE

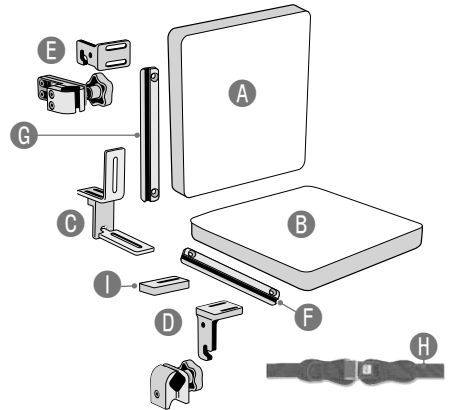
PRT4200



Designed exclusively for wheelchair frames 14" and under, the Li'l Kiddos product line includes many innovations in pediatric and early intervention seating. Li'l Kiddos gives therapists and clinicians a pro-active approach to pediatric postural support.

### When ordering:

- Specify seat insert and back insert dimensions up to 14" W
- Standard materials include:  
1/4" plywood base with T-nuts  
1" pressure-relieving material in back and  
1" pressure-relieving material in seat
- Adjustment rails are configured for 10-32 attaching hardware
- Specify upholstery fabric and color
- Curved Back modification can not be applied to Li'l Kiddos systems: please note some package options include MOD5530 Curve Foam
- Additional Seat Modifications may be found on page 6
- Additional Back Modifications may be found on page 10

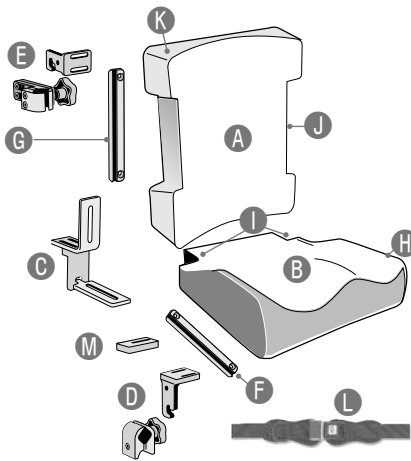


### PKG40XX

Li'l Kiddos Seating system package

Part #.....Qty	Part #.....Qty
A SBP11XX..... 1	E HDW7820... 2*
B SSP11XX..... 1	F HDW7110... 2
C HDW1055... 1	G HDW7112... 2
D HDW7819S... 2*	H APB5115.....1
	I HD6305..... 2

\* One each Left (L) and Right (R)

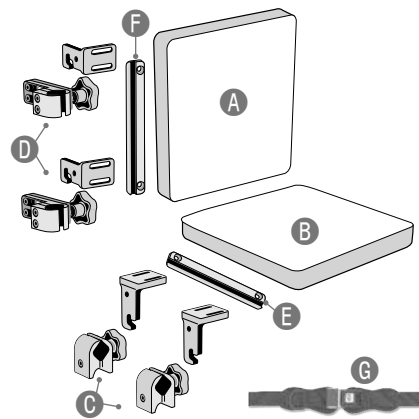


### PKG41XX

Li'l Kiddos Contoured Seating system package

Part #.....Qty	Part #.....Qty
A SBP11XX..... 1	G HDW7112... 2
B SSP11XX..... 1	H MOD4600... 1
C HDW1055... 1	I MOD4153... 1
D HDW7819S... 2*	J MOD5200... 1
E HDW7820... 2*	K MOD5530... 1
F HDW7110... 2	L APB5115... 1
	M HDW6305... 2

\* One each Left (L) and Right (R)

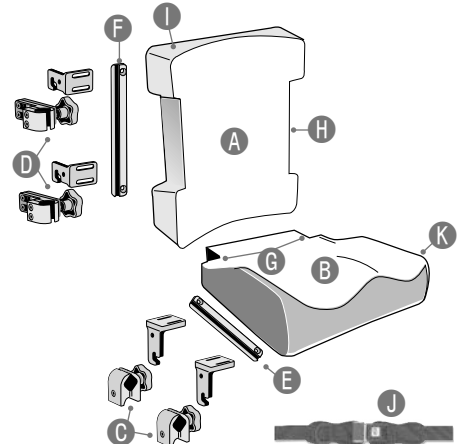


### PKG42XX

Li'l Kiddos Independent Seat and Back package

Part #.....Qty	Part #.....Qty
A SBP11XX..... 1	E HDW7110... 2
B SSP11XX..... 1	F HDW7112... 2
C HDW7819S... 4*	G APB5115... 1
D HDW7820... 4*	

\* Two each Left (L) and Right (R)

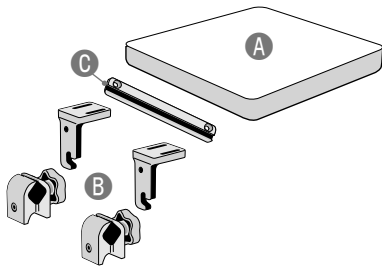


### PKG43XX

Li'l Kiddos Contoured Independent Seat and Back package

Part #.....Qty	Part #.....Qty
A SBP10XX... 1	G MOD4153... 1
B SSP10XX... 1	H MOD5200... 1
C HDW7819S... 4*	I MOD5530... 1
D HDW7820... 4*	J APB5115... 1
E HDW7110... 2	K MOD4600... 1
F HDW7112... 2	

\* Two each Left (L) and Right (R)



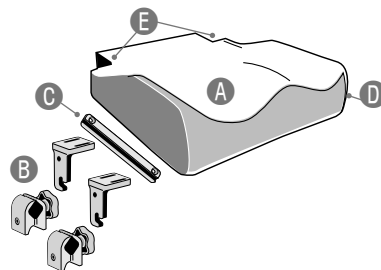
## SSK70XX

Solid Seat Insert Package, Li'l Kiddos

Part #.....Qty

- A SSP11XX ..... 1
- B HDW7819S\* . 4
- C HDW7110 ..... 2

\* TWO each Left (L) and Right (R)



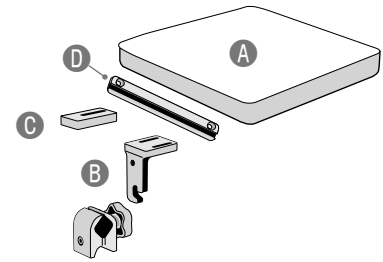
## SSK71XX

Solid Seat Insert Package, Li'l Kiddos, Contoured

Part #.....Qty

- |                   |                  |
|-------------------|------------------|
| A SSP11XX ..... 1 | D MOD4153 .....1 |
| B HDW7819S* . 4   | E MOD4600 ...1   |
| C HDW7110 ..... 2 |                  |

\* TWO each Left (L) and Right (R)



## SSK77XX

Seat and Hardware Package, Li'l Kiddos,

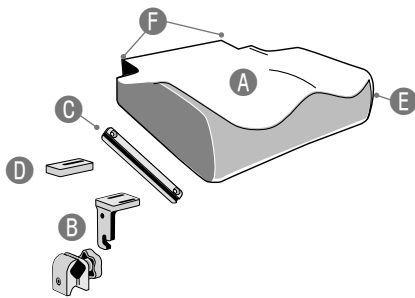
Part #.....Qty

Part #.....Qty

- |                   |                |
|-------------------|----------------|
| A SSP11XX ..... 1 | C HDW6305... 2 |
| B HDW7819S* . 2   | D HDW7110... 2 |

\* ONE each Left (L) and Right (R)

- Configured to be ordered with SBK77XX OR SBK78XX



## SSK78XX

Seat and Hardware Package, Li'l Kiddos, Contoured

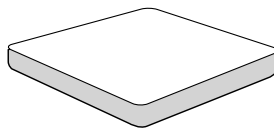
Part #.....Qty

Part #.....Qty

- |                   |                  |
|-------------------|------------------|
| A SSP11XX ..... 1 | D HDW6305... 2   |
| B HDW7819S* . 2   | E MOD4153 .....1 |
| C HDW7110 ..... 2 | F MOD4600 ...1   |

\* ONE each Left (L) and Right (R)

- Configured to be ordered with SBK77XX OR SBK78XX



## SSP11XX

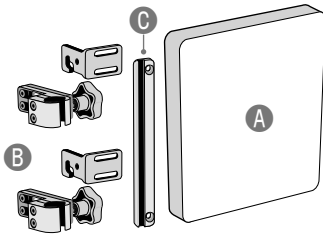
Li'l Kiddos, Solid Seat Insert

- Hardware not included
- Requires adjustment rails to interface with Li'l Kiddos attaching hardware

# Li'l Kiddos | Seat modifications

👉 Please refer to Page 6 for all Seat Modifications

# Li'l Kiddos | Back insert packages



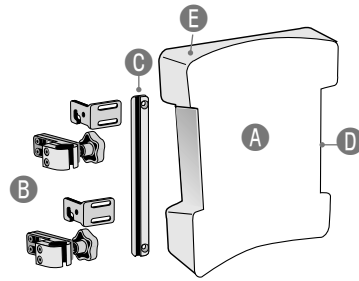
## SBK70XX

*Li'l Kiddos Back Insert Package*

Part #.....Qty

- A SBP11XX ..... 1
- B HDW7820\* .. 4
- C HDW7112 .... 2

\* TWO each Left (L) and Right (R)



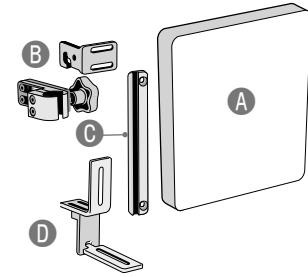
## SBK71XX

*Solid Back Insert Package, Li'l Kiddos, Contoured*

Part #.....Qty

- A SBP11XX ..... 1
- B HDW7820\* .. 4
- C HDW7110 .... 2
- D MOD5200 ...1
- E MOD5530...1

\* TWO each Left (L) and Right (R)



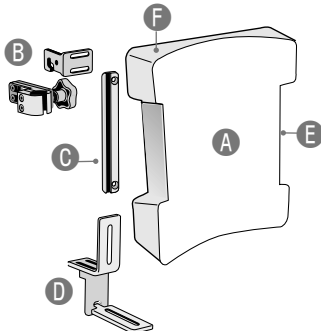
## SBK77XX

*Back and Hardware Package, Li'l Kiddos,*

Part #.....Qty

- |                   |                 |
|-------------------|-----------------|
| A SBP11XX ..... 1 | C HDW7112.... 2 |
| B HDW7820* .. 2   | D HDW1055 ....1 |

\* ONE each Left (L) and Right (R)



## SBK78XX

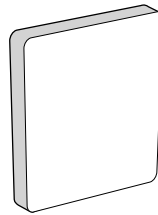
*Back and Hardware Package, Li'l Kiddos, Contoured*

Part #.....Qty

- |                   |                 |
|-------------------|-----------------|
| A SSP11XX ..... 1 | D HDW1055 ... 2 |
| B HDW7819S* .. 2  | E MOD5200 ...1  |
| C HDW7112 .... 2  | F MOD5530...1   |

\* ONE each Left (L) and Right (R)

- Configured to be ordered with SSK77XX OR SSK78XX



## SBP11XX

*Li'l Kiddos, Solid Back Insert*

- Hardware not included
- Requires adjustment rails to interface with attaching hardware.

# Li'l Kiddos | Back modifications

➤ Please refer to Page 10 for all Back Modifications



LI'L KIDDOS SEAT BRACKETS

	<b>ADJUSTABLE</b>	<b>FIXED</b>	<b>SEAT L BRACKET</b>
<b>LEFT</b>	<b>HDW7810L</b>	<b>HDW7819SL</b>	<b>HDW7861L</b>
<b>RIGHT</b>	<b>HDW7810R</b>	<b>HDW7819SR</b>	<b>HDW7861R</b>

- Hardware is slotted for 10-32 and requires adjustment rails on seats and backs
- Up to 2" height adjustment range and up to 2" drop adjustment range
- Hardware is slotted for 10-32 and requires adjustment rails on seats and backs
- Hardware is slotted for 10-32 and requires adjustment rails on seats and backs

LI'L KIDDOS BACK BRACKETS

	<b>ADJUSTABLE</b>	<b>FIXED</b>	<b>BACK L BRACKET</b>
<b>LEFT</b>	<b>HDW7820L</b>	<b>HDW7819BL</b>	<b>HDW7866L</b>
<b>RIGHT</b>	<b>HDW7820R</b>	<b>HDW7819BR</b>	<b>HDW7866R</b>

- Hardware is slotted for 10-32 and requires adjustment rails on seats and backs
- Up to 2" height adjustment range and up to 2" drop adjustment range
- Hardware is slotted for 10-32 and requires adjustment rails on seats and backs
- Hardware is slotted for 10-32 and requires adjustment rails on seats and backs

<b>SEAT TRANSPORT OPTION</b>	<b>BACK TRANSPORT OPTION</b>
<b>HDW7862</b>	<b>HDW7867L</b>
	<b>HDW7867R</b>

LI'L KIDDOS E-Z MOUNT

<b>7/8"</b>	<b>HDW7851</b>
<b>1"</b>	<b>HDW7850</b>

- Hardware is slotted for 1/4-20
- Li'l Kiddos clamp is 1" wide for smaller, space-challenged frames

## When ordering

- **NOTE: ADJUSTMENT RAILS NOT INCLUDED** with Lateral Thoracic packages. Some seat packages and some back packages come standard with Adjustment rails, please check before ordering rails separately
- Specify pad size up to 5H x 6D, larger sizes may incur additional charges
- 1/4" base material and 10-32 T-nuts
- Specify if offset is needed
- 1/2" Medium Sunmate foam is standard, please specify if other is desired
- Specify upholstery fabric and color
- Sold as EACH; order two (2) for bilateral application



### LTK72XX

*Li'l Kiddos Lateral Thoracic Support Package*

- Specify Flush, 1/2" offset or 1" offset bracket



### LTK73XX

*Li'l Kiddos Lateral Thoracic Support Package w/ curved pad*

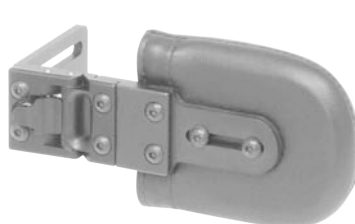
- Specify Flush, 1/2" offset or 1" offset bracket



### LTK74XX

*Li'l Kiddos Lateral Thoracic Support Package w/ Fixed Modular Bracket, flat pad*

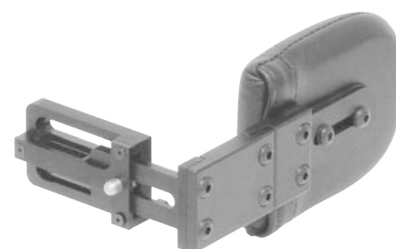
- Specify flush, 1/2" offset, 1" offset, 1 1/2" offset, or 2" offset
- 1" Height adapter included; 2" height adapter available



### LTK75XX

*Li'l Kiddos Lateral Thoracic Support Package w/E-Z Access Bracket*

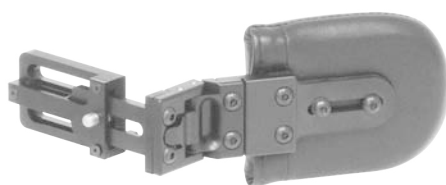
- Specify flush, 1/2" offset, 1" offset, 1 1/2" offset, or 2" offset
- 1" Height adapter included; 2" height adapter available



### LTK76XX

*Li'l Kiddos Lateral Thoracic Support Package, w/Rear Quick Adjust Bracket*

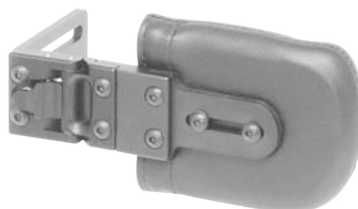
- Specify flush, 1/2" offset, 1" offset, 1 1/2" offset, or 2" offset
- 1" Height adapter included; 2" height adapter available



### LTK77XX

*Li'l Kiddos Lateral Thoracic Support Package w/Rear Quick Adjust and E-Z Access Bracket*

- Specify flush, 1/2" offset, 1" offset, 1 1/2" offset, or 2" offset
- 1" Height adapter included; 2" height adapter available



### LTK78XX

*Li'l Kiddos Lateral Thoracic Support Package w/E-Z Access Bracket, Curved Pad*

- Specify flush, 1/2" offset, 1" offset, 1 1/2" offset, or 2" offset
- 1" Height adapter included; 2" height adapter available

# Li'l Kiddos | Lateral Pelvic/Thigh Support packages



## When ordering

- **NOTE: ADJUSTMENT RAILS NOT INCLUDED** with Lateral Pelvic/Thigh packages. Some seat packages and some back packages come standard with Adjustment rails, please check before ordering rails separately
- Specify pad size up to 5H x 14L, larger sizes may incur additional charges
- 1/4" base material and 10-32 T-nuts
- Specify if offset is needed
- 1/2" Medium Sunmate foam is standard, please specify if other is desired
- Specify upholstery fabric and color
- Sold as EACH; order two (2) for bilateral application



### LPK72XX

Li'l Kiddos Lateral Pelvic/Thigh Support Package, w/Standard Bracket

- Specify Flush, 1/2" offset or 1" offset
- For offsets greater than 1", switch out to Modular bracket is required at an additional charge



### LPK74XX

Li'l Kiddos Lateral Pelvic/Thigh Support Package, w/Modular Fixed Bracket



### LPK75XX

Li'l Kiddos Lateral Pelvic/Thigh Support Package, w/ 20° Adjustable Bracket

- Specify 1" offset or 2" offset
- 1" Height adapter included; 2" height adapter is available



### LPK76XX

Li'l Kiddos Lateral Pelvic/Thigh Support Package w/High Profile Bracket

- Specify Flush, 1/2" offset or 1" offset
- For offsets greater than 1", switch out to Modular bracket is required at an additional charge



### LPK77XX

Li'l Kiddos Lateral Pelvic/Thigh Support Package, w/Removable Bracket

- Specify flush, 1/2" offset, 1" offset, 1 1/2" offset, or 2" offset
- 1" Height adapter included; 2" height adapter is available



### LPK78XX

Li'l Kiddos Lateral Pelvic/Thigh Support Package, w/Removable, 20° Adjustable Bracket

- Specify 1" offset or 2" offset
- 1" Height adapter included; 2" height adapter is available

# Li'l Kiddos | Thoracic Support Pads



	<b>D-FORWARD</b>	<b>TAPERED</b>	<b>CURVED</b>
STANDARD	LTS25XXLK	LTS15XXLK	LTS35XXLK
CUSTOM	LTS29XX	LTS19XX	LTS39XX

## RECOMMENDED THORACIC PAD SIZES

H	D
3	4
4	5
4	6
5	6

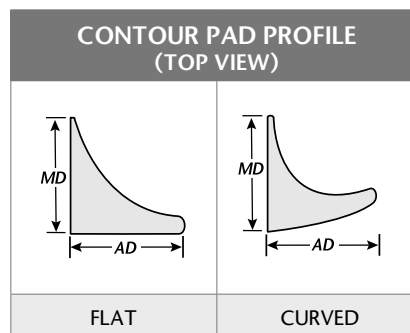
- Specify pad size; see standard size chart at right

- Specify pad size; standard sizes are listed in chart at right

- Specify pad size; standard sizes are listed in chart at right

	CONTOURED
STANDARD	LTS45XXLK
CUSTOM	LTS49XXLK

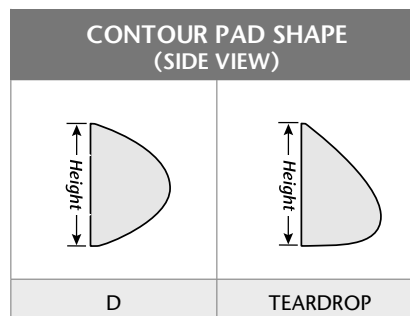
- Specify both pad profile and pad shape (at right) for contoured pads



## RECOMMENDED THORACIC CONTOURED PAD SIZES

H	AD	MD
5	5	2 ½
7	5	3
9	6	3
11	7	3 ½

AD=Anterior Depth  
MD=Medial Depth



# Li'l Kiddos | Pelvic/Thigh Support Pads

	<b>D-UP</b>
STANDARD	LPS24XXLK
CUSTOM	LPS29XXLK

- Standard is D-up—specify if D-forward is preferred
- For full-length pads, specify height and length

## STANDARD PELVIC/THIGH PAD SIZES

H	L
3	4
4	5
4	6
5	6

	<b>ADDUCTOR</b>
STANDARD	ADD24XXLK
CUSTOM	ADD29XXLK

- Standard is D-forward—specify if D-up is preferred
- For full-length pads, specify height and length

## RECOMMENDED ADDUCTOR PAD SIZES

H	L	H	L
3	4	4	8
4	5	4	10
4	6	5	12
5	6	5	14

# Li'l Kiddos | Lateral Modifications



## THORACIC SUPPORT FOAM MODIFICATIONS

- MOD2550 Replace foam w/ ¼" Gel in Thoracic Support
- MOD2650 ½" T-Foam in Thoracic Support
- MOD2750 ½" Pudgee in Thoracic Support
- MOD2861 1" Sunmate in Thoracic Support
- MOD3100 Waterfall Foam Thoracic Sppt

## THORACIC SUPPORT STRUCTURAL MODIFICATIONS

- MOD3150 Contour-Fit Pad
- MOD3175 Hinged Pad
- MOD5510 Curved Lateral Pad

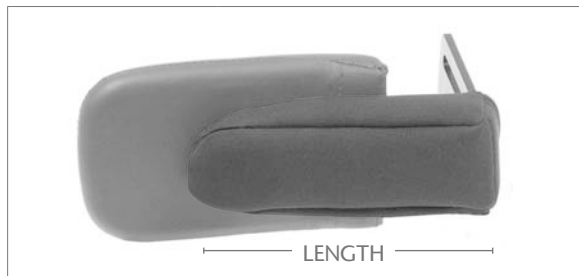
## PELVIC/THIGH SUPPORT FOAM MODIFICATIONS

- MOD3550 Replace foam w/ ¼" Gel in Pelvic Support
- MOD3650 ½" T-foam in Pelvic Support
- MOD3750 ½" Pudgee in Pelvic Support
- MOD3850 ½" Sunmate in Pelvic Support
- MOD3861 1" Sunmate in Pelvic Support
- MOD3500 Waterfall Foam Pelvic Sppt

## PELVIC/THIGH SUPPORT STRUCTURAL MODS

- MOD3025 D forward pad shape, up to 5x6"
- MOD3050 Replace multi-ply with 1/4" ABS
- MOD3055 Contoured Pelvic support for Anti-thrust seat

# Li'l Kiddos | Lateral Bracket Covers



		COVER LENGTH	ACCOMMODATES
SHORT	COV2650	4 ½"	Flush brackets
LONG	COV2651	5 ½"	Offset or Height adapter

FIXED BRACKETS		
	STANDARD FIXED	HIGH PROFILE FIXED
FLUSH	HDW5100	HDW5102
1/2" OFFSET	HDW5150	HDW5152
1" OFFSET	HDW5110	HDW5112

MODULAR BRACKETS			
	MODULAR FIXED	REAR QUICK ADJUST	E-Z ACCESS
FLUSH	HDW7540	HDW7513	HDW7500
1/2" OFFSET	HDW7545	HDW7553	HDW7505
1" OFFSET	HDW7640	HDW7613	HDW7600
1 1/2" OFFSET	HDW7645	HDW7653	HDW7605
2" OFFSET	HDW7740	HDW7713	HDW7700

MODULAR BRACKETS			
	RQA + E-Z ACCESS	REMOVABLE	REMOVABLE + 20° ADJUSTABLE
FLUSH	HDW7511	HDW3550	—
1/2" OFFSET	HDW7551	—	—
1" OFFSET	HDW7611	HDW3551	HDW3650
1 1/2" OFFSET	HDW7651	—	—
2" OFFSET	HDW7711	HDW3552	HDW3750

PAD MOUNT PLATES

FLUSH	OFFSET (1" or greater)	OFFSET + 20° ADJUSTABLE	OFFSET (1/2" only)
<b>PRT7625</b>	<b>PRT7627</b>	<b>PRT7653</b>	<b>PRT7624</b>

- Add height adapter for increased profile
- For offset bracket, use Offset Pad Mount Plate and Offset Adapter
- Thoracic or Pelvic application
- Slot sized for 10-32

- Requires offset adapter (shown below)
- Thoracic or Pelvic application
- Slot sized for 10-32

- Requires 20° adjustable offset adapter (shown below)

- Use when wanting to achieve 1/2" offset *only*— cannot be combined with Offset Adapters shown in table below
- Thoracic or Pelvic application
- Slot sized for 10-32

ADAPTERS

HEIGHT ADAPTER	OFFSET ADAPTER	20° ADJ OFFSET MOUNT	BRACKET EXTENSION
<b>PRT7521</b>	<b>PRT7626</b>	<b>PRT7651</b>	<b>PRT7525</b>

1/2"	—	[see PRT7624]	—
1"	<b>PRT7521</b>	<b>PRT7626</b>	<b>PRT7651</b>
1 1/2"	—	<b>PRT7628</b>	—
2"	<b>PRT7522</b>	<b>PRT7629</b>	<b>PRT7652</b>

- Use with modular brackets to accommodate thicker seats and backs

- Use with PRT7627 to achieve offset
- Thoracic or Pelvic application

- Requires PRT2653 (Offset, 20° adjustable pad mount plate)

- Connects pad mount plate to mounting plate.
- Use with fixed modular bracket, offset adapters, RQA only bracket, 20° adjustable bracket

MOUNTING PLATE	E-Z ACCESS HINGE	REAR QUICK ADJUST	REMOVABLE BASE	REMOVABLE PAD MNT
<b>PRT7502</b>	<b>PRT7500</b>	<b>PRT7501</b>	<b>PRT7601</b>	<b>PRT7650</b>

- Slots sized for 10-32

# Li'l Kiddos | Medial Thigh Support



## When ordering:

- Specify pad size and shape; standard sizes are listed below
- ½ Medium Sunmate foam is standard; specify if other is desired
- Specify upholstery fabric & color



ADJUSTMENT RANGE	1 ¼ – 2 ¾	2 ¾ – 4 ¼
STANDARD PAD PACKAGE	MTK31XX	MTK34XX
CUSTOM PAD PACKAGE	MTK33XX	MTK35XX

- To ensure bracket clearance, add 1/2" to seat height when ordering
- L Mount may be attached proximally or distally

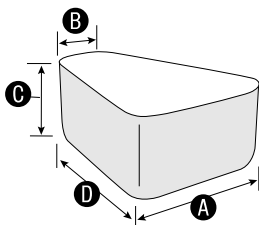
- To ensure bracket clearance, add 1/2" to seat height when ordering
- L Mount may be attached proximally or distally



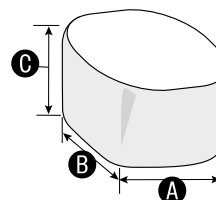
PULL-AWAY BRACKET	
1 ¼ – 2 ¾ adjustment	HDW3312
2 ¾ – 4 ¼ adjustment	HDW3327

- To ensure bracket clearance, add 1/2" to seat height when ordering

## MEDIAL SUPPORT | Pads



WEDGE		A	B	C	D
S	ABD10XX	3	2	3	4
M	ABD11XX	4 ½	2	3	5
L	ABD12XX	5	3	4	5
Custom	ABD19XX	Specify			



OVAL		A	B	C
XS	ABD37XX	2 ½	3 ½	3
S	ABD30XX	3	4	3
M	ABD31XX	4 ½	5	3
L	ABD32XX	5	5	4
Custom	ABD39XX	Specify		

## MEDIAL SUPPORT | Modifications

- MOD3555 Replace foam w/ ¼" Gel in Medial Support
- MOD3655 ½" T-Foam in Support
- MOD3755 ½" Pudgee in Support
- MOD3856 1" Sunmate in Support
- MOD3857 Incontinence Film covering



# HEAD SUPPORT | Whitmyer Biomechanix Systems



Order Whitmyer Biomechanix Head Support Systems directly from any AES location.

Packages shown below and on the next page highlight the most commonly-used systems. An expanded view of the complete Whitmyer Biomechanix product line is included on pages 45 and 46.

Detailed product information may be found in the Whitmyer Biomechanix catalog, or online at [www.whitbio.com](http://www.whitbio.com).



## **AXYS-P3L**

*8" PLUSH Pad w/AXYS bracket*

- Lycra cover
- AXYS detachable mounting bracket M2500 is sold separately
- Dartex Reverse cover is available; to order substitute the letter "V" in the above part number for "L"



## **COBRA-P3L**

*8" PLUSH Pad w/COBRA XTRA bracket*

- Lycra cover
- Detachable mounting bracket included
- Dartex Reverse cover is available; to order substitute the letter "V" in the above part number for "L"



## **FB-COBRA-P3L**

*8" PLUSH Pad w/ COBRA XTRA Flip Back bracket*

- Lycra cover
- Detachable mounting bracket included
- Dartex Reverse cover is available; to order substitute the letter "V" in the above part number for "L"



M2500 Mounting  
Bracket sold separately

## AXYS-P12L

*12" Narrow PLUSH I Pad w/AXYS bracket*

- Lycra cover
- AXYS detachable mounting bracket  
M2500 is sold separately
- Dartex Reverse cover is available; to order substitute the letter "V" in the above part number for "L"



## COBRA-P12L

*12" Narrow PLUSH Pad w/COBRA XTRA bracket*

- Lycra cover
- Detachable mounting bracket included
- Dartex Reverse cover is available; to order substitute the letter "V" in the above part number for "L"



## FB-COBRA-P12L

*12" Narrow PLUSH Pad w/ COBRA XTRA Flip Back bracket*

- Lycra cover
- Head Support Bracket features Swingaway capability
- Detachable mounting bracket included
- Dartex Reverse cover is available; to order substitute the letter "V" in the above part number for "L"



M2500 Mounting  
Bracket sold separately

## AXYS-CCS3L

*Medium Contoured Cradle Pad w/AXYS bracket*

- Lycra cover
- AXYS detachable mounting bracket  
M2500 is sold separately
- Dartex Reverse cover is available; to order substitute the letter "V" in the above part number for "L"



## COBRA-CCS3L

*Medium Contoured Cradle Pad w/COBRA XTRA bracket*

- Lycra cover
- Detachable mounting bracket included
- Dartex Reverse cover is available; to order substitute the letter "V" in the above part number for "L"



## FB-COBRA-CCS3L

*Medium Contoured Cradle Pad w/ COBRA XTRA Flip Back bracket*

- Lycra cover
- Head Support Bracket features Swingaway capability
- Detachable mounting bracket included
- Dartex Reverse cover is available; to order substitute the letter "V" in the above part number for "L"

# HEAD SUPPORT | Whitmyer Biomechanix Systems




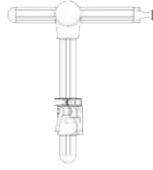











**STEP 1:**  
Choose Pad style in the first column.  
(See page 47 for pad sizes)

**STEP 2:**  
Choose Bracket Type from top row. Package part number is identified by the intersection of Pad row and Bracket column.

Pad sizes are specified in the part number suffix —please refer to pad size chart on page 47 to determine the correct size and part number.

**STEP 3 & 4:**  
Specify Head Support Cover Option.  
Specify either Detachable or Swingaway Head Support Mount.

						
	AXYS	ONYX	LINX	PRO	COBRA	COBRA-FB
 PLUSH	AXYS-P4 AXYS-P2 AXYS-P1 AXYS-P3 AXYS-P8	ONYX-P4 ONYX-P2 ONYX-P1 ONYX-P3 ONYX-P8	LINX-P4 LINX-P2 LINX-P1 LINX-P3 LINX-P8	PRO-P4 PRO-P2 PRO-P1 PRO-P3 PRO-P8	COBRA-P4 COBRA-P2 COBRA-P1 COBRA-P3 COBRA-P8	FB-COBRA-P4 FB-COBRA-P2 FB-COBRA-P1 FB-COBRA-P3 FB-COBRA-P8
 Adjust-A-PLUSH	AXYS-AP1 AXYS-AP2	ONYX-AP1 ONYX-AP2	LINX-AP1 LINX-AP2	PRO-AP1 PRO-AP2	COBRA-AP1 COBRA-AP2	FB-COBRA-AP1 FB-COBRA-AP2
 Specialty PLUSH	AXYS-P12 AXYS-CCP4 AXYS-CCP3 AXYS-CCP2	ONYX-P12 ONYX-CCP4 ONYX-CCP3 ONYX-CCP2 ONYX-P44 ONYX-P22	LINX-P12 LINX-CCP4 LINX-CCP3 LINX-CCP2 LINX-P44 LINX-P22	PRO-P12 PRO-CCP4 PRO-CCP3 PRO-CCP2 PRO-P44 PRO-P22	COBRA-P12 COBRA-CCP4 COBRA-CCP3 COBRA-CCP2	FB-COBRA-P12 FB-COBRA-CCP4 FB-COBRA-CCP3 FB-COBRA-CCP2
 Contoured Cradle	AXYS-CCS4 AXYS-CCS3 AXYS-CCS2	ONYX-CCS4 ONYX-CCS3 ONYX-CCS2	LINX-CCS4 LINX-CCS3 LINX-CCS2	PRO-CCS4 PRO-CCS3 PRO-CCS2	COBRA-CCS4 COBRA-CCS3 COBRA-CCS2	FB-COBRA-CCS4 FB-COBRA-CCS3 FB-COBRA-CCS2
 Single Sub-occipital	AXYS-SS10 AXYS-SS8 AXYS-SS4 AXYS-SS3	ONYX-SS10 ONYX-SS8 ONYX-SS4 ONYX-SS3	LINX-SS10 LINX-SS8 LINX-SS4 LINX-SS3	PRO-SS10 PRO-SS8  PRO-SS3	COBRA-SS10 COBRA-SS8 COBRA-SS4 COBRA-SS3	FB-COBRA-SS10 FB-COBRA-SS8 FB-COBRA-SS4 FB-COBRA-SS3
 S.O.F.T. Adult	AXYS-8 AXYS-5 AXYS-2 AXYS-1	ONYX-8 ONYX-5 ONYX-2 ONYX-1	LINX-8 LINX-5 LINX-2 LINX-1	PRO-8 PRO-5 PRO-2 PRO-1	COBRA-8 COBRA-5 COBRA-2 COBRA-1	FB-COBRA-8 FB-COBRA-5 FB-COBRA-2 FB-COBRA-1
 S.O.F.T. Pediatric	AXYS-7 AXYS-6 AXYS-4 AXYS-3	ONYX-7 ONYX-6 ONYX-4 ONYX-3	LINX-7 LINX-6 LINX-4 LINX-3	PRO-7 PRO-6 PRO-4 PRO-3	COBRA-7 COBRA-6 COBRA-4 COBRA-3	FB-COBRA-7 FB-COBRA-6 FB-COBRA-4 FB-COBRA-3
<b>COVER OPTION</b>	LYCRA (L) DARTEX® REVERSED (V)	LYCRA (L) DARTEX REVERSED (V)	LYCRA (L) DARTEX REVERSED (V)	LYCRA (L) DARTEX REVERSED (V)	LYCRA(L) DARTEX REVERSED (V)	LYCRA (L) DARTEX REVERSED (V)
<b>HEAD SUPPORT MOUNT</b>	DETACHABLE SWINGAWAY	DETACHABLE SWINGAWAY	DETACHABLE SWINGAWAY	DETACHABLE SWINGAWAY	DETACHABLE MOUNT INCLUDED	DETACHABLE MOUNT INCLUDED

# HEAD SUPPORT | Whitmyer Biomechanix Accessories



## STEP 1:

Choose Pad style in the first column. This step is to ensure the Accessory your choose is compatible with your Head Support package.

NOTE: each of the part numbers listed is an ADD-ON, and does not include a Head Support Pad.

## STEP 2:

Choose the Accessory desired in the top row. Accessory part number is identified by the intersection of Pad row and Accessory column.













NOTE: Multiple pad styles may share the same Accessory part numbers.

## STEP 3

If ordering a Unilateral or Bilateral Facial Component please specify cover option. Requires Lateral Facial Component Swingaway Mount, LM115.

LFC Pad sizes referenced on page 47.

NOTE: For all Bilateral Facial Components, order two (2) ea of LM115 Swingaway Mount























	 <b>DFS</b> DYNAMIC FOREHEAD STRAP	 <b>DFS<sup>2</sup></b> DYNAMIC FOREHEAD STRAP	 <b>STRAP CAP</b>	 <b>HEADZ-UP</b>	 <b>UNILATERAL FACIAL COMPONENT</b>	 <b>BILATERAL FACIAL COMPONENT</b>
 <b>PLUSH†</b>	<i>Adult</i> <b>DFS10</b> <i>Pediatric</i> <b>DFS30</b>	<i>Adult</i> <b>DFSQ10</b> <i>Pediatric</i> <b>DFSQ30</b>	<i>Adult</i> <b>CAP10</b> <i>Pediatric</i> <b>CAP30-R</b> <i>Pediatric</i> <b>CAP30-B</b>	<b>HU-10†</b>	LFC10-PL LFC15-PL LFC20-PL LFC25-PL LFC30-PL LFC35-PL LFC40-PL	LFC10-PL2 LFC15-PL2 LFC20-PL2 LFC25-PL2 LFC30-PL2 LFC35-PL2 LFC40-PL2
 <b>Specialty PLUSH†</b>	<i>Adult</i> <b>DFS10†</b> <i>Pediatric</i> <b>DFS30†</b>	<i>Adult</i> <b>DFSQ10†</b> <i>Pediatric</i> <b>DFSQ30†</b>				
 <b>Contoured Cradle</b>	<i>Adult</i> <b>DFS10</b> <i>Pediatric</i> <b>DFS30</b>	<i>Adult</i> <b>DFSQ10</b> <i>Pediatric</i> <b>DFSQ30</b>	<i>Adult</i> <b>CAP10</b> <i>Pediatric</i> <b>CAP30-R</b> <i>Pediatric</i> <b>CAP30-B</b>	<b>HU-10</b>	LFC10-CS LFC15-CS LFC20-CS LFC25-CS LFC30-CS LFC35-CS LFC40-CS	LFC10-CS2 LFC15-CS2 LFC20-CS2 LFC25-CS2 LFC30-CS2 LFC35-CS2 LFC40-CS2
 <b>Single Sub-occipital</b>					LFC10 LFC15 LFC20 LFC25 LFC30 LFC35 LFC40	LFC10 LFC15 LFC20 LFC25 LFC30 LFC35 LFC40
 <b>S.O.F.T. Adult</b>	<i>Adult</i> <b>DFS1</b> <i>Pediatric</i> <b>DFS3</b>	<i>Adult</i> <b>DFSQ1</b> <i>Pediatric</i> <b>DFSQ</b>	<i>Adult</i> <b>CAP1</b> <i>Pediatric</i> <b>CAP3-R</b> <i>Pediatric</i> <b>CAP3-B</b>	<b>HU-1</b>		
 <b>S.O.F.T. Pediatric</b>						For Bilateral application order two (2) each of the above part numbers
	† Anterior Support Options not recommended for 14" and 19" PLUSH systems		R=Red B=Blue	† Anterior Support Options not recommended for 14" and 19" PLUSH systems	Cover Option: LYCRA (L) DARTEX® REVERSED (V)	Cover Option: LYCRA (L) DARTEX® REVERSED (V)
					LM115 Mount required Must be ordered separately	LM115 Mount (x2) required Must be ordered separately

# HEAD SUPPORT | Whitmyer Biomechanix Pad Size Reference





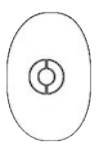



The following chart is provided as a reference for Head Support Pad sizing when ordering systems from page 45.

Pad configurations (WxH) are called out in the suffix of each part number. For example: AXYS-P4

P4 refers to a 19" PLUSH pad (19"W x 9"H)

HEAD SUPPORT PAD SIZE REFERENCE											
PLUSH		<b>P4</b>		<b>P2</b>		<b>P1</b>		<b>P3</b>		<b>P8</b>	
		19" x 9"		14" x 7½"		10" x 5"		8" x 5"		6" x 4"	
CCS		<b>CCS4</b>		<b>CCS3</b>		<b>CCS2</b>		<b>CCP4</b>		<b>CCP3</b>	<b>CCP2</b>
		13" x 7½"		10" x 6¼"		8½" x 5½"		7" x 6½"		6" x 5½"	5" x 4"
SSO		<b>SS10</b>		<b>SS8</b>		<b>SS4</b>		<b>SS3</b>			
		OCC: 10" x 5" SUB-OCC: 9" x 3"		OCC: 8" x 5" Sub-occ: 9" x 3"		OCC: 6" x 4" SUB-OCC: 9" x 3"		OCC: 5" x 2¼" SUB-OCC: 9" x 3"			
S.O.F.T. ADULT		<b>8</b>		<b>5</b>		<b>2</b>		<b>1</b>			
		OCC: 8" x 5" SUB-OCC: 8" x 3"		OCC: 10" x 5" SUB-OCC: 8" x 3"		OCC: 6" x 4" SUB-OCC: 4" x 3"		OCC: 6" x 4" SUB-OCC: 8" x 3"			
S.O.F.T. PED		<b>7</b>		<b>6</b>		<b>4</b>		<b>3</b>			
		OCC: 8" x 5" SUB-OCC: 7" x 2½"		OCC: 5" x 2¼" SUB-OCC: 4" x 2½"		OCC: 6" x 4" SUB-OCC: 7" x 2½"		OCC: 5" x 2¼" SUB-OCC: 7" x 2½"			

The following chart is provided as a REFERENCE for pad sizes and shapes on the Unilateral and Bilateral Facial Supports on page 46.

LATERAL FACIAL COMPONENT PAD SIZES							
							
	<b>SPOT</b>	<b>STANDARD</b>	<b>LONG</b>	<b>OVAL</b>	<b>LARGE "C"</b>	<b>MEDIUM "C"</b>	<b>SMALL "C"</b>
<b>REF #</b>	<b>LFC10</b>	<b>LFC15</b>	<b>LFC20</b>	<b>LFC25</b>	<b>LFC30</b>	<b>LFC35</b>	<b>LFC40</b>
<b>Dimensions</b>	2"	2¼" x 5"	2¼" x 7"	4" x 6"	2" x 6"	1¾" x 5"	1¼" x 4"



# HEAD SUPPORT | Packages

## Lateral/Posterior Head Supports with Whitmyer Core Bracket



PAD SIZE	AXYS	COBRA XTRA	COBRA XTRA FB	LINX
4x4"	AXYS-6835	COBRA-6835	FB-COBRA-6835	LINX-6835
5x5"	AXYS-6836	COBRA-6836	FB-COBRA-6836	LINX-6836
6x6"	AXYS-6837	COBRA-6837	FB-COBRA-6837	LINX-6837
6½x7"	AXYS-6838	COBRA-6838	FB-COBRA-6838	LINX-6838

- Includes M1210 adapter and Detachable Mounting Bracket
- Specify upholstery fabric and color

- Includes M1210 adapter and Detachable Mounting Bracket
- Specify upholstery fabric and color

- Includes M1210 adapter and Detachable Mounting Bracket
- Specify upholstery fabric and color

- Includes M1210 adapter and Detachable Mounting Bracket
- Specify upholstery fabric and color

## Headrest Extension Pads with Whitmyer Core Bracket



PAD TYPE	AXYS	COBRA XTRA	COBRA XTRA FB	LINX
FLAT	AXYS-6832	COBRA-6832	FB-COBRA-6832	LINX-6832
CURVED	AXYS-6833	COBRA-6833	FB-COBRA-6833	LINX-6833

- Includes M1210 adapter and Detachable Mounting Bracket
- Specify pad dimensions
- Specify upholstery fabric and color

- Includes M1210 adapter and Detachable Mounting Bracket
- Specify pad dimensions
- Specify upholstery fabric and color

- Includes M1210 adapter and Detachable Mounting Bracket
- Specify pad dimensions
- Specify upholstery fabric and color

- Includes M1210 adapter and Detachable Mounting Bracket
- Specify pad dimensions
- Specify upholstery fabric and color

## HEAD SUPPORT | Packages



### HSK2080

*Flat Head Support Pad, Lift-Away Bracket*

- Specify pad dimensions
- Specify upholstery fabric and color
- Available with Pediatric or Adult bracket
- 1" HR foam standard



### HSK6832

*Headrest Extension Pad w/ Adjustable Head Support bracket, 12"*

- Specify pad dimensions
- Specify upholstery fabric and color
- 1" HR foam is standard— upgrading to 1 1/2" HR foam is recommended to allow for mounting offset

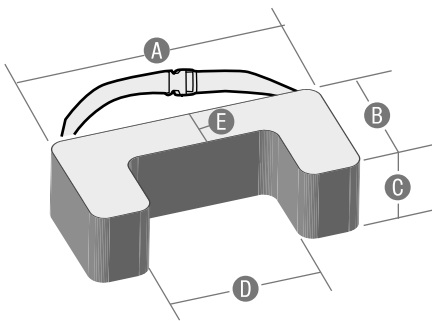


### HSK6833

*Curved Headrest Extension Pad w/ Adjustable Head Support bracket, 12"*

- Specify pad dimensions
- Specify upholstery fabric and color
- Designed to match Curved Back shape
- 1" HR foam is standard— upgrading to 1 1/2" HR foam is recommended to allow for mounting offset

## HEAD SUPPORT | Pads

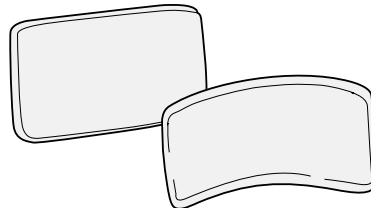


### U STYLE HEADREST

HRU19XX Custom, Soft

HRU29XX Custom, Reinforced

- Specify dimensions as referenced on drawing
- Specify upholstery fabric and color
- 1/2" Medium Sunmate is standard



### HEADREST EXTENSION PAD

HRE12XX Flat, up to 18Wx10H

HRE13XX Flat, up to 20W x15H

HRE17XX Curved, 18Wx10H

HRE18XX Curved, up to 20W x15H

HRE19XX Flat or Curved over 20Wx15H

- Requires additional adapter to interface with adjustable hardware
- Specify upholstery fabric and color
- 1" HR foam standard



### LATERAL/POSTERIOR HEADREST PADS

HRP6831 Set of three pads

HRP6839 Set of three pads, custom

- Specify pad size  
standard: 4 x 4, 5 x 5, 6 x 6, 6 1/2 x 7  
Specify dimensions if ordering custom
- Specify upholstery fabric and color
- Requires additional adapter to interface with adjustable hardware
- Hinge assembly not included
- 1/2" Medium Sunmate is standard

## HEAD SUPPORT | Modifications

MOD6100 Add Occipital Roll to Headrest

MOD6150 Add Ear Relief to Headrest Pads

MOD6135 1/2" Pudgee in Headrest

MOD6155 T-Foam in Headrest

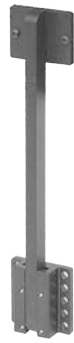
# HEAD SUPPORT | Hardware



## HDW7880

Lift Away Head Support Bracket, Pediatric

- 9½" height



## HDW7883

Lift Away Head Support Bracket, Adult

- 12" height

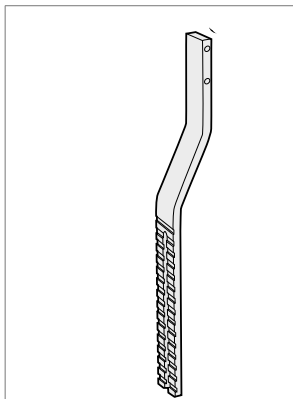


## HDW6830

Adjustable Posterior Head Support Bracket

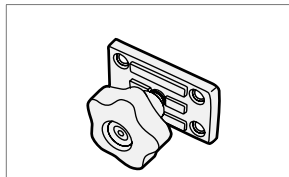
- 12" height

# HEAD SUPPORT | Hardware components



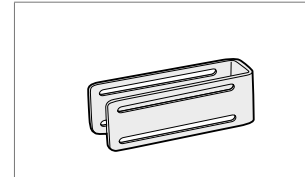
### HEADREST UPRIGHT

Standard	PRT6836
Pediatric	PRT6835
Hinged	PRT6834



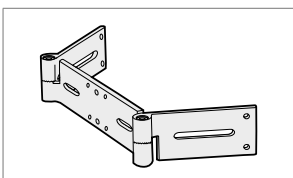
### HR MOUNTING BLOCK

Standard	PRT6810
Large	PRT6815



### HEADREST U BRACKET

Standard	PRT6837
Long	PRT6839
Short	PRT6840



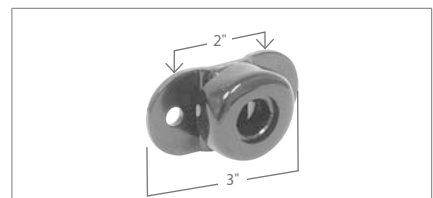
### 3-PAD HEADREST, PAD MOUNT ONLY

Standard	PRT6833
Wide	PRT6838M
Pediatric	PRT6833P



### SPACE SAVER ANGLE ADJUSTABLE BRACKET, 1"

PRT5810



### ROTATIONAL INTERFACE BRKT

M1210

- Center-to-center holes is 2"



## CLASSIC STYLE

◆ BREATHABLE

The Classic style is designed with a large padded surface for the thoracic area for maximized support.

Vinyl face custom option available.

## CONTOUR STYLE

◆ BREATHABLE

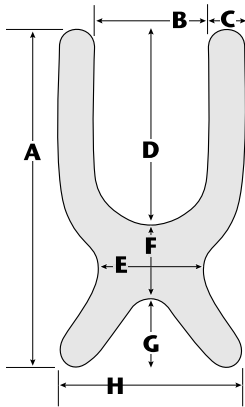
Contour style features a narrowed sternum section especially suited for G-tube users and female clients, or to simply cover a smaller surface area.

**Vinyl face custom option available.**

## CENTER-OPEN W/ BUCKLE

\* NOT BREATHABLE

Adjustable center-closure makes transfers quick and easy. Available in Structured only, and is not breathable.

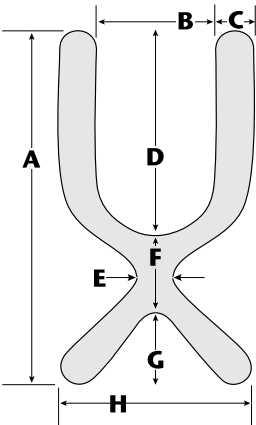


### Classic Style

NOTE: Dimensions are approximate and may vary due to binding finish. All measurements are listed in inches.

	DYNAMIC	STRUCTURED
EI	ATS8107	—
XS	ATS8100	ATS8300
S	ATS8101	ATS8301
M	ATS8102	ATS8302
L	ATS8103	ATS8303
XL	ATS8104	ATS8304

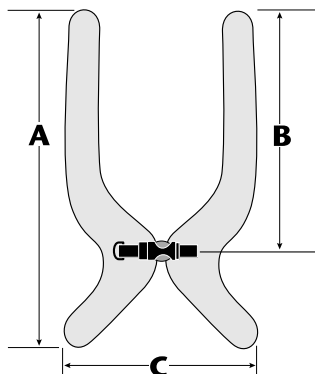
	A	B	C	D	E	F	G	H
EI	9.75	3	2	5.25	3	3	1	6.5
XS	12.5	3.5	2	7.5	3.5	3	2	7.5
S	15	4.5	2	9	4	4	2	8.5
M	19	5.5	2	11	5	5	3	9.5
L	22.5	6.5	2	13	6	6	3.5	10.5
XL	25.5	6.5	2.5	14	7	7	4.5	11.5



### Contour Style

	DYNAMIC	STRUCTURED
EI	ATS9107	—
XS	ATS9100	ATS9300
S	ATS9101	ATS9301
M	ATS9102	ATS9302
L	ATS9103	ATS9303
XL	ATS9104	ATS9304

	A	B	C	D	E	F	G	H
EI	9.75	3	1.75	5.25	1	3.5	1.5	6.5
XS	12.5	3.5	2	7.5	1	3.5	1.5	7.5
S	15	4.5	2	9	1	4	2	8.5
M	18.5	5.5	2	11	1	5	2.5	9.5
L	22.5	6.5	2	13	1.5	6	3.5	10.5
XL	25.5	6.5	2.5	14	1.5	7	4.5	11.5



### Center-Opening with Buckle

	STRUCTURED	A	B	C
EI	ATS9407	9.75	7	5
XS	ATS9400	11	8	5.75
S	ATS9401	12.25	9	6.5
M	ATS9402	14.25	11	9.75
L	ATS9403	15.5	11.5	9.75
XL	ATS9404	17.5	12.75	10

QUANTITY PACKS for ComforFit products are available. Please consult the Price List for part numbers and pricing

## ZIPPER OPEN

◆ BREATHABLE

Center zipper makes transfers quick and easy. Ideal for end-users with limited dexterity.

## ADJUSTABLE STRETCH

◆ BREATHABLE

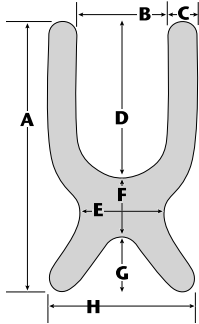
Lengthen or shorten the webbing straps that run down the front of the support to allow for more or less control as needed.

Straps are covered in a lycra-type material to keep them clean and to prevent fingers or objects from becoming snagged.

## Y STYLE

\* NOT BREATHABLE

Ideal for independent shoulder retraction and to assist in positioning where trunk rotation is an issue. Y-style supports allow for aggressive positioning while maintaining comfort and eliminates potential interference with feeding tubes.

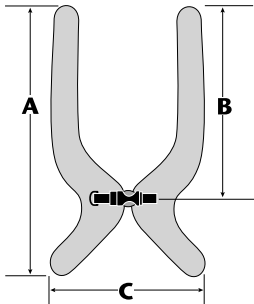


NOTE: Dimensions are approximate and may vary due to binding finish. All measurements are listed in inches.

### Zipper Open ComforFit

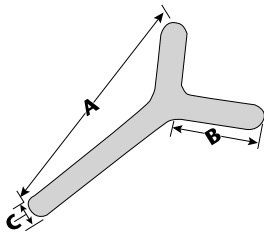
	DYNAMIC	STRUCTURED	A	B	C	D	E	F	G	H
S	ATS8701	NOT AVAILABLE	15	4.5	2	9	4	4	2	8.5
M	ATS8702		19	5.5	2	11	5	5	3	9.5
L	ATS8703		22.5	6.5	2	13	6	6	3.5	10.5
XL	ATS8704		25.5	6.5	2.5	14	7	7	4.5	11.5

### Adjustable Stretch ComforFit



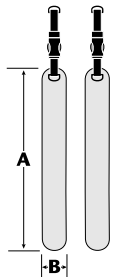
	DYNAMIC	STRUCTURED	A	B	C
EI	ATS8807	NOT AVAILABLE	9.75	7	5
XS	ATS8800		11	8	5.75
S	ATS8801		12.25	9	6.5
M	ATS8802		14.25	11	9.75
L	ATS8803		15.5	11.5	9.75
XL	ATS8804		17.5	12.75	10

### Y-style ComforFit



	DYNAMIC	STRUCTURED	A	B	C
EI	ATS9167	ATS9367	15	7	1.75
S	ATS9161	ATS9361	19	8	2
M	ATS9162	ATS9362	22	9	2.25
L	ATS9163	ATS9363	25	11	2.5
C	ATS9169	ATS9369	—	—	—

### Back Pack Style



	DYNAMIC	STRUCTURED	A	B
12"	ATS9601	ATS9701	12	2
18"	ATS9602	ATS9703	18	2

**Standard 2-point w/ Side Release Buckle (plastic)**



1" SIDE RELEASE

	NON-PADDED	5.5" PAD	7.5" PAD
Single Pull	APB6110	APB6111	APB6112
Dual Pull	—	APB6121	APB6122



1.5" SIDE RELEASE

	NON-PADDED	7.5" PAD	9.5" PAD
Single Pull	APB6210	APB6212	APB6213
Dual Pull	—	APB6222	APB6223



2" SIDE RELEASE

	NON-PADDED	9.5" PAD	11.5" PAD
Single Pull	APB6310	APB6313	APB6314

**Standard 2-point w/ Push Button Buckle (metal)**



LI'L KIDDOS  
1" PUSH BUTTON

	NON-PADDED	4.5" PAD	5.5" PAD	7.5" PAD
Single Pull	APB5110	APB5115	APB5116	APB5117
Dual Pull	—	APB5125	APB5126	APB5127



1.5" PUSH BUTTON

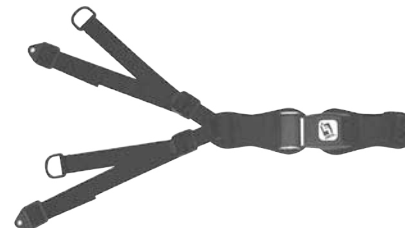
	NON-PADDED	7.5" PAD	9.5" PAD
Single Pull	APB7210	APB7212	APB7213
Dual Pull	—	APB7222	APB7223



2" PUSH BUTTON

	NON-PADDED	9.5" PAD	11.5" PAD
Single Pull	APB7310	APB7313	APB7314

**Medial 4-point w/ Push Button Buckle (metal)**



LI'L KIDDOS  
1" PUSH BUTTON

1.5" PUSH BUTTON

	3.5" PAD	4.5" PAD	5.5" PAD	6.5" PAD
	APB5145	APB5146	—	—
	—	APB7242	APB7243	APB7244

**V-Contour Pelvic Positioning Belt**



SMALL PAD

MEDIUM PAD

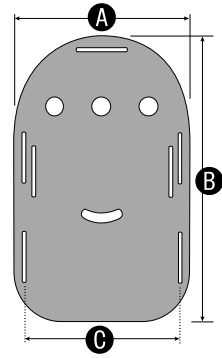
LARGE PAD

	1.0" Side Release Buckle	1.5" Side Release Buckle	2.0" Side Release Buckle	1.0" Push Button Buckle	1.5" Push Button Buckle	2.0" Push Button Buckle
SMALL PAD	APB3616	—	—	APB3716	—	—
MEDIUM PAD	—	APB3627	—	—	APB3727	—
LARGE PAD	—	—	APB3638	—	—	APB3738

### Foot & Ankle Positioning



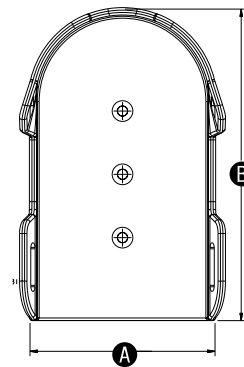
	Foot & Ankle	Ankle Only	A	B	C	Ankle Circumference
<b>XS</b>	—	TST6501	4.5	6	4	5 to 7.5
<b>S</b>	TST6510	TST6511	5	7.75	4.5	6.5 to 9
<b>M</b>	TST6520	TST6521	5	7.75	4.5	8 to 10.5
<b>L</b>	TST6540	TST6541	6	9.75	5.5	9.5 to 12
<b>XL</b>	TST6560	TST6561	6.5	10.75	6	11 to 13.5



### Shoe Holder w/ Tendon Relief



		A	B
<b>S</b>	TST6061	3.5"	5.25"
<b>M</b>	TST6161	4"	6.75"
<b>L</b>	TST6261	4.75"	8"
<b>XL</b>	TST6361	5"	10"



### Shoe Holder

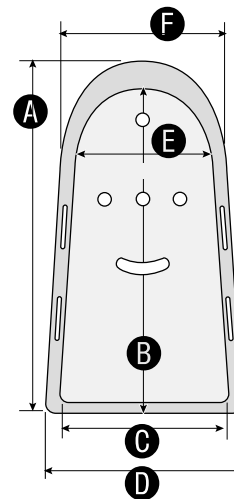


	Padded straps	Non-padded straps
<b>S</b>	TST6001	TST6000
<b>M</b>	TST6101	TST6100
<b>L</b>	TST6201	TST6200
<b>XL</b>	TST6301	TST6300

SHOE HOLDER LINERS TST6400

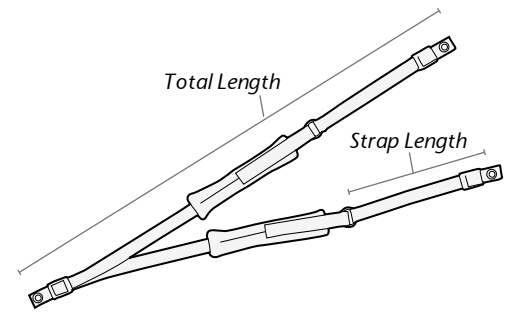
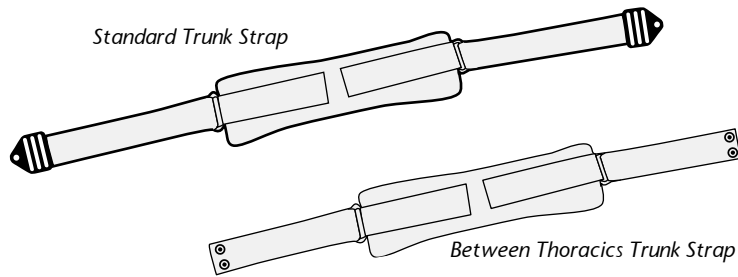
- Specify size when ordering

	A	B	C	D	E	F
<b>S</b>	5.75	5.25	3.25	4.375	3.25	4.25
<b>M</b>	7.75	7.25	3.625	4.75	3.25	4.25
<b>L</b>	9.75	9.25	4.5	5.75	4	5.25
<b>XL</b>	12.25	11.75	6	7	5.25	6.25



➤ Replacement Toe Straps for Foot & Ankle positioners and Shoe Holders may be found in the AES Price List.

# Trunk & Pelvic Support Straps



## PADDED ANTERIOR TRUNK STRAPS

			PAD SIZE	
	STANDARD	BETWEEN THORACICS	H	W
XS	ATS4050	ATS4050T	3"	8"
S	ATS4000	ATS4000T	3"	10"
M	ATS4100	ATS4100T	3"	12"
L	ATS4200	ATS4200T	4"	14"
XL	ATS4300	ATS4300T	4"	16"
CUSTOM	ATS4900	ATS4900T	<i>Specify</i>	

- Constructed of Vinyl-faced ComforFit material

## PELVIC STRAPS— NEOPRENE WITH CAM BUCKLE

		PAD W	PAD L	STRAP length	TOTAL Length
S	PS040XX	1"	5 ½"	10 ½"	29"
M	PS041XX	1 ¾"	8 ½"	10 ½"	31"
L	PS042XX	2"	11 ½"	12"	36"

# Soft Support Components & Hardware



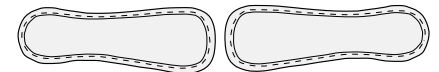
## BELT ANCHORS

	WEBBING SIZE
PRT6925	1"
PRT6926	1 ½"
PRT6927	2"



## HDW6900 STRAP POSITIONER

- 1" webbing only

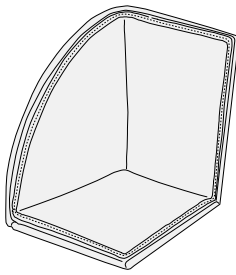


## BELT PADDING

	Webbing	W	L
APB1801	1"	1 ½"	5 ½"
APB1802	1"	1 ½"	7 ½"
APB1803	1 ½"	2"	7 ½"
APB1804	1 ½"	2 ¼"	9 ½"
APB1805	2"	2 ¾"	9 ½"
APB1806	2"	2 ¾"	11 ½"
APB1809	<i>Custom: Specify dimensions</i>		

MOD7001 Synthetic Sheepskin addition to Pads

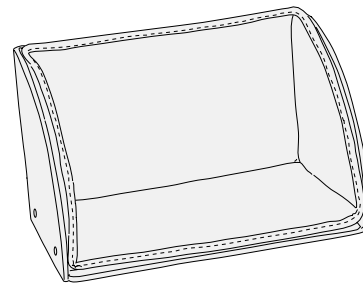
# Lower Extremity Support



## SINGLE LEG/FOOT BOX

			Footbox Dimensions		
LEFT	RIGHT	W/C WIDTH	W	H	D
TST7014L	TST7014R	14"	5¼"	9"	9"
TST7016L	TST7016R	16"	6¼"	10"	10"
TST7018L	TST7018R	18"	7¼"	10"	10"
TST7000		Custom; specify dimensions			

- OUTSIDE dimensions are referenced in table above
- Sold singly; order one each L (left) and R (right) for complete pair
- 1/2" HR foam is standard
- Hardware is NOT included
- Black vinyl upholstery is standard
- Specify T-nut placement



## FULL WIDTH LEG/FOOT BOX

		Footbox Dimensions			
	W/C WIDTH	W	H	D	
TST7114	14"	11"	9"	9"	
TST7116	16"	13"	10"	10"	
TST7118	18"	15"	10"	10"	
TST7100		Custom; specify dimensions			

- OUTSIDE dimensions are referenced in table above
- 1/2" HR foam is standard
- Hardware is NOT included
- Black vinyl upholstery is standard
- Specify T-nut placement



## STABILIZER PACKAGES

- KPG10XX Stabilizer & Pull-away bracket Package, Standard
- KPG19XX Stabilizer & Pull-away bracket Package, Custom

- Provides pelvic stabilization through bilateral distal support of the femoral movement
- Design based on the clinical experience of Nancy Schuster, MS, OTR, ATP

## STABILIZER BRACKET

HDW4840 Stabilizer Pull-away bracket

## STABILIZER PADS

- KPB1014 Stabilizer Pad, 14" W
- KPB1016 Stabilizer Pad, 16" W
- KPB1018 Stabilizer Pad, 18" W
- KPB19XX Stabilizer Pad, Custom

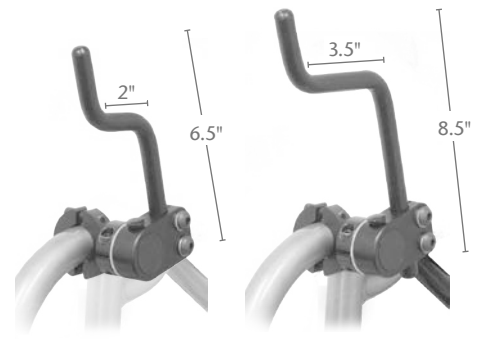


## KNEE ADDUCTOR PACKAGES

	LEFT	RIGHT
Short Arm	KAK21XXL	KAK21XXR
Long Arm	KAK31XXL	KAK31XXR
Custom	KAK39XXL	KAK39XXR

- Swingaway bracket
- Pad base is PlastiTech<sup>†</sup> material
- Pad foam is 1" Medium Sunmate
- Four-Way Stretch upholstery
- 3" Round Pad is Standard

<sup>†</sup>PlastiTech is a waterproof plastic base material that accepts wood screws and T-Nuts.



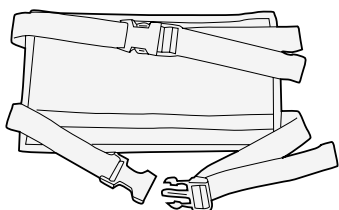
## KNEE ADDUCTOR BRACKET

	LEFT	RIGHT
Short Arm	HDW4853	HDW4854
Long Arm	HDW4851	HDW4852

## KNEE ADDUCTOR PADS

- KAD10XX Knee Adductor Pad, 3" Round
- KAD11XX Knee Adductor Pad, 4" Round
- KAD19XX Knee Adductor Pad, Custom

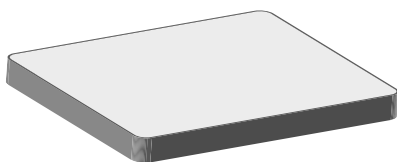
# Lower Extremity Support



## PADDED CALF PANEL

		W	H	W/C
S	PLS3010	14"	8"	16"
M	PLS3020	16"	8"	18"
L	PLS3030	18"	8"	20"
CUSTOM	PLS3090	Specify		

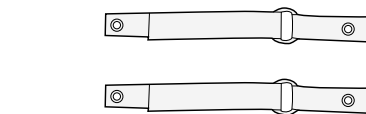
- Calf Panel pads are constructed of vinyl-covered ComforFit material



## LEG EXTENSION

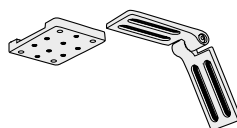
	W	L
LRE10XX	14"	6
LRE11XX	16"	8
LRE12XX	18"	10
LRE19XX	Custom	

- Specify upholstery fabric
- 1 1/2" HR foam standard
- T-nuts and hardware are NOT included



## TOE/ANKLE STRAPS WITH GROMMET ATTACHMENT

	PADDED	NON-PADDED	ADJUSTMENT RANGE
S	TST4000	TST1000	6 to 9"
M	TST4200	TST1500	8 to 12"
L	TST4500	TST2000	13 to 15"

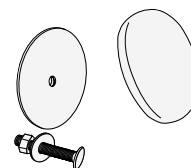


## LEG EXTENSION MOUNTING BRACKET

HDW6828 Adjustable, Removable

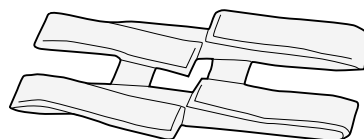
### COMPONENTS:

- A PRT6828
- B HDW6826L



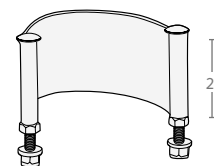
## LEG-REST KNEE PADS

TST0500 High Profile, 3" Diameter



## LEG STRAP

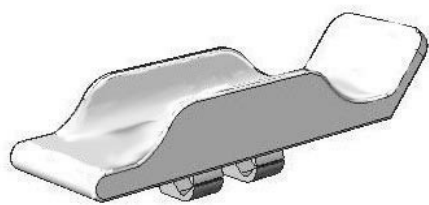
PLS1000 Single, Specify W/C Size  
 PLS2000 H-Style, Specify Size



## HEEL LOOPS

TST3000 Standard  
 TST5000 With Ankle Straps

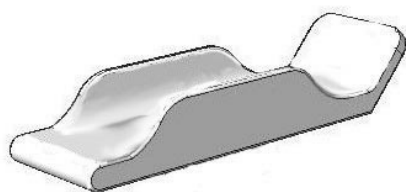
# Upper Extremity Support | Arm & Wrist Support



## ARM TROUGH PACKAGES

- 32440 Contoured Arm Trough with Attaching Hdw package
- 32450 Custom Contoured Arm Trough with Attaching Hdw package

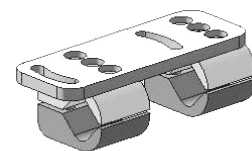
- ABS base material
- Includes T-nuts
- Specify Arm trough size when ordering; refer to the table at right for standard sizes



## CONTOURED ARM TROUGH

		W	L
S	CAT5510	4"	13 ¼"
M	CAT5520	4 ½"	16 ¼"
L	CAT5530	5"	19 ¼"
CUSTOM	CAT5590	<i>Specify</i>	

- Outside dimensions are referenced
- Black neoprene is standard upholstery fabric
- Hardware not included
- ABS base material
- Two self-gripping (soft hook & loop) straps included



## ARM TROUGH HARDWARE

- 32430 Arm Trough Attaching Hardware



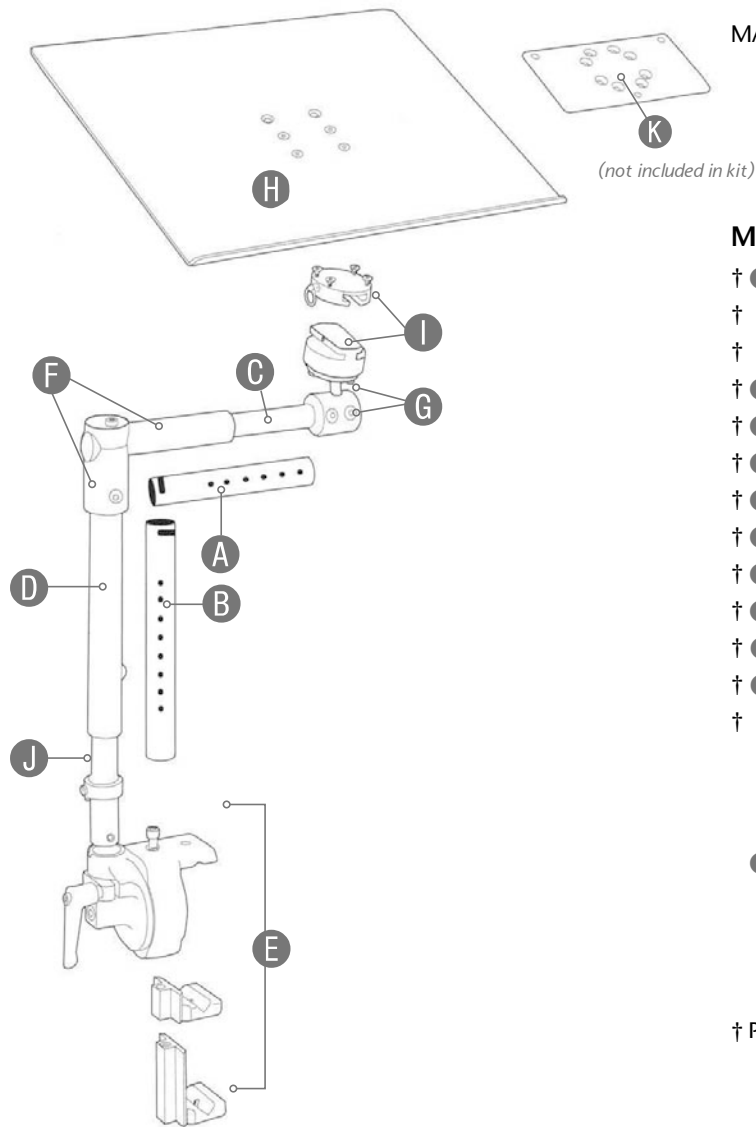
## PADDED WRIST STRAPS

		W	L	WRIST CIRCUMFERENCE
S	ATS7510	2 ½"	10"	5 ½ to 7"
M	ATS7520	3"	12"	7 ½ to 9"
L	ATS7530	3"	14"	9 ½ to 11"
CUSTOM	ATS7590	<i>Specify</i>		<i>Specify</i>

- Pads are constructed of vinyl-covered ComforFit material



# Upper Extremity Support | Multi-Adjustable Arm



## MULTI-ADJUSTABLE ARM KIT

MAS2000

Standard Multi-adjustable Arm Kit

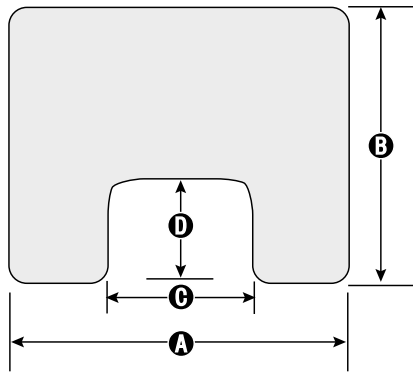
- Mounting opening adjusts from 3/4" round tube to 3 3/4" rectangular tube
- Includes set screws to lock in place
- Vertical extension range is 5" up to 20 1/2"
- Horizontal extension range is 4" up to 19 1/2"

## MULTI-ADJUSTABLE ARM COMPONENTS

- |     |         |  |
|-----|---------|--|
| † A | MAS2105 | 5" Long Rod Extension  |
| †   | MAS2111 | 7.5" Long Rod Extension  |
| †   | MAS2115 | 12" Long Rod Extension   |
| † B | MAS2120 | 16.5" Long Rod Extension   |
| † C | MAS2205 | Short Adjusting Tube   |
| † D | MAS2210 | Long Adjusting Tube  |
| † E | MAS2300 | Base Mount Assembly  |
| † F | MAS2305 | 90 Degree Tube Connector   |
| † G | MAS2310 | Support Platform Mount Assembly                                      |
| † H | MAS2329 | Support Platform (12W x 9 t/8"H), Standard                           |
| † I | MAS2340 | Quick Release Adapter Mount Block                                    |
| † J | MAS2342 | Detent Ring  |
| †   | MAS2341 | Ball Mount Tension Ring  |
|     | MAS2320 | Custom Support Platform<br><i>Specify dimensions</i>                 |
|     | MAS2124 | 21" Long Rod Extension   |
| Ⓚ   | MAS2321 | Mounting Plate for Dynavox, 5.0" x 2.5"<br><i>Mounts in arm tube</i> |
|     | MAS3000 | Levo Application Kit<br><i>Requires drilling arm tube</i>            |

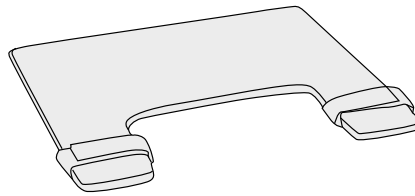
† Part is included in Kit (MAS2000)

# Upper Extremity Support | Platforms (Trays)



## TRAY SPECIFICATIONS

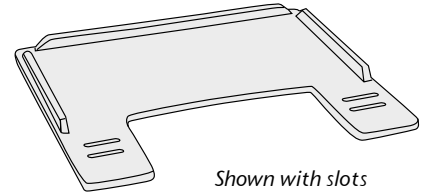
	A	B	C	D
XS	21	18	10	7
S	21	20	12	7
M	24	22	14	9
L	26	24	16	10
XL	28	26	18	10



## WOOD PLATFORMS W/STRAPS

S	WCT0500
M	WCT0600
L	WCT0700
XL	WCT0800

- Hardware NOT included
- Hook & Loop straps included
- Does NOT include pencil edge

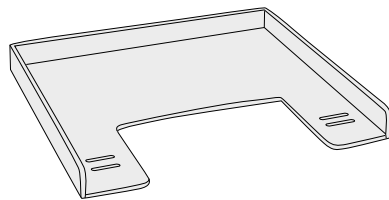


Shown with slots

## WOOD PLATFORMS W/ PENCIL EDGE

	NO SLOTS	SLOTS
XS	WCT1005	WCT1005S
S	WCT1000	WCT1000S
M	WCT2000	WCT2000S
L	WCT3000	WCT3000S
XL	WCT4000	WCT4000S

- Hardware NOT included

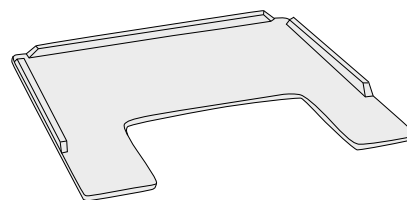


Shown with slots

## WOOD PLATFORMS WITH 2" EDGE

	NO SLOTS	SLOTS
XS	WCT1025	WCT1025S
S	WCT1020	WCT1020S
M	WCT2020	WCT2020S
L	WCT3020	WCT3020S
XL	WCT4020	WCT4020S

- Hardware NOT included

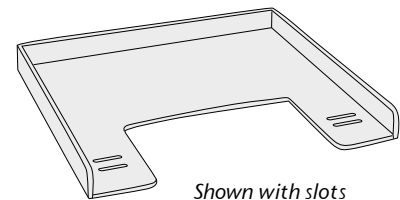


Shown without slots

## POLYCARBONATE PLATFORMS W/ PENCIL EDGE

	NO SLOTS	SLOTS
XS	WCT5005	WCT5005S
S	WCT5000	WCT5000S
M	WCT6000	WCT6000S
L	WCT7000	WCT7000S
XL	WCT8000	WCT8000S

- Hardware NOT included



Shown with slots

## POLYCARBONATE PLATFORMS WITH 2" EDGE

	NO SLOTS	SLOTS
XS	WCT5025	WCT5025S
S	WCT5020	WCT5020S
M	WCT6020	WCT6020S
L	WCT7020	WCT7020S
XL	WCT8020	WCT8020S

- Hardware NOT included

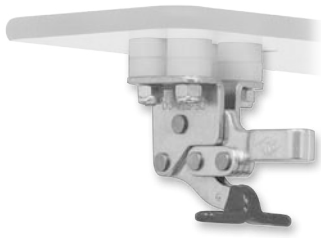
## CUSTOM PLATFORM

WCT9000 Custom Upper Extremity Support Platform (no slots)

WCT9000S Custom Upper Extremity Support Platform w/ Slots

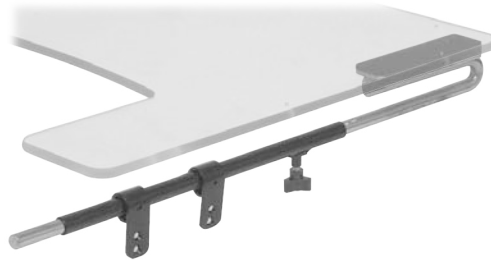
- Specify dimensions & material
- Hardware NOT included

# Upper Extremity Support | Platform Mounting Hardware



**THW1000 Toggle Hardware**

- Slots required on tray for mounting
- Power Joystick option



**THW2000 Slide Tube**

- Mounts to armrest — no slots required
- Tray attaches to tube arm with heavy-duty hook & loop strips



**Z Slide Hardware**

- THW3600** 1 $\frac{1}{8}$ " Armpad Height
- THW3650** 1 $\frac{1}{2}$ " Armpad Height



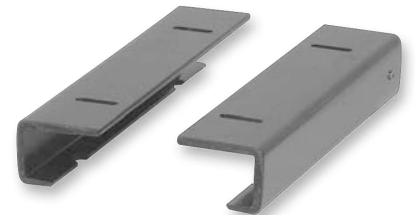
**THW3000 Wood Runners**

- Runners include THW6000
- No slots required
- Profile 1 $\frac{1}{4}$ "



**THW3100 S Style Runners**

- Runners include THW6000
- Constructed of black ABS
- No slots required
- Profile 1 $\frac{1}{4}$ "
- Runners include THW6000



**THW3210 Slotted Channel Runner**

- Runners include THW6000
- Constructed of black ABS
- No slots required
- Profile 1 $\frac{1}{4}$ "
- Runners include THW6000

**THW3000T Wood Runners**

- Runners include THW6000
- No slots required
- Profile 1 $\frac{1}{2}$ "



**THW3500 Adjustable Lever**

- No slots required
- Short adjustment rails are optional upgrade



**THW3700 Top Drop Hardware**

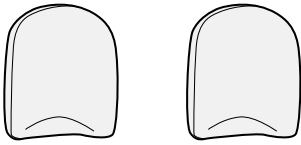
- No slots required
- Profile is adjustable to accommodate varying arm pad thicknesses



**THW4500 Angle-Cam**

- Slots required on tray for mounting
- Power Joystick option

# Upper Extremity Support | Platform Accessories



## TAC10XX Protractor Wings

- Specify lateral or posterior mount
- Specify height and width
- Specify upholstery material, standard is black vinyl
- Hardware is not included



## TAC11XX Removable Cover, Full

- Pencil Edge is omitted on full covers

## TAC12XX Padding at Cutout Edge only

- Pencil Edge is included

## TAC13XX Custom



## TAC14XX Padded Cover, Anterior Half

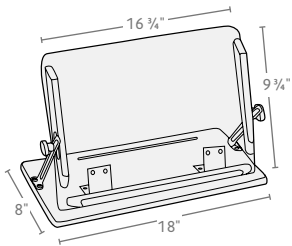
- Pencil Edge is NOT included

## TAC15XX Padded Cover, Posterior Half

- Pencil Edge is included

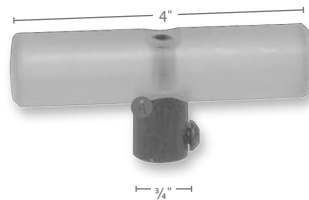
## TAC5600 Elbow/Forearm Pad

## TAC5619 Elbow/Forearm Pad, Custom



## TAC2000 Polycarbonate Easel

- Angle adjustable
- Removable



## T-HANDLES

### JTH1000 Short

- Handle height is 1"

### JTH2000 Tall

- Handle height is 1 1/2"



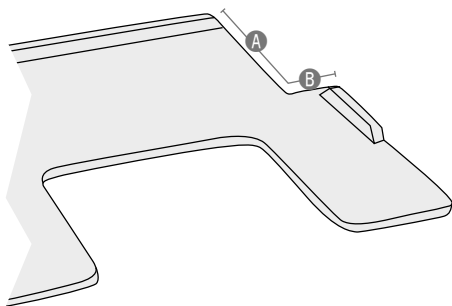
## TRAY STRAPS

### THW5000 Hook & Loop D-Ring Release

### THW6000 Side Release Buckle

- Plastic 1" side release buckle
- Strap is 44" in total length

# Upper Extremity Support | Platform Modifications



## TAC4100L Joystick Cutout, Left

## TAC4100R Joystick Cutout, Right

## TAC4150 Joystick Midline Cutout

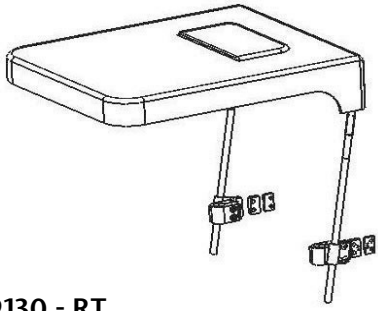
## TAC4175 Joystick Cutout, Custom

## TAC4000 Window Insert

### STANDARD CUTOUT DIMENSIONS

	A	B
XS	9"	4"
S	10"	4"
M	12"	4"
L	14"	4"
XL	16"	4"

# Miscellaneous



## 99130 - RT

*Wheelchair Canopy - 12" - 15"*

- Includes observation window
- Specify wheelchair width when ordering—canopy designed to fit chair widths from 12" to 15" wide
- Specify upholstery fabric and color



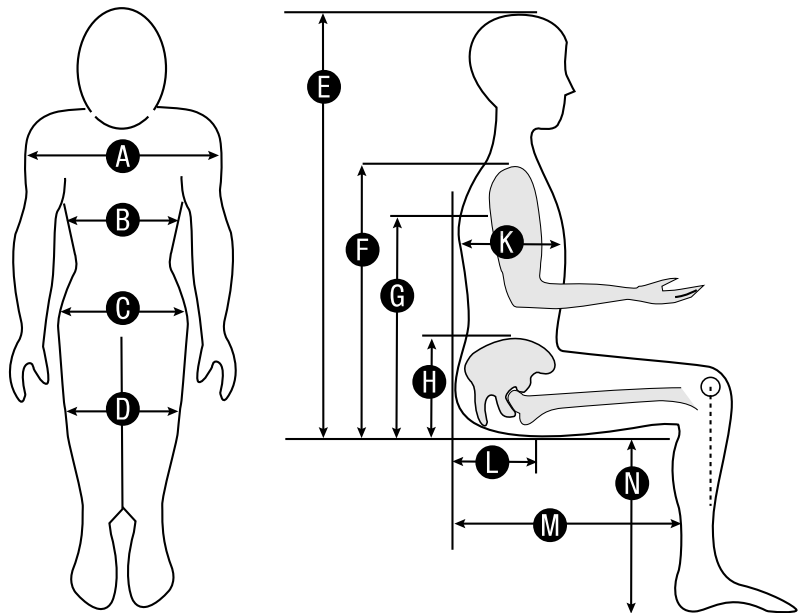
## 99131 - RT

*Wheelchair Canopy - 16" - 18"*

- Includes observation window
- Specify wheelchair width when ordering—canopy designed to fit chair widths from 16" to 18" wide
- Specify upholstery fabric and color

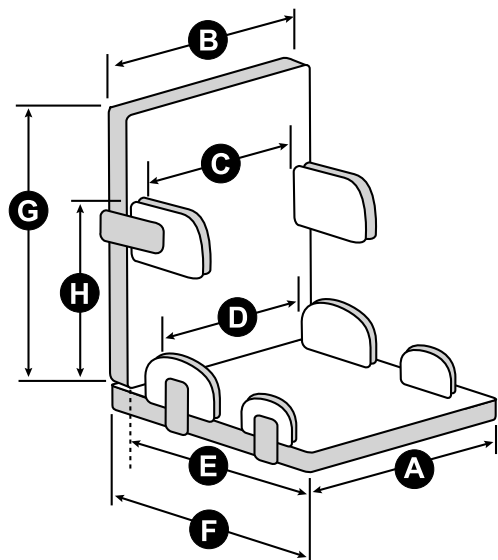
DATE \_\_\_\_\_ ACCT# \_\_\_\_\_ PO# \_\_\_\_\_  
 USER NAME \_\_\_\_\_ DEALER \_\_\_\_\_ CONTACT \_\_\_\_\_  
 PHONE \_\_\_\_\_ FAX \_\_\_\_\_ EMAIL \_\_\_\_\_

## CLIENT MEASUREMENTS



- \_\_\_\_\_ A. SHOULDER WIDTH
- \_\_\_\_\_ B. CHEST WIDTH
- \_\_\_\_\_ C. HIP WIDTH
- \_\_\_\_\_ D. WIDTH at KNEE
- \_\_\_\_\_ E. SEAT to TOP of HEAD
- \_\_\_\_\_ F. SEAT to TOP of SHOULDER
- \_\_\_\_\_ G. SEAT to AXILLA
- \_\_\_\_\_ H. SEAT to PSIS
- \_\_\_\_\_ K. CHEST DEPTH
- \_\_\_\_\_ L. BACK to ANTERIOR of ITs
- \_\_\_\_\_ M. SEAT DEPTH
- \_\_\_\_\_ N. SEAT to FOOT PLATE

## INSERT Dimensions & Specifications



- \_\_\_\_\_ A. Seat Width
- \_\_\_\_\_ B. Back Width
- \_\_\_\_\_ C. Distance between Thoracic Laterals
- \_\_\_\_\_ D. Distance between Pelvic Laterals
- \_\_\_\_\_ E. Usable Seat Depth
- \_\_\_\_\_ F. Total Seat Depth
- \_\_\_\_\_ G. Back Height
- \_\_\_\_\_ H. Seat to top of Lateral Thoracic Pad

### INSERT INFORMATION

- Full Width Mount     Back     Seat
- Between Rail Mount     Back     Seat

### MONOGRAM:

- MOD5900 Name in BLOCK letters
- MOD5901 Name in Script letters

Name \_\_\_\_\_

Thread Color \_\_\_\_\_

- MOD5902 Stock Design

### UPHOLSTERY FABRIC:

Client Contact Surface \_\_\_\_\_

Non-contact Surface:

- Black Vinyl (Standard)
- Other \_\_\_\_\_  
(Specify base material and color)

## MOBILITY BASE Dimensions & Specifications (Required)

MAKE: \_\_\_\_\_

MODEL: \_\_\_\_\_

TYPE:  Manual     Power

COLOR: \_\_\_\_\_

TUBING SIZE:    3/4"    7/8"    1"

- Seat:
- Back:

FRAME: W \_\_\_\_\_ x D \_\_\_\_\_

PUSH HANDLE HEIGHT: \_\_\_\_\_

- W/C ARMREST TYPE:  Flip-up
- Height Adjustable  
(mounting off seat)

### INSTALLATION OPTIONS:

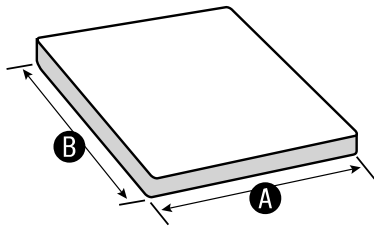
- Install System to Frame
- Install Transport Option Hardware MOD6800  
Applies to Manual chairs only; requires frame to be drop-shipped to AES



FRESNO  
 P: (866) 237-0688  
 F: (877) 237-4214  
 2842 Business Park Ave  
 Fresno, CA 93727

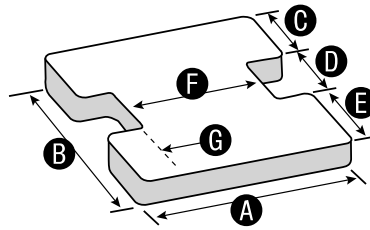
[www.sunrisemedical.com](http://www.sunrisemedical.com)

# SEAT DIMENSION Specifications



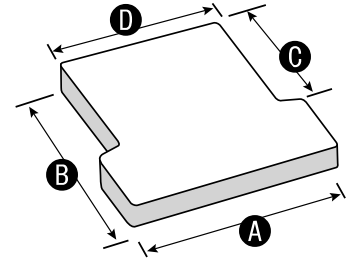
SOLID SEAT INSERT

A		B	
---	--	---	--



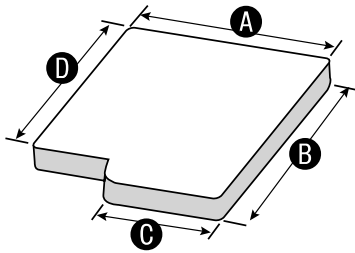
I STYLE SEAT INSERT

A		E	
B		F	
C		G	
D			



T STYLE SEAT INSERT

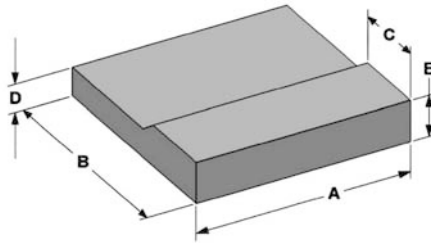
A		C	
B		D	



OFFSET SEAT INSERT

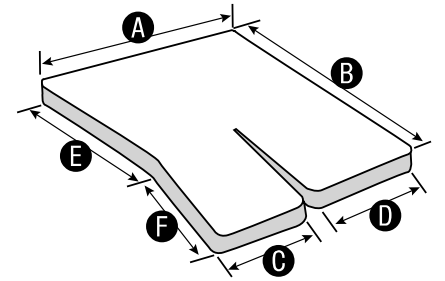
- LONG LEFT SIDE
- LONG RIGHT SIDE

A		C	
B		D	



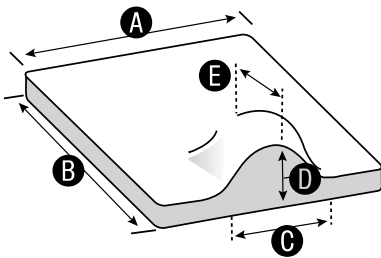
ANTI-THRUST SEAT INSERT

A		D	
B		E	
C			



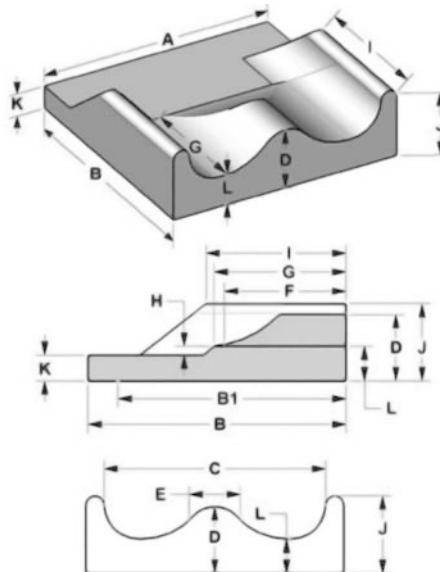
ADJUSTABLE SPLIT SEAT INSERT

A		D	
B		E	
C		F	



BUILT-IN MEDIAL THIGH SUPPORT SEAT INSERT

A		D	
B		E	
C			

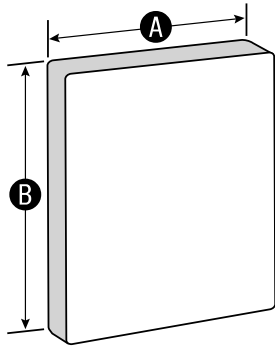


CONTOUR SEAT INSERT

A		G	
B		H	
C		I	
D		J	
E		K	
F		L	

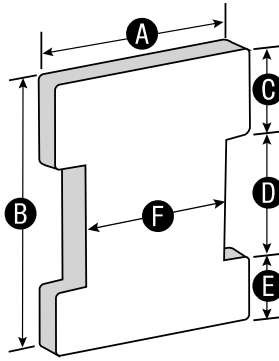


# BACK DIMENSION Specifications



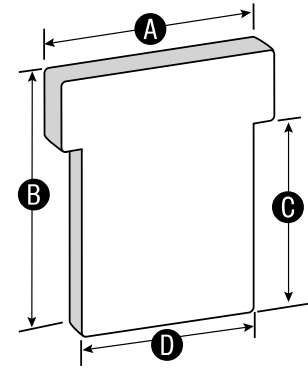
SOLID BACK INSERT

A		B	
---	--	---	--



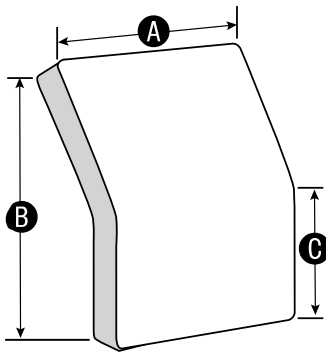
I STYLE BACK INSERT

A		D	
B		E	
C		F	



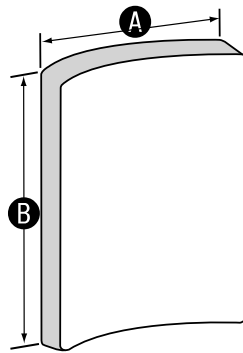
T STYLE BACK INSERT

A		C	
B		D	



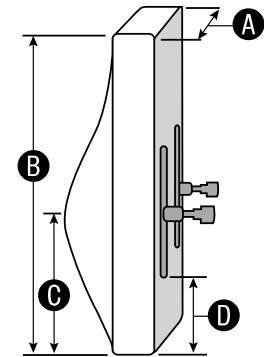
BI-ANGULAR BACK INSERT

A		C	
B			



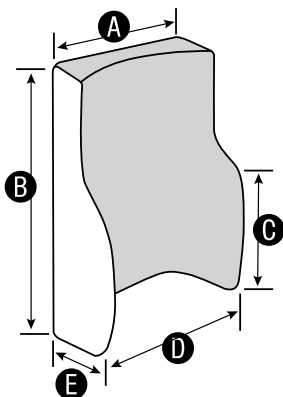
CURVED BACK INSERT

A		B	
---	--	---	--



ADJUSTABLE LUMBAR SUPPORT BACK INSERT

A		C	
B		D	



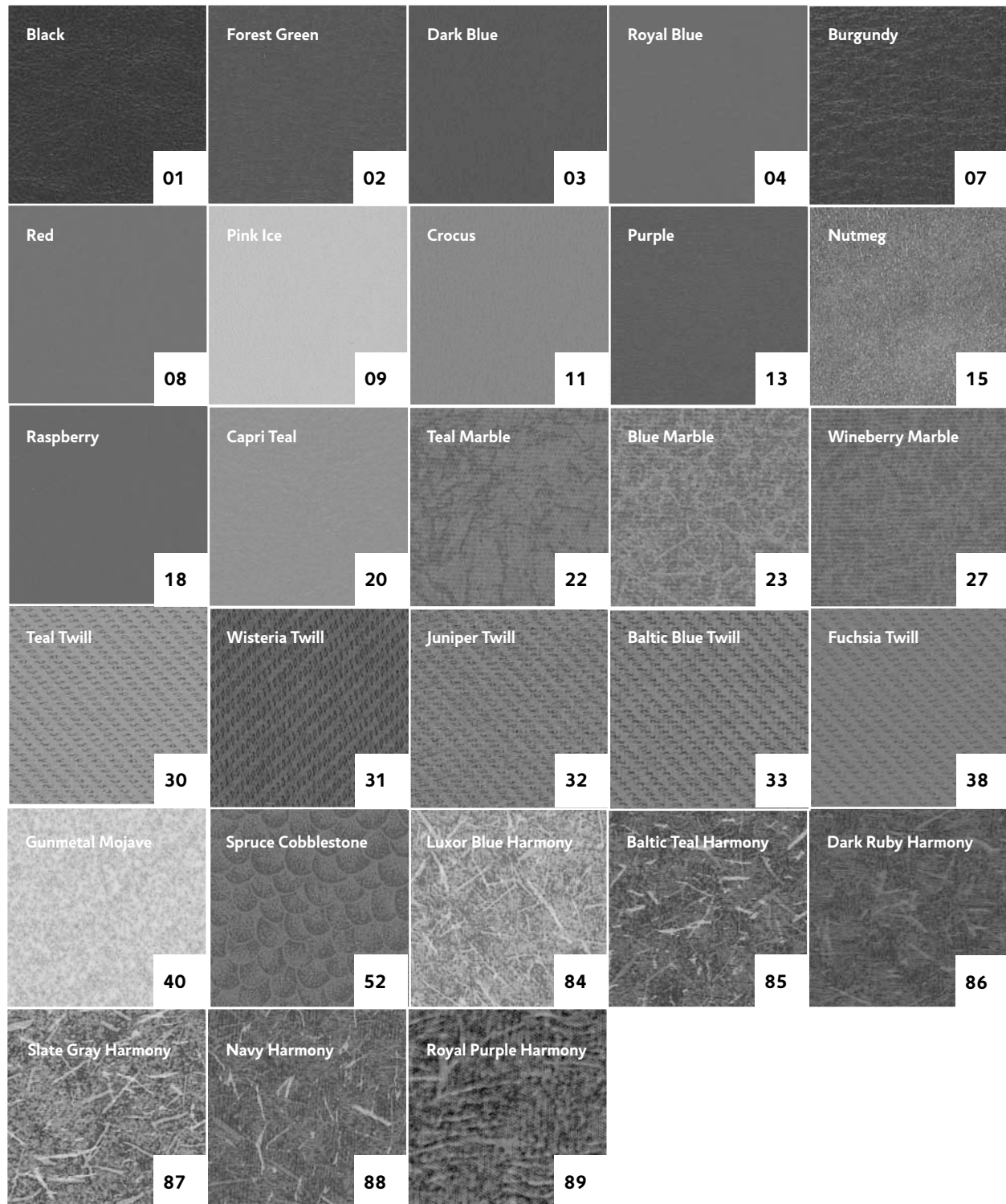
CONTOUR BACK INSERT

A		D	
B		E	
C			





# Vinyl



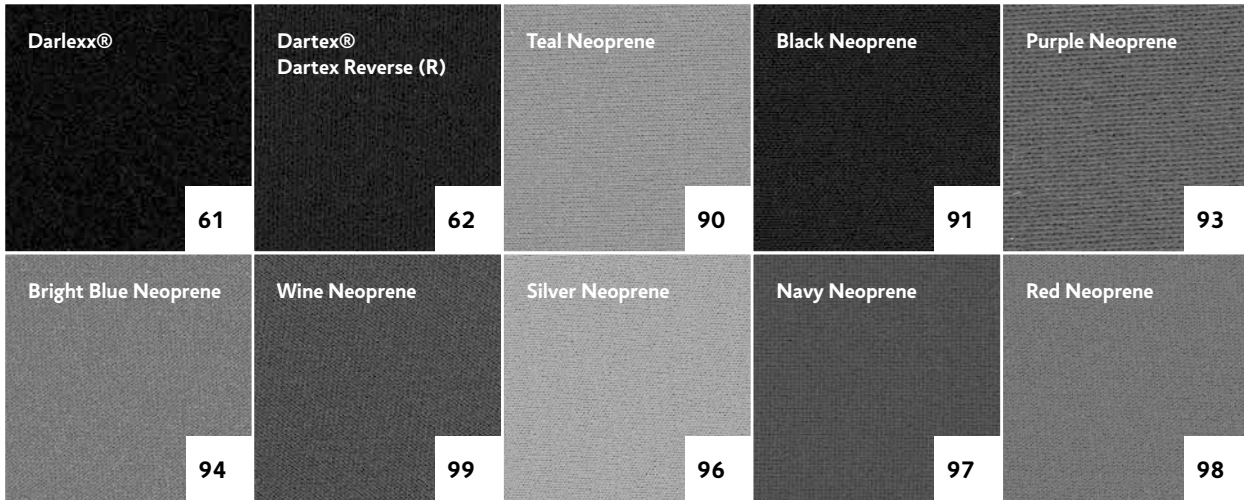
## VINYL

Offers water resistance on surface, easy cleaning and some anti-bacterial and anti-mildew properties.

Recommended for planar seats and backs.

For contoured seats and backs, anti-thrust seats and similar items refer to the Stretch Upholstery selections. Vinyl can be used on non-contact surfaces to add color to a client's seating system.

# Stretch



## DARTEX

Dartex is a polyurethane-transfer coated, four-way stretch fabric. It is anti-microbial, anti-fungal, waterproof and breathable.

Dartex two-sided, allowing you to choose between a cloth surface, or a smooth, stretchable vinyl-like face that is easy to wipe clean.

Recommended for contour seats, anti-thrust seats, and contour backs.

## DARLEXX

Waterproof, breathable, and boasts four-way stretch, anti-microbial, and anti-fungal properties.

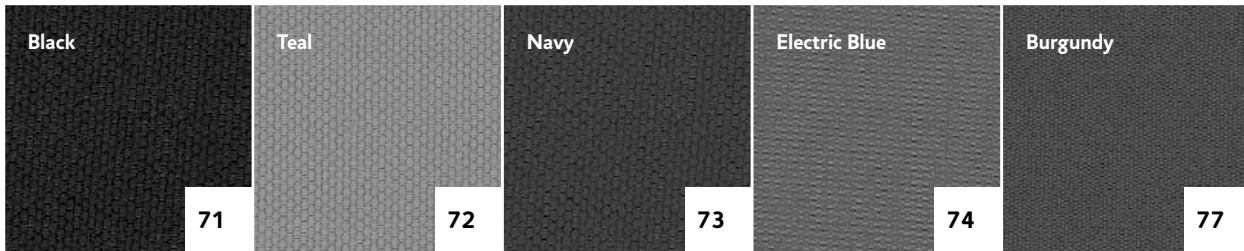
Recommended for contour seats, anti-thrust seats, contour backs, and contoured pads.

## NEOPRENE

This popular fabric choice is a thick, four-way stretch nylon material with a rubber (neoprene) backing. Neoprene is waterproof, but not breathable. Sometimes referred to as "wet-suit material".

Recommended for AES SculptureFit systems, contoured seats and contoured backs.

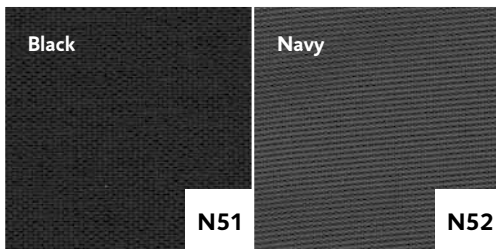
# Cordora



## CORDORA

Commonly referred to as "pack-material", Cordora is a heavy-duty, textured nylon fabric. Dries quickly if wetted.

# Nylon



## NYLON

A finer weave and smoother texture than Cordora, but with the same excellent durability.



## Meet Your CEU Requirements at Home or In-Person

Start by logging on to [www.sunrisemedicaleducation.com](http://www.sunrisemedicaleducation.com)

### Webinars from Sunrise Training & Education Programs (by Sunrise Medical)

help you keep your professional education and certifications up-to-date easily. We offer a variety of clinically-relevant topics as both live and on-demand courses. This means you can access CEU courses from the comfort of your home or office whenever your schedule allows.

#### Interactive Seminars

Seminars, conducted all around the country, provide clinical and technical information, product features and application and funding information regarding all aspects of seating and assessment, manual mobility, and power mobility. Please view our calendar for seminars in your area.

#### Online Webinars: Live and On-Demand Live:

Live Webinar schedules are available under the Live Webinars section of the menu. Live webinars are held online and give you the opportunity to be the first to be involved with the webinar. Live webinars also give you the chance to ask questions to our education specialists during the class.

#### To attend a live webinar, simply follow these steps:

- Review the schedule of upcoming webinars
- Pre-register for each webinar you wish to attend
- You will receive a confirmation email with instructions telling you how to connect to the webinar.
- At the scheduled date and time, connect to the webinar
- Connect to the slide show through a high-speed connection.
- Dial-in via telephone to the conference line so you can hear the audio portion.

After the webinar, complete your evaluation form and submit it to us and we will submit the paperwork to ensure that your CEUs are issued by the accrediting body.

#### On-Demand:

On-Demand webinars are live webinars that have been recorded for your convenience. If the live webinar time does not fit into your busy schedule, you are now able to earn your CEU credits when you want to. Listen to your peers' questions and get your certificate immediately!

#### To view an On-Demand Webinar, follow these steps:

- Create a free membership account
- Explore the available on-demand webinars and select the one you would like to 'attend.'
- Watch the recorded presentation
- After the presentation, go to the quiz section and complete the quiz.

When you have completed the quiz with a passing score, a certificate will automatically be issued which can then be turned in to the appropriate accrediting body for credit.



**AES FRESNO**

2842 Business Park Avenue  
Fresno, CA 93727  
Phone: (866) 237-0688  
Fax: (877) 237-4214



[www.sunrisemedical.com](http://www.sunrisemedical.com)