

# INSTRUCTION SHEET

## Armrest Receiver Attachment Mounting & Adjustment

(Please read and understand instructions before beginning installation)

**Parts Required:**

- (1) SPHA Receiver 1" OD
- (1) Rear Side Frame Top Tube
- (2) Clamp, Receiver 1" OD
- (2) SHCS 1/4 -28 x 1 1/4 ROHS
- (2) Washer, Flat Thin AN 1/4 ROHS
- (2) Nut Nylock Thin 1/4 -28 ROHS

**Armrest Receiver Attachment Mounting**

**Fig. 1**

- 1) Place (2) CLAMP, RECEIVERS over REAR SIDE FRAME TOP TUBE. Align with SPHA RECEIVER.

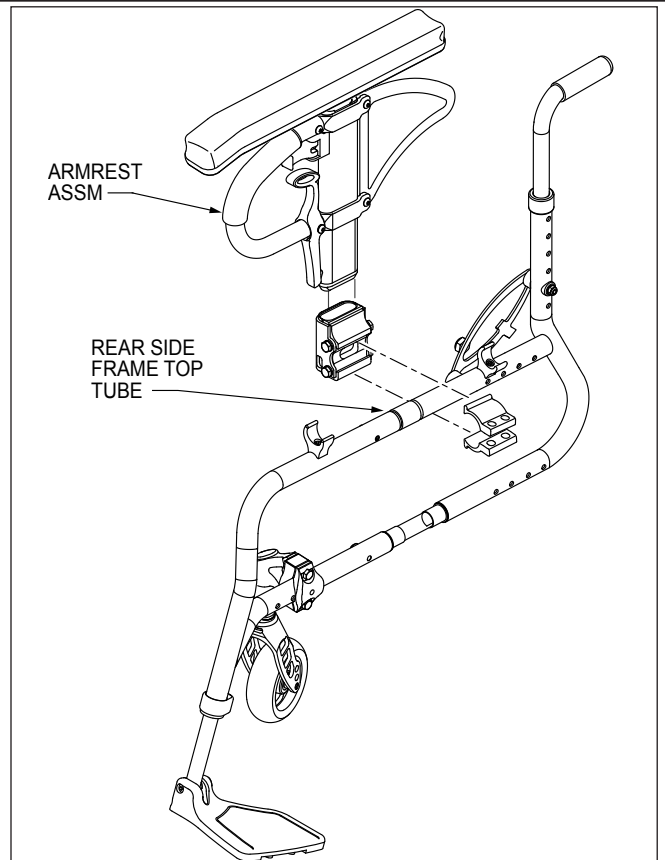
**Fig. 2**

- 2) Pinch both CLAMP, RECEIVERS together at SPHA RECEIVER side and insert into SPHA RECEIVER.

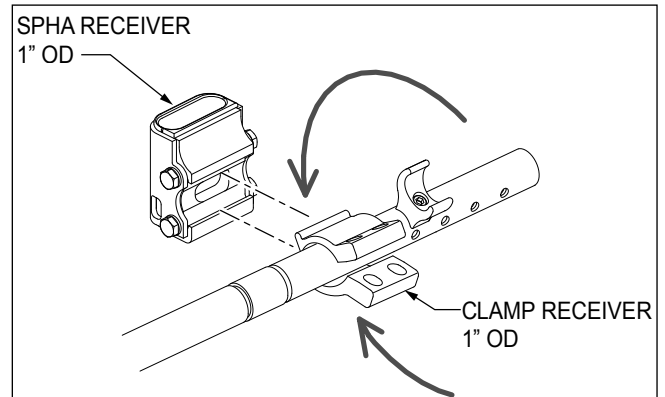
**Fig. 3**

- 3) Once inserted, pinch both CLAMP, RECEIVERS together on the far side of the SPHA RECEIVER.
- 4) Hold both CLAMP, RECEIVERS against REAR SIDE FRAME TOP TUBE and fasten with (2) SHCS 1/4 -28 x 1 1/4 ROHS, (2) WASHER FLAT THIN AN 1/4 ROHS, and (2) NUT NYLOCK THIN 1/4 -28 ROHS as shown.

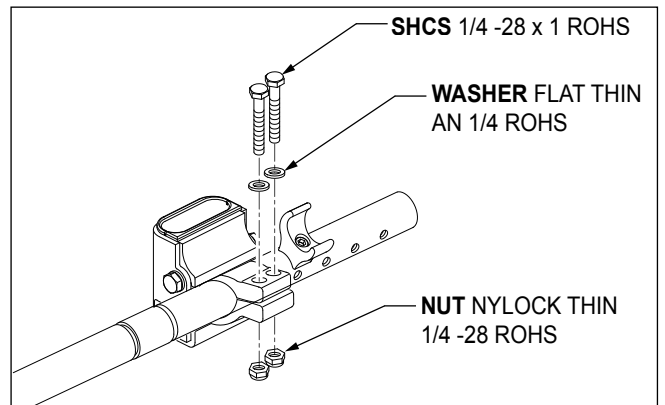
**Fig. 1**



**Fig. 2**



**Fig. 3**



# INSTRUCTION SHEET

## Armrest Receiver Attachment Mounting & Adjustment

(Please read and understand instructions before beginning installation)

### Adjustment:

**Fig. 1**

1) To adjust the fit of the Single Post Armrest in the receiver, loosen the 4 hex head bolts by using a 7/16" wrench.

**Fig. 2**

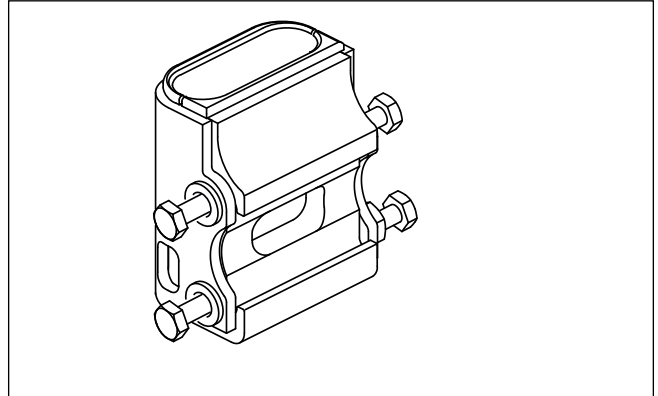
2) With the armrest assembly in the receiver, press firmly on the outside of the receiver.

3) Maintain pressure on the receiver and re-tighten two of the hex head bolts.

4) Remove the armrest assembly and re-tighten the remaining two hex head bolts.

5) The armrest will fit firmly in the receiver and lessen any noise that may result from vibration.

**Fig. 1**



**Fig. 2**

