



POSITIONING BELT MOUNT



Please read these instructions carefully before beginning the installation. Failure to understand and follow installation instructions may result in injury to installer and/or end user and may void the warranty.

If you have any questions call Sunrise Medical Technical support at 800.333.4000

Parts included:

- 2x Seat Belt Clamp Inner
- 2x Seat Belt Clamp Outer
- 2x Clamp Socket Head Screw
- 1x Positioning Belt (Optional)
- 2x Seat Belt attach Cap Screw and Washer

Tools needed for installation:

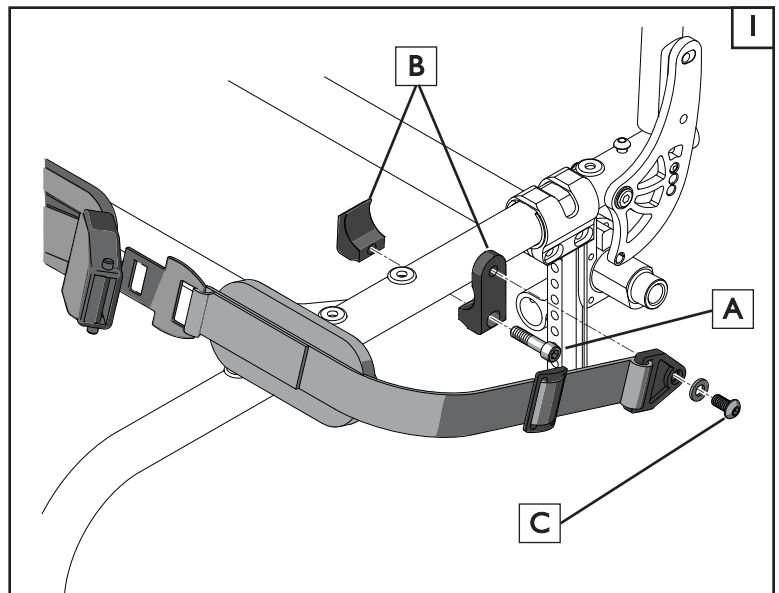
- 1x 4mm Hex Wrench
- 1x 5mm Hex Wrench

This instruction sheet is to be used by a dealer when a customer desires a positioning Belt mounted on their chair. Please review this instruction sheet before attaching the mount.

1. Attach the Positioning Belt clamps. 1

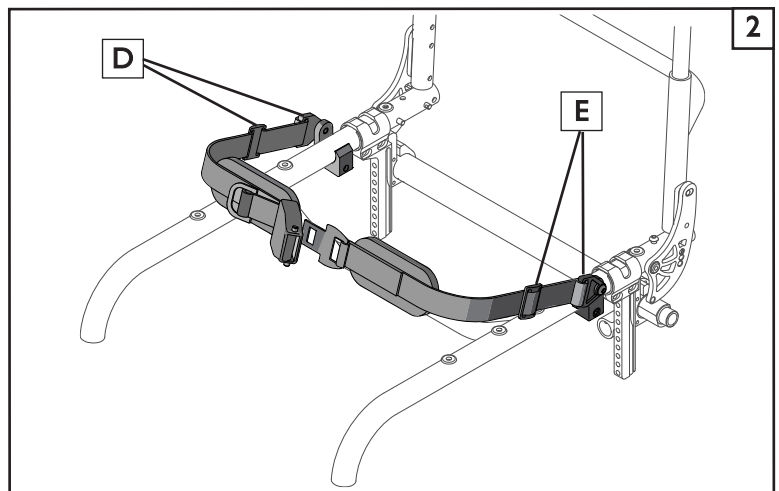
- a. For an easier installation, remove the Seat sling before attaching the Positioning Belt clamps.
- b. Locate the 5mm Hex wrench and socket Head Screw, (A) attach the Lap Belt clamps (B) as shown. Torque the screw to 120in/lbs. Repeat this process for the other side of your chair, making sure to measure the same distance from the rear of the Chair frame so that the clamps are even from side to side, when the installation is complete.
- c. Locate the smaller button head screw (C) to attach the positioning belt. Using the 4mm Hex wrench, attach the Belt to the clamps as shown.

NOTE: Do not over-tighten button head screw(C) as this can fracture the connecting point of your Positioning Belt.



2. Adjust the Positioning Belt for proper fit 2

- a. Refer to the owner's manual, and/or Positioning belt instructions for proper installation and adjustment of your chair's components.
- b. Re-install the Seat sling, and position the rider in the chair. Adjust the belt tensioning areas (D)(E) for a comfortable and proper fit.



Sunrise Medical • 2842 Business Park Ave. • Fresno, CA 93727 • USA
In Canada (800) 263-3390



Customer Service: 800.333.4000
www.SunriseMedical.com

©2012 Sunrise Medical (US) LLC
11.03 IS00119 Rev.A