



# Q7 AND ZIPPIE ZONE CASTER ADJUSTMENT INSTALLATION



Please read these instructions carefully before beginning the installation. Failure to understand and follow installation instructions may result in injury to installer and/or end user and may void the warranty.

If you have any questions call Sunrise Medical Technical support at 800-333-4000

## 1. Parts included in the Kit:

- 2x 123396 pivot pin
- 2x 123397 caster stem
- 2x 114479 E-clip
- 2x 230063 HHCS M6x1x70

## 2. Tools required

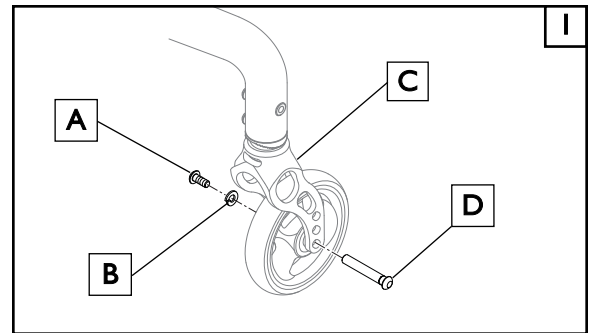
- 10mm Hex wrench or socket
- 2.5mm, 3mm, 4mm, 5mm, and 6mm Hex Keys
- 90° tool for Squaring Casters
- Torque wrench

## A. REMOVING THE OLD CASTER ADJUSTMENT PARTS

**NOTE:** It is suggested that you install one side at a time in order to limit the chance of losing parts that are removed and then installed with the new Kit.

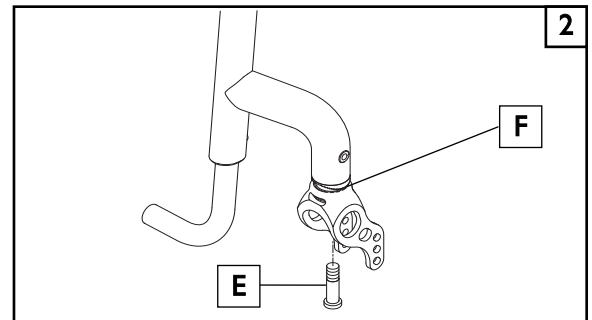
### 1. Remove the Caster Wheel 1

- Using a 3mm hex key, remove the button head screw (A) and lockwasher (B) from the caster fork. (C).
- Remove the caster axle (D) from the caster fork.
- Keep all assembly parts in a secure location, because these parts will be used in the final installation of the new Kit.



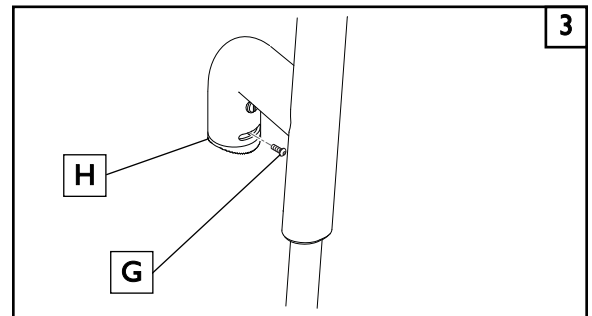
### 2. Remove Caster Fork and Lower Spline 2

- Using a 6mm hex key, remove the caster stem bolt (E), which can be found mounted on the inside of the caster fork as shown.
- The caster fork and lower spline (F) can now be removed. Save the fork assembly and lower spline for the new installation kit.



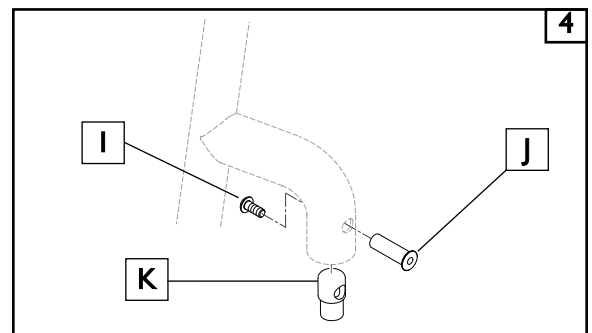
### 3. Remove the Upper spline 3

- Using a 2.5mm hex key, remove the button head screw (G) located on the inside of the caster arm.
- You can now remove the upper spline (H). Be sure to save the button head screw and upper spline for installation into the new kit.



### 4. Remove the Upper Pendulum and Pivot Pin. 4

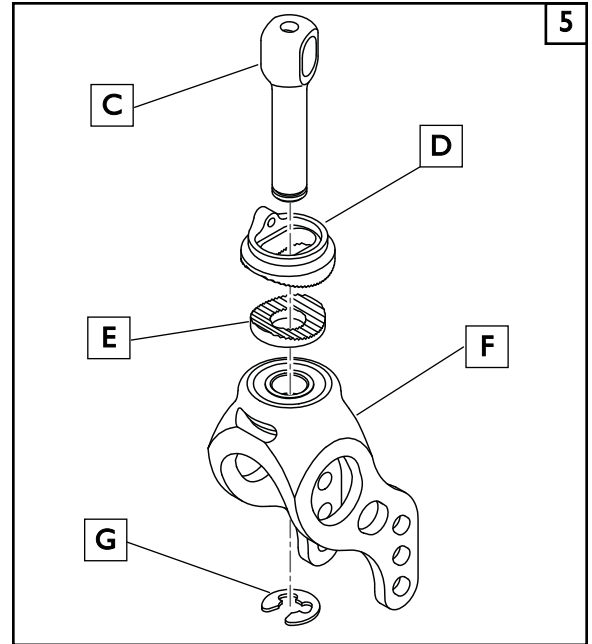
- Using both the 4mm and 5mm hex keys, remove the button head screw (I) from the Pivot pin.
- Remove the pivot pin (J) and the upper pendulum (K) will now be free to drop out of the caster arm.
- The old pivot pin, upper pendulum, and button head screw are not used in the reassembly and can be discarded.



## B. INSTALLING THE NEW CASTER ADJUSTMENT PARTS

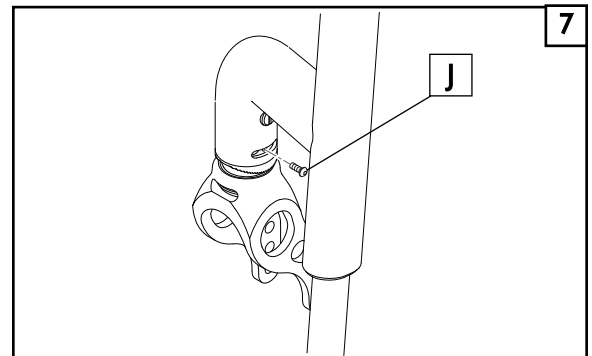
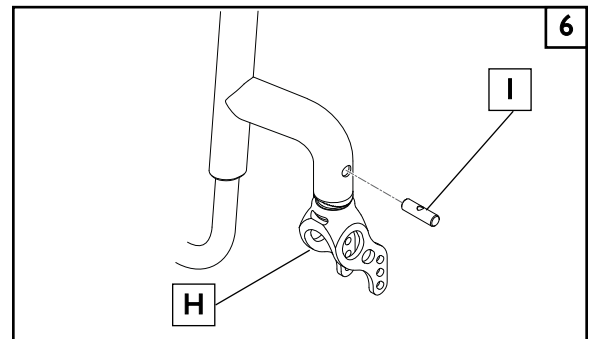
### 1. Pre-assembly 5

- a. Pre-assemble the new caster stem (C) with the existing upper spline(D), existing lower spline(E), and the existing caster fork (F). Use the new e-clip (G) to secure the assembly.



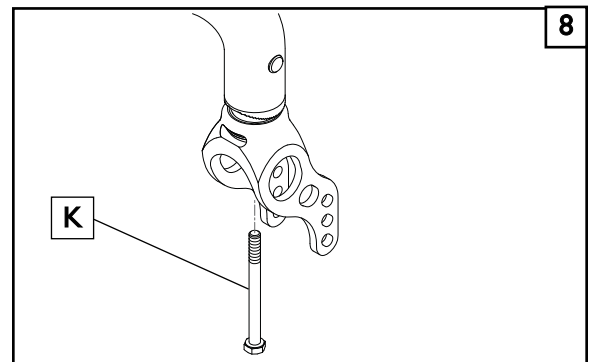
### 2. Assembly 6 7

- a. Insert the Pre-assembly (H) into the caster arm.
- b. Orient the slot in the caster stem to line up with the round hole in the caster arm. Insert the new pivot pin (I) through the round holes in the caster arm, and slot in the caster stem. It is recommended that the indicator slot on the pivot pin be located on the inward side of the chair.
- c. Using the 2.5mm hex key, re-install the button head screw (J) that was removed in step 3 of the disassembly



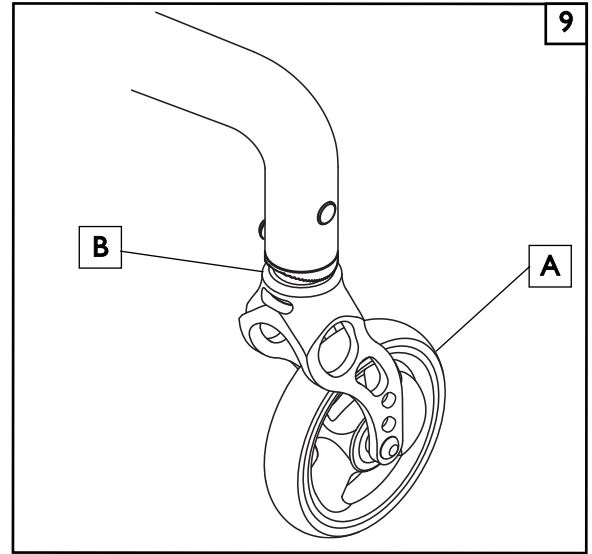
### 3. Caster Stem Bolt 8

- a. Install the new caster stem bolt (K) and hand-tighten. The indicator slot on the pivot pin is aligned with the threaded hole on the pivot pin and is used to tighten the assembly. It should be oriented inline with the caster link down tube to aid in assembly



**3. Re-install the Caster Wheel** 9

- a. Re-install the caster wheel (A) using existing hardware in reverse order of step 1 of the disassembly procedure.
- b. Using the 10mm wrench, tighten the caster stem bolt to 60 in-lb. Make sure the spline mechanism (B) is aligned properly so that it fully engages as the stem bolt is tightened.
- c. To complete the installation check that the rear vertical edge of the caster fork is perpendicular to the ground.

**C. CHECKOUT****1. Double-check torque on all hardware**

- a. Using a torque wrench check all screws and bolts for correct torque.

**⚠ WARNING**

The Caster Stem Components are manufactured only for the purposes described in this manual. Do not use these parts on any other unspecified wheelchair besides the Q7 and Zippie Zone.

**DEALER/TECHNICIAN WARNING****⚠ WARNING**

Attention dealers and qualified technicians, do not operate or service this wheelchair without first reading the owners manual. If you do not understand the instructions and warnings in the owners manual please contact the Quickie Technical Service Department before operating and/or servicing the Quickie wheelchair. Failure to do so may result in damage and/or injury.

Sunrise Medical • 2842 Business Park Ave. • Fresno, CA 93727 • USA  
In Canada (800) 263-3390