



QUICKIE Q7 & QUICKIE 7R TRANSIT INSTALLATION



Please read these instructions carefully before beginning the installation. Failure to understand and follow installation instructions may result in injury to installer and/or end user and may void the warranty. If you have any questions call Sunrise Medical Technical support at 800-333-4000

1. Parts included in this Transit Kit:

- | | |
|----------------------------------|---|
| a. 2x M5 50mm Button Head (rear) | e. 2x Rear Transit bracket (L/R) |
| b. 2x M5 55mm Button Head (rear) | f. 2x Front Transit Bracket
(4 pieces: 2x Loop and 2x Clamp) |
| c. 4x M5 flat washer (rear) | g. 2x Round Nut(Front) |
| d. 4x Black Nylock (rear) | h. 4x M5 Socket Head Screw (front) |

2. Tools needed:

- 3, 4, 5 mm hex key
- 8mm open end wrench
- 10mm open end wrench

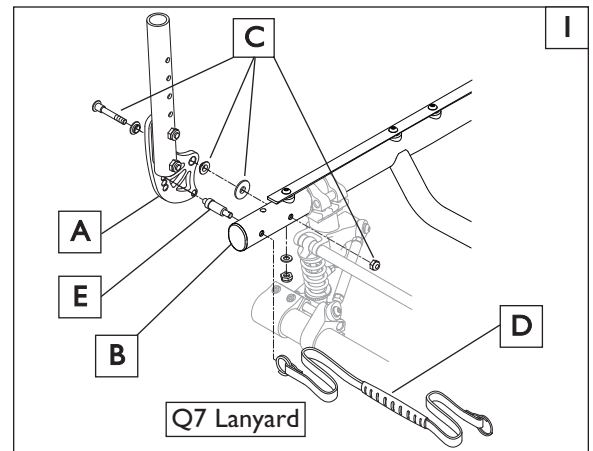
This transit installation and hardware are the same for the Q7 and Quickie 7R products. The Q7 is used to represent a typical install.

A. REAR TRANSIT BRACKET INSTALLATION

1. Remove Backrest and Backrest Bracket

1 2

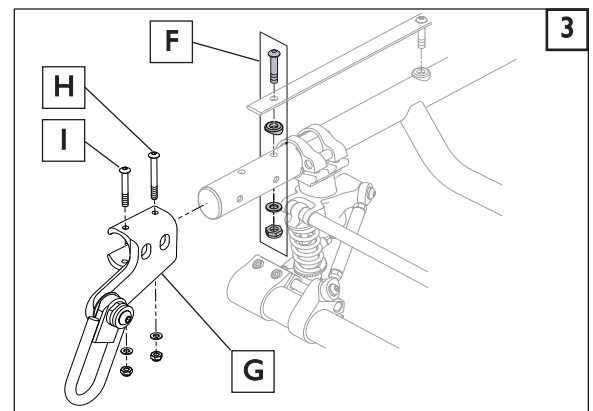
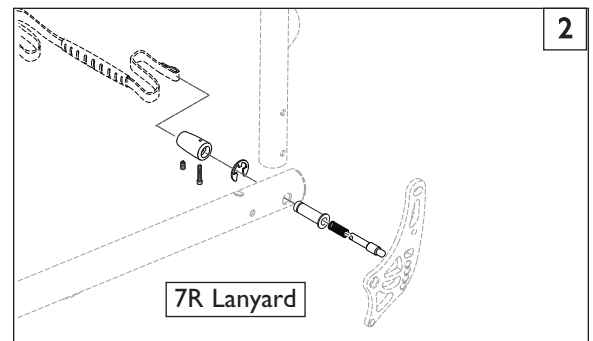
- Remove the wheels to gain access to the screws holding the backrest bracket (A) and seat post to the chair frame(B).
- Using a 10mm wrench, and a 5mm hex key, remove and save the backrest bracket screw washers, and nut (C) for reassembly. Remove the backrest and brackets. Repeat this process for the opposite side of the chair.
- Q7 - Detach the lanyard and rings (D) from the backrest bracket release pins. Remove and save the release pins (E) and lanyard for reinstallation with your new transit kit.
- 7R - Detach the lanyard (D) from the backrest bracket as shown. Remove and save the lanyard parts for reinstallation.



2. Install the Rear Transit Brackets

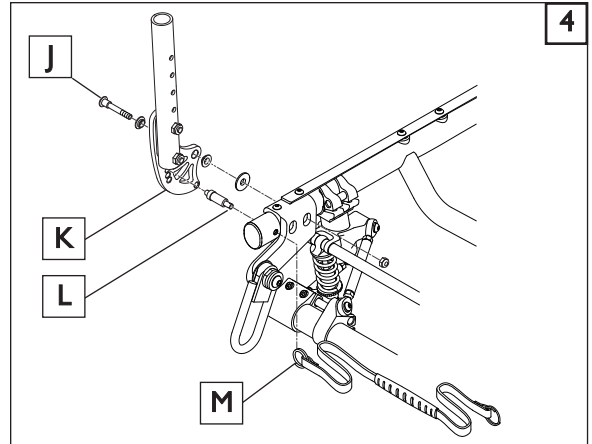
3

- Using an 8mm wrench and a 3mm hex key, remove and **discard** the rearmost seat rail screw, nut, plastic saddle, and washer (F). Repeat this process for the opposite side of the chair.
- Slide the rear transit bracket (G) onto the rear frame, and line up the thru holes. (left side transit bracket shown).
- Locate the longer 55mm button head screw(H) M5 washer, and nylock nut. Using the 8mm wrench and 3mm hex key, reassemble and snug (do not tighten) the hardware thru the seat rail and frame.
- Locate the 50mm button head screw (I) washer, and nut. Using a 8mm wrench and 3mm hex key, reassemble and snug the hardware thru the transit bracket and frame.
- Repeat the process in steps (c and d) for the other side of the chair.
- Tighten all 4 button head screws holding the transit brackets to the frame. Torque to 62 in-lb.



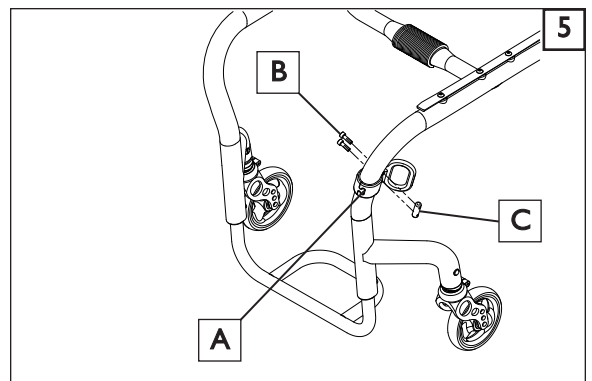
- 3. Install the Rear Transit Bracket** 4
- a. Reinstall the backrest pivot release pins (L), and attach the lanyard (M)
 - b. Reinstall the backrest and backrest brackets (K) reversing the order of the instructions shown in Step 1.
 - c. Insure that there is no interference between the new transit bracket and lanyard/ring and that both pivot pins (L) can be fully engaged before use.
 - d. Finish by tightening the backrest bracket cap screw (J) so that the top of the nut is even with the end of the bolt.
 - e. Repeat this process for the other side of the wheelchair.

NOTE - Do not over-tighten the backrest plate pivot bolt as it may hinder the backrest from folding properly.



B. FRONT TRANSIT BRACKET INSTALLATION

- 1. Assemble and Place the Front Transit Bracket** 5
- a. Assemble the front transit bracket by placing the loop half of the bracket on the frame location (A) and interlocking with the clamp half of the transit bracket.
 - b. Locate the M5 socket head screws (B) and round nut (C). Using a 5mm hex key, thread the screws through the the transit bracket and into the round nut with the bracket on the frame as shown in (Figure 4).
 - c. Finish by tightening the M5 socket head screws (B) to a maximum torque of 30 in-lb.
 - d. Repeat this process for the other side of the wheelchair.

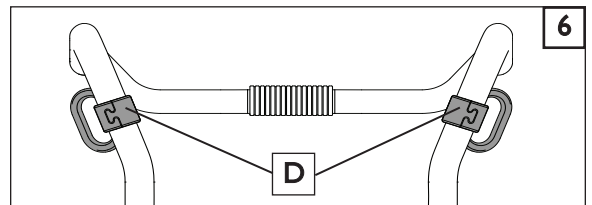


C. CHECKOUT 6

- 1. Double-check Orientation and Torque on all Hardware.**
- a. Check that front transit brackets (D) have been installed evenly from side to side as shown in (Figure 5).
 - b. Using a torque wrench and socket wrench with a 3mm and 4mm hex drive, check front and rear screws for correct torque.
 - c. Using the lanyard, and wiggling the back, check to make sure that the rear pivot pins engage and disengage easily, they should “click” into place when back is in the upright riding position.

NOTE– for Transit Hardware included with this Kit 7

- a. DO NOT use the hardware (F) unless you intend to install a WC-19 approved Lap Belt (E). The washers and button head screws (F) include a patch that is intended to be permanent once installed.

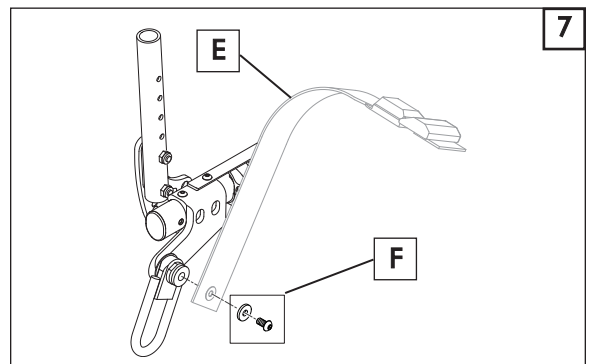


DEALER/TECHNICIAN WARNING



Attention dealers and qualified technicians, do not operate or service this wheelchair without first reading the owners manual. If you do not understand the instructions and warnings in the owners manual please contact the Quickie Technical Service Department before operating and/or servicing the Quickie wheelchair. Failure to do so may result in damage and/or injury.

IMPORTANT - For additional warnings and information, please see the Q7 and/or 7R owner’s manual and the Quickie WC-19 Transit supplement included in this Kit.



Sunrise Medical • 2842 Business Park Ave. • Fresno, CA 93727 • USA
In Canada (800) 263-3390



Customer Service: 800.333.4000
www.SunriseMedical.com

©2015 Sunrise Medical (US) LLC
11.15 IS00122 Rev.B