



# CANOPY INSTALLATION



Please read these instructions carefully before beginning the installation. Failure to understand and follow installation instructions may result in injury to installer and/or end user and may void the warranty. If you have any questions call Sunrise Medical Technical Support at 800-333-4000

## I. Parts in this Transit Kit:

- |                              |                          |
|------------------------------|--------------------------|
| 1. 1x Canopy (10-14",15-20") | 7. 2x Canopy Clamp       |
| 2. 2x Inner Clamp            | 8. 4x M6x1x25 SH Screw   |
| 3. 2x Outer Clamp            | 9. 4x M6x1 Nylock Nut    |
| 4. 2x Swivel Pin             | 10. 4x M6x1x16           |
| 5. 2x Canopy post            | 11. 4x M5 Washer         |
| 6. 2x Canopy Mount Block     | 12. 4x M5x.8x25 SH Screw |

## 2. Tools needed:

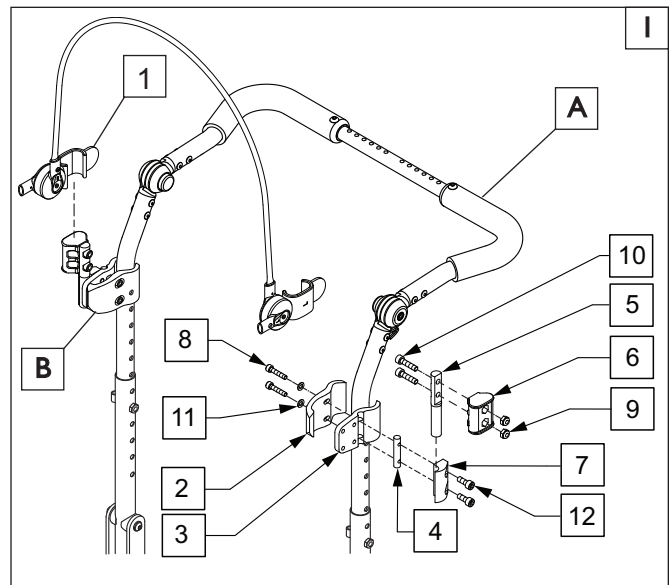
- 4mm hex key
- 5mm hex Key
- 10mm wrench



## A. CANOPY BRACKET INSTALLATION (10-14")

### I. Canopy Bracket Installation

- Using a 5mm hex key and 10mm wrench, assemble parts 5,6,9 and 10. This is the mount block that the canopy will attach to.
- Using a 4mm hex key, assemble parts 3,4,7,12 (outer clamp assembly).
- Using a 4mm hex key, assemble parts 2,8,11 (inner clamp assembly) and attach it to the backcane/stroller handle (A) and outer clamp assembly as shown.
- Keep the canopy clamp assembly (B) loose until the other side is assembled and attached.
- Check the height by attaching the canopy (1) and adjusting both of the clamp assemblies until they are the same height, and clear of obstructions.
- You can now secure the clamps with the 4mm hex key making sure to tighten both screws a few turns each, so that the clamp tightens evenly around the back cane.



## B. CANOPY BRACKET INSTALLATION (15-20")

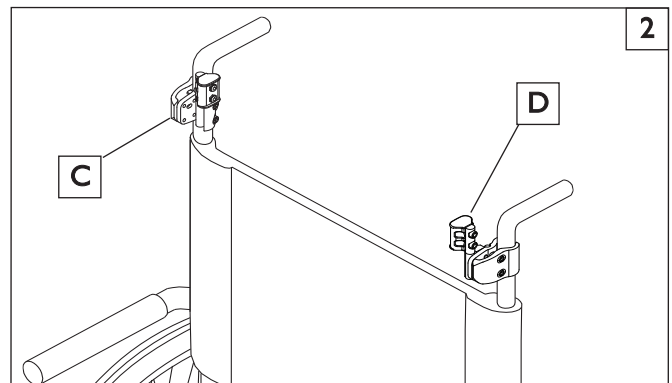
### 2. Install the Clamp and Hardware Assembly

- The assembly and installation procedures are the same as shown in Instruction A, except that the canopy clamps (C) are attached to the backcane so that the canopy pivot mounts are facing to the inside of the chair as opposed to the outside on the smaller 10-14" size in order to accommodate the wider canopy.

## C. CHECKOUT

### 3. Double-check Orientation and Tighten All Hardware

- Make sure the canopy does not interfere with the rider, and all hardware is tightened.
- Check that the clamps have been installed at the same height on the back canes from side to side.



Sunrise Medical • 2842 Business Park Ave. • Fresno, CA 93727 • USA  
In Canada (800) 263-3390



Customer Service: 800.333.4000  
www.SunriseMedical.com

©2013 Sunrise Medical (US) LLC  
5.13 IS00124 Rev.A