



# VOYAGE TRANSIT ASSEMBLY

## Advanced Seating System



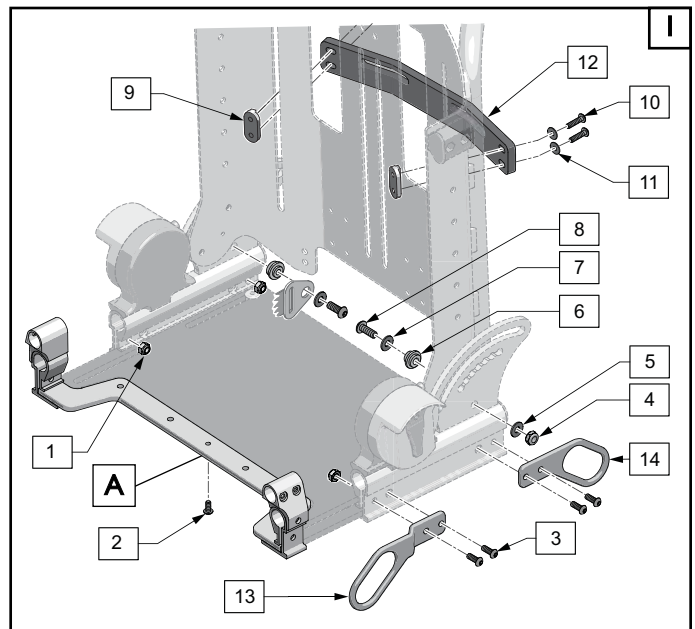
Please read these instructions carefully before beginning the assembly. Failure to understand and follow instructions may result in injury to technician and/or end user and may void the warranty. If you have any questions call Sunrise Medical Technical support at 800-333-4000.

<b>Parts in this Transit Kit:</b>		7. 5/16 Washer (Thick)	
1. 2x Nylock Nut M6X1.0	8. 2x BH Screw M8x1.25x35	14. 2x Rear Transit Hook	<b>2. Tools needed:</b> a. 4mm hex key b. 5mm hex Key c. 10mm open end wrench d. 13mm open end wrench e. Torque wrench
2. 1x BH Screw M6x1x12	9. 2x Slide Nut M6	15. 1x 5-point Transit Harness	
3. 8x BH Screw M6x1x20	10. 4x BH Screw M6x1x20	16. 1x Transit Teather Strap	
4. 2x Nylock Nut M8	11. 2x Washer M6x18	17. 1x Decal Transit	
5. 8mm High Strength Washer	12. 1x Shoulder Belt Adjustable Bar		
6. 2x Belt Bushing Mnt	13. 1x Front Transit Hook L and R		

### A. TRANSIT BRACKET ASSEMBLY

#### 1. Transit Bracket Assembly 1

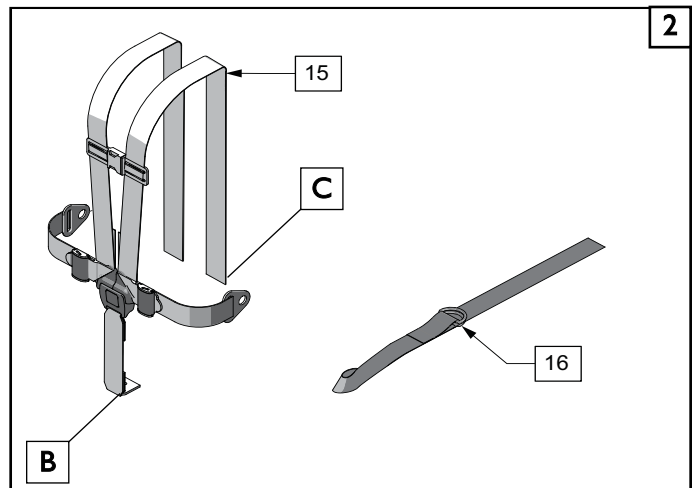
- Remove the seating shell from the Voyage Base and set it on a good work bench or a table for the assembly.
- Using a 10mm wrench, and a 4mm hex key, remove and save the button head screws (item 3) and nuts (item 1) from the side of the seating system.
- Locate the Front Transit Brackets, (item 13) which are left and right specific. Install both sides as shown in (figure 1), but do not tighten the hardware.
- Locate the Rear Transit Brackets (item 14), and install both sides as shown, do not tighten the hardware.
- Using the 10mm torque wrench, and 4mm hex key, tighten the screws and bolts to 55-60 in-lbs (**Do not overtighten**)



### B. SECUREMENT STRAPS ASSEMBLY

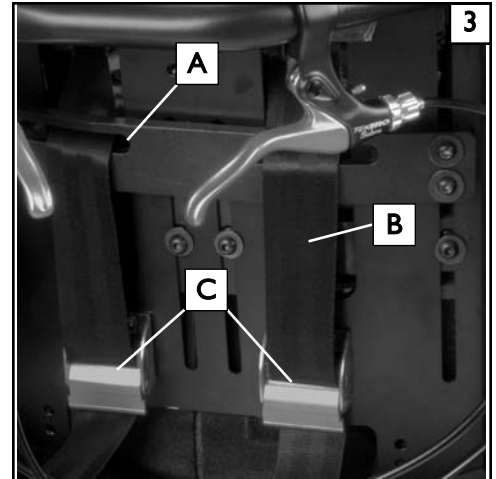
#### 2. Install the Harness and Transit Straps 1 2

- Inspect the shoulder belt height adjustment assembly, (items 9-12). These items are supplied with the original Device and may not need to be exchanged for the new parts that come in your kit. If the Shoulder belt bar and hardware are in good working condition, proceed to step b. Otherwise, remove the shoulder belt bar assembly as shown in (figure 1) and replace with the new parts. Be sure the hardware is tightened to 40-45 in-lbs (**Do not overtighten**)
- Locate the 5-point harness (item 15) and attach it to the seating shell. The front of the harness is attached by taking the strap end (B) and Button Head screw (item 2), under the front of the seat rail, and threading the screw thru the eyelet on the strap up into the seat rail (A). Using a 4mm hex key tighten this screw to 40-45 in-lbs (**Do not overtighten**)



**3. Finish the Shoulder Strap Assembly** 3

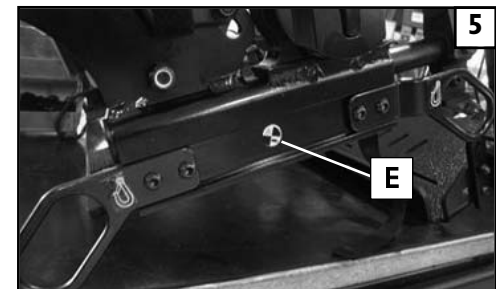
- a. After attaching the front of the Harness to the seating area, remove the Back pad and rear cover so that the Strap slots (A) are visible.
- b. Thread the nylon shoulder straps (B) thru the slots.
- c. Finish by threading the nylon shoulder straps thru the adjustable cam-lock Buckles (C)
- d. The belts can be adjusted once the child is seated in the seating system.

**4. Attachment and use of the Tether Strap.** 4

- a. Transit testing was performed with the tether strap permanently attached at the points shown in (figure 4) and must be used with the transit equipped device.
- b. Loop the tether strap (D) around the stroller handle, and the top bar of the seating shell.
- c. Thread the strap and velcro® thru the two “D” clips as shown.
- d. Tighten the strap once it is threaded correctly.

**5. Attach transit sticker to Seat Rail.** 5

- a. It is important to attach the transit notification sticker (E) that comes in your kit.
- b. Add it to the seat rail location on the product as shown in (figure 5)

**C. CHECKOUT****1. Double-check Orientation and Torque on all Hardware.**

- a. Check that front transit brackets (H) have been installed evenly from side to side.
- b. Using a torque wrench and socket wrench with a 3mm and 4mm hex drive, check front and rear screws for correct torque.

**NOTE-** Do not over-tighten the backrest plate pivot bolt as it may hinder the backrest from folding properly.

**DEALER/TECHNICIAN WARNING****⚠ WARNING**

Attention dealers and qualified technicians, do not operate or service this device without first reading the owners manual. If you do not understand the instructions and warnings in the owners manual please contact the Quickie Technical Service Department before operating and/or servicing the Quickie device. Failure to do so may result in damage and/or injury.

**IMPORTANT-** Please see the Zippie Voyage owner's manual for additional warnings and information.

Sunrise Medical • 2842 Business Park Ave. • Fresno, CA 93727 • USA  
In Canada (800) 263-3390