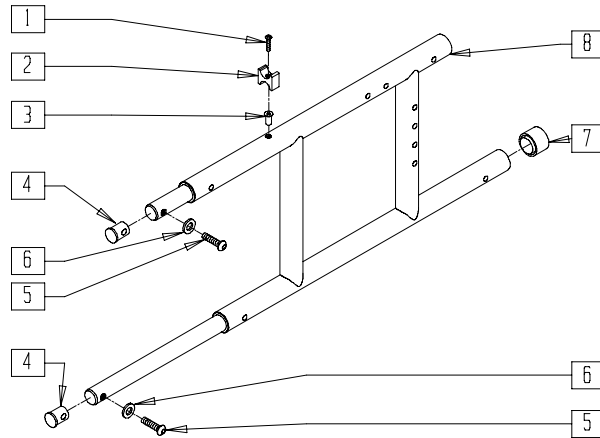


Folding Frames

IN THIS SECTION

Rear Side Frame (Quickie Recliner)	1.1	Frame (Quickie Revolution)	1.3
Swing-away Front Side Frame (Quickie Recliner)	1.1	Side Frame (Quickie Chameleon/Chameleon HD)	1.4
Cross Tube Assembly (11"-13") (Quickie Recliner/Rx).....	1.2	Cross Braces (Quickie Chameleon).....	1.5
Cross Tube Assembly (14"-20") (Quickie Recliner/Rx).....	1.2	Heavy Duty Cross Braces (Quickie Chameleon HD).....	1.6

REAR SIDE FRAME (QUICKIE RECLINER)



Drawing shows left side

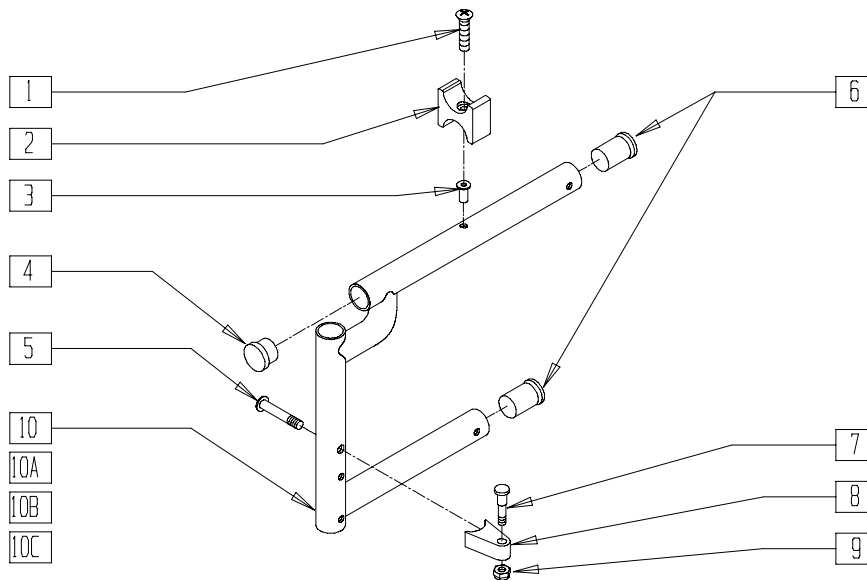
REC00X17

ITEM	NUMBER	DESCRIPTION	QTY
1	281122	10-32 x 3/4 PAN PHIL	1
2	561030	SUSPENSION SADDLE STD	1
3	341497	10-32 x .020-.130 RIVNUT GOLD	1
4	483001	Q2 FRAME/FOOT RETAINING PLUG	2
5	226120	1/4-20 x 1 BH C/S	2

ITEM	NUMBER	DESCRIPTION	QTY
6	262130	6mm WASHER WAVE	2
7	561018	1" TUBE END BUSHING THICK	1
1-8	620143, 620144	REAR S/F PNTD RECLINER NEW (EA) (SPECIFY COLOR)	

NOTE: FOR LOCKING MECHANISM, SEE SECTION 16, MECHANICAL LOCK AND STRUT ASSEMBLIES.

SWING-AWAY FRONT SIDE FRAME (QUICKIE 2/RECLINER)



Drawing shows left side

Q20X03A

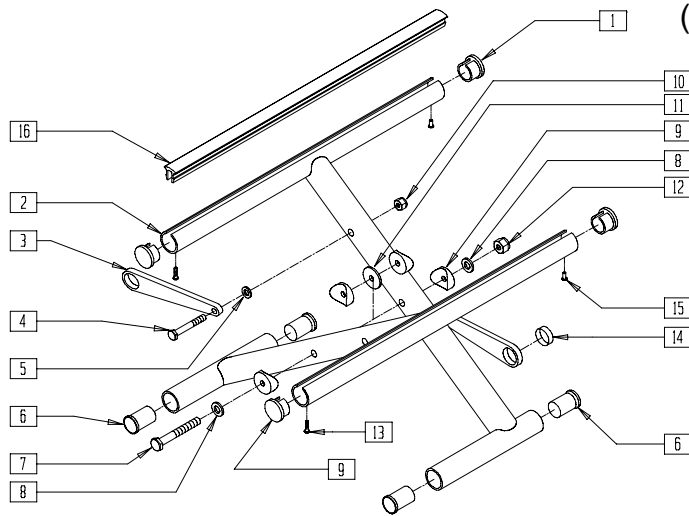
ITEM	NUMBER	DESCRIPTION	QTY
1	281122	10-32 x 3/4 PAN PHIL	1
2	561030	SUSPENSION SADDLE STD	1
3	341497	10-32 x .020-.130 RIVNUT GOLD	1
4	561002	1" INSERT PLUG .083	1
5	226190	5/16-18 x 1 3/4 BH C/S SHLDR	1
6	560406	FRAME BUSHING	2
7	481023	S/A LATCH STUD NEW	1
8	551310	LATCH STUD SUPPORT BLK	1
9	201100-QU	1/4-28 NYLOCK NUT THIN	1

ITEM	NUMBER	DESCRIPTION	QTY
1-4,6,10	640105*	FRONT S/F KIDS PAINTED S/A NEW (SPECIFY COLOR)	
1-4,6,10A	640200*	FRONT S/F REG PAINTED S/A (SPECIFY COLOR)	
1-4,6,10B	640300*	FRONT S/F LNG PAINTED S/A (SPECIFY COLOR)	
1-4,6,10C	640301*	FRONT S/F X-LONG PAINTED S/A (SPECIFY COLOR)	
5,7-9	921295	S/A LATCH ASSM W/BOLT	

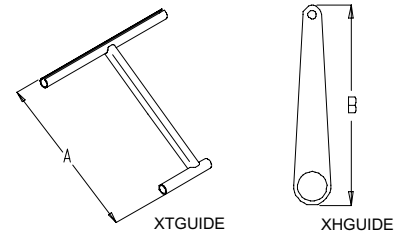
NOTE: *FOR CHAIRS MANUFACTURED BEFORE 9/9/99 REPLACE BOTH SIDES.

CROSS TUBE ASSEMBLY (11"- 13") (QUICKIE RECLINER/Rx)

(Effective 10/23/99 Serial number Q2-242051)



MEASURING GUIDE



CHAIR WIDTH	"A"	"B"
12"	15 3/8"	3 3/4"
13"	16 1/8"	4 1/8"

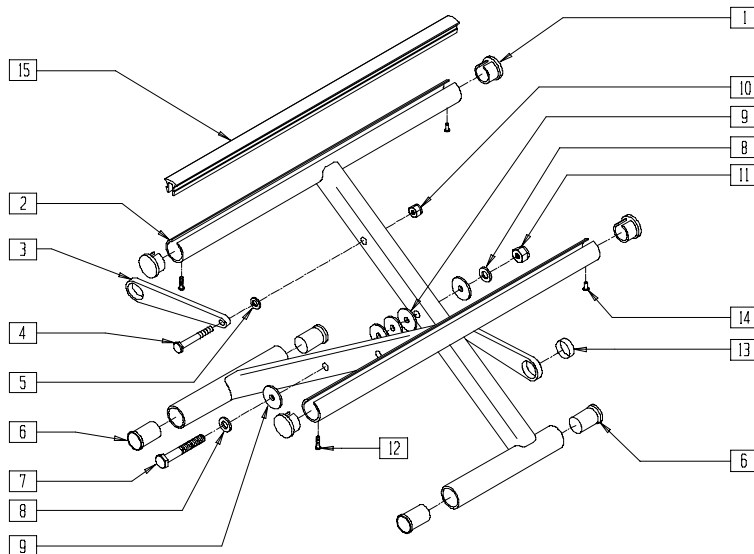
Q220X03A

ITEM	NUMBER	DESCRIPTION	QTY
1	483552	SEAT RAIL END PLUG	4
3	923600, 923601	X-HINGE 12"-13" (PR)	1
4	221151-QU	1/4-28 x 1 3/4 G8 HEX C/S	2
5	561028	1/4" NYLON WASHER	2
6	560402	3/4" NY-LINER	4
7	226300	5/16-24 x 3 G8 HHCS	1
8	263110-QU	5/16 AN WASHER FLAT THIN	2
9	561006	1" SADDLE 5/16" HOLE	4
10	201110-QU	1/4-28 NYLOCK NUT	2

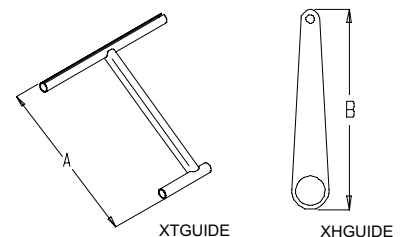
ITEM	NUMBER	DESCRIPTION	QTY
11	561016	1" WASHER 5/16" HOLE	1
12	202100-MJ	5/16-24 NYLOCK NUT THIN	1
13	281131	#10 3/8" SELF TAPPING SCREW	2
14	580200	TEFLON STRIP BEARING	2
15	240111	RIVET POP AD55H BLK	2
16	580020-580028	SEAT RAIL INSERT STRIP (10" - 18")	2
1-15	673500-673517	X-TUBE ASSM (11"- 13") x (10"- 18") CHNL	

CROSS TUBE ASSEMBLY (14"- 20") (QUICKIE RECLINER/Rx)

(Effective 10/23/99 Serial number Q2-242051)



MEASURING GUIDE



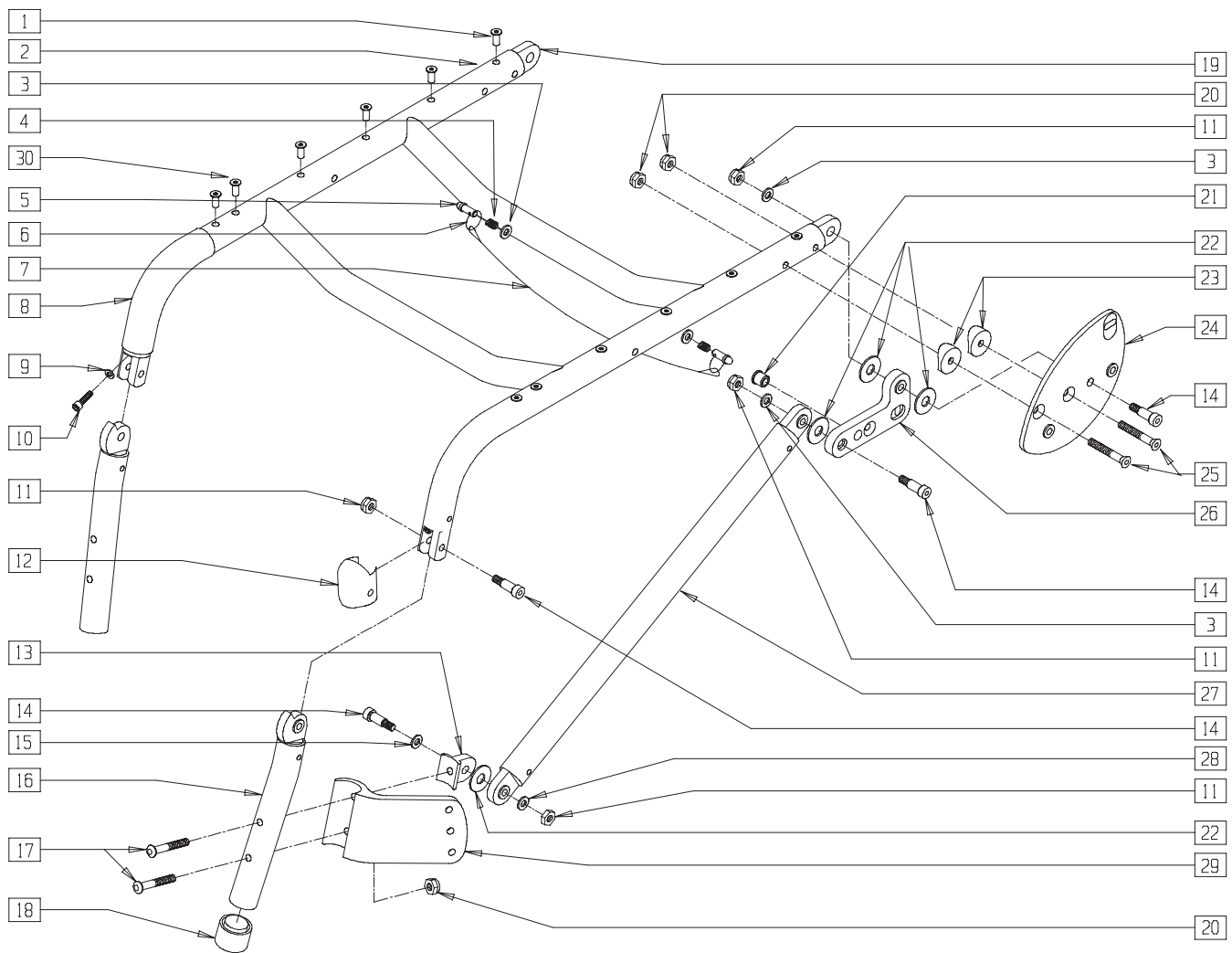
CHAIR WIDTH	"A"	"B"
14"	17	4 1/2"
15"	17 3/4"	5"
16"	18 1/2"	5 1/2"
17"	19 1/2"	5 7/8"
18"	20 3/8"	6 3/8"
19"	21 1/4"	6 7/8"
20"	22 1/8"	7 1/4"

Q220X02A

ITEM	NUMBER	DESCRIPTION	QTY
1	483552	SEAT RAIL END PLUG	4
3	923602-923608	X-HINGE (14"- 20") BLK (PR)	2
4	221151-QU	1/4-28 x 1 3/4 G8 HEX C/S	2
5	561028	1/4" NYLON WASHER	2
6	560402	3/4" NY-LINER	4
7	226300	5/16-24 x 3 G8 HHCS	1
8	263110-QU	5/16 AN WASHER FLAT THIN	2
9	561016	1" WASHER 5/16" HOLE	5

ITEM	NUMBER	DESCRIPTION	QTY
10	201110-QU	1/4-28 NYLOCK NUT	1
11	202100-MJ	5/16-24 NYLOCK NUT THIN	1
12	281131	#10 3/8" SELF TAPPING SCREW	2
13	580200	TEFLON STRIP BEARING	2
14	240111	RIVET POP AD55H BLK	2
15	580020-580030	SEAT RAIL INSERT STRIP (10" - 20")	2
1-14	673518-673591	X-TUBE ASSM (14"- 20") x (10"- 20") CHNL	

FRAME (QUICKIE REVOLUTION)

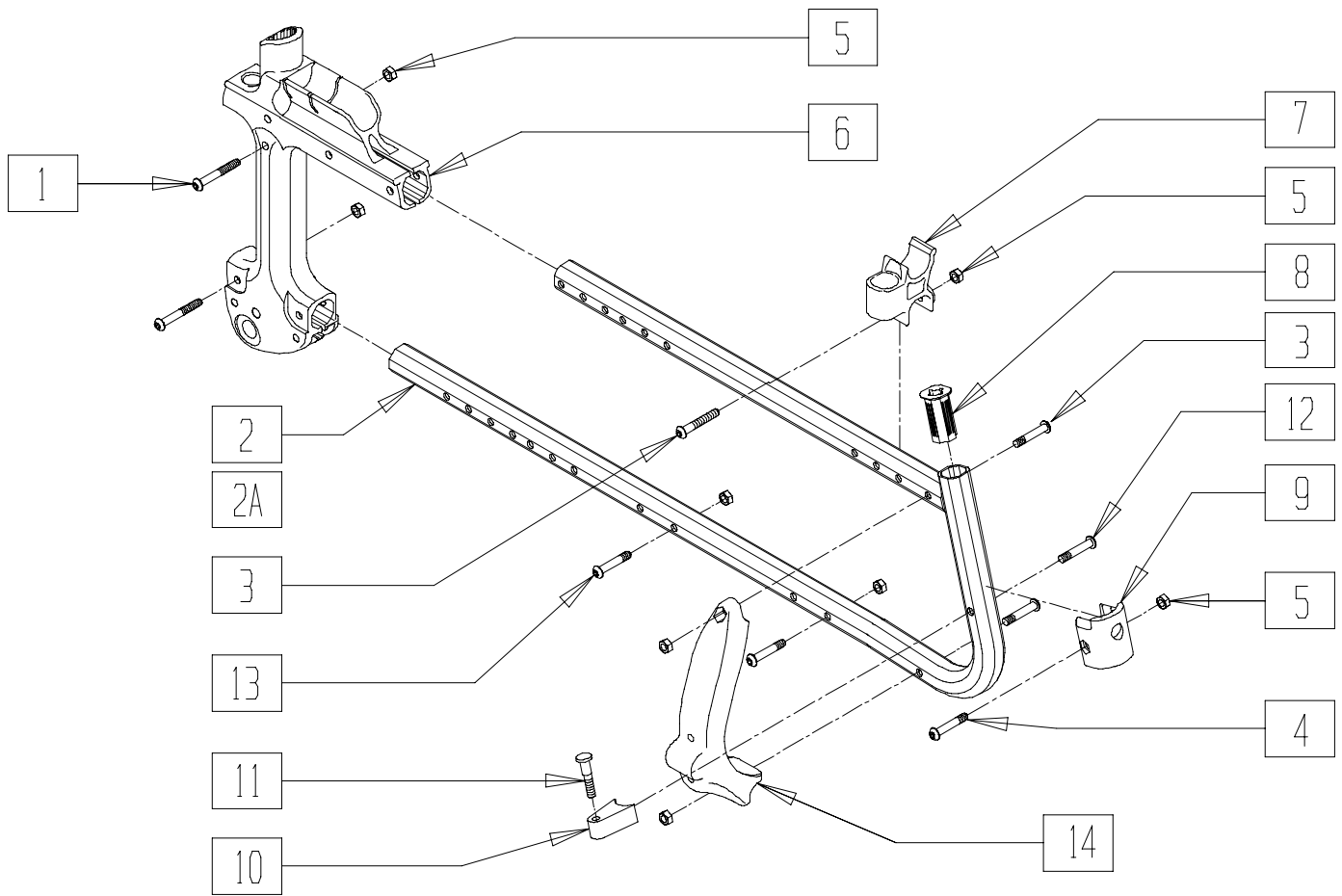


2D000X01

ITEM	NUMBER	DESCRIPTION	QTY
1	341491	10-32 x .130-.225 RIVNUT GOLD	4-8
1,2,19,30	661030	SEAT FRAME PNTD RV (SPECIFY DIMENSIONS AND COLOR)	1
3	262100-QU	1/4 AN WASHER FLAT	4
4	321162	SPRING .300 x 1/2 LONG	2
5	481222	FOLDING LATCH PIN	2
6	342015	LANYARD ATTACH RING	2
7	139103- 139110	LANYARD 13"-20"	1
8	560611	7" x .940 x .125 FOAM GRIP	2
9	261206	#10 WASHER HI-COLLAR LOCK ZN	2
10	221300	10-32 x 1/2 SOC C/S BLK W/PATCH	2
11	201105	1/4-20 NYLOCK NUT THIN	8
12	561555	KNEE CAP	2
13	550338, 550339	CASTER HINGE RV (EA)	1
14	226094	5/16 x 5/8 LG SHLDR BOLT	8
15	263110	5/16" AN WASHER FLAT THIN	2
16	621160, 621161	FRNT FRAME ASSEMBLY PNTD RV (EA) (SPECIFY COLOR)	1
17	226267	1/4-28 x 1 5/8 BH C/S W/PATCH	4

ITEM	NUMBER	DESCRIPTION	QTY
18	561082	1" TUBE END BUSHING THIN	2
19	483155	HINGE BLOCK FRAME RV	2
20	201100-QU	1/4-28 NYLOCK NUT THIN	6
21	481221	FOLDING LATCH BUSHING	2
22	561043	1" WASHER 3/8" HOLE	6
23	561004	1" SADDLE 1/4" HOLE	4
24	501120, 501121	SIDE PLATE W/BUSHING RV (EA)	1
25	226132	1/4-28 x 1 1/2 FH SOC SCREW BLK	4
26	501126, 501127	HINGE BRKT W/BUSHING RV (EA)	1
27	661064- 661068	BOTTOM FRAME ASSEMBLY PNTD 14"-18" RV (SPECIFY COLOR)	2
28	262110-QU	1/4 AN WASHER FLAT THIN	2
29	550328, 550329	CASTER BRACKET RV (EA) R (FLANGE) L	1
30	341497	10-32 x .020-.130 RIVNUT GOLD	4
3-7	881524- 881530	FRAME REL CABLE ASSEMBLY RV 14"-20"	
1,2,8-30	620014- 620018	FRAME PNTD 14"-18" RV (SPECIFY WIDTH AND COLOR)	

SIDE FRAME (CHAMELEON/CHAMELEON HD)

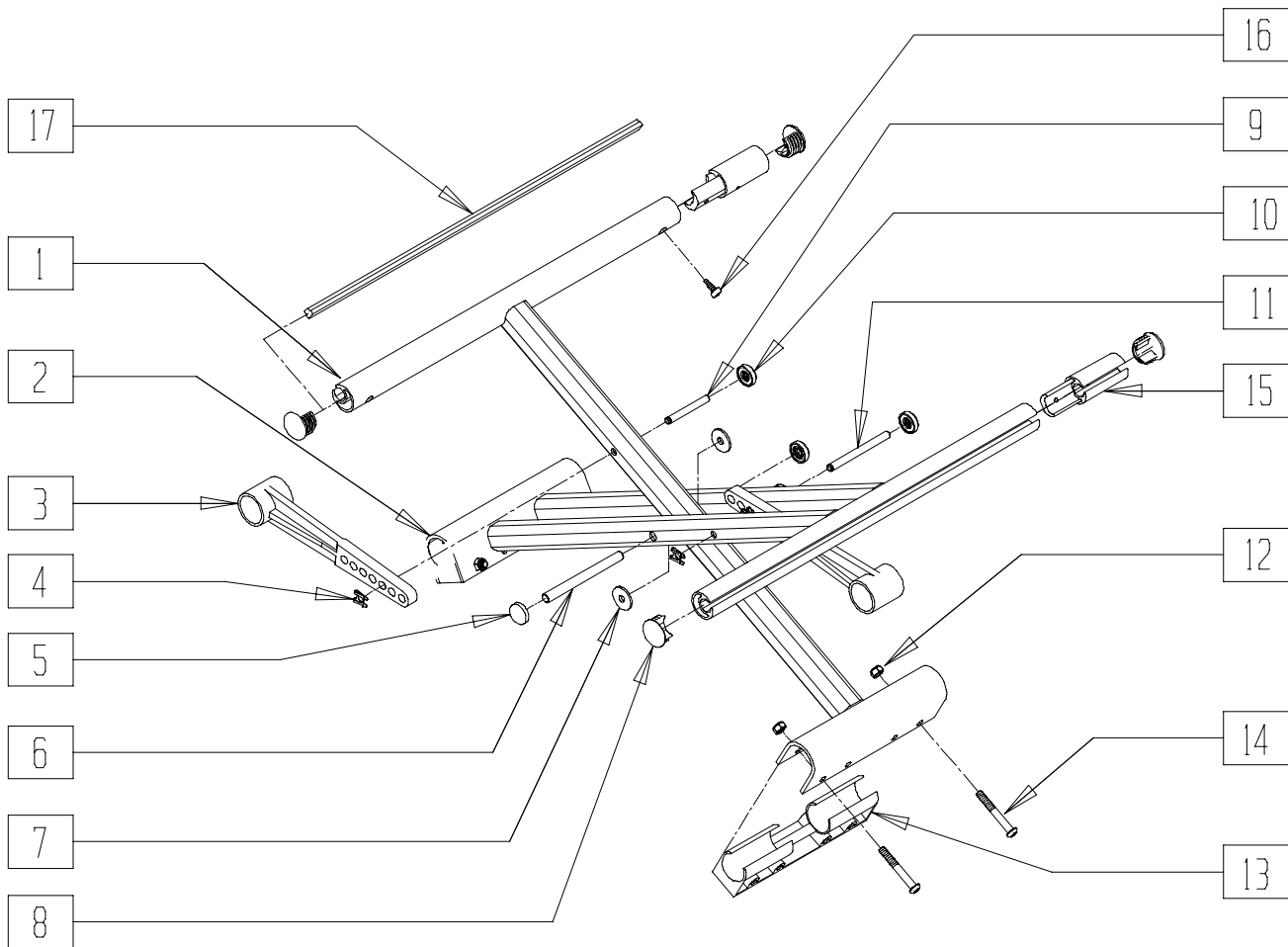


CHAM0X01

ITEM	NUMBER	DESCRIPTION	QTY
1	C2.1522	M6x45 SKT BTN HD [25 PLAIN]ZP	2
2	C2.1504	SIDE FRAME (16-18)(SPECIFY COLOR)	1
2A	C2.1602	SIDE FRAME LONG(18-20)HD (SPECIFY COLOR)	1,3
3	C2.1524	M6 x 40 SKT BTN HD[25 PLAIN]ZP	1
4	C2.1523	M6 x 35 SKT BTN HD[25 PLAIN]ZP	1
5	C2.2023	M6 NYLOCK NUT	6,8
6	C2.1502	BACKPOST MOULDING	1
8	C2.2021	HANGER PIVOT BUSHING	1

ITEM	NUMBER	DESCRIPTION	QTY
13	C2.2510	M6 X 30 BTN HD BOLT (20 PLAIN)	2
14	C2.6400	HEMI BRACKET	1
3,5,7	888064	ARMREST RECEIVER SADDLE W/HDWR	
4,5,9	888065	HANGER BOSS KIT W/ HARDWARE	
10-12	888106	ELR (S/A) LATCH ASSEM	
1-9	888050, 888051	SIDE FRAME ASSY STD (EA) (SPECIFY COLOR)	
1,2A-9	888061, 888062	SIDE FRAME ASSY LONG (EA) (SPECIFY COLOR)	
3,5,14	888182	HEMI BRACKET W/HARDWARE (PR)	

CROSS BRACES (CHAMELEON)



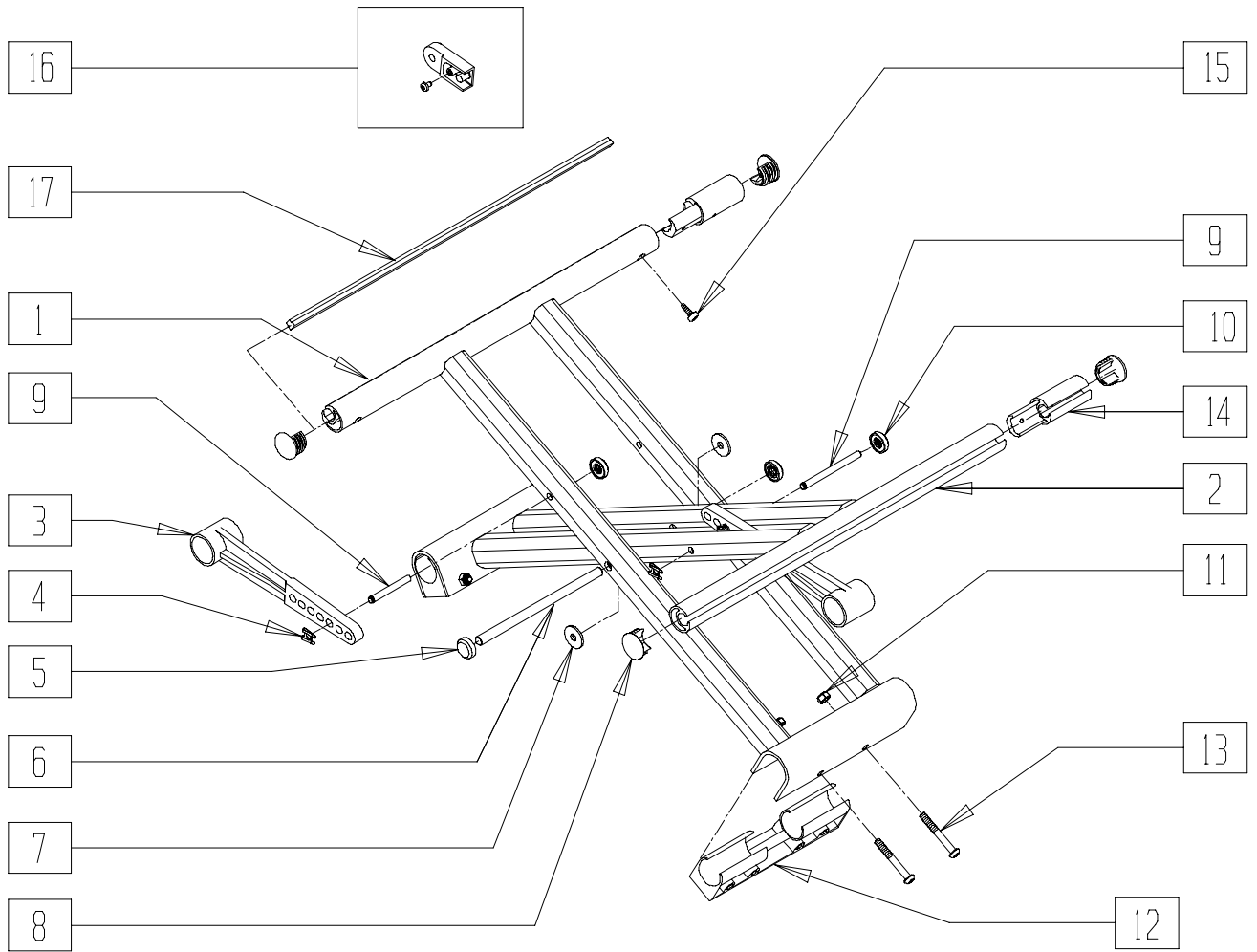
CHAM0X10

ITEM	NUMBER	DESCRIPTION	QTY
1	C2.1144- C2.1150	1 ARM X-BRACE SUB ASSEM (14'-20')	1
2	C2.1117- C2.1123	2 ARM X-BRACE SUB ASSEM (DOUBLE ARM)(14'-20')	1
3	C2.1002	X-HINGE 14" - 20"	2
4	000 185 002	6mm SHAFT CLIP	2
8	888066	SEAT RAIL END PLUG (20 EA)	1
12	C2.2023	M6 NYLOCK NUT	4
13	C2.1003	X-BRACE MOULDING	2
14	C2.1522	M6x45 SKT BTN HD ZP	4
17*	C2.1042	SEAT RAIL INSERT 16"	2
	C2.1043	SEAT RAIL INSERT 18"	

ITEM	NUMBER	DESCRIPTION	QTY
3,4,9,10	888084	X-HINGE ASSY SML	
3,4,10,11	888085	X HINGE ASSY LRG	
5-7	888068	X-BRACE CENTER PIVOT SHAFT SET	
8,15,16	888083	2" SEAT RAIL EXTENSION ASSEM	
1-14	888069	X-BRACE 14" CPL.	
	888070	X-BRACE 15" CPL.	
	888071	X-BRACE 16" CPL.	
	888072	X-BRACE 17" CPL.	
	888073	X-BRACE 18" CPL.	
	888074	X-BRACE 19" CPL.	
	888075	X-BRACE 20" CPL.	

* FOR 17" DEEP CHAIR USE 16" SEAT RAIL INSERT.

HEAVY DUTY CROSS BRACES (CHAMELEON HD)



CHAM0X27

ITEM	NUMBER	DESCRIPTION	QTY
1	C2.1234- C2.1237	2 ARM OUTER X-BRACE (18"-22"x16")	1
	C2.1242- C2.1245	2 ARM OUTER X-BRACE (18"-22"x18")	
2	C2.1230- C2.1233	2 ARM INNER X-BRACE (18"-22"x16)	1
	C2.1238- C2.1241	2 ARM INNER X-BRACE (18"-22"x18")	
	C2.1002	X-HINGE 14"- 20"	
4	000 185 002	6mm SHAFT CLIP	2
8	888066	SEAT RAIL END PLUG (20 EA)	1
11	C2.2023	M6 NYLOCK NUT	4
12	C2.1003	X-BRACE MOULDING	2

ITEM	NUMBER	DESCRIPTION	QTY
13	C2.1522	M6x45 SKT BTN HD ZP	4
16	888193	HD X-HINGE ADAPTER ASSM	
17*	C2.1042- C2.1044	SEAT RAIL INSERT 16", 18", 20"	
3,4,9,10	888085	HD X-HINGE ASSY LRG	
5-7	888183	X-BRACE CENTER PIVOT SHAFT SET	
8,14,15	888083	2" SEAT RAIL EXTENSION ASSEM	
1-13	888185- 888187	HD X-BRACE STD 18"-20"	
	888189- 888191	HD X-BRACE LONG 18"-20"	
	888188- 888192	HD X-BRACE 22" STD HD X-BRACE 22" LONG	

* FOR 17" DEEP CHAIR, USE 16" SEAT RAIL INSERT. FOR 19" DEEP CHAIR, USE 18" SEAT RAIL INSERT.

