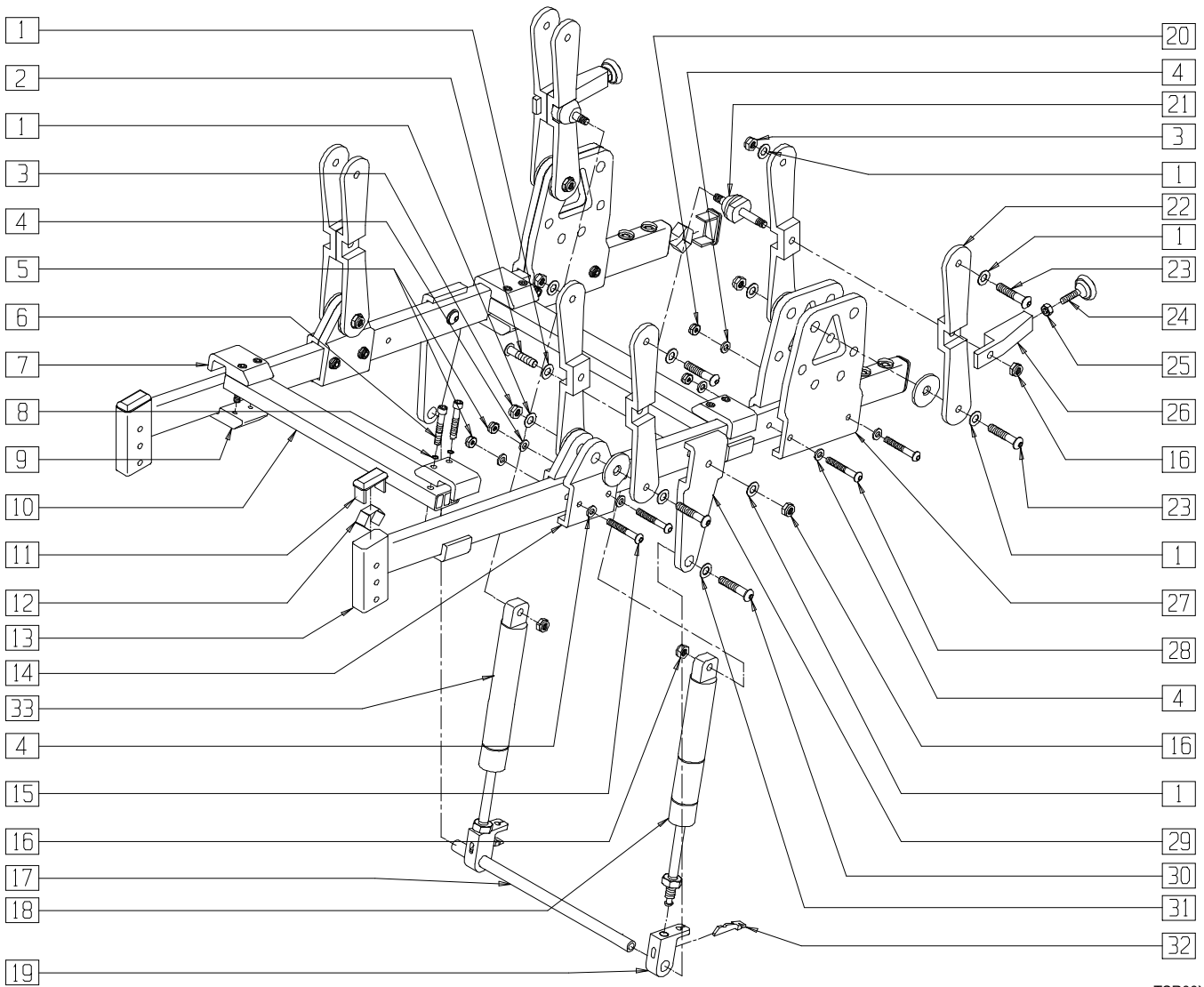


Pediatric and Positioning Frames

IN THIS SECTION

Base Frame (Quickie T45)	2.1	Growing Contracture Seat Frame (Quickie TS).....	2.8
Back Frame (Fixed Back Tilt) (Quickie T45).....	2.2	Rigid Base Frame (Regular and Flared)	
Back Frame (Reclining Back) (Quickie T45)	2.3	(Quickie TS).....	2.9
Frame (Quickie TS)	2.4	Growing Frame (Regular and Flared)	
Standard Rigid Seat Frame (Quickie TS).....	2.5	(Quickie TS).....	2.10
Contracture Rigid Seat Frame (Quickie TS).....	2.6	Frame (Zippie).....	2.11
Standard Growing Seat Frame (Quickie TS).....	2.7	Frame (Quickie Kidz).....	2.12

BASE FRAME (QUICKIE T45)

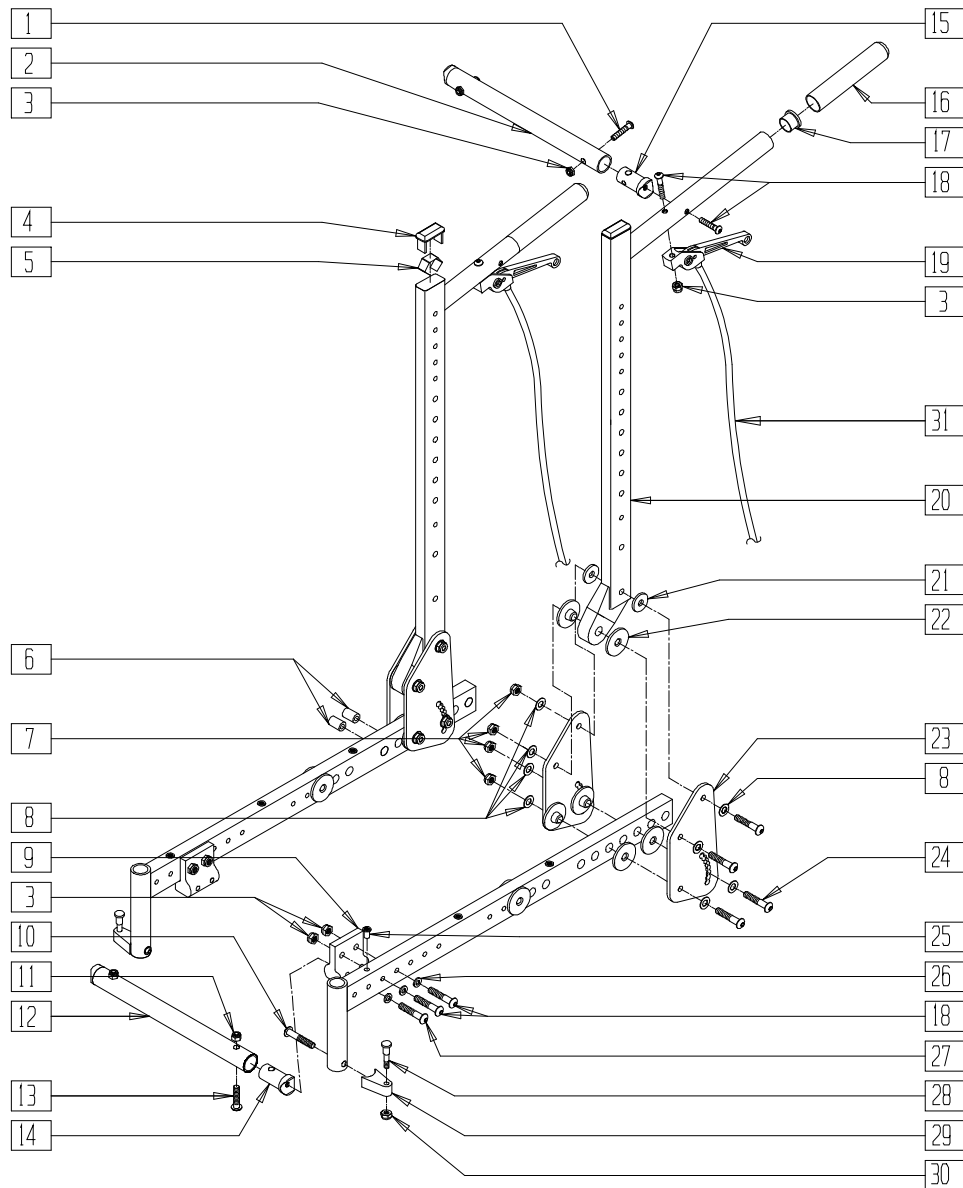


TSR00X01

ITEM	NUMBER	DESCRIPTION	QTY
1	263100	5/16 AN WASHER FLAT	20
2	222256	5/16-18 x 1 1/2 BH C/S	2
3	202103	5/16-18 NYLOCK NUT THICK	8
4	262100-QU	1/4 AN WASHER FLAT	16
5	201100-QU	1/4-28 NYLOCK NUT THIN	4
6	226114	1/4-28 x 1 1/2 SOC C/S BLK	8
7	550248	T45 STRUT CLAMP RECESSED	4
8	262114	1/4 WASHER HI COLLAR LOCK ZN	8
9	550247	T45 STRUT CLAMP THREADED	4
10	522904- 522910	LATERAL STRUT T45 14"-20"	2
11	561372	3/4 x 1 1/2 RECT TUBING CAP	2
12	540190	RECT TUBING CAP SPRING P2	2
13	600160	BASE S/F PNTD T45	4
14	550145	LINK MNTG BLOCK T45	2
15	226150	1/4-28 x 2 BH C/S	4
16	202102	5/16-18 NYLOCK NUT THIN	6
17	481354- 481360	T45 TILT PIVOT ROD 14"-20"	1

ITEM	NUMBER	DESCRIPTION	QTY
18	342068	BLOCK-O-LIFT W/SPRING 200N x 11.58	1
	342066	BLOCK-O-LIFT W/SPRING 300N x 11.58 HD	
19	483147	T45 GAS SPRING BLOCK	2
20	201112	1/4-28 NUT THIN	4
21	481085	STUD GAS SPRING MNT	2
22	550144	(04) LINK T45	8
23	226198	5/16-18 x 2 BH C/S SHT THREAD	8
24	349560	ZP RUBBER STOP	2
25	201121	1/4-20 NUT THIN	2
26	550149	RECLINE LIMIT BAR	2
27	550146	AXLE PLATE T45	4
28	226150	1/4-28 x 2 BH C/S	4
29	550143	GAS SPRING PIVOT BRKT	2
30	226182	5/16-18 x 1 BH C/S	2
31	263118	5/16 WASHER TYPE B R SERIES	2
32	560686	GAS SPRING LEVER T45	2
	342065	BLOCK-O-LIFT W/O SPRING 200N x 11.58	
	342067	BLOCK-O-LIFT W/O SPRING 300N x 11.58 HD	1

BACK FRAME (FIXED BACK TILT) (QUICKIE T45)

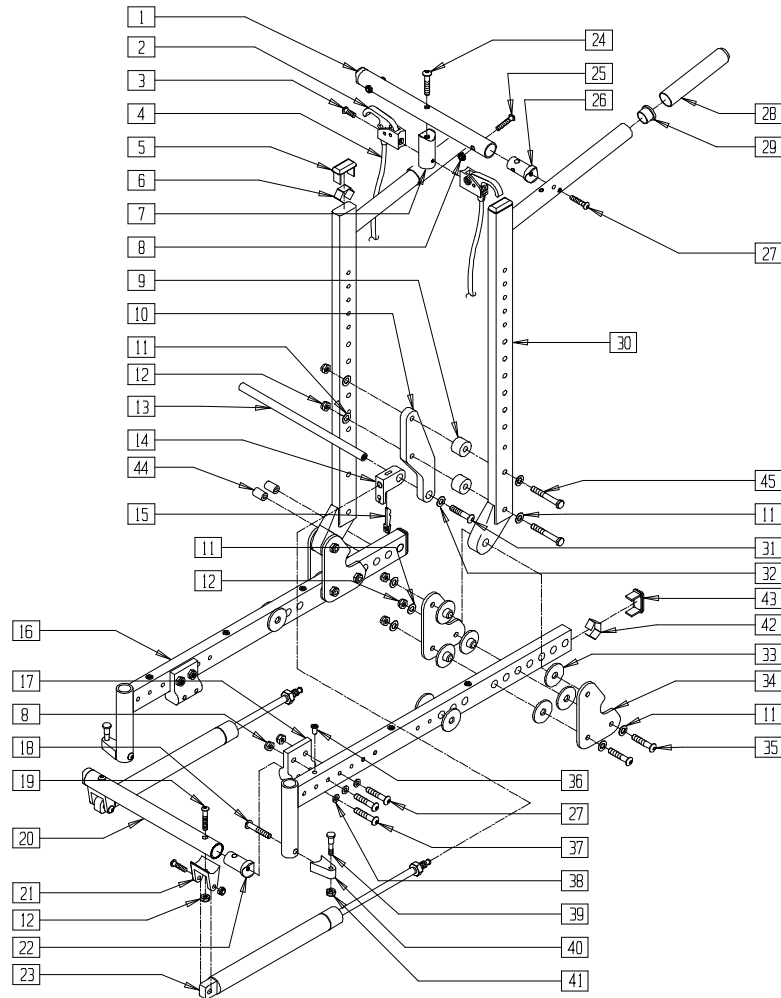


TSR00X03A

ITEM	NUMBER	DESCRIPTION	QTY
1	226131	1/4-28 x 1 1/4 BH C/S SHLDR	2
2	522874-522880	T45 BACK STRUT TUBE 14"-20"	1
3	201100-QU	1/4-28 NYLOCK NUT THIN	6
4	561372	3/4 x 1 1/2" RECT TUBING CAP	2
5	540190	RECT TUBING CAP SPRING P2	2
6	561057	T45 FRAME PLUG PLASTIC	10
7	202102	5/16-18 NYLOCK NUT THIN	8
8	263100	5/16 AN WASHER FLAT	16
9	550147	T45 GAS SPRING MNTG BRKT TOP	2
10	226190	5/16-18 x 1 3/4 BH C/S SHLDR	2
11	202102	5/16-18 NYLOCK NUT THIN	2
12	522834-522840	STRUT TUBE T45 14"-20"	1
13	222108	5/16-18 x 1 1/4 BH C/S	2
14	483118	STRUT SADDLE T45	2
15	483038	STRUT SADDLE ZP/P5/KZ	2

ITEM	NUMBER	DESCRIPTION	QTY
16	560663	QUICKIE GRIP 1"	2
17	561002	1" INSERT PLUG .083	2
18	226130	1/4-28 x 1 1/2 BH C/S	4
19	580112	CYL LOCK LEVER ASSEMBLY T45	2
20	842160	BACK TUBE PNTD T45	2
21	561016	1" WASHER 5/16" HOLE	4
22	560800	FRAME BUSHING T45/P3N	16
23	501024	FIXED BACK PIVOT PLATE	4
24	226195	5/16-18 x 1.82 BH C/S	8
25	341512	10/32 x .080 - .130 RIVNUT ZN	6
26	262100-QU	1/4 AN WASHER FLAT	4
27	226140	1/4-28 x 1 3/4 BH C/S	2
28	481023	S/A LATCH STUD NEW	4
29	551310	LATCH STUD SUPPORT BLK	2
30	201100-QU	1/4-28 NYLOCK NUT THIN	1
31	342056	CYL LOCK CABLE ASSEMBLY T45	2
7,8,21-24	880012	CONVERSION KIT FIXED BACK T45	
10,28-30	921295	S/A LATCH ASSEMBLY W/BOLT BLK	

BACK FRAME (RECLINING BACK) (QUICKIE T45)



TSR00X02A

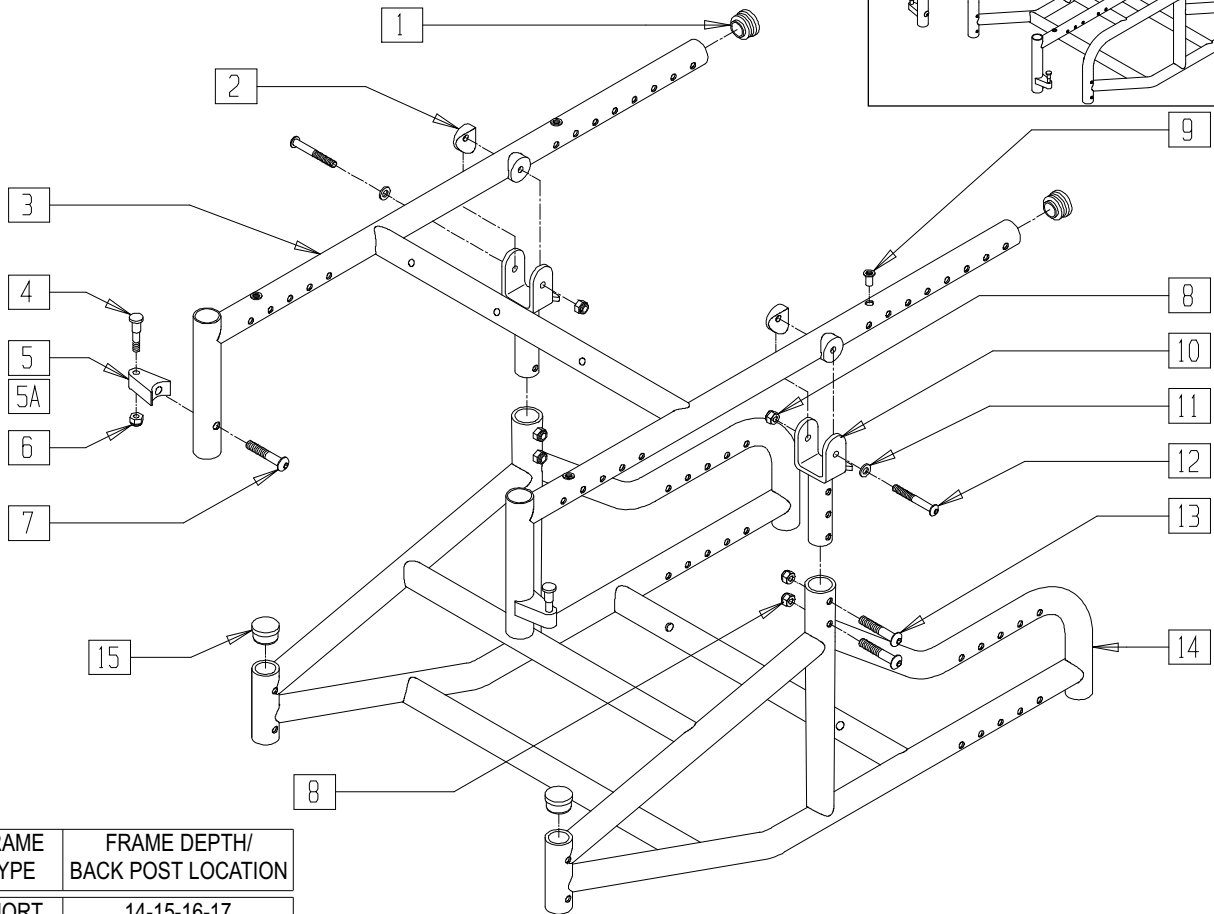
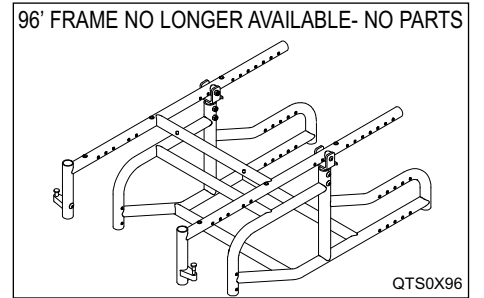
ITEM	NUMBER	DESCRIPTION	QTY
1	522874-522880	T45 BACK STRUT TUBE 14"-20"	1
2	580111	CYL LOCK LEVER ASSEMBLY RECLINER	2
3	281120	10/32 x 5/8 PAN HD PHIL	2
4	342057	CYL LOCK CABLE ASSEMBLY	2
5	561372	3/4 x 1 1/2 RECT TUBING CAP	4
6	540190	RECT TUBING CAP SPRING P2	4
7	483139	T45 RELEASE LEVER MNTG BLOCK	1
8	201100-QU	1/4-28 NYLOCK NUT THIN	2,4
9	340405	SPACER 1.00 x .33 x 1.06	4
10	550243	T45 BACK RECLINER BRACKET	2
11	263100	5/16 AN WASHER FLAT	20
12	202102	5/16-18 NYLOCK NUT THIN	14
13	481364-481370	T45 RECLINER PIVOT ROD 14"-20"	1
14	483147	T45 GAS SPRING BLOCK	2
15	560686	GAS SPRING LEVER T45	2
17	550147	T45 GAS SPRING MNTG BRACKET TOP	1,2
18	226190	5/16-18 x 1 3/4 BH C/S SHLDR	2
19	226138	5/16-24 x 1 1/2 BH C/S	4
20	522834-522840	STRUT TUBE T45 14"-20"	1
21	500145	CYLINDER BRACKET T45	2
22	483118	STRUT SADDLE T45	2
23	342064	BLOC-O-LIFT 200 N x 15.88"	2
24	222256	5/16-18 x 1 1/2 BH C/S	1
25	226131	1/4-28 x 1 1/4 BH C/S SHLDR	2

ITEM	NUMBER	DESCRIPTION	QTY
26	483038	STRUT SADDLE ZP/P5/KZ	4
27	226130	1/4-28 x 1 1/2 BH C/S	2,4
28	560663	QUICKIE GRIP 1"	2
29	561002	1" INSERT PLUG .083	2
30	842160	BACK TUBE PNTD T45	2
31	226182	5/16-18 x 1 BH C/S	2
32	263118	5/16 WASHER TYPE BR SERIES	2
33	560800	FRAME BUSHING T45/P3N	16
34	505723	BACK PIVOT PLATE T45	4
35	226195	5/16-18 x 1.82 BH C/S	6
36	341497	10-32 x .020-.130 RIVNUT GOLD	3,6
37	226140	1/4-28 x 1 3/4 BH C/S	2
38	262100-QU	1/4 AN WASHER FLAT	4
39	481023	S/A LATCH STUD NEW	2
40	551310	LATCH STUD SUPPORT BLK	2
41	201100-QU	1/4-28 NYLOCK NUT THIN	2
42	540190	RECT TUBING CAP SPRING P2	1
43	561372	3/4 x 1 1/2" RECT TUBING CAP	1
44	561057	T45 FRAME PLUG PLASTIC	5
45	222243	5/16-18 x 2 3/4 HEX C/S	4
8,16,17,27,36,38,42-44	600162, 600164	SEAT S/F PNTD T45	
2-4,9-15,19,21,23,24,31-35,45	880014-880020	CONV KIT RECLINER BACK T45 14"-20"	
18,39-41	921295	S/A LATCH ASSM BLK W/BOLT CLR	

FRAME (QUICKIE TS)

(Effective 8/19/96, beginning QT-14956)

(Replacement frame for Quickie TS beginning QT-12900 12/15/95 and prior to QT-14956 8/19/96)



FRAME TYPE	FRAME DEPTH/ BACK POST LOCATION
SHORT	14-15-16-17
REGULAR	16-17-18-19
LONG	19-20-21-22

QTS00X6B

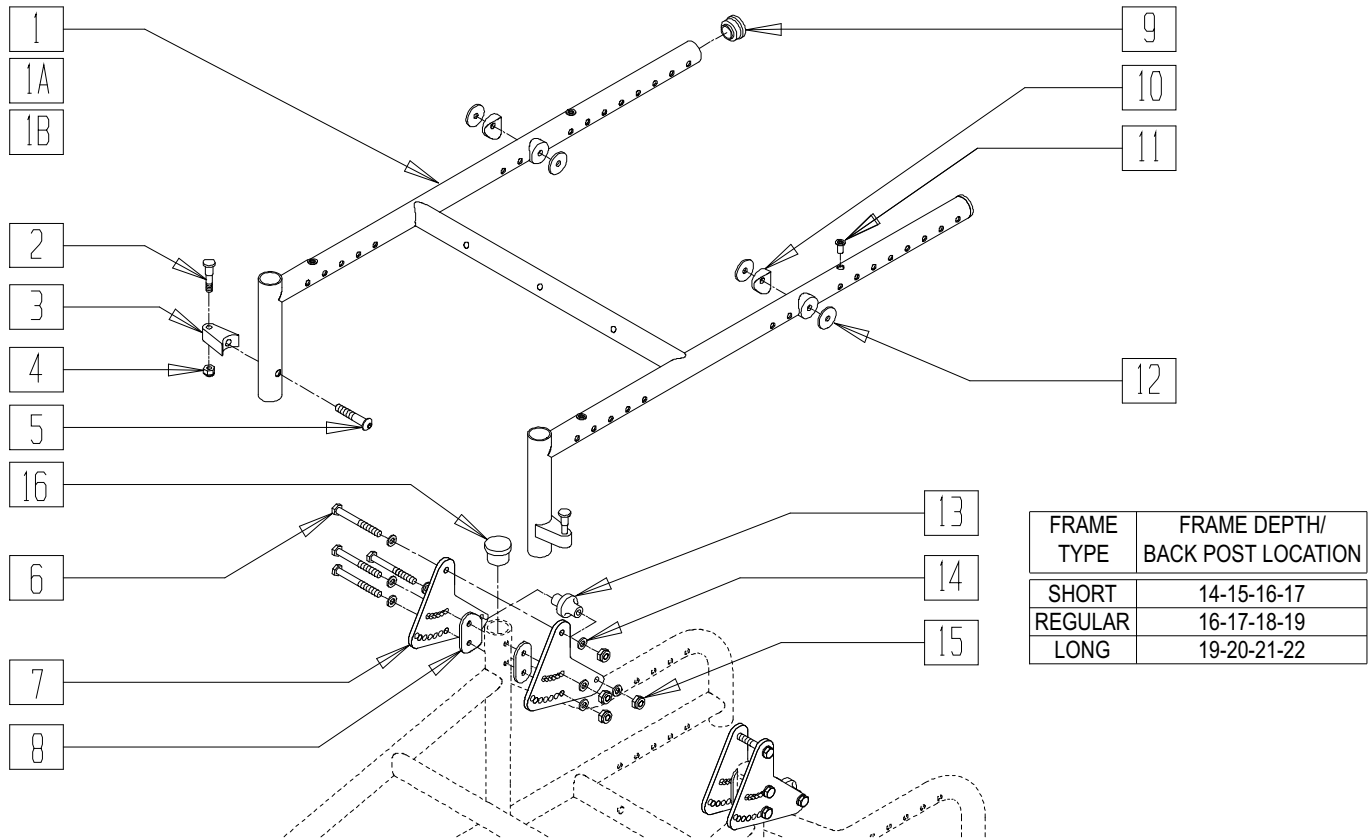
ITEM	NUMBER	DESCRIPTION	QTY
1	561062	1" INSERT PLUG .065 RIBS	2
2	561004	1" SADDLE 1/4" HOLE	4
3	661034- 661050	SEAT FRAME PNTD QTS (SPECIFY COLOR)	1
4	481023	S/A LATCH STUD NEW	2
5	550310	LATCH STUD SUPPORT	2
5A	551310	LATCH STUD SUPPORT BLK	2
6	201100-QU	1/4-28 NYLOCK NUT THIN	2
7	226190	5/16-18 x 1 3/4 BH C/S SHLDR	2
8	201110	1/4-28 NYLOCK NUT	6

ITEM	NUMBER	DESCRIPTION	QTY
9	341497	10-32 x .020-.130 RIVNUT GOLD	4
10	505251	TILT BRKT ZP TS 45°	2
11	262100-QU	1/4 AN WASHER FLAT	2
12	226150	1/4-28 x 2 BH C/S	2
13	226130	1/4-28 x 1 1/2 BH C/S	4
14	661974- 661990	FRAME PNTD QTS (SPECIFY COLOR)	1
15	561005	1" INSERT PLUG .125	2
4-7	920220	S/A LATCH ASSEMBLY W/BOLT	
4,5A,6,7	921295	S/A LATCH ASSEMBLY W/BOLT BLK	

NOTE: FOR LOCKING MECHANISM AND STRUT ASSEMBLY, SEE SECTION 16, MECHANICAL LOCK AND STRUT ASSMEBLIES.

STANDARD RIGID SEAT FRAME (QUICKIE TS)

(Effective 3/25/99, beginning serial number QT-25025)



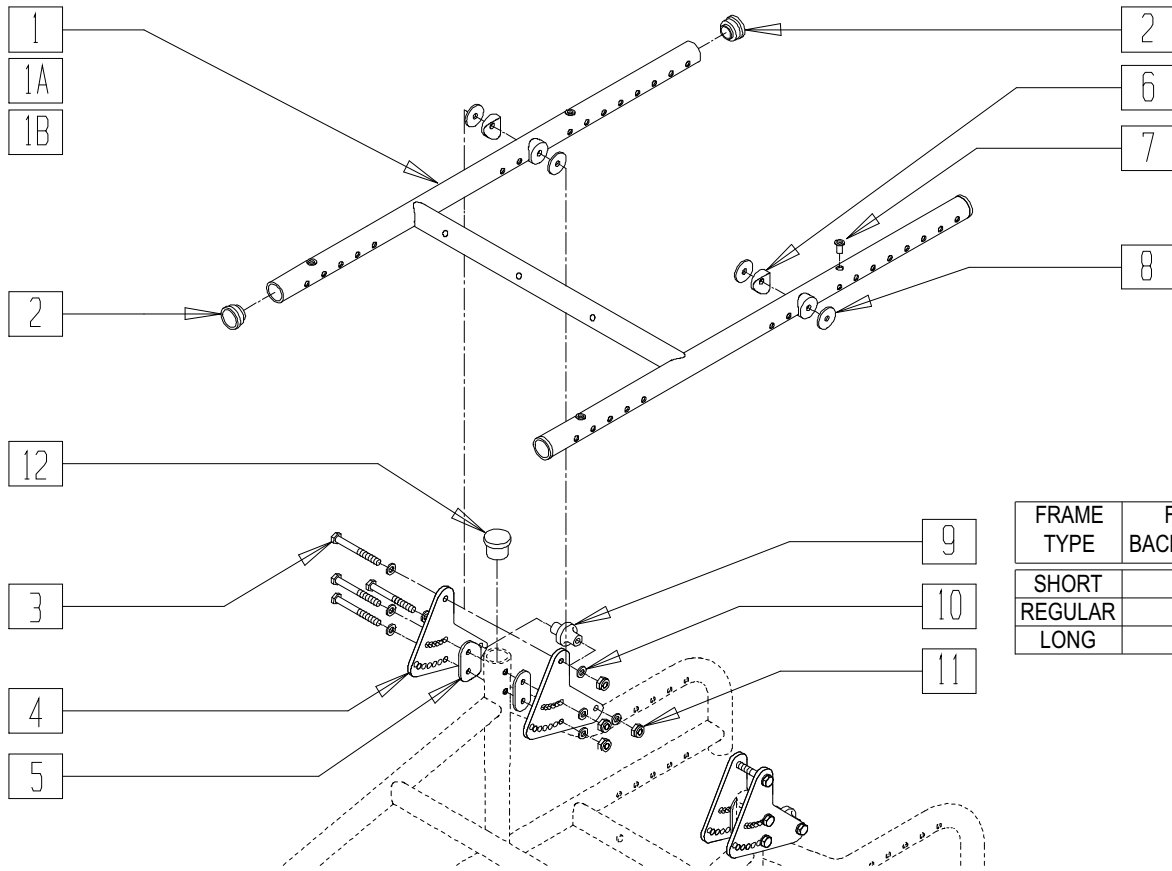
QTS30X09

ITEM	NUMBER	DESCRIPTION	QTY
1,9,11	661051	SEAT FRAME RIGID SHORT 14" W QTS	1
	661052	SEAT FRAME RIGID SHORT 15" W QTS	
	661053	SEAT FRAME RIGID SHORT 16" W QTS	
	661054	SEAT FRAME RIGID SHORT 17" W QTS	
	661055	SEAT FRAME RIGID SHORT 18" W QTS	
	661056	SEAT FRAME RIGID SHORT 19" W QTS	
	661057	SEAT FRAME RIGID SHORT 20" W QTS	
1A,9,11	661034	SEAT FRAME RIGID REG 14" W QTS	1
	661035	SEAT FRAME RIGID REG 15" W QTS	
	661036	SEAT FRAME RIGID REG 16" W QTS	
	661037	SEAT FRAME RIGID REG 17" W QTS	
	661038	SEAT FRAME RIGID REG 18" W QTS	
	661039	SEAT FRAME RIGID REG 19" W QTS	
	661040	SEAT FRAME RIGID REG 20" W QTS	
	1B,9,11	661044	
661045		SEAT FRAME RIGID LONG 15" W QTS	
661046		SEAT FRAME RIGID LONG 16" W QTS	
661047		SEAT FRAME RIGID LONG 17" W QTS	
661048		SEAT FRAME RIGID LONG 18" W QTS	
661049		SEAT FRAME RIGID LONG 19" W QTS	
661050		SEAT FRAME RIGID LONG 20" W QTS	

ITEM	NUMBER	DESCRIPTION	QTY
2	481023	S/A LATCH STUD NEW	1
3	550310	LATCH STUD SUPPORT	1
4	201100-QU	1/4-28 NYLOCK NUT THIN	1
5	226190	5/16-18 x 1 3/4 BH C/S SHOULDER	1
6	221191	1/4-28 x 2 1/4 G8 HEX C/S	4
7	500014	TILT BRACKET QTS	2
8	561085	1-1/8" HALF SADDLE 2 HOLE QTS	2
9	561062	1" INSERT PLUG .065 RIBS	2
10	561004	1" SADDLE 1/4" HOLE	2
11	341497	10-32 x .020-.130 RIVNUT GOLD	4
12	561043	1" WASHER 3/8" HOLE	2
13	560223	PIVOT STOP SPACER	2
14	262100-QU	1/4 AN WASHER FLAT	8
15	201110-QU	1/4-28 NYLOCK NUT	4
16	483107	FRAME INSERT PLUG QTS	1
2-5	920220	S/A LATCH ASSEMBLY W/BOLT	
6-8,10,12-16	920017	TILT BRACKET W/HDWR QTS	

CONTRACTURE RIGID SEAT FRAME (QUICKIE TS)

(Contracture Seat Frame is for Contracture Footrest system only)



FRAME TYPE	FRAME DEPTH/ BACK POST LOCATION
SHORT	14-15-16-17
REGULAR	16-17-18-19
LONG	19-20-21-22

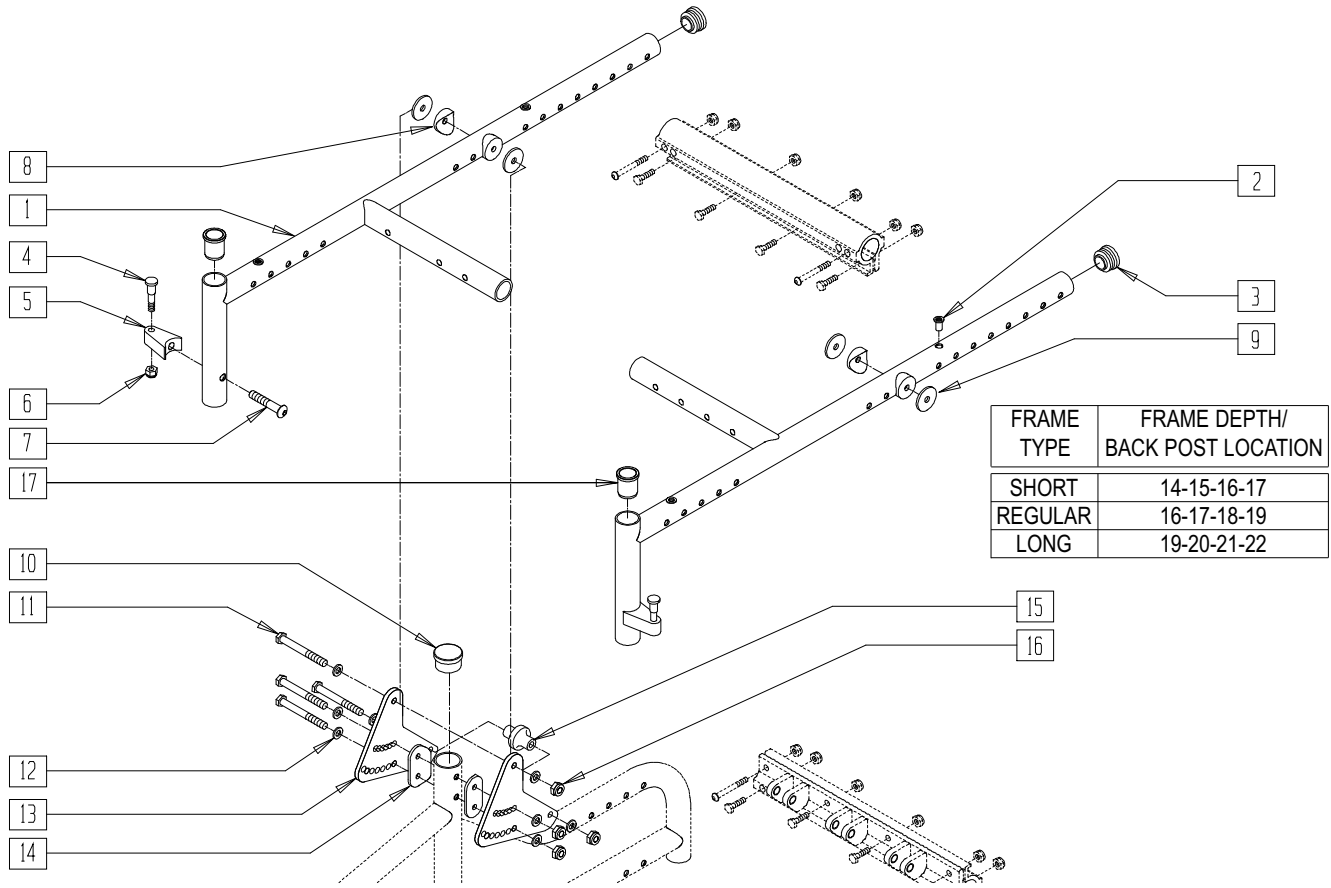
QTS30X10

ITEM	NUMBER	DESCRIPTION	QTY
1,2,7	661370	ST FRM RIGID CNTRCTR SHT 14" W QTS	1
	661371	ST FRM RIGID CNTRCTR SHT 15" W QTS	
	661372	ST FRM RIGID CNTRCTR SHT 16" W QTS	
	661373	ST FRM RIGID CNTRCTR SHT 17" W QTS	
	661374	ST FRM RIGID CNTRCTR SHT 18" W QTS	
	661375	ST FRM RIGID CNTRCTR SHT 19" W QTS	
	661376	ST FRM RIGID CNTRCTR SHT 20" W QTS	
1A,2,7	661377	ST FRM RIGID CNTRCTR REG 14" W QTS	1
	661378	ST FRM RIGID CNTRCTR REG 15" W QTS	
	661379	ST FRM RIGID CNTRCTR REG 16" W QTS	
	661380	ST FRM RIGID CNTRCTR REG 17" W QTS	
	661381	ST FRM RIGID CNTRCTR REG 18" W QTS	
	661382	ST FRM RIGID CNTRCTR REG 19" W QTS	
	661383	ST FRM RIGID CNTRCTR REG 20" W QTS	
1B,2,7	661384	ST FRM RIGID CNTRCTR LNG 14" W QTS	1
	661385	ST FRM RIGID CNTRCTR LNG 15" W QTS	
	661386	ST FRM RIGID CNTRCTR LNG 16" W QTS	
	661387	ST FRM RIGID CNTRCTR LNG 17" W QTS	
	661388	ST FRM RIGID CNTRCTR LNG 18" W QTS	
	661389	ST FRM RIGID CNTRCTR LNG 19" W QTS	
	661390	ST FRM RIGID CNTRCTR LNG 20" W QTS	

ITEM	NUMBER	DESCRIPTION	QTY
2	341497	1" INSERT PLUG .065 RIBS	4
3	221191	1/4-28 x 2 1/4 G8 HEX	4
4	500014	TILT BRACKET QTS	2
5	561085	1-1/8" HALF SADDLE	2
6	561004	1" SADDLE 1/4" HOLE	2
7	341497	10-32 x .020- .130 RIVNUT GOLD	4
8	561043	1" WASHER 3/8" HOLE	2
9	560223	PIVOT STOP SPACER	1
10	262100-QU	1/4 AN WASHER FLAT	8
11	201110-QU	1/4-28 NYLOCK NUT	4
12	483107	FRAME INSERT PLUG QTS	1
3-6, 8-12	920017	TILT BRACKET W/HDWR QTS	

STANDARD GROWING SEAT FRAME (QUICKIE TS)

(Effective 3/25/99, beginning serial number QT-25025)



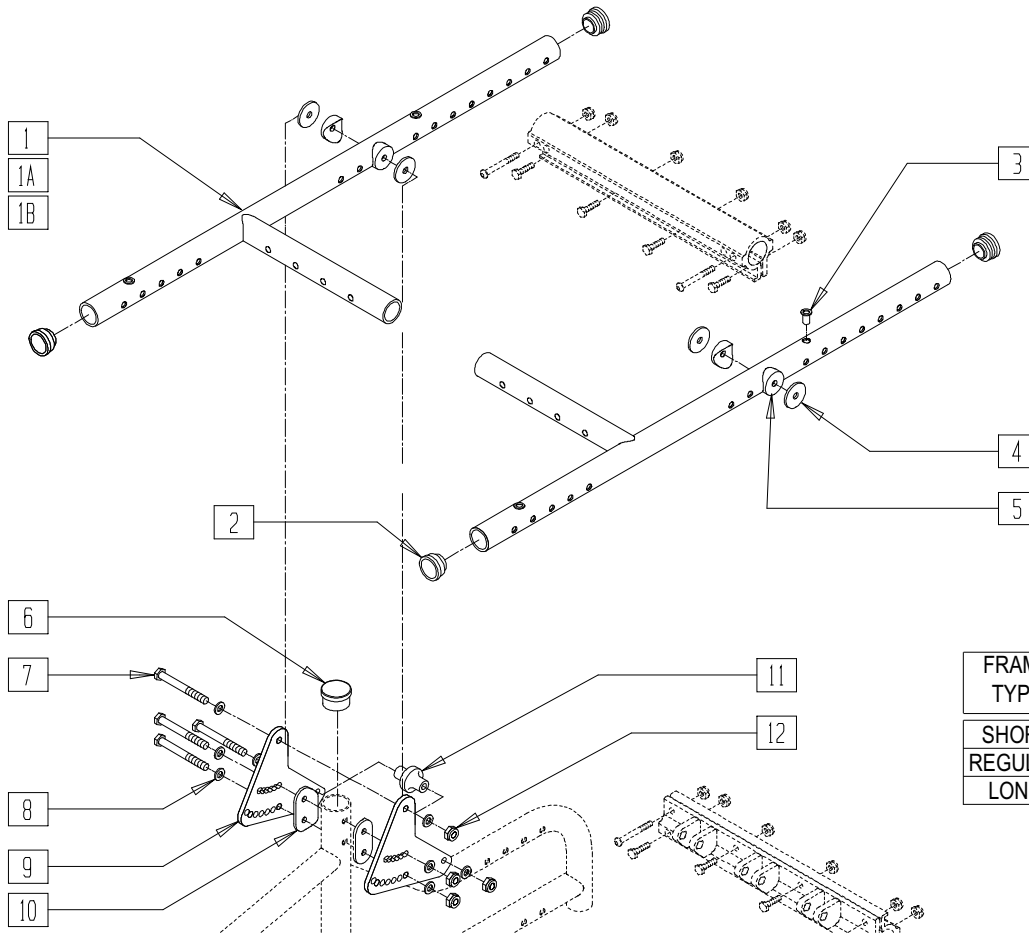
QTS30X12A

ITEM	NUMBER	DESCRIPTION	QTY
2	341497	10-32 x .020-.130 RIVNUT GOLD	2
3	561062	1" INSERT PLUG .065 RIBS	2
4	481023	S/A LATCH STUD NEW	2
5	551310	LATCH STUD SUPPORT BLK	2
6	201100-QU	1/4-28 NYLOCK NUT THIN	8
7	226190	5/16-18 x 1 3/4 BH C/S SHOULDER	16
8	561004	1" SADDLE 1/4" HOLE	2
9	561043	1" WASHER 3/8" HOLE	2
10	483107	FRAME INSERT PLUG QTS	1
11	221191	1/4-28 x 2 1/4 G8 HEX C/S	4
12	262100-QU	1/4 AN WASHER FLAT	8

ITEM	NUMBER	DESCRIPTION	QTY
13	500014	TILT BRACKET QTS	2
14	561085	1-1/8" HALF SADDLE 2 HOLE QTS	2
15	560223	PIVOT STOP SPACER	1
16	201110-QU	1/4-28 NYLOCK NUT	4
17	483087	BUSHING S/A TS	2
4-7	921295	S/A LATCH ASSEMBLY W/BOLT BLK	
8-16	920017	TILT BRACKET W/HDWR QTS	
1,2,6-11,17	661169	SEAT FRAME GROWING SHORT QTS	
	661170	SEAT FRAME GROWING REG QTS	
	661171	SEAT FRAME GROWING LONG QTS	

GROWING CONTRACTURE SEAT FRAME (QUICKIE TS)

(Contracture Seat Frame is for Contracture Footrest system only)



FRAME TYPE	FRAME DEPTH/ BACK POST LOCATION
SHORT	14-15-16-17
REGULAR	16-17-18-19
LONG	19-20-21-22

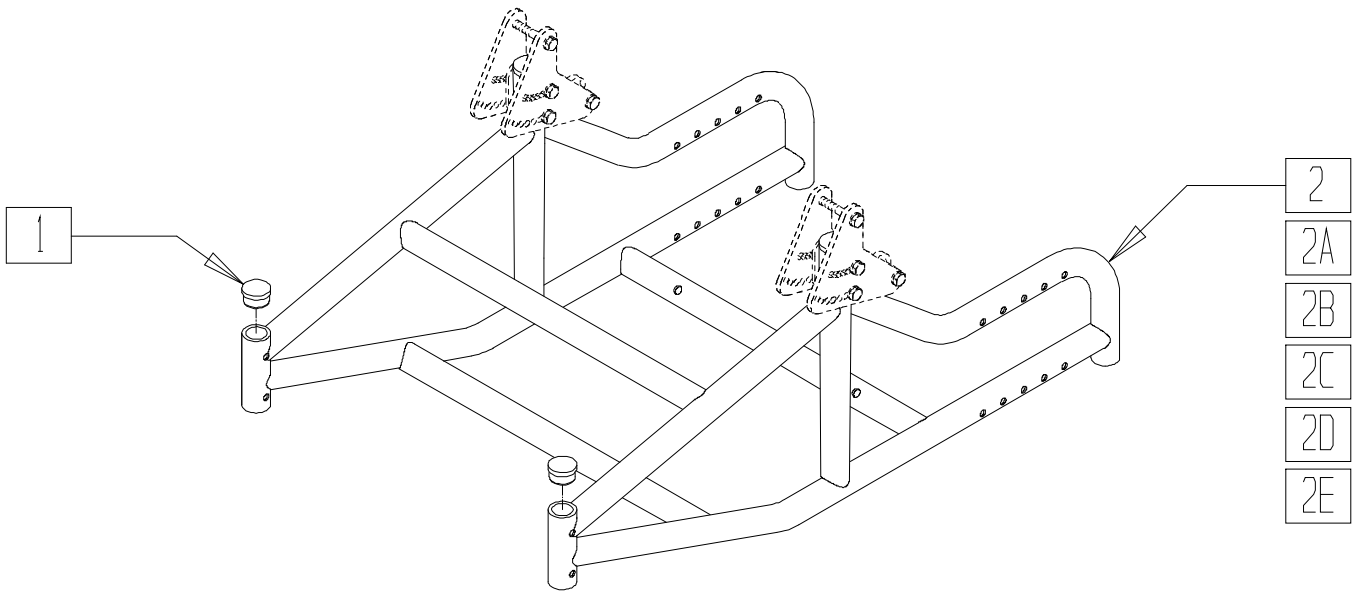
QTS30X14A

ITEM	NUMBER	DESCRIPTION	QTY
1	661400,	SEAT FRM GRWNG CNTRC SHT R QTS	1
	661401	SEAT FRM GRWNG CNTRC SHT L QTS	
1A	661402,	SEAT FRM GRWNG CNTRC REG R QTS	1
	661403	SEAT FRM GRWNG CNTRC REG L QTS	
1B	661404,	SEAT FRM GRWNG CNTRC LNG R QTS	1
	661405	SEAT FRM GRWNG CNTRC LNG L QTS	
2	561062	1" INSERT PLUG .065 RIBS	4
3	341497	10-32 x .020-.130 RIVNUT GOLD	4
4	561043	1" WASHER 3/8" HOLE	2
5	561004	1" SADDLE 1/4" HOLE	2
6	483107	FRAME INSERT PLUG QTS	2

ITEM	NUMBER	DESCRIPTION	QTY
7	221191	1/4-28xX 2 1/4 G8 HEX C/S	4
8	262100-QU	1/4 AN WASHER FLAT	8
9	500014	TILT BRACKET QTS	2
10	561085	1-1/8" HALF SADDLE 2 HOLE QTS	4
11	560223	PIVOT STOP SPACER	1
12	201110-QU	1/4-28 NYLOCK NUT	4
4-12	920017	TILT BRACKET W/HDWR QTS	
1-7	661410	CNTRC GRW SHRT SEAT FRM PNT QTS	
1A-7	661411	CNTRC GRW REG SEAT FRM PNT QTS	
1B-7	661412	CNTRC GRW LNG SEAT FRM PNT QTS	

RIGID BASE FRAME (REGULAR AND FLARED) (QUICKIE TS)

(Effective 3/25/99, beginning serial number QT-25025)



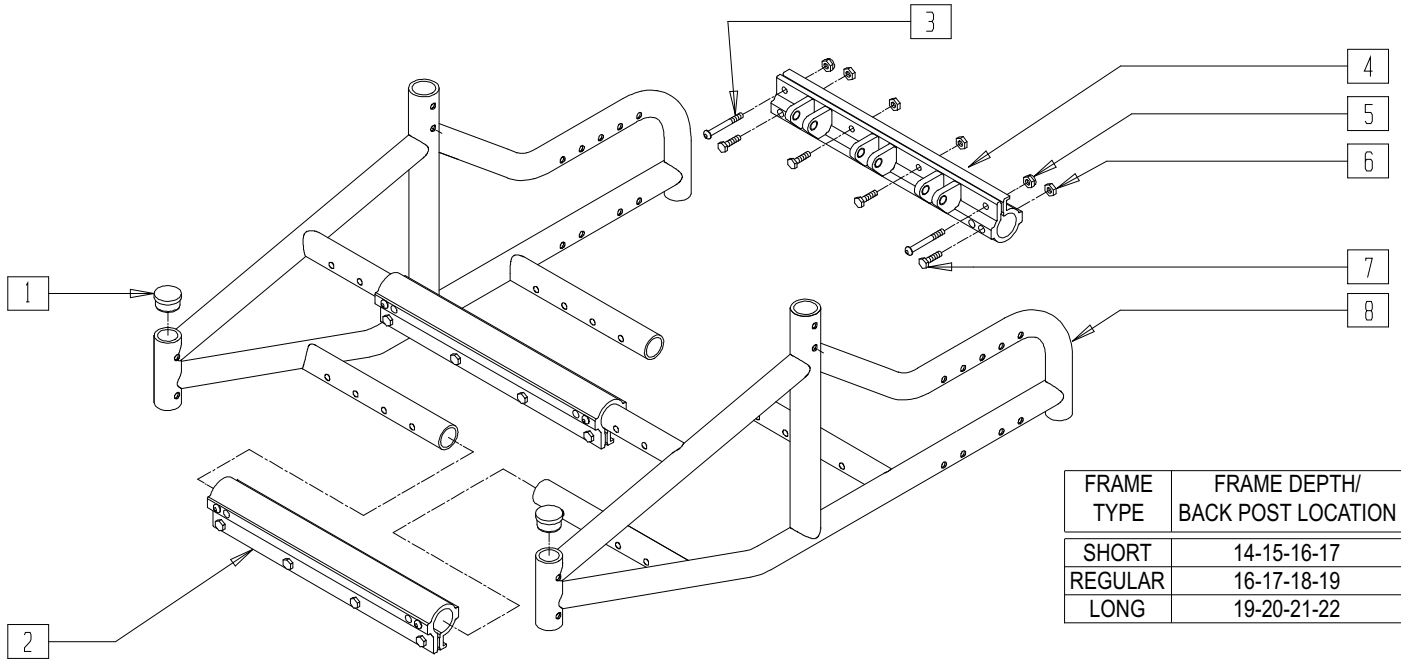
QTS30X11

ITEM	NUMBER	DESCRIPTION	QTY
1	561005	1" INSERT PLUG .125	2
1,2	662124	BASE FRM RIG STRT SHT 14" W QTS	
	662125	BASE FRM RIG STRT SHT 15" W QTS	
	662126	BASE FRM RIG STRT SHT 16" W QTS	
	662127	BASE FRM RIG STRT SHT 17" W QTS	
	662128	BASE FRM RIG STRT SHT 18" W QTS	
	662129	BASE FRM RIG STRT SHT 19" W QTS	
	662130	BASE FRM RIG STRT SHT 20" W QTS	
1,2A	661974	BASE FRM RIG STRT REG 14" W QTS	
	661975	BASE FRM RIG STRT REG 15" W QTS	
	661976	BASE FRM RIG STRT REG 16" W QTS	
	661977	BASE FRM RIG STRT REG 17" W QTS	
	661978	BASE FRM RIG STRT REG 18" W QTS	
	661979	BASE FRM RIG STRT REG 19" W QTS	
	661980	BASE FRM RIG STRT REG 20" W QTS	
1,2B	661984	BASE FRM RIG STRT LNG 14" W QTS	
	661985	BASE FRM RIG STRT LNG 15" W QTS	
	661986	BASE FRM RIG STRT LNG 16" W QTS	
	661987	BASE FRM RIG STRT LNG 17" W QTS	
	661988	BASE FRM RIG STRT LNG 18" W QTS	
	661989	BASE FRM RIG STRT LNG 19" W QTS	
	661990	BASE FRM RIG STRT LNG 20" W QTS	

ITEM	NUMBER	DESCRIPTION	QTY
1,2C	662118	BASE FRM RIG FLRD SHT 15" W QTS	
	662119	BASE FRM RIG FLRD SHT 16" W QTS	
	662120	BASE FRM RIG FLRD SHT 17" W QTS	
	662121	BASE FRM RIG FLRD SHT 18" W QTS	
	662122	BASE FRM RIG FLRD SHT 19" W QTS	
	662123	BASE FRM RIG FLRD SHT 20" W QTS	
	1,2D	662100	
662101		BASE FRM RIG FLRD REG 15" W QTS	
662102		BASE FRM RIG FLRD REG 16" W QTS	
662103		BASE FRM RIG FLRD REG 17" W QTS	
662104		BASE FRM RIG FLRD REG 18" W QTS	
662105		BASE FRM RIG FLRD REG 19" W QTS	
1,2E	662110	BASE FRM RIG FLRD LNG 14" W QTS	
	662111	BASE FRM RIG FLRD LNG 15" W QTS	
	662112	BASE FRM RIG FLRD LNG 16" W QTS	
	662113	BASE FRM RIG FLRD LNG 17" W QTS	
	662114	BASE FRM RIG FLRD LNG 18" W QTS	
	662115	BASE FRM RIG FLRD LNG 19" W QTS	
	662116	BASE FRM RIG FLRD LNG 20" W QTS	

GROWING FRAME (REGULAR AND FLARED) (QUICKIE TS)

(Effective 3/25/99, beginning serial number QT-25025)

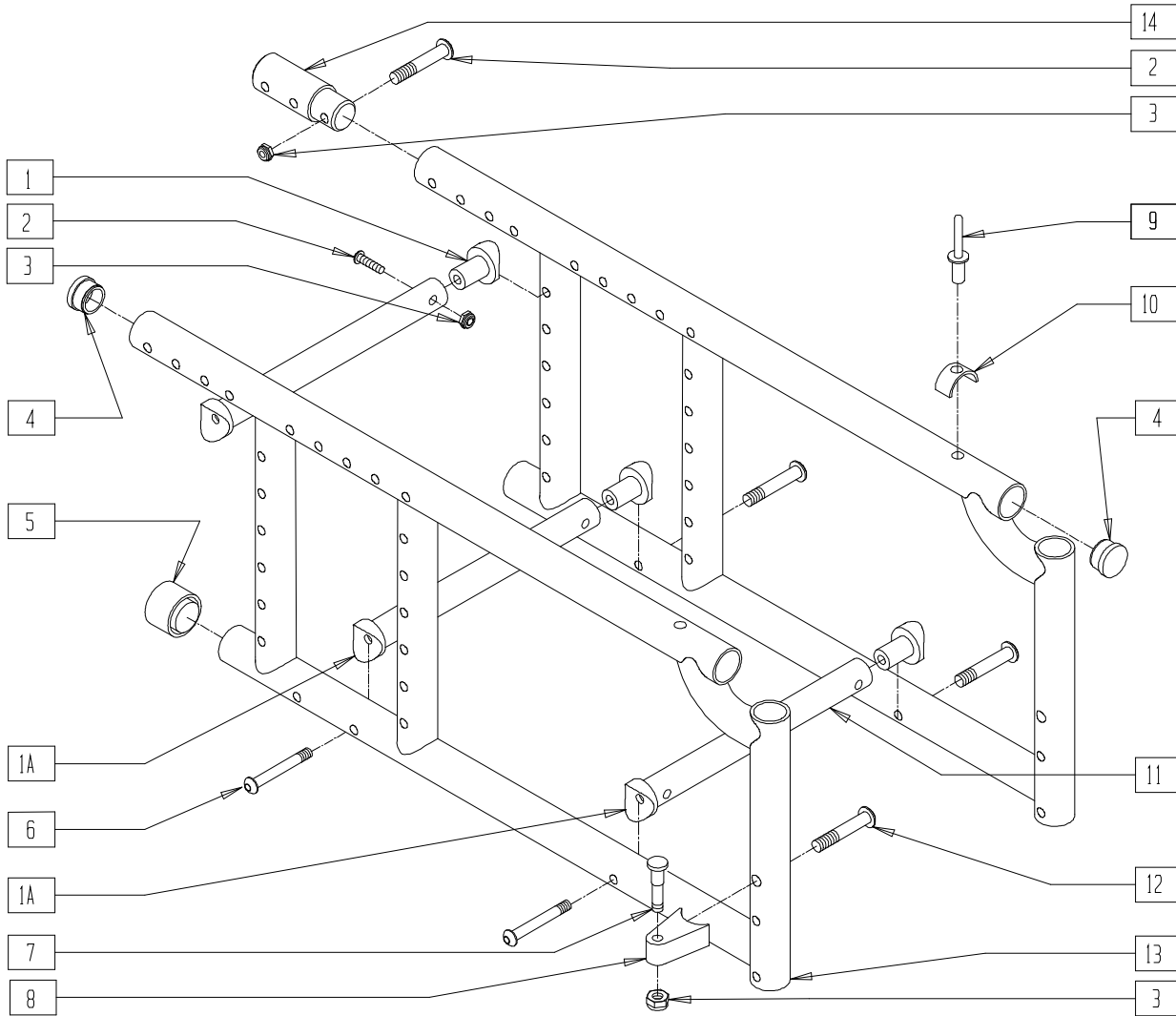


QTS30X13

ITEM	NUMBER	DESCRIPTION	QTY
1	561005	1" INSERT PLUG .125	2
2	550393	FRAME CLAMP TUBE QTS	2
3	226198	5/16-18 x 2 BH C/S SHT THREAD	8
4	540144	FRAME CLAMP LOWER WLDMNT QTS	1
5	202102	5/16-18 NYLOCK NUT THIN	8
6	201112	1/4-28 NUT THIN	16
7	221100	1/4-28 x 3/4 HEX C/S	16

ITEM	NUMBER	DESCRIPTION	QTY
1-8	661994	BASE FRAME GRWNG STRT SHT QTS	
	661995	BASE FRAME GRWNG STRT REG QTS	
	661996	BASE FRAME GRWNG STRT LNG QTS	
	661999	BASE FRAME GRWNG FLRD SHT QTS	
	661997	BASE FRAME GRWNG FLRD REG QTS	
	661998	BASE FRAME GRWNG FLRD LNG QTS	

FRAME (ZIPPIE)
(Effective 11/13/96)



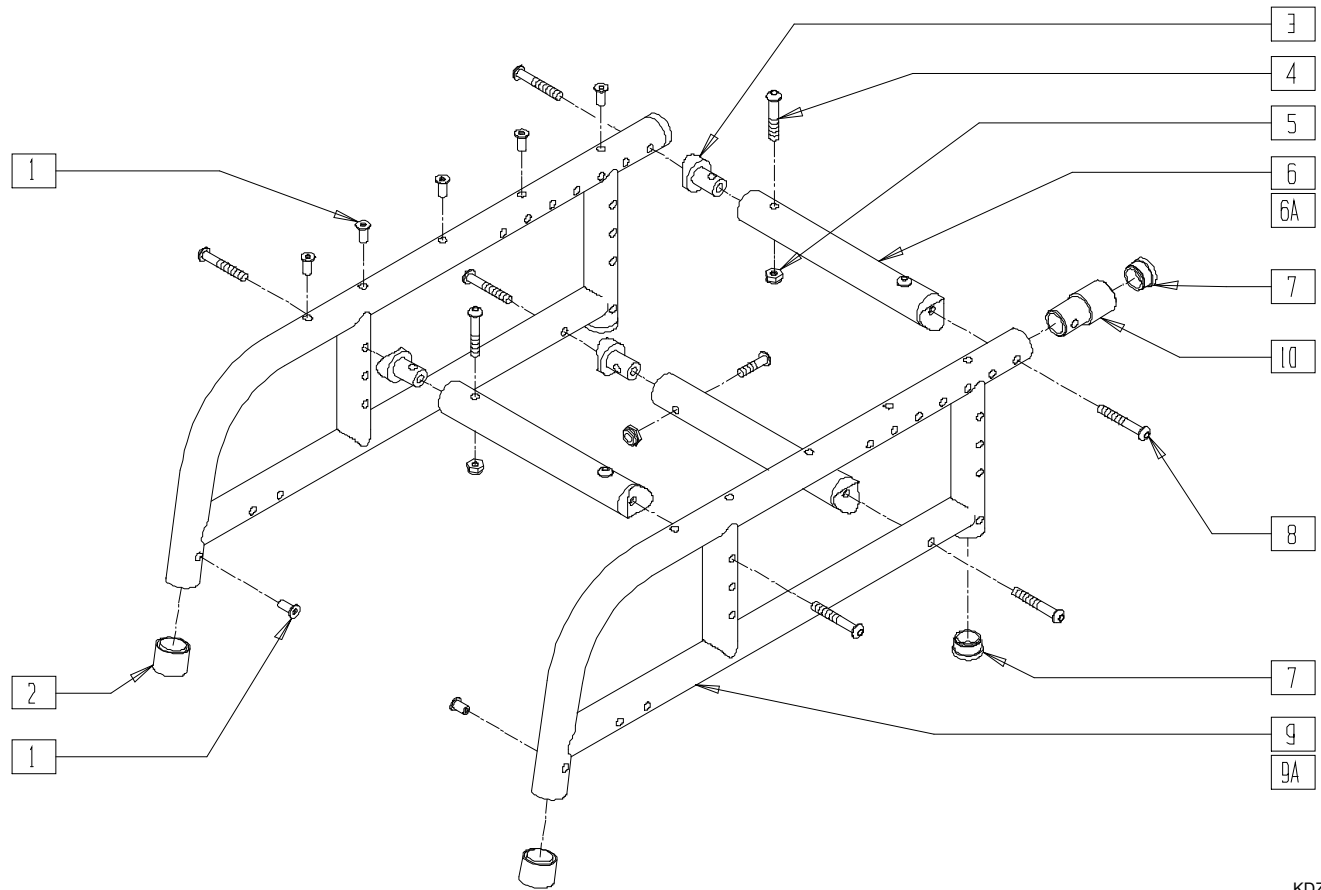
Z00X11A

ITEM	NUMBER	DESCRIPTION	QTY
1	483173	STRUT SADDLE 1 1/8 ZP	2
1A	483161	STRUT SADDLE S525	4-6
2	226129	1/4-28 x 1 1/4 BH C/S	6
3	201100-QU	1/4-28 NYLOCK NUT THIN	8
4	561002	1" INSERT PLUG .083	4
5	561014	1" MED CAP	2
6	226267	1/4-28 X 1 5/8 BH C/S W/PATCH	6
7	481023	S/A LATCH STUD NEW	2
8	551310	LATCH STUD SUPPORT BLK	2
9	240108	RIVET POP SSD64SSBS	2
10	550489	SEAT STOP	2

ITEM	NUMBER	DESCRIPTION	QTY
11	522802-522808	STRUT TUBE 10"-16" ZP/KZ (TUBE ONLY)	3
6,11	675012-675018	ZP/KIDZ GROWTH TUBE KIT 10"-16" (DOES NOT INCLUDE SADDLES)	1
12	226190	5/16-18 x 1 3/4 BH C/S SHLDR	2
14**	483040	REAR FRAME EXT .083 15"-16" ZP	2
1,1A,2-6	*920394	STRUT TUBE HDWR KIT ZP/ 1 1/8" (11"-12")	
1A,2-6	*920343	STRUT TUBE HDWR KIT ZP/KIDZ (13"-16")	
2,3,14	920318	ZP REAR FRAME EXT 2" W/HDWR	
4,5,9,10,13	920730	SIDE FRAME ASSEMBLY ZP 1 1/8" (SPECIFY COLOR)	
3,7,8	881697	S/A LATCH BLOCK ASSM BLK	
3,7,8,12	921295	S/A LATCH ASSEMBLY W/BOLT BLK	

*NOTE: HDWR ONLY, MUST ORDER CORRECT SIZE STRUT TUBE SEPARATELY.
**NOTE: REAR FRAME EXTENSION USED FOR 15" 7 16" SEAT DEPTHS.

FRAME (QUICKIE KIDZ)



KDZ00X02

ITEM	NUMBER	DESCRIPTION	QTY
1	341497	10-32 x .020-.130 RIVNUT GOLD	10-12
2	561082	1" TUBE END BUSHING THIN	2
3	483161	STRUT SADDLE S525	6
4	226129	1/4-28 x 1 1/4 BH C/S	6
5	201100-QU	1/4-28 NYLOCK NUT THIN	6
6	522802-522806	STRUT TUBE ZP/KZ 10"-14"	3
6A	675012-675016	ZP/KIDZ GROWTH TUBE KIT 10"-14"	1

ITEM	NUMBER	DESCRIPTION	QTY
7	561002	1" INSERT PLUG .083	4
8	226267	1/4-28 X 1 5/8 BH C/S W/PATCH	6
10*	483059	FRAME EXT WHEEL LOCKS KIDZ	2
1,2,7,9	620102	S/F PNTD KIDZ REG 8"-10" DEPTH (SPECIFY COLOR)	
1,2,7,9A	620103	S/F PNTD KIDZ LONG 11"-14" DEPTH (SPECIFY COLOR)	
3-5,8	920343	STRUT TUBE HDWR KIT ZP/KIDZ	

*NOTE: ORDER ITEM 10 FOR CHAIRS WITH 16" WHEELS.
PLEASE SEE PAGES 5.8 & 5.9 FOR STANDARD AND REVERS FRAME CONVERSION KITS.

