

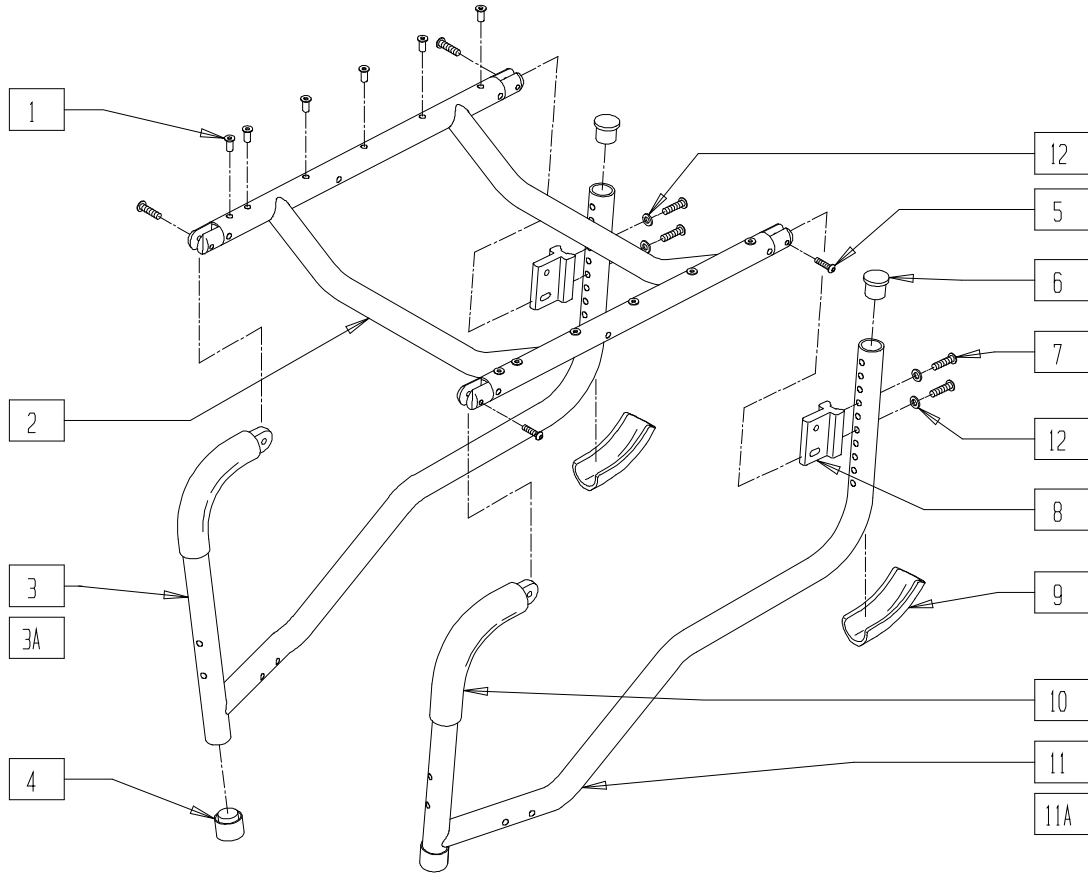
Rigid Frames

IN THIS SECTION

Frame (Quickie GPS) (Disc.).....	3.1	Frame (Quickie ST/DT).....	3.6
Frame (Quickie GPS 75°) (Disc.)	3.2	Frame (Quickie <i>TNT</i>) (Disc.).....	3.7
Frame (Quickie GPS Titanium 75°) (Disc.).....	3.3	Frame (Quickie Triumph) (Disc.)	3.7
Fixed Frame (Quickie R2)	3.4	Frame (Quickie XTR).....	3.8
Adjustable Frame (Quickie R2).....	3.5	Shock Absorber (Quickie XTR).....	3.8
Frame (Quickie ST/DT) (Disc.).....	3.6		

FRAME (QUICKIE GPS)

(Discontinued 2/01 - Parts only)

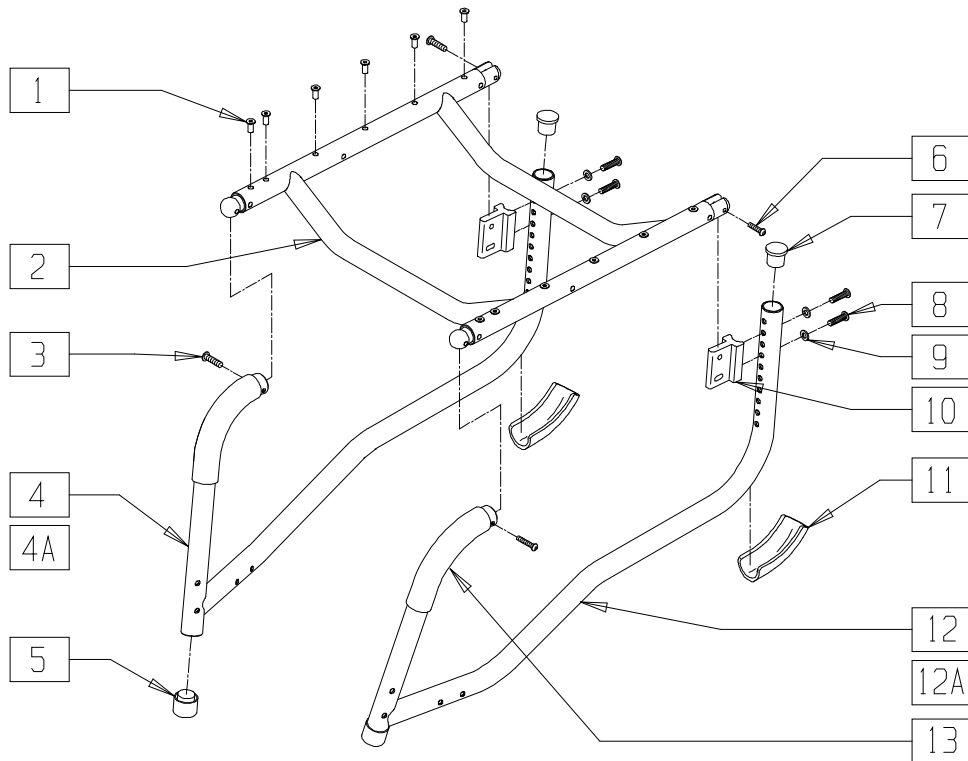


GBL00X01

ITEM	NUMBER	DESCRIPTION	QTY
1	341497	10-32 x .020-.130 RIVNUT GOLD	12
4	561082	1" TUBE END BUSHING THIN	2
5	226100	1/4-28 x 3/4 BH C/S	4
6	561002	1" INSERT PLUG .083	2
7	226130	1/4-28 x 1 1/2 BH C/S	4
8	550214	SEAT ADJ BRACKET	2
9	560413	REAR FRAME BUMPER GPS	2
10	560611	7 x .940 x .125 FOAM GRIP	2
12	262130	6mm WASHER WAVE	4
1,2,5	661020	SEAT FRAME PNTD 85° GPS (SPECIFY DIMENSIONS AND COLOR)	1
3,4,6, 9,10	600004- 600008	S/F REG PNTD R 85° GPS 14"-18" (SPECIFY COLOR)	1

ITEM	NUMBER	DESCRIPTION	QTY
3A,4,6, 9,10	600014- 600018	S/F TALL PNTD R 85° GPS 14"-18" (SPECIFY COLOR)	1
4,6,9, 10,11	600104- 600108	S/F REG PNTD L 85° GPS 14"-18" (SPECIFY COLOR)	1
4,6,9, 10,11A	600114- 600118	S/F TALL PNTD L 85° GPS 14"-18" (SPECIFY COLOR)	1
1-12	600054- 600058	FRAME PNTD REG 85° GPS 14"-18" (SPECIFY DIMENSIONS AND COLOR)	
1,2,3A, 4-10, 11A,12	600064- 600068	FRAME PNTD TALL 85° GPS 14"-18" (SPECIFY DIMENSIONS AND COLOR)	

FRAME (QUICKIE GPS 75°)
(Discontinued 2/01 - Parts only)



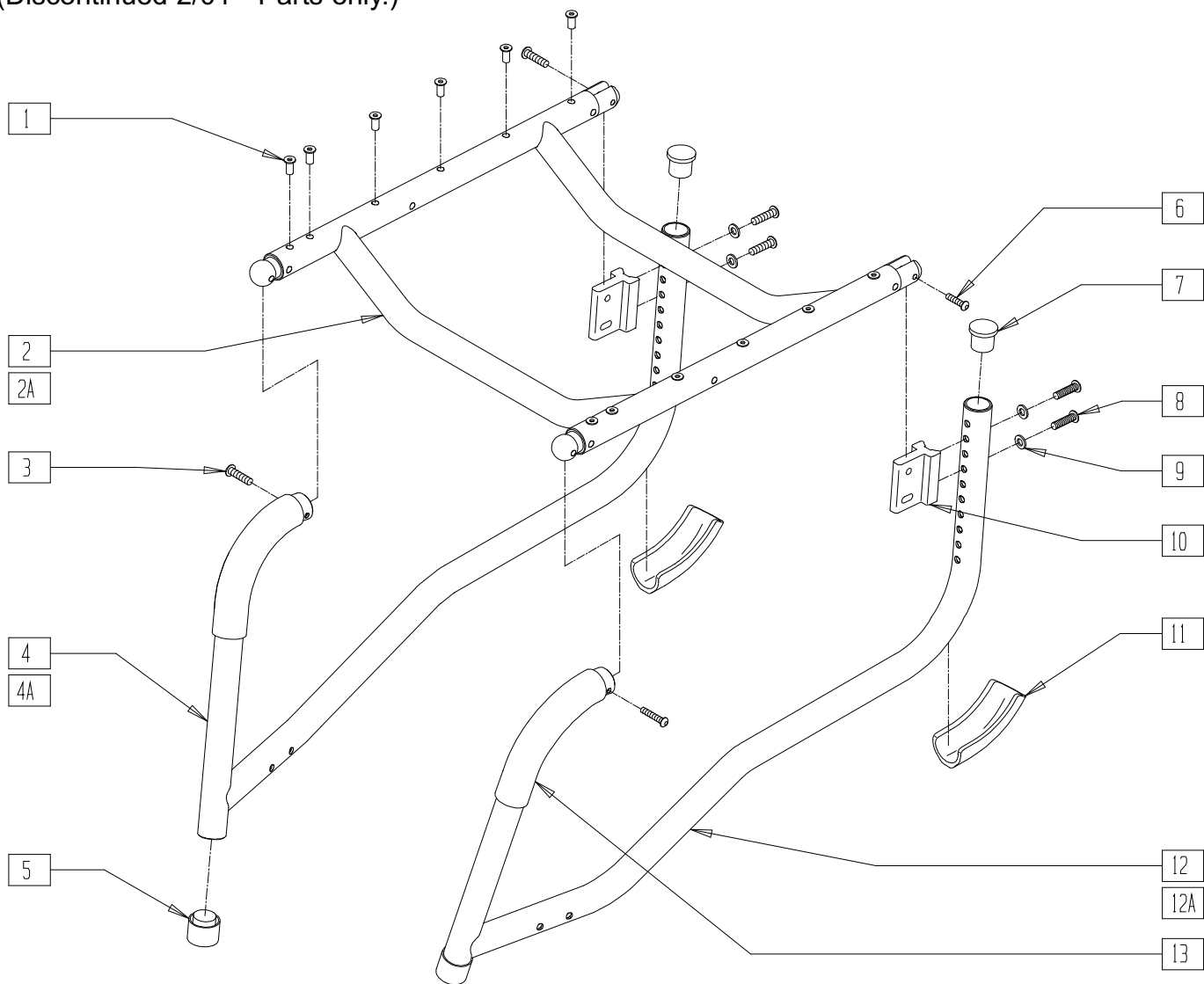
GBL00X25

ITEM	NUMBER	DESCRIPTION	QTY
1	341497	10-32 x .020-.130 RIVNUT GOLD	12
2	661021	SEAT FRAME PNTD 75° GPS (SPECIFY DIMENSIONS AND COLOR)	1
3	226110	1/4-28 x 1 BH C/S	2
5	561082	1" TUBE END BUSHING THIN	2
6	226100	1/4-28 x 3/4 BH C/S	2
7	561002	1" INSERT PLUG .083	2
8	226130	1/4-28 x 1 1/2 BH C/S	4
9	262130	6mm WASHER WAVE	4
10	550214	SEAT ADJ BRACKET	2
11	560413	REAR FRAME BUMPER GPS	2
13	560611	7 x .940 x .125 FOAM GRIP	2

ITEM	NUMBER	DESCRIPTION	QTY
4,5,7, 11,13	600024- 600028	S/F REG PNTD 14"-18" 75° R GPS (SPECIFY COLOR)	
4A,5,7, 11,13	600034- 600038	S/F TALL PNTD 14"-18" 75° R GPS (SPECIFY COLOR)	
5,7,11, 12,13	600124- 600128	S/F REG PNTD 14"-18" 75° L GPS (SPECIFY COLOR)	
5,7,11, 12A,13	600134- 600138	S/F TALL PNTD 14"-18" 75° L GPS (SPECIFY COLOR)	
1-13	600074- 600078	FRAME PNTD REG 14"-18" 75° GPS (SPECIFY COLOR)	
1-11, 12A,13	600084- 600088	FRAME PNTD TALL 14"-18" 75° GPS (SPECIFY COLOR)	

FRAME (QUICKIE GPS TITANIUM 75°)

(Discontinued 2/01 - Parts only.)

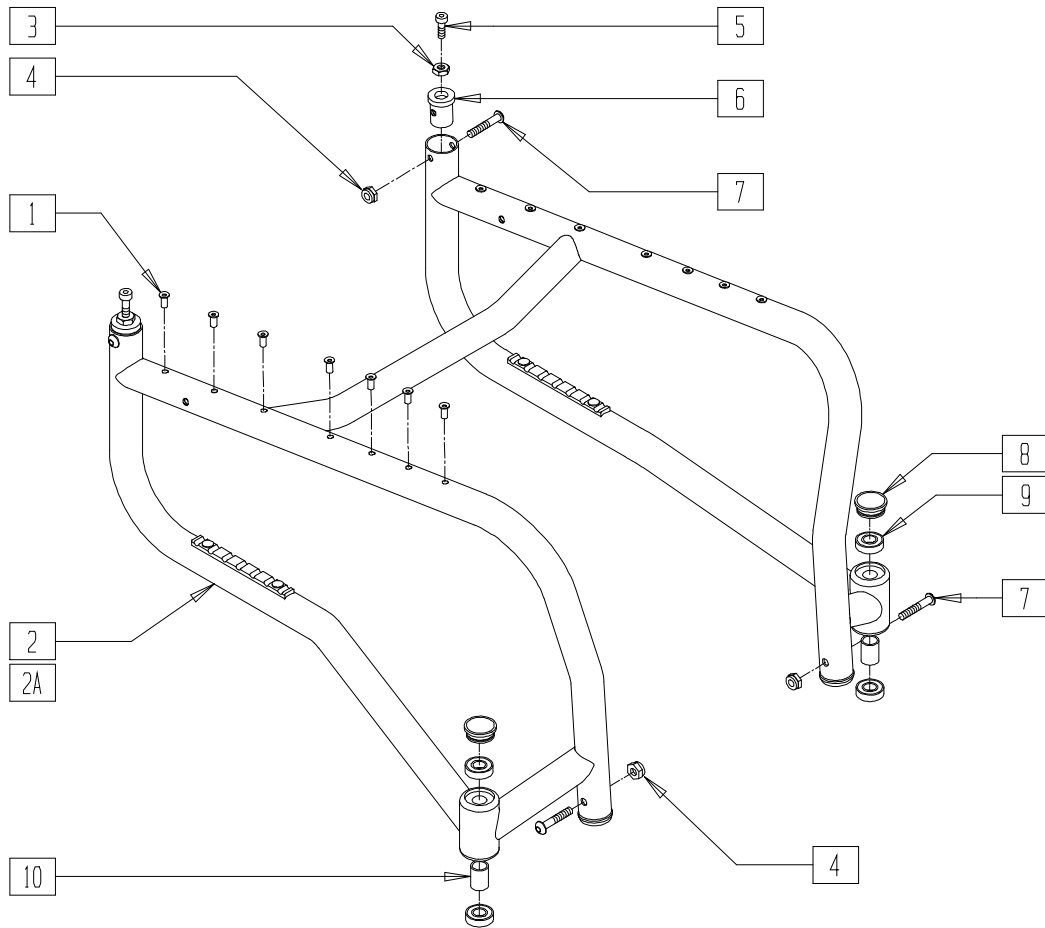


GBL00X26

ITEM	NUMBER	DESCRIPTION	QTY
1	341497	10-32 x .020-.130 RIVNUT GOLD	12
2	661022	SEAT FRAME PNTD 75° GPS Ti (SPECIFY DIMENSIONS AND COLOR)	1
2A	661024- 661028	SEAT FRAME Ti 14"-18" GPS (SPECIFY WIDTH)	1
3	226110	1/4-28 x 1 BH C/S	2
5	561018	1" TUBE END BUSHING THICK	2
6	226100	1/4-28 x 3/4 BH C/S	2
7	560995	1" INSERT PLUG .036	2
8	226130	1/4-28 x 1 1/2 BH C/S	4
9	262130	6mm WASHER WAVE	4
10	550214	SEAT ADJ BRACKET	2
11	560413	REAR FRAME BUMPER GPS	2
13	560611	7 x .940 x .125 FOAM GRIP	2
4,5,7, 11,13	600144- 600148	S/F REG Ti 14"-18" 75° R GPS	1

ITEM	NUMBER	DESCRIPTION	QTY
4A,5, 7,11,13	600154- 600158	S/F TALL Ti 14"-18" 75° R GPS	1
5,7,11, 12,13	600244- 600248	S/F REG Ti 14"-18" 75° L GPS	
5,7,11, 12A,13	600254- 600258	S/F TALL Ti 14"-18" 75° L GPS	
1-13	600174- 600178	FRAME Ti/AL REG 14"-18" 75° GPS	
1-3,4A, 5-13	600184- 600188	FRAME Ti/AL TALL 14"-18" 75° GPS	
1,2A, 3-13	600094- 600098	FRAME Ti REG 14"-18" 75° GPS	
1,2A,3, 4A,5-13	600194- 600198	FRAME Ti TALL 14"-18" 75° GPS	

FIXED FRAME (QUICKIE R2)

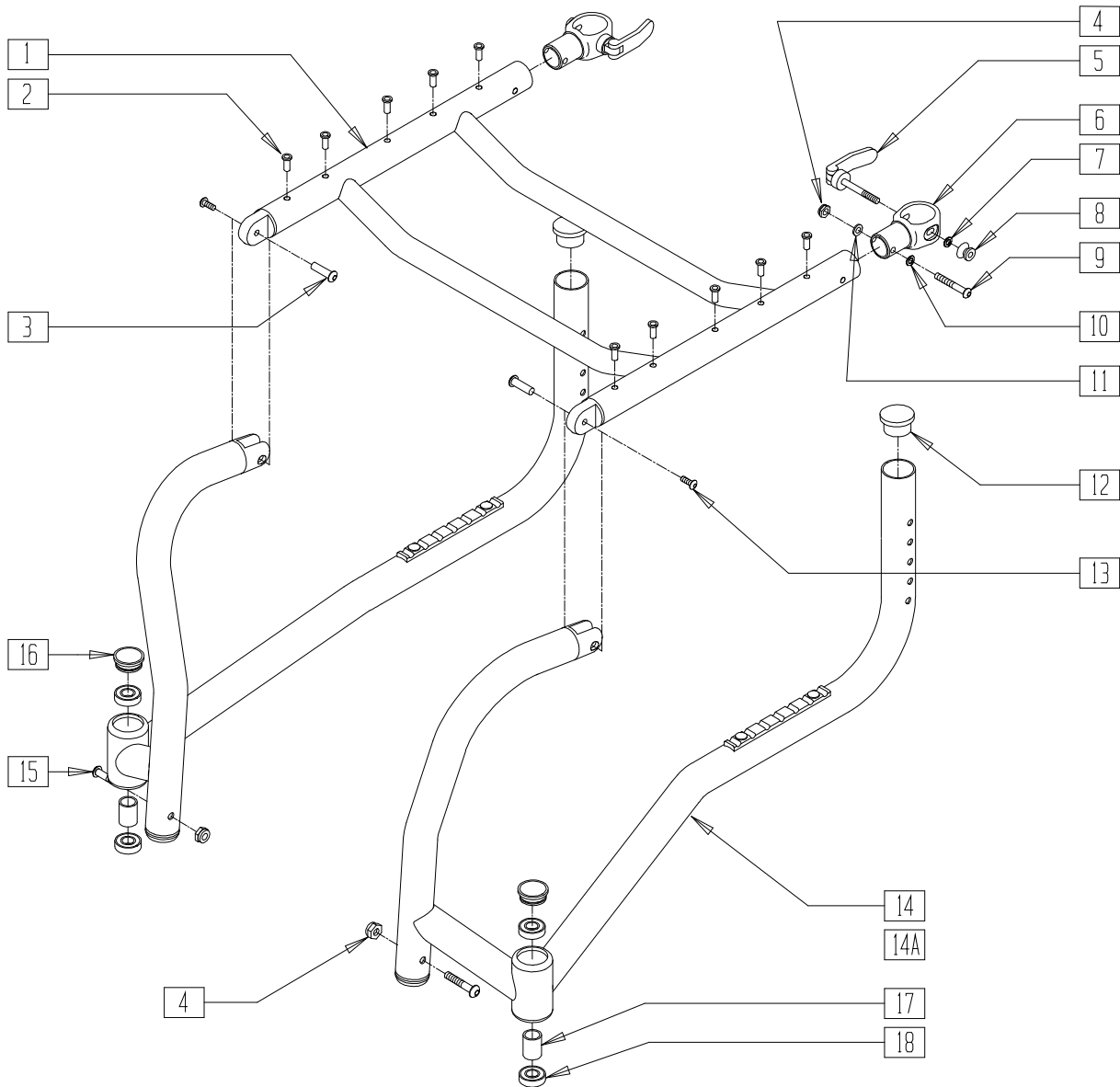


R200X01

ITEM	NUMBER	DESCRIPTION	QTY
1	341497	10-32 x .020-.130 RIVNUT GOLD	8-14
3	201121	1/4-20 NUT THIN	2
4	201100-QU	1/4-28 NYLOCK NUT THIN	4
5	226058	1/4-20 x 3/4 SOC C/S	2
6	483251	BACKREST REL PLUG A/C	2
7	226130	1/4-28 x 1 1/2 BH C/S	4
8	561070	CASTER CAP PLASTIC	2
	920028	CASTER CAP PLASTIC (PR)	1

ITEM	NUMBER	DESCRIPTION	QTY
9	349500	1 1/8 x 1/2 BEARING	4
10	521626	CASTER STEM SPACER R2	2
1-10	602700- 602766	FRAME PTD RIGID R2 2" SQZ (14" x 12" - 20" x 18")	
1,2A,3-10	602800- 602866	FRAME PTD RIGID R2 3" SQZ (14" x 12" - 20" x 18")	

ADJUSTABLE FRAME (QUICKIE R2)

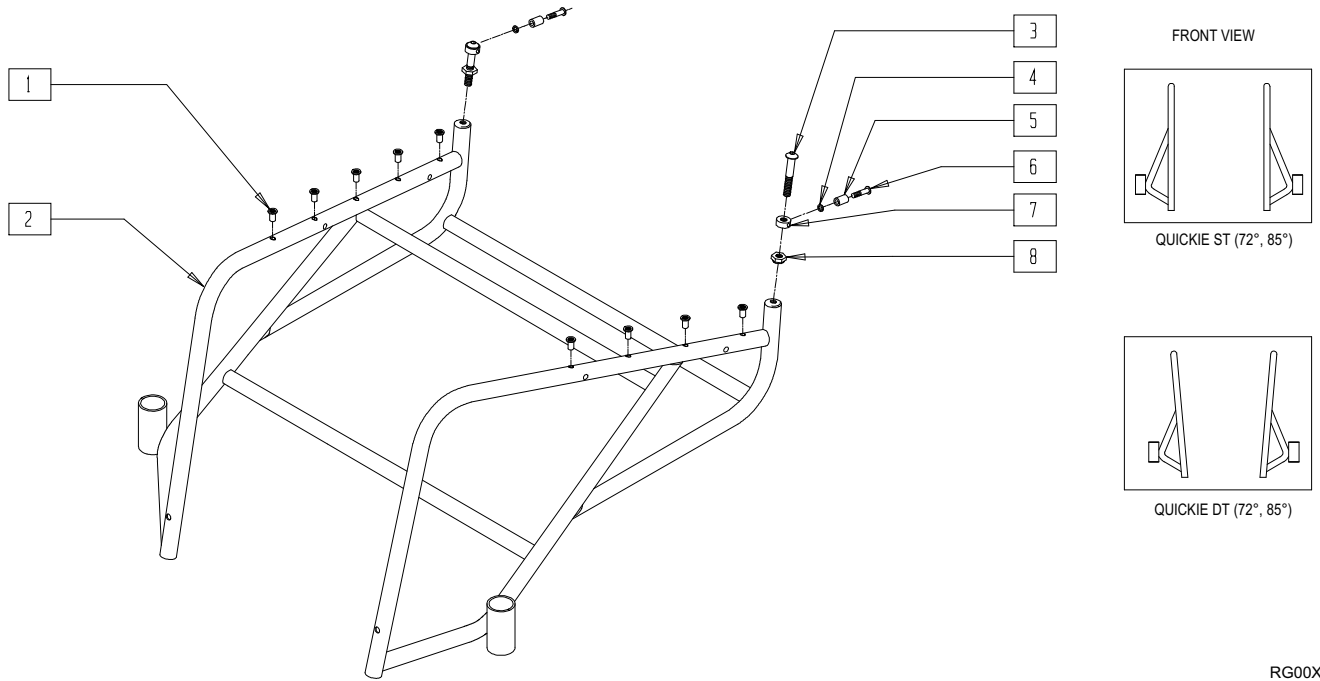


R200X04

ITEM	NUMBER	DESCRIPTION	QTY
2	341497	10-32 x .020-.130 RIVNUT GOLD	10-14
3	221213	10-32 x 7/8" HEX SEX BOLT QTNT	2
4	201100-QU	1/4-28 NYLOCK NUT THIN	2
6	887256	SQUEEZE CLAMP W/LINER R2	2
9	226140	1/4-28 x 1 3/4 BH C/S	2
10	262130	6mm WASHER WAVE	2
11	262100-QU	1/4" AN WASHER FLAT	2
12	560110	END PLUG BACKREST QTNT	2
13	226051	10-32 x 3/8" BH C/S	2
5,7,8	881934	QR CLAMP ASSM W/WASHER BLK	
15	226130	1/4-28 x 1 1/2 BH C/S	2

ITEM	NUMBER	DESCRIPTION	QTY
16	561070	CASTER CAP PLASTIC	2
	920028	CASTER CAP PLASTIC (PR)	
17	521626	CASTER STEM SPACER R2	2
18	349500	1 1/8 x 1/2 BEARING	4
4-11	881977	SQUEEZE CLAMP ASSY	
1-11,13	660600-660666	SEAT FRAME PNTD R2 (14" x 12" - 20" x 18")	
12,14,15,17-20	603210, 603211	FRM PTD ADJ R2 1 O/S SPC DIM (EA) (14" WIDE CHAIRS)	
12,14A,15,17-20	603212, 603213	FRM PTD ADJ R2 2 O/S SPC DIM (EA) (15"-20" WIDE CHAIRS)	

FRAME (QUICKIE ST/DT) (Discontinued - parts only)

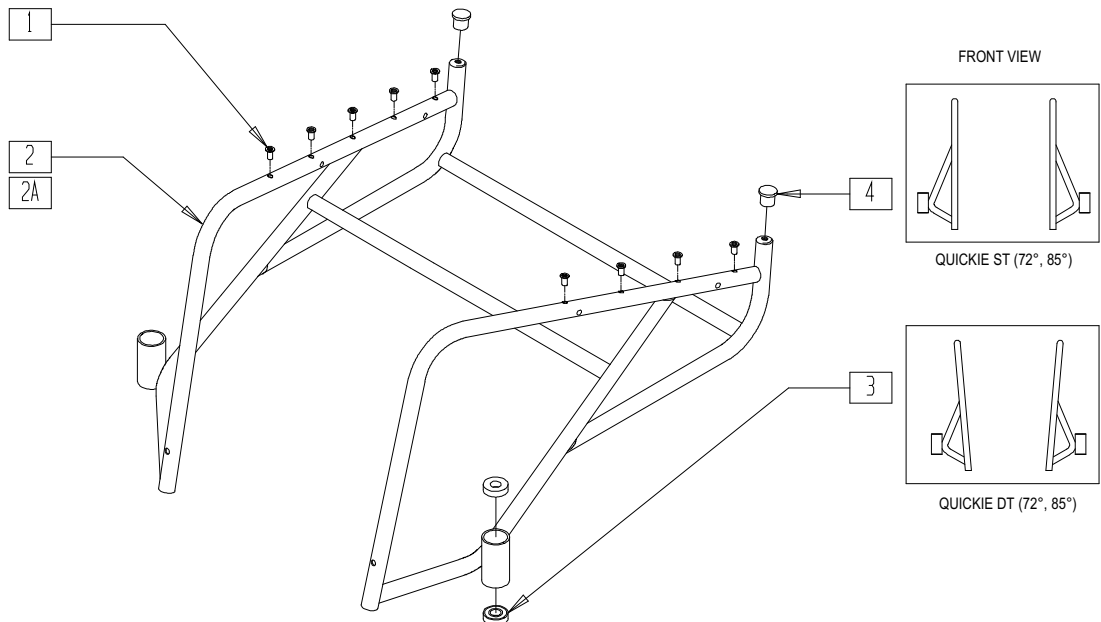


RG00X2A

ITEM	NUMBER	DESCRIPTION	QTY
1	341497	10-32 x .020-.130 RIVNUT GOLD	10
2	523200	RIGID FRAME (SPECIFY COLOR AND DIMENSIONS)	1
3	226196	5/16-18 x 2 BH C/S ZN	2
4	261524	#10 WASHER LOCK SS	2

ITEM	NUMBER	DESCRIPTION	QTY
5	481310	BACK LOCK SPACER	2
6	281124	10-32 x 3/4 BH C/S SS	2
7	920112	BACKLOCK COLLAR	2
8	201216	5/16-18 JAM NUT SS	2
3-8	880833	FRAME HARDWARE KIT ONE/DT	

FRAME (QUICKIE ST/DT)



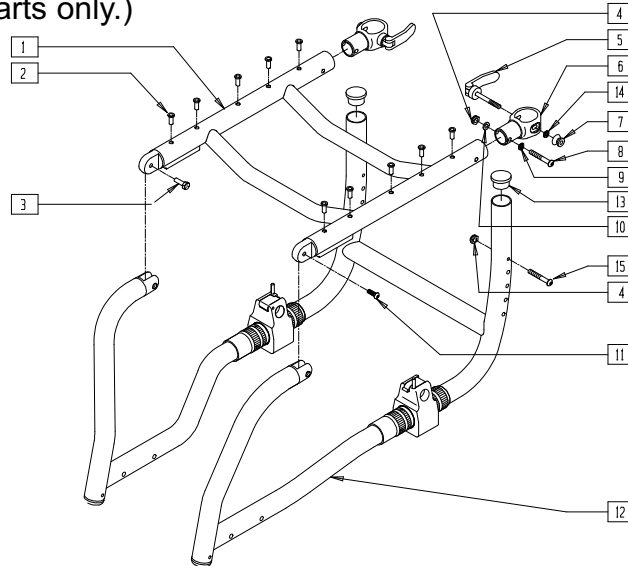
RG00X2B

ITEM	NUMBER	DESCRIPTION	QTY
1	341497	10-32 x .020-.130 RIVNUT GOLD	10
2	605100- 605111	FRAME ASSEMBLY ST (SPECIFY WIDTH, SLING DEPTH)	1

ITEM	NUMBER	DESCRIPTION	QTY
2A	605112- 605123	FRAME ASSEMBLY DT (SPECIFY WIDTH, SLING DEPTH)	1
3	349500	1 1/8 x 1/2 BEARING	4
4	560761	3/4 INSERT PLUG .049 (18GA)	2

FRAME (QUICKIE TNT)

(Discontinued 2/01-Parts only.)



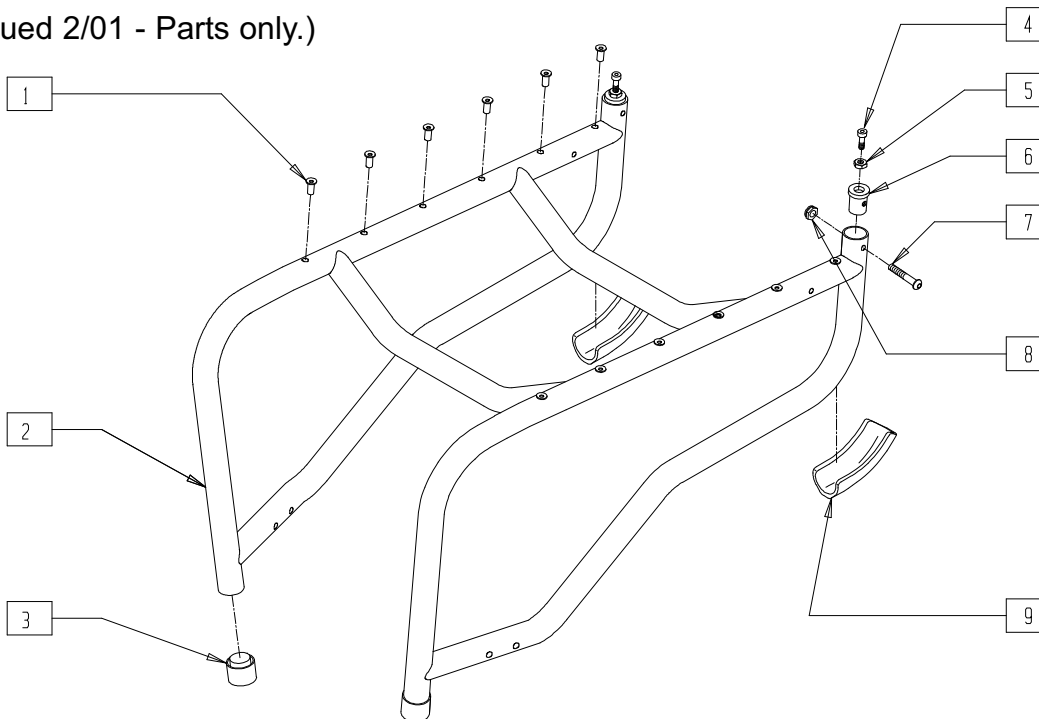
TNT00X01

ITEM	NUMBER	DESCRIPTION	QTY
2	341497	10-32 x .020-.130 RIVNUT GOLD	10-12
3	221213	10-32 x 7/8" HEX SEX BOLT Q7NT	2
4	201100-QU	1/4-28 NYLOCK NUT THIN	4
5,7,14	881934	Q-RELSE CLAMP ASSEMBLY Q7NT	
6	887255	SQUEEZE CLMP W/LINER BLK NEW	2
8	226140	1/4-28 x 1 3/4 BH C/S	2
9	262130	6mm WASHER WAVE	2
10	262120	1/4 AN WASHER FLAT	2

ITEM	NUMBER	DESCRIPTION	QTY
11	226051	10-32 x 3/8" BH C/S	2
12	660450-660474	RR FRAME W/FRONT Q7NT (BLACK ONLY)	1
13	560110	END PLUG BACKREST Q7NT	2
14	262120	1/4" SAE WASHER	2
15	226130	1/4-28 x 1 1/2 BH C/S	2
1,2,5-7,9-11	660551-660575	SEAT FRAME QTNT (BLACK ONLY)	

FRAME (QUICKIE TRIUMPH)

(Discontinued 2/01 - Parts only.)

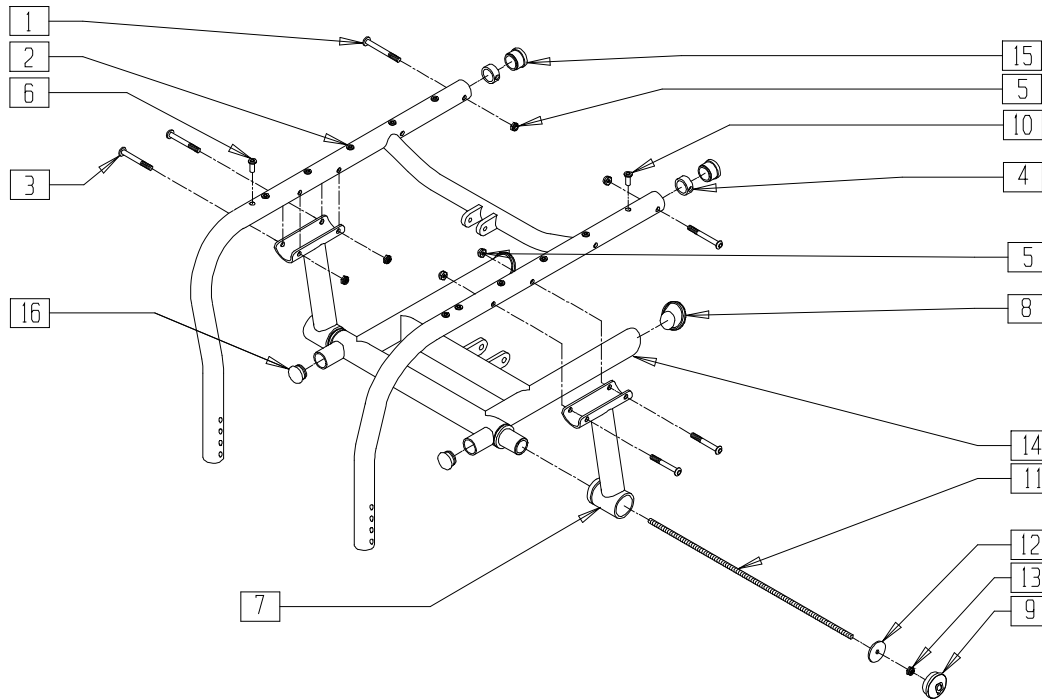


COMP0X01

ITEM	NUMBER	DESCRIPTION	QTY
1	341497	10-32 x .020-.130 RIVNUT GOLD	8-12
3	561082	1" TUBE END BUSHING THIN	2
4	226058	1/4-20 x 3/4 SOC C/S	2
5	201121	1/4-20 NUT THIN	2
6	483010	Q1/GP BACK REL ANGLE PLUG	2

ITEM	NUMBER	DESCRIPTION	QTY
7	226130	1/4-28 x 1 1/2 BH C/S	2
8	201100-QU	1/4-28 NYLOCK NUT THIN	2
9	560413	REAR FRAME BUMPER GPS	2
1-9	600040	FRAME TRIUMPH PAINTED (SPECIFY DIMENSIONS AND COLOR)	

FRAME (QUICKIE XTR)



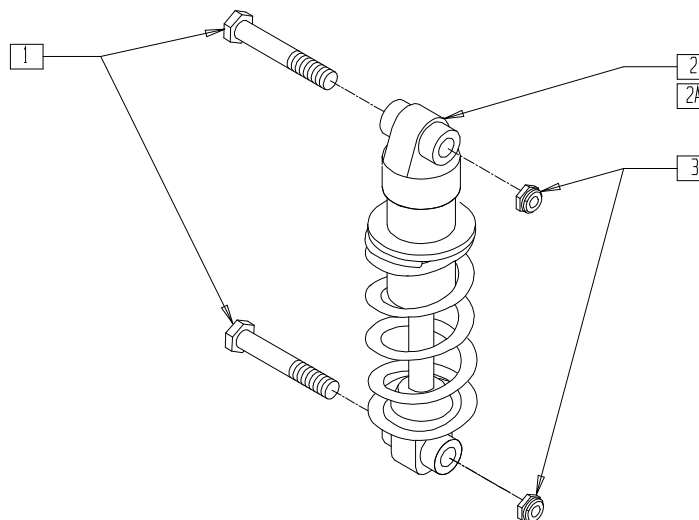
SUS00X20C

ITEM	NUMBER	DESCRIPTION	QTY
1	226147	1/4-28 x 1.85 BH C/S BLK ZN	2
3	227140	1/4-28 x 1 3/4 BH C/S BLK ZN	4
4	483241	TUBE PLUG ALUM .865 OD XTR	2
5	201100-QU	1/4-28 NYLOCK NUT THIN	6
6	341497	10-32 x .020-.130 RIVNUT GOLD	4-6
7	881031, 881030	V BRACKET W/BUSHING XTR (EA)	1
8	561262	1 3/8" ANGLE TUBE END CAP	2
9	561261	SWING ARM CAP XTR	2
*10	341491	10-32 x .130-.225 RIVNUT GOLD	6

ITEM	NUMBER	DESCRIPTION	QTY
11	331070- 331076	1/4-20 x 14.70 ALL THREAD 14"-20" XTR	1
12	481654	SWING ARM WASHER XTR	2
13	201105	1/4-20 NYLOCK NUT THIN	2
15	562761	1" PLUG UNIVERSAL STYLE	2
16	561002	1" INSERT PLUG .083	2
8,14,16	660290- 660296	SWING ARM PNTD XTR 14"-20"	1
1,2,4, 5,6,10	660210- 660244	SEAT FRAME 14"-20" x 14"-18" PNTD XTR	

*NOTE: THE BACK 4 RIVNUTS (PART #10) ARE LONGER THAN THE FRONT RIVNUTS (PART #6).

SHOCK ABSORBER (QUICKIE XTR)



ROCKSHX2A

ITEM	NUMBER	DESCRIPTION	QTY
1	222242	5/16-18 x 2 1/2 HEX C/S	2
2	880888	SHOCK ASSEM LIGHT	1

ITEM	NUMBER	DESCRIPTION	QTY
2A	880889	SHOCK ASSEM HEAVY	1
3	202103	5/16-18 NYLOCK NUT THICK	2

NOTE: LIGHT SHOCK LABELED 550, HEAVY SHOCK LABELED 659.

