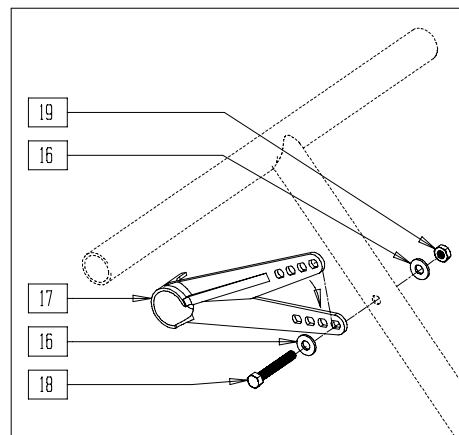
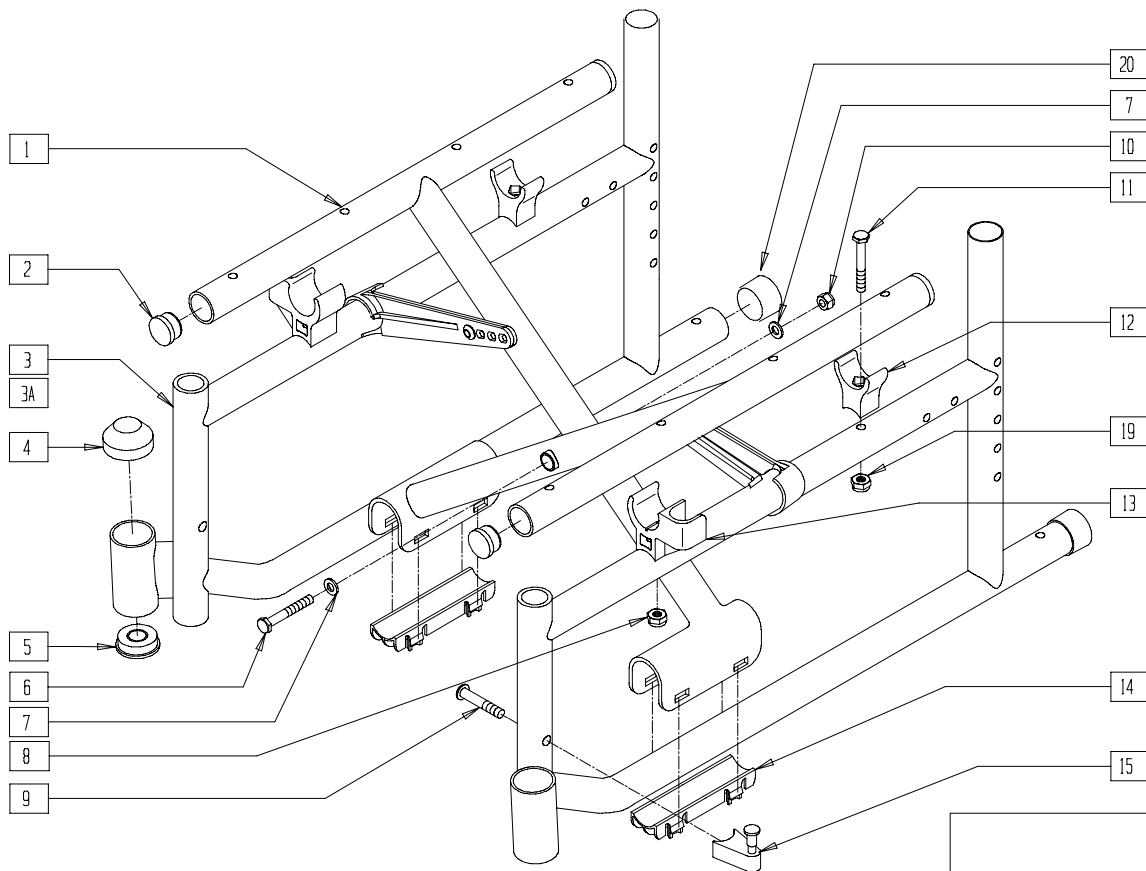


# Breezy Frames

## IN THIS SECTION

Frame (Breezy 500).....	4.1	Frame (Breezy 510 Recliner) .....	4.5
Frame (Breezy 510) (Disc.) .....	4.2	Frame (Breezy 2) (Disc.) .....	4.6
Frame (Breezy 510).....	4.3	Frame (Breezy 100/150).....	4.7
Frame (Breezy 510 Ultra Hemi).....	4.4		

# FRAME (BREEZY 500)



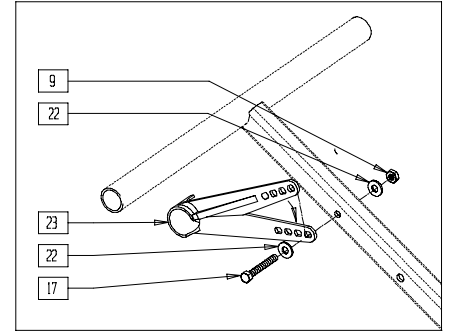
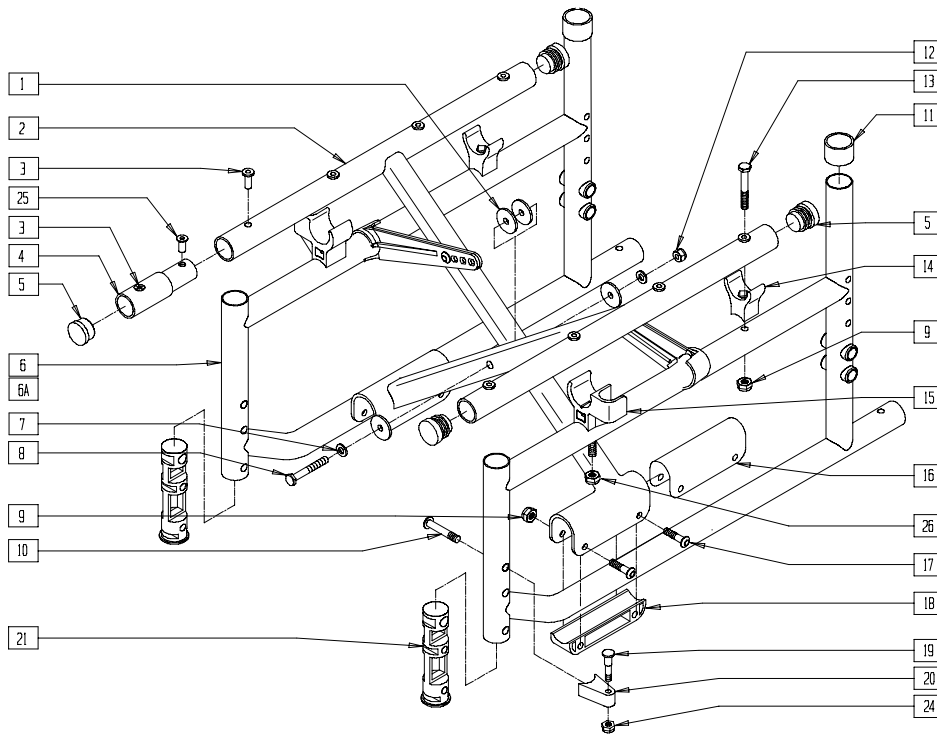
BR510X03A

ITEM	NUMBER	DESCRIPTION	QTY
2	561062	1" INSERT PLUG .065 RIBS	4
4	560776	CAP STEM HOUSING	2
5	349516	1/2 ID FLANGED BEARING	2
6	222249	5/16-24 x 3 G8 HEX C/S	1
7	263110-QU	5/16 AN WASHER FLAT THIN	2
8	201120	1/4-28 AUTOMATION NUT	2
9	226190	5/16-18 x 1 3/4 BH C/S SHLDR	2
10	202104	5/16-24 NYLOCK NUT	1
11	221160	1/4-28 x 2 HEX C/S	2
12	561175	SEAT SADDLE REAR BR/LXI	2
13	561113, 561114	ARM SADDLE FLIP-BACK BR/LXI	1
8,13	880371	ARM SADDLES W/HARDWARE BR (PR)	
14	560258	X-TUBE END CAP BUSHING	2

ITEM	NUMBER	DESCRIPTION	QTY
15	880689	S/A LATCH BLOCK ASSEMBLY BR	2
16	262100-QU	1/4 AN WASHER FLAT	4
17	887730- 887732	X-HINGE PLASTIC 12"-22" (PR)	1
18	226140	1/4-28 x 1 3/4 BH C/S	2
19	201110-QU	1/4-28 NYLOCK NUT	4
20	561310	BR 1" TUBE END BUSHING CM	2
9,15	920483	S/A LATCH ASSEMBLY W/BOLT BR	
3,11, 12,19	620375, 620376	SIDE FRAME PAINTED B500	
1,2,6,7,10, 14,16-19	672660, 672662	X-TUBE ASSM 16" x 16" STEEL X-TUBE ASSM 18" x 16" STEEL	

# FRAME (BREEZY 510)

(Effective beginning serial number BZ-351000; Discontinued 9/99 - parts only)



BZ00X24A

ITEM	NUMBER	DESCRIPTION	QTY
1	561016	1" WASHER 5/16" HOLE	4
3	341597	10-32 x .020-.130 RIVNUT GOLD	8
5	561002	1" INSERT PLUG .083	4
7	263110-QU	5/16 AN WASHER FLAT THIN	2
8	222249	5/16-24 x 3 G8 HEX C/S	1
9*	201120	1/4-28 AUTOMATION NUT	6
10	226190	5/16-18 x 1 3/4 BH C/S SHLDR	2
11	561310	BC 1" TUBE END BUSHING CM	2
12	202104	5/16-24 NYLOCK NUT	1
13	221160	1/4-28 x 2 HEX C/S	2
14*	561175	SEAT SADDLE REAR BR/LXI	2
15*	561113, 561114	ARM SADDLE FLIP-BACK BR/LXI (EA)	1
16	561558	BRACKET BUSHING X-TUBE BR/LXI	2
17	226140	1/4-28 x 1 3/4 BH C/S	6
18	561557	PIVOT BLOCK (PLASTIC)	2
19	481023	S/A LATCH STUD NEW	2
20	550310	LATCH STUD SUPPORT	2
21	561556	FRAME INSERT PLASTIC	2
22	262100-QU	1/4 AN WASHER FLAT	4
23	887730- 887732	X-HINGE PLASTIC 12"-22" (PR)	1
24	201100-QU	1/4-28 NYLOCK NUT THIN	2
25	341491	10-32 x .130-.225 RIVNUT GOLD	2
26	201110-QU	1/4-28 NYLOCK NUT	4
3,4,5,27	920153	X-TUBE EXTENSION 2" W/HDR BR	
9,15	880371	ARM SADDLES W/HARDWARE BR	
6,9,11, 13,14	620185	SIDE FRAME REG PAINTED BR (EA)	
6A,9,11, 13,14	620186	SIDE FRAME LONG PAINTED BR (EA)	
10,19, 20,21	920220	S/A LATCH ASSEMBLY W/BOLT	

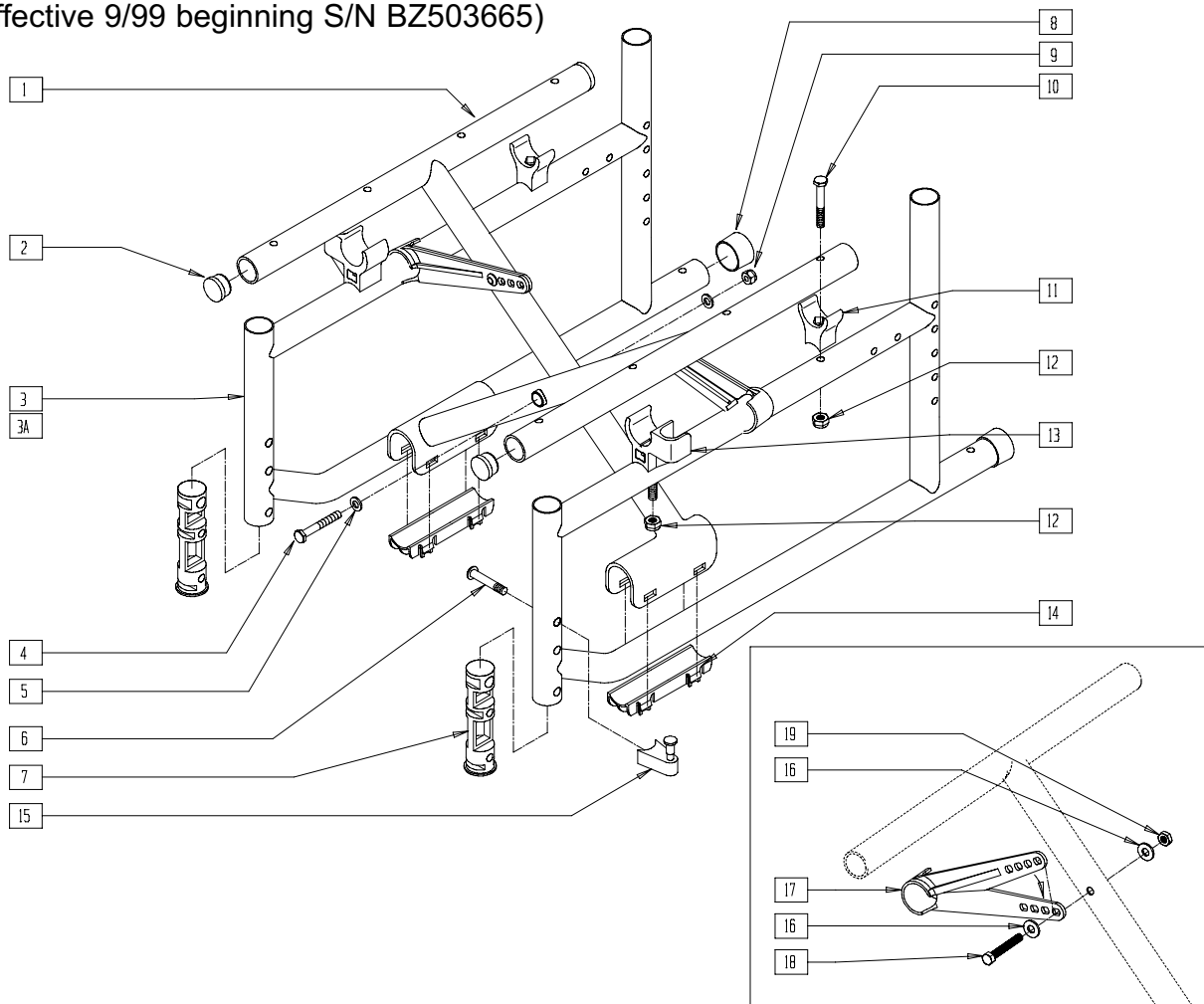
ITEM	NUMBER	DESCRIPTION	QTY
1-3,5,7-9, 12,16-18, 22,23	672444	X-TUBE ASSM 14" x 15"/16" HINGE BR	
	672644	X-TUBE ASSM 16" x 15"/16" HINGE BR	
	672844	X-TUBE ASSM 18" x 15"/16" HINGE BR	
	673044	X-TUBE ASSM 20" x 15"/16" HINGE BR	
1-5,7-9,12, 16-18, 22,23,25	672454	X-TUBE ASSM 14" x 17"/18" HINGE BR	
	672654	X-TUBE ASSM 16" x 17"/18" HINGE BR	
	672854	X-TUBE ASSM 18" x 17"/18" HINGE BR	
	673054	X-TUBE ASSM 20" x 17"/18" HINGE BR	
1-3,5,7-12, 14,16-18, 21-23	611144*	FRAME ASSM 14" x 16" HINGE BR (SPECIFY COLOR)	
	611146*	FRAME ASSM 16" x 16" HINGE BR (SPECIFY COLOR)	
	611148*	FRAME ASSM 18" x 16" HINGE BR (SPECIFY COLOR)	
	611150*	FRAME ASSM 20" x 16" HINGE BR (SPECIFY COLOR)	
1-5,7-12, 14,16-18, 21-23,25	611154*	FRAME ASSM 14" x 18" HINGE BR (SPECIFY COLOR)	
	611156*	FRAME ASSM 16" x 18" HINGE BR (SPECIFY COLOR)	
	611158*	FRAME ASSM 18" x 18" HINGE BR (SPECIFY COLOR)	
	611160*	FRAME ASSM 20" x 18" HINGE BR (SPECIFY COLOR)	

\* ITEMS 9, 14 AND 15 MUST BE ORDERED SEPARATELY.

NOTE: ORDER ITEMS 13 AND 15 WHEN NOT USING A FLIP-BACK ARM.

# FRAME (BREEZY 510)

(Effective 9/99 beginning S/N BZ503665)



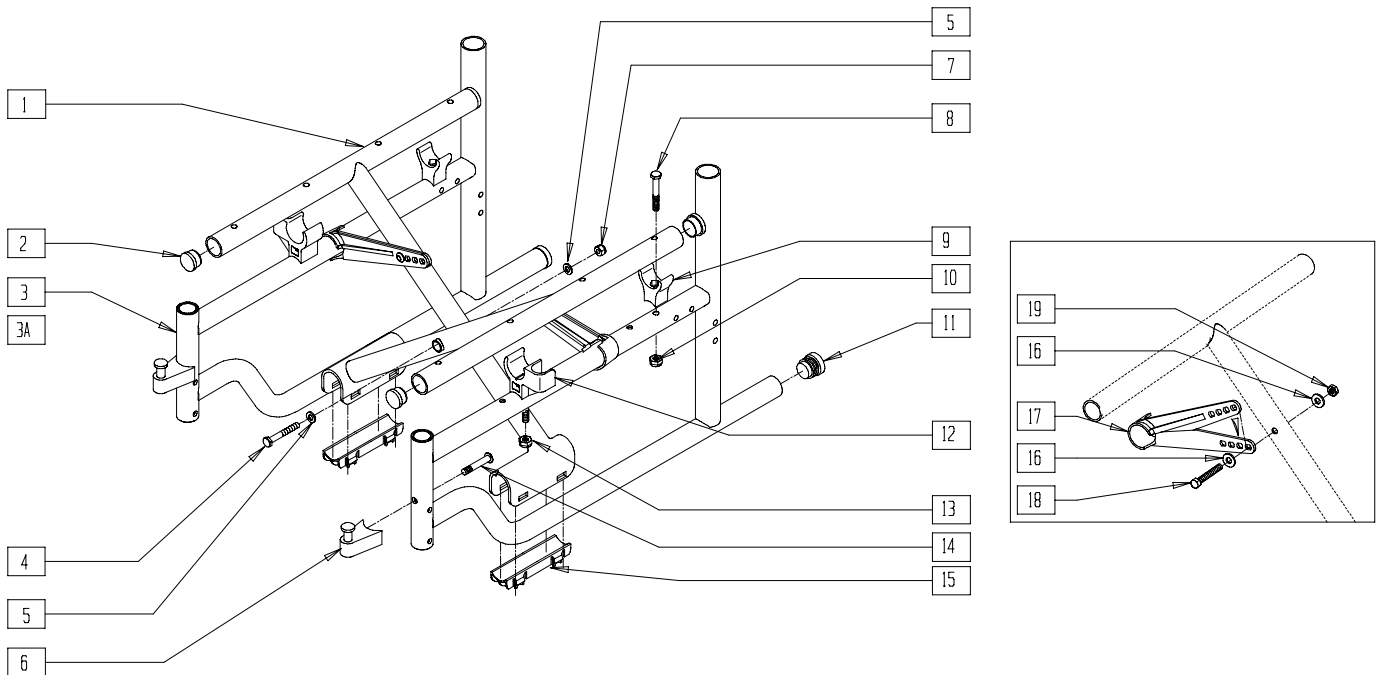
BR510X1A

ITEM	NUMBER	DESCRIPTION	QTY
	2	1" INSERT PLUG .065 RIBS	4
	4	222249 5/16-24 x 3 G8 HEX C/S	1
	5	263110-QU 5/16 AN WASHER FLAT THIN	2
	6	226190 5/16-18 x 1 3/4 BH C/S SHLDR	2
	7	561556 FRAME INSERT PLASTIC	2
	8	561310 BC 1" TUBE END BUSHING CM	2
	9	202104 5/16-24 NYLOCK NUT	1
	10	221160 1/4-28 x 2 HEX C/S	2
	11*	561175 SEAT SADDLE REAR BR/LXI	2
	12*	201120 1/4-28 AUTOMATION NUT	4
	13*	561113, 561114 ARM SADDLE FLIP-BACK BR/LXI (EA)	1
	14	560258 X-TUBE END CAP BUSHING	2
	15	880689 S/A LATCH BLOCK ASSEMBLY BR	2
	16	262100-QU 1/4 AN WASHER FLAT	4
	17	887730-887732 X-HINGE PLASTIC 12"-22" (PR)	1
	18	226140 1/4-28 x 1 3/4 BH C/S	2
	19	201110-QU 1/4-28 NYLOCK NUT	2
	12,13	880371 ARM SADDLES W/HARDWARE BR	
	6,15	920483 S/A LATCH ASSEMBLY W/BOLT BR	
	3,7,8,10-12	620195 SIDE FRAME REG PAINTED BR (EA)	
	3A,7,8,10-12	620196 SIDE FRAME LONG PAINTED BR (EA)	

ITEM	NUMBER	DESCRIPTION	QTY
	672445	X-TUBE ASSEMBLY 14" x 16" STEEL	
	672660	X-TUBE ASSEMBLY 16" x 16" STEEL	
	672662	X-TUBE ASSEMBLY 18" x 16" STEEL	
	673045	X-TUBE ASSEMBLY 20" x 16" STEEL	
1,2,4,5,9,12,14,16-19	672455	X-TUBE ASSEMBLY 14" x 18" STEEL	
	672661	X-TUBE ASSEMBLY 16" x 18" STEEL	
	672663	X-TUBE ASSEMBLY 18" x 18" STEEL	
	673055	X-TUBE ASSEMBLY 20" x 18" STEEL	
1-5,7-12,14,16-19	611244*	FRAME ASSEMBLY 14" x 16" HINGE BR (SPECIFY COLOR)	
	611246*	FRAME ASSEMBLY 16" x 16" HINGE BR (SPECIFY COLOR)	
	611248*	FRAME ASSEMBLY 18" x 16" HINGE BR (SPECIFY COLOR)	
	611250*	FRAME ASSEMBLY 20" x 16" HINGE BR (SPECIFY COLOR)	
1,2,3A,4,5,7-12,14,16-19	611254*	FRAME ASSEMBLY 14" x 18" HINGE BR (SPECIFY COLOR)	
	611256*	FRAME ASSEMBLY 16" x 18" HINGE BR (SPECIFY COLOR)	
	611258*	FRAME ASSEMBLY 18" x 18" HINGE BR (SPECIFY COLOR)	
	611260*	FRAME ASSEMBLY 20" x 18" HINGE BR (SPECIFY COLOR)	

\* ITEMS 11, 12 AND 13 MUST BE ORDERED SEPARATELY.  
NOTE: ORDER ITEMS 10 AND 13 WHEN NOT USING A FLIP-BACK ARM.

# FRAME (BREEZY 510 ULTRA HEMI)

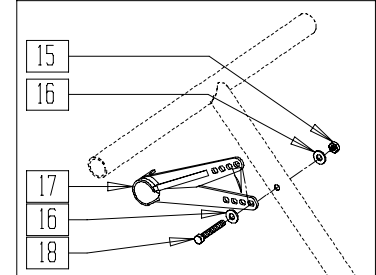
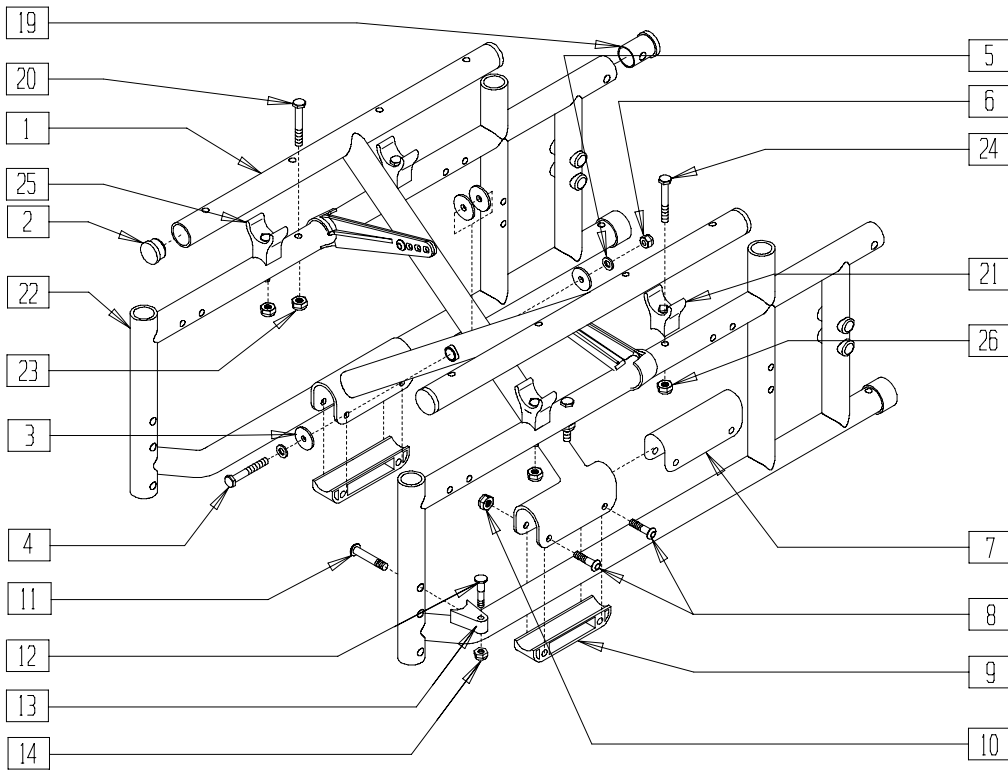


BZ510X01

ITEM	NUMBER	DESCRIPTION	QTY
	2	1" INSERT PLUG .065 RIBS	2
	4	5/16-24 x 3 G8 HEX C/S	1
	5	263110-QU 5/16 AN WASHER FLAT THIN	2
	6	880689 S/A LATCH BLOCK ASSEMBLY BR	2
	7	202104 5/16-24 NYLOCK NUT	1
	8	221160 1/4-28 x 2 HEX C/S	2
	9	561175 SEAT SADDLE REAR BR/LXI	2
	10	201110-QU 1/4-28 NYLOCK NUT	4
	11	561002 1" INSERT PLUG .083	2
	12	561113, 561114 ARM SADDLE FLIP-BACK BR/LXI (EA)	1
	13	201120 1/4-28 AUTOMATION NUT	2
	12,13	880371 ARM SADDLES W/HDWR BR (PR)	
	14	226190 5/16-18 x 1 3/4 BH C/S SHLDR	2
	15	560258 X-TUBE END CAP BUSHING	2
	16	262100-QU 1/4 AN WASHER FLAT	4
	17	887730-887732 X-HINGE ASSEMBLY PLASTIC 12"-22" (PR)	2
	18	226140 1/4-28 x 1 3/4 BH C/S	2
	19	201110-QU 1/4-28 NYLOCK NUT	2
	6,14	920483 S/A LATCH ASSEMBLY W/BOLT BR	
	3,8-11	620275 SIDE FRAME 16" DEPTH HEMI B510	
	3A,8-11	620276 SIDE FRAME 18" DEPTH HEMI B510	

ITEM	NUMBER	DESCRIPTION	QTY
1,2,4,5, 10,15	672670	X-TUBE ASSEMBLY 14" x 16" HEMI STEEL	
	672672	X-TUBE ASSEMBLY 16" x 16" HEMI STEEL	
	672674	X-TUBE ASSEMBLY 18" x 16" HEMI STEEL	
	672676	X-TUBE ASSEMBLY 20" x 16" HEMI STEEL	
	672680	X-TUBE ASSEMBLY 14" x 18" HEMI STEEL	
	672682	X-TUBE ASSEMBLY 16" x 18" HEMI STEEL	
	672684	X-TUBE ASSEMBLY 18" x 18" HEMI STEEL	
	672686	X-TUBE ASSEMBLY 20" x 18" HEMI STEEL	
1-5,7-11, 15-19	611230	FRAME ASSEMBLY 14" x 16" HEMI B510	
	611231	FRAME ASSEMBLY 16" x 16" HEMI B510	
	611232	FRAME ASSEMBLY 18" x 16" HEMI B510	
	611233	FRAME ASSEMBLY 20" x 16" HEMI B510	
1,2,3A,4, 5,7-11, 15-19	611234	FRAME ASSEMBLY 14" x 18" HEMI B510	
	611235	FRAME ASSEMBLY 16" x 18" HEMI B510	
	611236	FRAME ASSEMBLY 18" x 18" HEMI B510	
	611237	FRAME ASSEMBLY 20" x 18" HEMI B510	

# FRAME (BREEZY 510 RECLINER)



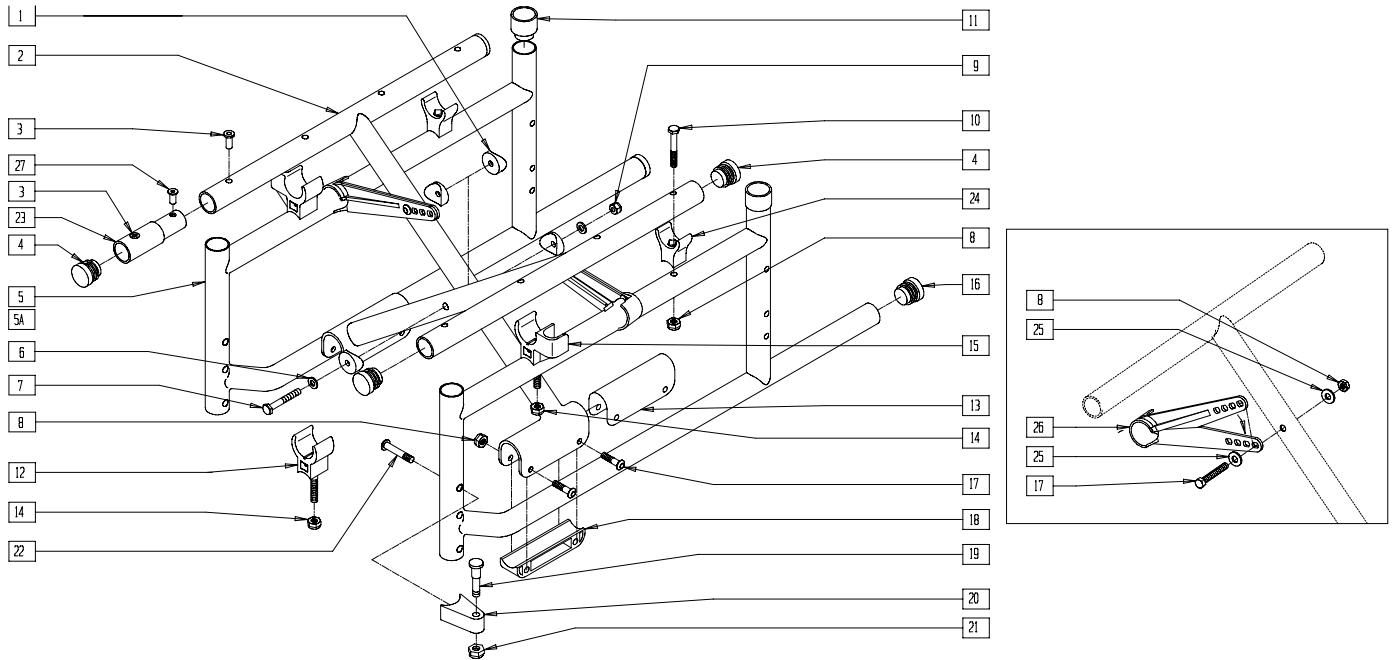
BRECX02

ITEM	NUMBER	DESCRIPTION	QTY
2	561002	1" INSERT PLUG .083	4
3	561016	1" WASHER 5/16" HOLE	4
4	222249	5/16-24 x 3 G8 HEX C/S	1
5	263110-QU	5/16 AN WASHER FLAT THIN	2
6	202104	5/16-24 NYLOCK NUT	1
7	561558	BRACKET BUSHING X-TUBE BR/LXI	2
8	226140	1/4-28 x 1 3/4 BH C/S	2
9	561557	PIVOT BLOCK PLASTIC	2
10	201110	1/4-28 NYLOCK NUT	4
11-14	920220	S/A LATCH ASSEMBLY W/BOLT	
15	201110	1/4-28 NYLOCK NUT	2
16	262100-QU	1/4 AN WASHER FLAT	4
17	887730-887732	X-HINGE PLASTIC 12"-22" (PR)	1
18	226140	1/4-28 x 1 3/4 BH C/S	2
19	483116	SIDE FRAME PLUG BR RCLNR	2
20	221133	1/4-28 x 1 1/2 G8 HEX C/S	2
21	561175	SEAT SADDLE REAR BR/LXI	2
23	201120	1/4-28 AUTOMATION NUT	2
24	221160	1/4-28 x 2 HEX C/S	4
25	561175	SEAT SADDLE REAR BR/LXI	2
26	201110	1/4-28 NYLOCK NUT	4

ITEM	NUMBER	DESCRIPTION	QTY	
1-10, 15-18	672444	X-TUBE ASSEMBLY 14" x 15/16" HINGE BR		
	672644	X-TUBE ASSEMBLY 16" x 15/16" HINGE BR		
	672844	X-TUBE ASSEMBLY 18" x 15/16" HINGE BR		
	673044	X-TUBE ASSEMBLY 20" x 15/16" HINGE BR		
	672454	X-TUBE ASSEMBLY 14" x 17/18" HINGE BR		
	672654	X-TUBE ASSEMBLY 16" x 17/18" HINGE BR		
	672854	X-TUBE ASSEMBLY 18" x 17/18" HINGE BR		
	673054	X-TUBE ASSEMBLY 20" x 17/18" HINGE BR		
	20-26	620180	SIDE FRAME REG PNTD B51 RECLINER (SPECIFY COLOR)	
		620181	SIDE FRAME LNG PNTD B51 RECLINER (SPECIFY COLOR)	
620157		SIDE FRAME REGULAR CHROME B51 RECLINER		
620158		SIDE FRAME LONG CHROME B51 RECLINER		
1-26	611044-611061	FRAME ASSEMBLY RECLINER BR 14"-20" x 16" AND 14"-20" x 18"		

# FRAME (BREEZY 2)

(Fits Breezy 2 beginning B2-5000; discontinued 5/98 - parts only)



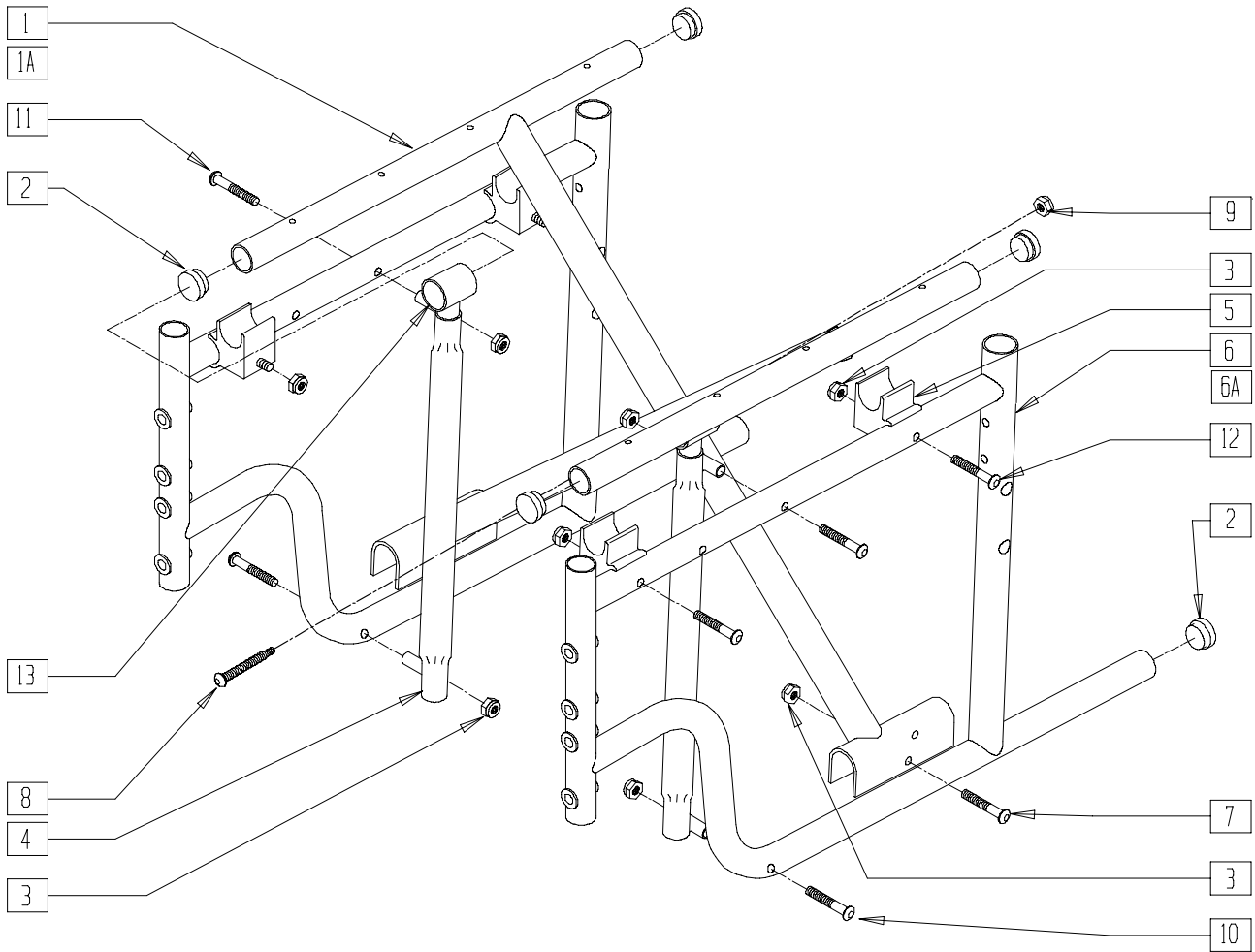
BZ00X03A

ITEM	NUMBER	DESCRIPTION	QTY
1	561006	1" SADDLE 5/16" HOLE	4
3	341597	10-32 x .020-.130 RIVNUT GOLD	1,8
4	561002	1" INSERT PLUG .083	4
6	263110-QU	5/16 AN WASHER FLAT THIN	2
7	222249	5/16-24 x 3 G8 HEX C/S	1
8	201110	1/4-28 NYLOCK NUT	6
9	202104	5/16-24 NYLOCK NUT	1
10	221160	1/4-28 x 2 HEX C/S	2
11	561084	1 1/8" TUBE END BUSHING THIN BZ	2
12*	561092	SEAT SADDLE BR (L AND R)	2
13	561558	BRACKET BUSHING X-TUBE BR/LXI	2
14*	201120	1/4-28 AUTOMATION NUT	2
15*	561113, 561114	ARM SADDLE FLIP-BACK BR/LXI (EA)	1
14,15	880371	ARM SADDLES W/HARDWARE BR	
16	561002	1" INSERT PLUG .083	2
17	226140	1/4-28 x 1 3/4 BH C/S	6
18	561557	PIVOT BLOCK (PLASTIC)	2
19	481023	S/A LATCH STUD NEW	2
20	550310	LATCH STUD SUPPORT	2
21	201100-QU	1/4-28 NYLOCK NUT THIN	2
22	226190	5/16-18 x 1 3/4 BH C/S SHLDR	2
24	561175	SEAT SADDLE REAR BR/LXI	2
25	262100-QU	1/4 AN WASHER FLAT	4
26	887730- 887732	X-HINGE PLASTIC 12"-22"	2
27	341491	10-32 x .130-.225 RIVNUT GOLD	2
5,8,10, 11,16,24	620257	SIDE FRAME REG ALUM HINGE B2 (EA)	
5A,8,10, 11,16,24	620258	SIDE FRAME LNG ALUM HINGE B2 (EA)	
19-22	920220	S/A LATCH ASSEMBLY W/BOLT	
3,4,23,27	920153	X-TUBE EXTENSION 2" W/HDW R BR	

\* ITEMS 12, 14 AND 15 MUST BE ORDERED SEPARATELY.  
NOTE: ORDER ITEMS 12 AND 14 WHEN NOT USING A FLIP-BACK ARM.

ITEM	NUMBER	DESCRIPTION	QTY
1-4,6-9, 13,17, 18,25,26	672444	X-TUBE ASSM 14" x 15/16" HINGE BR	
1,2A,3,4, 6-9,13,17, 18,25,26	672644	X-TUBE ASSM 16" x 15/16" HINGE BR	
1-4,6-9, 13,17, 18,25,26	672844	X-TUBE ASSM 18" x 15/16" HINGE BR	
	673044	X-TUBE ASSM 20" x 15/16" HINGE BR	
	672454	X-TUBE ASSM 14" x 17/18" HINGE BR	
1-4,6-9, 13,17,18, 23,25-27	672654	X-TUBE ASSM 16" x 17/18" HINGE BR	
	672854	X-TUBE ASSM 18" x 17/18" HINGE BR	
	673054	X-TUBE ASSM 20" x 17/18" HINGE BR	
	611164*	FRAME ASSM 14" x 15/16" HINGE B2 (SPECIFY COLOR)	
1-11,13, 16-18, 24-26	611166*	FRAME ASSM 16" x 15/16" HINGE B2 (SPECIFY COLOR)	
	611168*	FRAME ASSM 18" x 15/16" HINGE B2 (SPECIFY COLOR)	
	611170*	FRAME ASSM 20" x 15/16" HINGE B2 (SPECIFY COLOR)	
	611174*	FRAME ASSM 14" x 17/18" HINGE B2 (SPECIFY COLOR)	
1-4,5A, 6-11,13, 16-18, 23-27	611176*	FRAME ASSM 16" x 17/18" HINGE B2 (SPECIFY COLOR)	
	611178*	FRAME ASSM 18" x 17/18" HINGE B2 (SPECIFY COLOR)	
	611180*	FRAME ASSM 20" x 17/18" HINGE B2 (SPECIFY COLOR)	

# FRAME (BREEZY 100/150)



BRZ10X01

ITEM	NUMBER	DESCRIPTION	QTY
1	222-0538	16" X-BRACE ASSEMBLY (BZ100)	1
	222-0539	18" X-BRACE ASSEMBLY (BZ100)	
	222-0540	20" X-BRACE ASSEMBLY (BZ100)	
1A	222-0771	16" x 16" X-BRACE ASSEMBLY (BZ150)	1
	222-0772	18" x 16" X-BRACE ASSEMBLY (BZ150)	
	222-0773	20" x 16" X-BRACE ASSEMBLY (BZ150)	
	222-0774	16" x 18" X-BRACE ASSEMBLY (BZ150)	
	222-0775	18" x 18" X-BRACE ASSEMBLY (BZ150)	
	222-0776	20" x 18" X-BRACE ASSEMBLY (BZ150)	

ITEM	NUMBER	DESCRIPTION	QTY
6	222-0536L	SIDE FRAME L (BZ100)	1
	222-0536R	SIDE FRAME R (BZ100)	
6A	222-0799L	SIDE FRAME L (BZ150)	1
	222-0799R	SIDE FRAME R (BZ150)	
13	222-0787	ALUM SLIDE TUBE (BZ150)	2
2,3,7-9	222-0638	CROSS BRACE HARDWARE KIT	
3,4,10,11	222-0537	VERTICAL SLIDE/GLIDE ASSEMBLY W/HARDWARE	
3,5,12	222-0648	SEAT SUPPORT W/HARDWARE (PR)	