

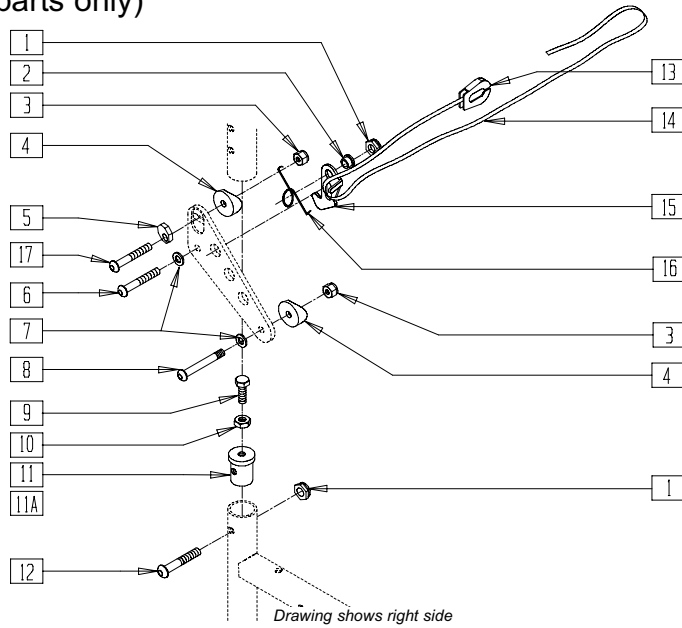
Rigid Chair Backrests and Upholstery

IN THIS SECTION

Quick-Release Back Lock (Quickie Triumph/ST/DT) (Disc.).....	11.1	Backrest Upholstery (ST/DT).....	11.9
Folding Backrest Tubes (Quickie 1/Carbon/ Triumph/ST/DT) (Disc)	11.1	Back Upholstery (Quickie <i>TNT/R2</i> (Adjustable)	11.10
Backrest and Quick-Release Back Lock (Quickie1/Carbon/Triumph/ST/DT/R2)	11.2	Adjustable Back Upholstery (Quickie ST/DT)	11.10
Backrest and Quick-Release Back Lock (Quickie XTR).....	11.3	Tension Adjustable Back Upholstery (Quickie Carbon/GPS/Triumph/ST/DT/ XTR/R2 (Fixed))	11. 11
Backrest (Quickie R2 Adjustable/ <i>TNT</i>)	11.4	Standard Back Upholstery Integral Push Handle Backrest (Quickie GP/GPV/GP S/A/GPV Competition/ Ti/XTR/R2 (Rigid)).....	11.12
Backrest and Back Upholstery (Quickie ST/DT) (Disc.).....	11.5	Bolt-On Push Handle Assembly (Quickie 1/Carbon/R2/ <i>TNT</i>)	11.13
Backrest Assembly (Fixed Back)(Quickie ST/DT) ..	11.6	Back Upholstery Measuring Guides.....	11.14
Backrest Assembly (Folding Back) (Quickie ST/DT)	11.7	Back Upholstery Measuring Guides (Cont)	11.15
Backrest (Quickie GPS) (Disc.).....	11.8		
Folding Back Upholstery (Quickie 1/GPS/R2 (Fixed Frame)/Triumph/XTR) ..	11.9		

QUICK-RELEASE BACK LOCK (QUICKIE TRIUMPH/ST/DT)

(Discontinued 9/8/98 - parts only)



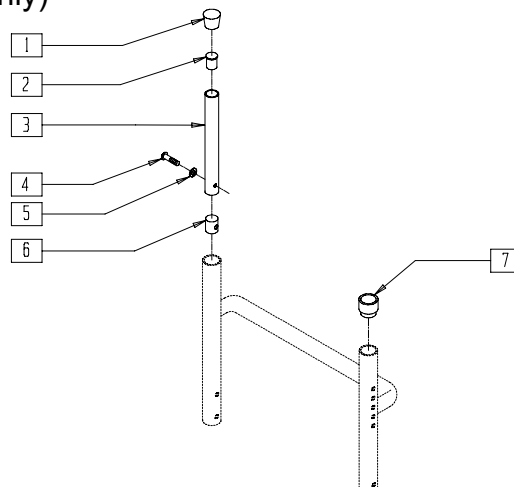
BK0X011B

ITEM	NUMBER	DESCRIPTION	QTY
1	201100-QU	1/4-28 NYLOCK NUT THIN	2
2	481039	BACK RELEASE BUSHING RIGID	2
3	201110	1/4-28 NYLOCK NUT	2
4	561087	BACK RELEASE SADDLE RIGID	2
5	341017	WASHER ECCENTRIC	2
6	226140	1/4-28 x 1 3/4 BH C/S	2
7	262100-QU	1/4 AN WASHER FLAT	2
8	226058	1/4-20 x 3/4 SOC C/S	2
9	221105	1/4-20 x 3/4 HEX C/S	2
10	201121	1/4-20 NUT THIN	2
11	483010	Q1/GP BACK REL ANGLE PLUG	2
11A	483055	PLUG BACK REL Ti GPV	2
12	226130	1/4-28 x 1 1/2 BH C/S	

ITEM	NUMBER	DESCRIPTION	QTY
13	560221	BACK RELEASE STRAP LOCK RIGID	1
14	750060	BACK RELEASE STRAP 12"-20" RIGID	1
15	505033, 505034	Q1/GP BACK RELEASE BRACKET (EA)	1
16	321121, 321125	BACK RELEASE SPRING RIGID (EA)	1
17	226147	1/4-28 x 1.85 BH C/S	2
1,9,10-12	920191	GP BACK REL PLUG W/HDWR	
1,9,10, 11A,12	920192	Ti BACK REL PLUG W/HDWR	
1-17	920218	GP BACK REL BRKT AND PLUG ASSM	
1-10,11A, 12-17	920219	Ti BCK REL BRKT AND PLUG ASSM	

FOLDING BACKREST TUBES(QUICKIE 1/CARBON/TRIUMPH/ST/DT)

(Discontinued 8/17/98 - parts only)



BK0X01

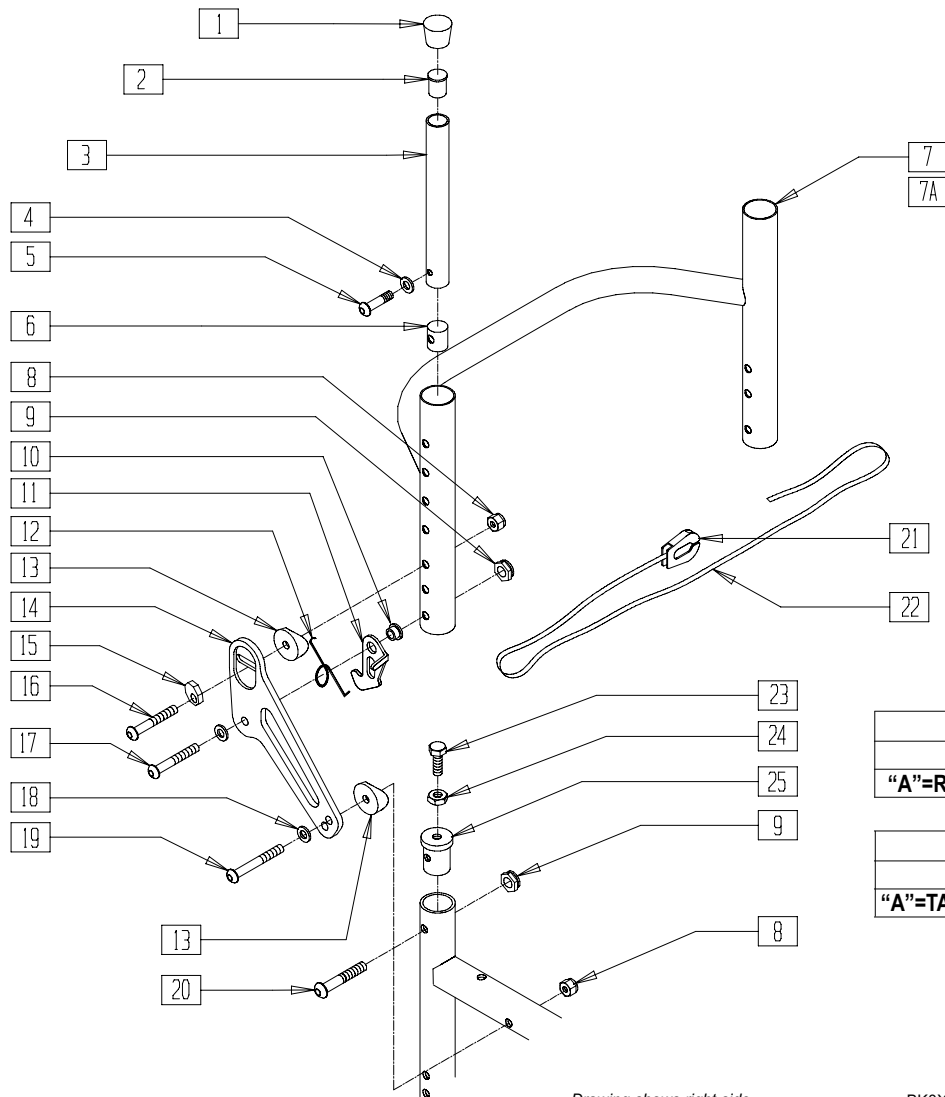
ITEM	NUMBER	DESCRIPTION	QTY
1	561010	3/4" CAP	1
2	561000-QU	3/4" INSERT PLUG .083	1
4	226101	1/4-20 x 3/4 BH C/S	1
5	262130	6mm WASHER WAVE	1

ITEM	NUMBER	DESCRIPTION	QTY
6	483001	Q2 FRAME/FOOT RETAINING PLUG	1
7	561082	1" TUBE END BUSHING THIN	1
1-7	840100- 840104	BACK ADJUSTABLE TUBE 8"-20" RIGID	

NOTE: FOR BACK FRAME SEE PAGE 10.2.

BACKREST AND QUICK-RELEASE BACK LOCK (QUICKIE 1/CARBON/ST/DT/TRIUMPH/R2(RIGID))

(Effective 9/8/98) (Triumph Discontinued 2/01- parts only)



Drawing shows right side

BK0X014A

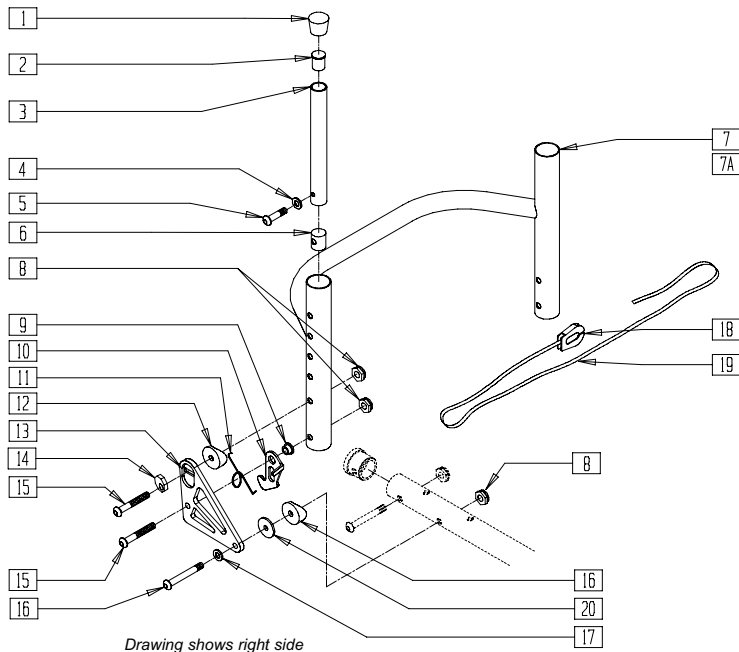
BACK FRAME SIZES			
	8"-12"	11"-14"	12"-16"
"A"=REG SIZE 8"	X	X	X

BACK FRAME SIZES			
	14"-18"	16"-20"	
"A"=TALL SIZE 12"	X	X	

ITEM	NUMBER	DESCRIPTION	QTY
1	561010	3/4" CAP	2
2	561000-QU	3/4" INSERT PLUG .083	2
4	262130	6mm WASHER WAVE	2
5	226101	1/4-20 x 3/4 BH C/S	2
6	483001	Q2 FRAME/FOOT RETAINING PLUG	2
7	520440- 520450	BCK FRME 12"-20" REG RIGID BLK .115	1
7A	520540- 520550	BCK FRME 12"-20" TALL RIGID BLK .115	1
8	201110-QU	1/4-28 NYLOCK NUT	4
9	201100-QU	1/4-28 NYLOCK NUT THIN	4
10	481039	BACK RELEASE BUSHING RIGID	2
11	505033, 505034	Q1/GP BACK RELEASE BRACKET (EA)	1
12	321153, 321154	BCK RELSE SPRING RIGID (NEW) (EA)	1
13	561087	BACK RELEASE SADDLE RIGID	2
14	500170, 500171	BACK RELEASE PIVOT PLATE RIGID BLK (NEW) (EA)	1

ITEM	NUMBER	DESCRIPTION	QTY
15	341018	WASHER ECCENTRIC LARGE	2
16	226147	1/4-28 x 1.85 BH C/S BLK	2
17	226140	1/4-28 x 1 3/4 BH C/S BLK	2
18	262100-QU	1/4 AN WASHER FLAT	4
19	226150	1/4-28 x 2 BH C/S	2
20	226130	1/4-28 x 1 1/2 BH C/S	2
21	560221	BACK RELEASE STRAP LOCK RIGID	1
22	750060	BACK RELEASE STRAP 12"-20" RIGID	1
23	226058	1/4-20 x 3/4 SOC C/S	2
24	201121	1/4-20 NUT THIN	2
25	483010	Q1/GP BACK RELEASE ANGLE PLUG	2
1-6	840100- 840104	BACK ADJUSTABLE TUBE RIGID	
7-22	840320- 840329	BACK FRAME .115 REG 12"-20" W/BACK RELEASE	
7A,8-22	840330- 840339	BACK FRAME .115 TALL 12"-20" W/BACK RELEASE	

BACKREST AND QUICK-RELEASE BACK LOCK (QUICKIE XTR)



BACK FRAME SIZES			
	8"-12"	11"-14"	12"-16"
"A"-REG SIZE 8"	X	X	X

BACK FRAME SIZES			
	14"-18"	16"-20"	
"A"-TALL SIZE 12"	X	X	

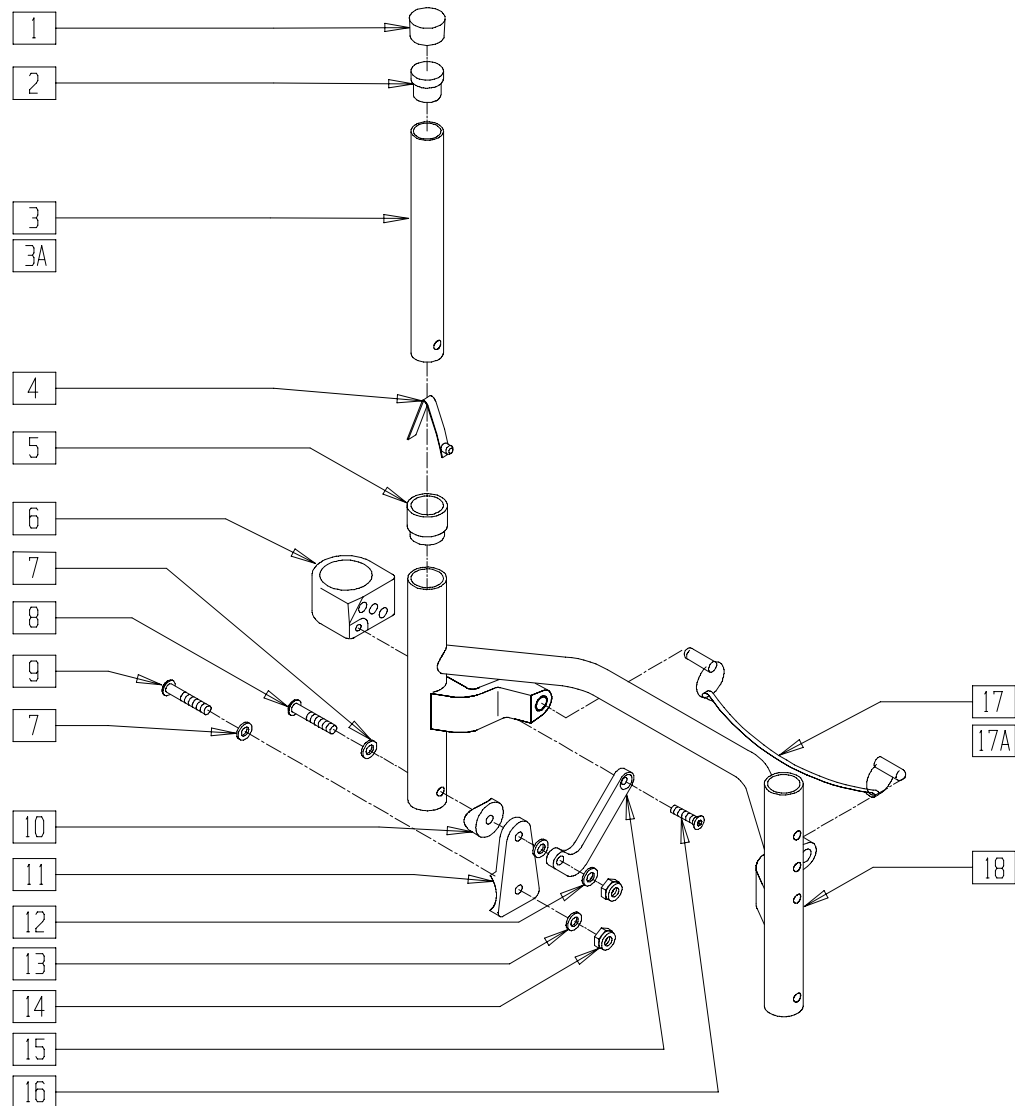
SUS0X36A

ITEM	NUMBER	DESCRIPTION	QTY
1	561010	3/4" CAP	2
2	561000-QU	3/4" INSERT PLUG .083	2
4	262130	6mm WASHER WAVE	2
5	226101	1/4-20 x 3/4 BH C/S	2
6	483001	Q2 FRAME/FOOT RETAINING PLUG	2
7	520442-520548	BACK FRAME 14"-20" REG RIGID BLK .115	1
7A	520542-520548	BACK FRAME 14"-20" TALL RIGID BLK .115	1
8	201100-QU	1/4-28 NYLOCK NUT THIN	6
9	481039	BACK RELEASE BUSHING RIGID	2
10	505033, 505034	Q1/GP BACK RELEASE BRACKET (NEW) (EA)	1
11	321153, 321154	BACK RELEASE SPRING RIGID (NEW) (EA)	1
12	561087	BACK RELEASE SADDLE RIGID	2

ITEM	NUMBER	DESCRIPTION	QTY
13	500110, 500111	BACK PLATE (EA)	2
14	341018	WASHER ECCENTRIC LARGE	2
15	226147	1/4-28 x 1.85 BH C/S BLK	2
16	561001	1 1/8" SADDLE 1/4" HOLE	2
17	262100-QU	1/4" AN WASHER FLAT	2
18	560221	BACK RELEASE STRAP LOCK RIGID	1
19	750060	BACK RELEASE STRAP 12"-20" RIGID	1
20	561026	3/4" WASHER 1/4" HOLE	2
1-6	840100-840104	BACK ADJUSTABLE TUBE RIGID	
7-20	840340-840346	BACK FRAME REG 14"-20" W/BACK RELEASE XTR	
7A,8-20	840350-840356	BACK FRAME .115 TALL 14"-20" W/BACK RELEASE XTR	

BACKREST (QUICKIE R2 ADJUSTABLE/TNT)

(TNT Discontinued 2/01 - parts only)



TNT0X07B

ITEM	NUMBER	DESCRIPTION	QTY
1	561010	3/4" CAP	2
2	561000	3/4" INSERT PLUG .083	2
3	520800	BACK ADJ TUBE ONLY 8-12 GP	2
3A	520810	BACK ADJ TUBE ONLY 11-14 GP	2
4	301100	1/4" SNAP BTTN SINGLE	2
5**	561082	1" TUBE END BUSHING THIN	2
6	887225, 887226	BACKREST ADJUSTABLE SLIDE W/LINER NEW (EA)	1
7	262130	6mm WASHER WAVE	2
8	226150	1/4-28 x 2 BH C/S	2
9	226140	1/4-28 x 1 3/4 BH C/S	2
10	561004	1" SADDLE 1/4" HOLE	2
11	550536	BACKREST HINGE QTNT	2
12	561111	1/4" NYLON WASHER BLK	4
13	262100-QU	1/4" AN WASHER FLAT	2
14	201100-QU	1/4-28 NYLOCK NUT THIN	4
15	550562, 550563	SLIDER LINK QTNT (EA)	1
16	226059	10-24 x 1/2 FH C/S	2

ITEM	NUMBER	DESCRIPTION	QTY
17	881600- 881607	BCKRST RELSE CABLE ASSEMBLY QTNT 14" - 18"	1
17A	881638, 881639	BCKRST REL CABLE ASSM R2 19" - 20"	
18	521260, 521266	BCK FRAME 14"-20" 8-10 W/BUSHING	1
	521267- 521271	BCK FRAME 14"-18" 10-14 W/BUSHING	
	521274- 521278	BCK FRAME 14"-18" 14-18 W/BUSHING	
	521306, 521307	BCK FRAME 19"-20" 10-14 W/BUSHING	
	521308, 521309	BCK FRAME 19"-20" 14-18 W/BUSHING	
1-4	840128	BACK ADJ TUBE W/CAP 8-12"	
1-3A,4	840129	BACK ADJ TUBE W/CAP 11-14"	
1-5	840108*	BACK ADJ TUBE 8-12" QTNT/R2	2
1-3A,4,5	840109*	BACK ADJ TUBE 11-14" QTNT/R2	2
6-16	920600, 920601	TNT/R2 BCK REL BRKT W/HWDR (EA)	

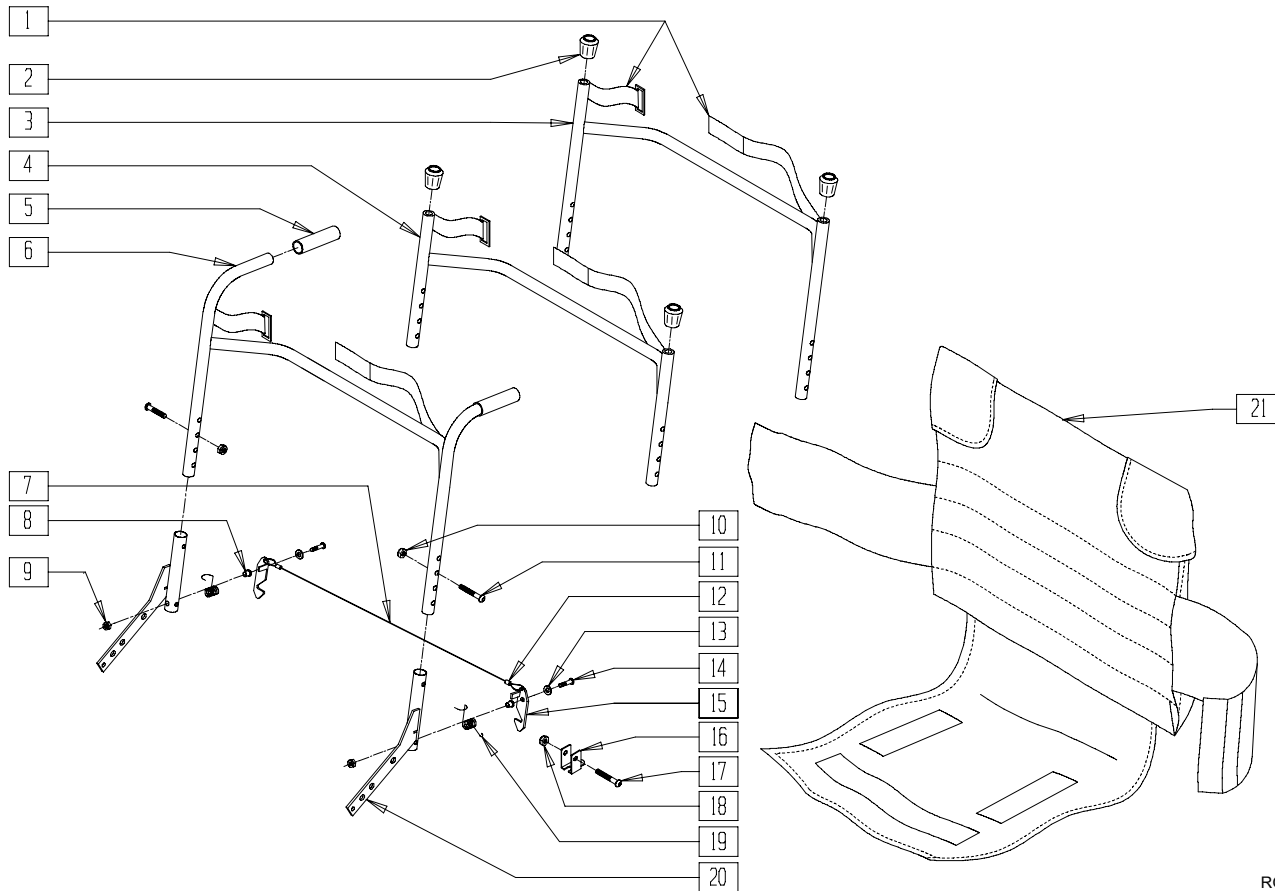
**561082 AVAILABLE ONLY FOR CHAIRS SOLD BEFORE 01/13/01

*840108 IS USED W/8-10 BACK HIEGHT ON BACKFRAMES.

*840109 IS USED W/10-14 & 14-18 BACK HEIGHT ON BACKFRAMES.

BACKREST AND BACK UPHOLSTERY (QUICKIE ST/DT)

(Discontinued 5/6/98 - parts only)

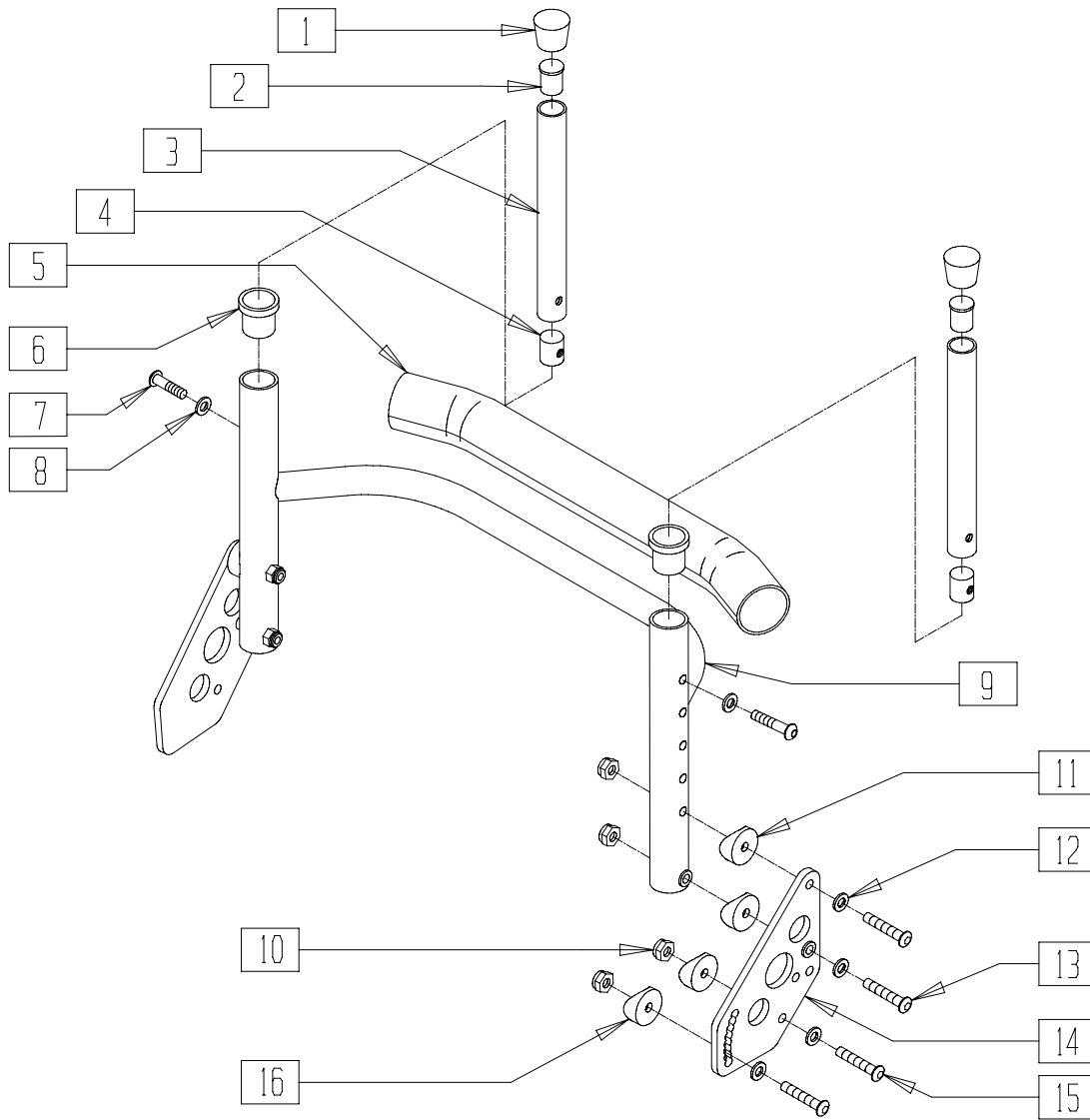


RG000X03

ITEM	NUMBER	DESCRIPTION	QTY
1	684120	BACKREST SUPPORT STRAP (SPECIFY DIMENSIONS)	1
2	560689	CRUTCH TIP	2
5	560662	QUICKIE GRIP 3/4"	2
7	139113	BACKREST RELEASE CABLE ONE/DT	1
8	481305	BACK LOCK PIVOT BUSHING	2
9	200108	10-32 NYLOCK NUT HIGH SS	2
10	201105	1/4-20 NYLOCK NUT THIN	2
11	226082	1/4-20 x 1 BH C/S SS	2
12	481302	BACK LOCK SLEEVES 3/32 COPPER ZN	2
13	262099	3/16 ALUM WASHER BACKUP	2
14	281149	10-32 x 1 1/2 BH C/S SS	2
15	505156, 505157	BACK LOCK PIVOT PNTD (EA)	1
16	341532	BACK LOCKS CHROMED CLIP STY (OLD STYLE-USED PRIOR TO 1990)	2
17	226130	1/4-28 x 1 1/2 BH C/S	2
18	201100-QU	1/4-28 NYLOCK NUT THIN	2

ITEM	NUMBER	DESCRIPTION	QTY
19	321128, 321129	BACK LOCK SPRING (EA)	1
20	527558, 527559	BACKREST SUPPORT RIGID (EA)	1
21	680150- 680752	UPHOLSTERY BACK	1
1-3	680012- 680020	BACKREST ASSEMBLY STD 12"-20" W/STRAP	
1,2,4	680022- 680030	BACKREST ASSEMBLY SHORT 12"-20" W/STRAP	
1,5,6	680032- 680040	BACKREST ASSEMBLY PH 8° 12"-20" W/STRAP (SPECIFY STD OR TALL)	
8,9,13-15, 19,20	880780, 880781	BACKREST SUPPORT ASSEMBLY (EA)	
7-9,12-15, 19,20	920402	BACKREST SUPPORT ASSEMBLY (SPECIFY WIDTH) (PR)	
7-9, 12-15,19	880832	BACKREST LATCH RELEASE ASSEMBLY ONE/DT	

BACKREST ASSEMBLY (FIXED BACK) (QUICKIE ST/DT)

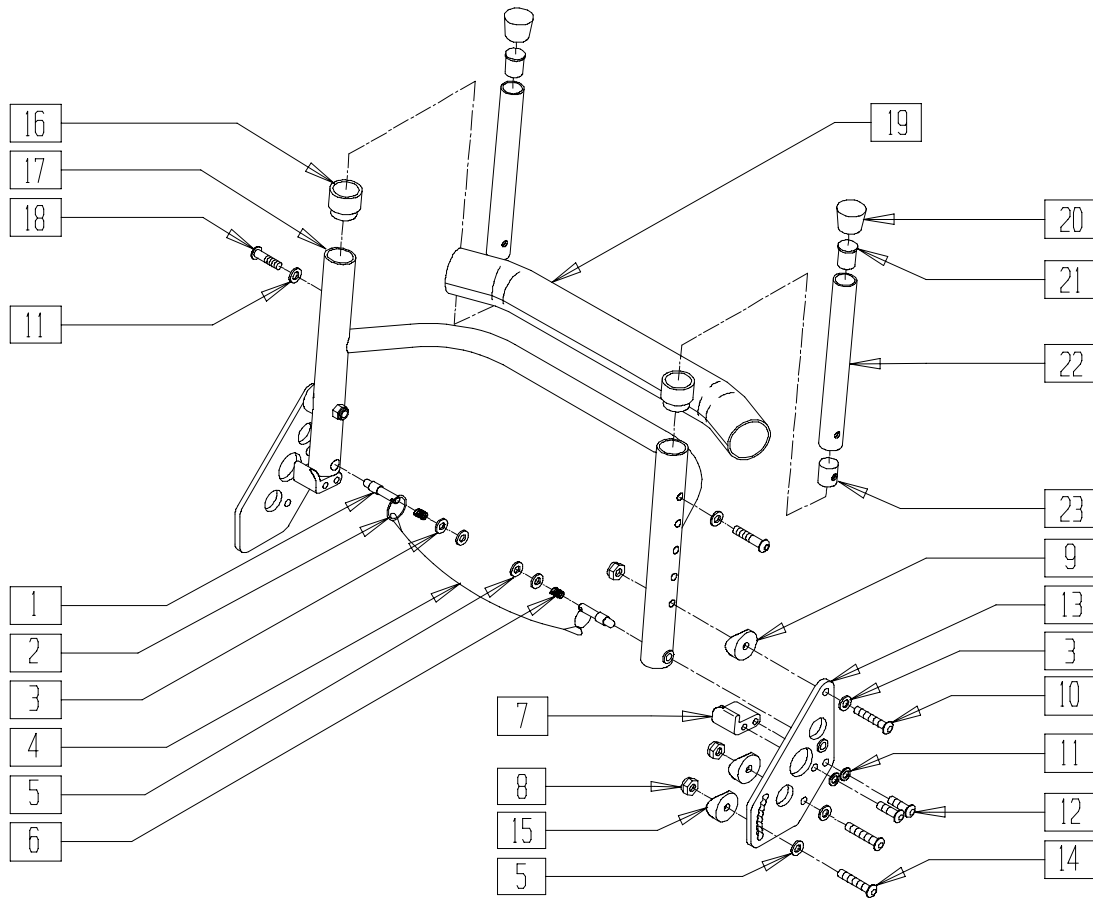


RBV00X17

ITEM	NUMBER	DESCRIPTION	QTY
1	561010	3/4" CAP	2
2	561000-QU	3/4" INSERT PLUG .083	2
4	483001	Q2 FRAME/FOOT RETAINING PLUG	2
5	750751	CROSSBAR PAD	1
6	481221	FOLDING LATCH BUSHING	2
7	226101	1/4-20 x 3/4 BH C/S	2
8	262130	6mm WASHER WAVE	2
9	520213-520230	BACK FRAME (13"-20" HQR)	1
6,9	520413-520430	BACK FRME 13"-20" W/BUSHING HQR	
10	201100-QU	1/4-28 NYLOCK NUT THIN	8

ITEM	NUMBER	DESCRIPTION	QTY
11	561004	1" SADDLE 1/4" HOLE	4
12	262110-QU	1/4 AN WASHER FLAT THIN	8
13	226140	1/4-28 x 1 3/4 BH C/S	4
14	501185, 501186	BACK PLT W/BUSHING HQR (EA)	1
15	226130	1/4-28 x 1 1/2 BH C/S	4
16	561087	BACK REL SADDLE RIGID	4
1-4,6-8	840100-840104	BACK ADJ TUBE RIGID	
10-14	920440, 920441	BACK PLTE FIXED W/HDWR HQR (EA)	

BACKREST ASSEMBLY (FOLDING BACK) (QUICKIE ST/DT)



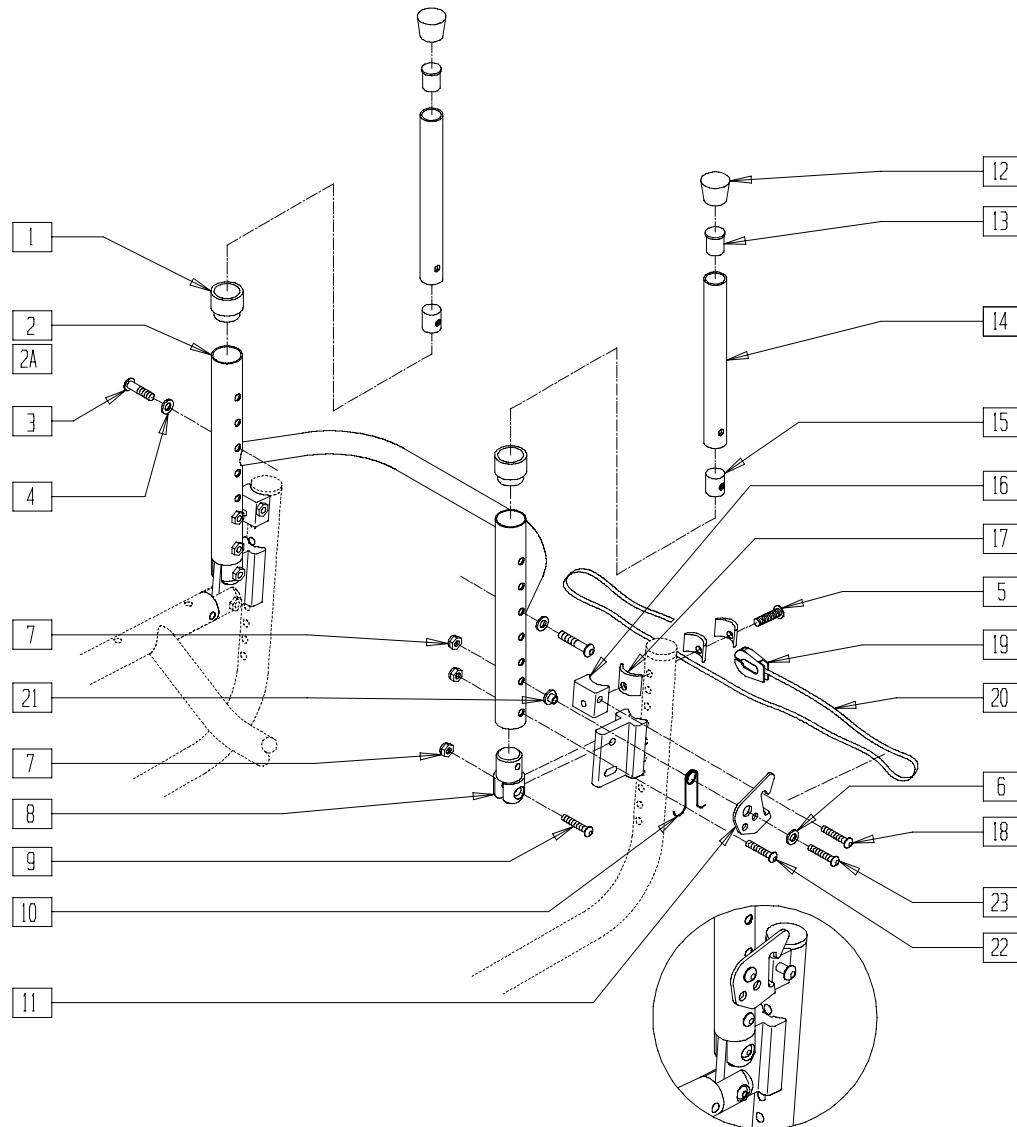
RBY0X18A

ITEM	NUMBER	DESCRIPTION	QTY
1	481223	BACKREST PIN	2
2	342015	LANYARD ATTACH RING	2
3	262100-QU	1/4 AN WASHER FLAT	2
5	262110-QU	1/4 AN WASHER FLAT THIN	6
6	321163	SPRING .300 x 7/8 LONG	2
1-6	881503-881510	BACKREST REL CABLE ASSM	
7	505905, 505906	BACKREST STOP HQR (EA)	1
8	201100-QU	1/4-28 NYLOCK NUT THIN	6
9	561004	1" SADDLE 1/4" HOLE	2
10	226140	1/4-28 x 1 3/4 BH C/S	2
11	262130	6mm WASHER WAVE	4
12	226100	1/4-28 x 3/4 BH C/S	4
13	501185, 501186	BACK PLT W/BUSHING HQR (EA)	1

ITEM	NUMBER	DESCRIPTION	QTY
14	226130	1/4-28 x 1 1/2 BH C/S	4
15	561087	BACK REL SADDLE RIGID	4
16	561082	1" TUBE END BUSHING THIN	2
17	520212	BACK FRAME 12" HQR PACER	1
18	226101	1/4-20 x 3/4 BH C/S	2
19	750751	CROSSBAR PAD	1
20	561010	3/4" CAP	2
21	561000-QU	3/4" INSERT PLUG .083	2
22	840100-840104	BACK ADJ TUBE 8-12 RIGID	
23	483001	Q2 FRAME/FOOT RETAINING PLUG	2
16,17	520413-520430	BACK FRAME 13" - 20" W/BUSHING HQR	
5,7-13	920412, 920413	BCK REL BRKT ASSM FLDG HQR (EA)	
	920442	BCK REL BRKT ASSM FLDG HQR (PR)	

BACKREST (QUICKIE GPS)

(Discontinued 2/01 - parts only)



GBL00X02

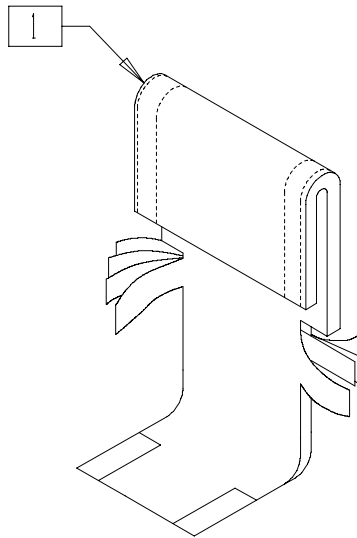
ITEM	NUMBER	DESCRIPTION	QTY
1	561082	1" TUBE END BUSHING THIN	2
2*	840322-840328	BACK FRAME .115 REG BLK 14"-20" W/BACK RELEASE	1
2A*	840332-840338	BACK FRAME .115 TALL BLK 14"-20" W/BACK RELEASE	1
3	226101	1/4-20 x 3/4 BH C/S	2
4	262130	6mm WASHER WAVE	2
5	226140	1/4-28 x 1 3/4 BH C/S	4
6	262100-QU	1/4 AN WASHER FLAT	2
7	201110	1/4-28 NYLOCK NUT	4
8	481043	CLEVIS BACKREST	2
9	226129	1/4-28 x 1 1/4 BH C/S	2
10	321122, 321123	BACK RELEASE SPRING GPS (EA)	1
11	505076, 505077	BACKREST LATCH GPS (EA)	1
12	561010	3/4" CAP	2
13	561000-QU	3/4" INSERT PLUG .083	2
14	840111-840114	BACK ADJ TUBE W/CAP GP (11"-14" THRU 16"-20")	

ITEM	NUMBER	DESCRIPTION	QTY
15	483001	Q2 FRAME/FOOT RETAINING PLUG	2
16	550216	LATCH BLOCK GPS	2
17	550488	BACKREST ADJUSTABLE SPACER GPS	6
18	226130	1/4-28 x 1 1/2 BH C/S	2
19	560221	BACK RELEASE STRAP LOCK RIGID	1
20	750060	BACK RELEASE STRAP 12"-20" RIGID	1
21	481039	BACK RELEASE BUSHING RIGID	2
22	226110	1/4-28 x 1 BH C/S	2
23	226140	1/4-28 x 1 3/4 BH C/S	2
24	262130	6mm WASHER WAVE	2
2,3,11-14	840101-840104	BACK ADJUSTABLE TUBE RIGID 11"-14" - 16"-20"	
5,16-18	842175	LATCH BLOCK W/HARDWARE GPS	
10,11,19-21,23	920355	BACK RELEASE BRCKT ASSM GPS	
2,8,22,24	840360-840366	BACK FRAME ASSEMBLY 14"-20" REG .115 GPS	
2A,8,22,24	840370-840376	BACK FRAME ASSEMBLY 14"-20" TALL .115 GPS	

* P/N 481043 ITEM # 8 REQUIRED WHEN REPLACING BACK FRAME ON GPS CHAIR MANUFACTURED BEFORE 9/08/98.

FOLDING BACK UPHOLSTERY (QUICKIE 1/R2 (RIGID)/TRIUMPH/XTR))

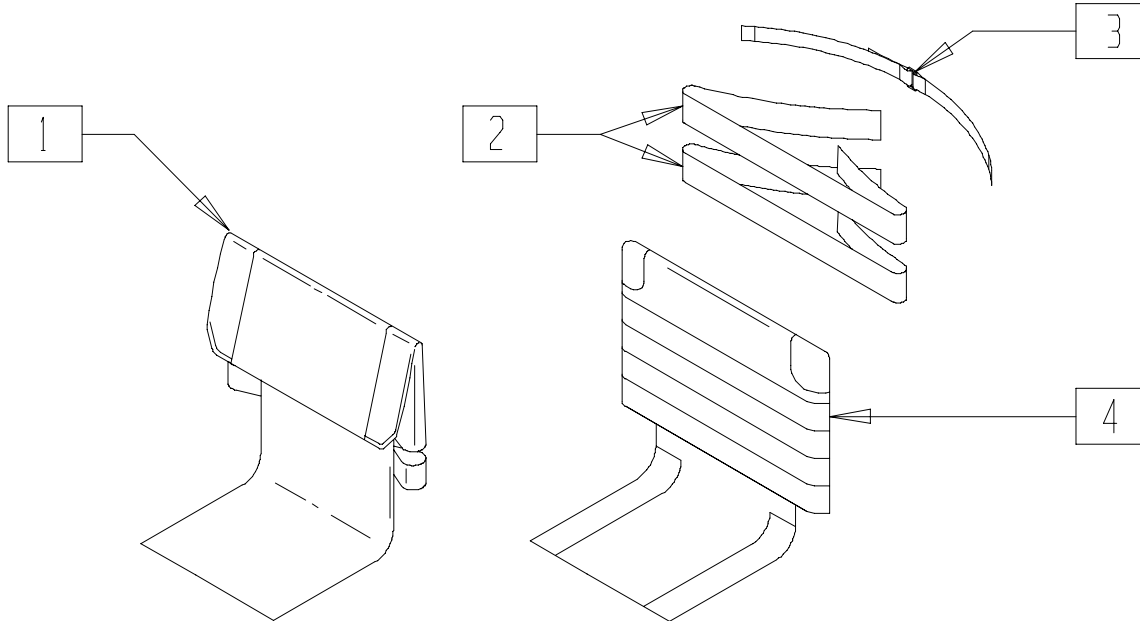
(Quickie GPS and Triumph discontinued 2/01-Parts only.)



BK0X03A

ITEM	NUMBER	DESCRIPTION	QTY
1	680208-680949	BACK UPHOLSTERY 12"-20" W/TAIL 8"-12" 16"-20"	1

BACKREST UPHOLSTERY (QUICKIE ST/DT)



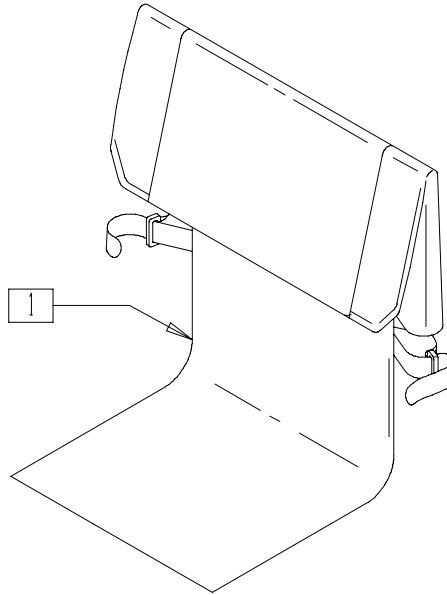
RIGD_UPH1

ITEM	NUMBER	DESCRIPTION	QTY
1	680208, 680301-680909	BACK UPHOLSTERY W/TAIL 14"-20"	1
2	741500	ANKLE/BACK STRAP 3D	1

ITEM	NUMBER	DESCRIPTION	QTY
3	750096	SIDE GRD/BCK STRP (SPECIFY DIM)	1
4	685903-685920	BACK UPH QUICKIE ADJ (12LA - 20SA)	

BACK UPHOLSTERY (QUICKIE TNT/ R2 (ADJUSTABLE))

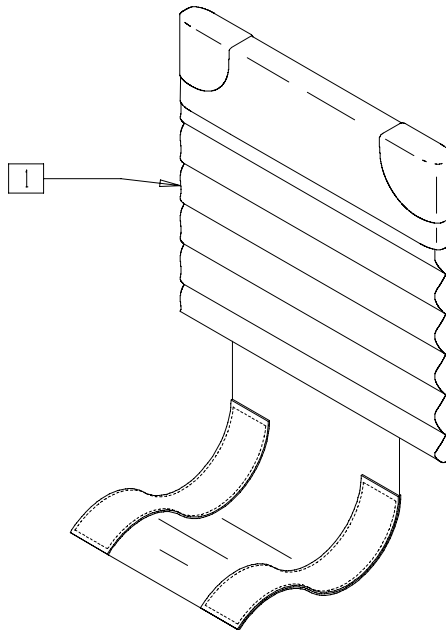
(Quickie TNT discontinued 2/01 - Parts only)



TNT00X14

ITEM	NUMBER	DESCRIPTION	QTY
1	687380-687394	BACK UPHOLSTERY W/TAIL QTNT	1
	687453-687455	BACK UPH 20" W/TAIL R2 8"-18"	

ADJUSTABLE BACK UPHOLSTERY (WITH TAIL AND LEATHER REINFORCEMENT) (QUICKIE ST/DT)



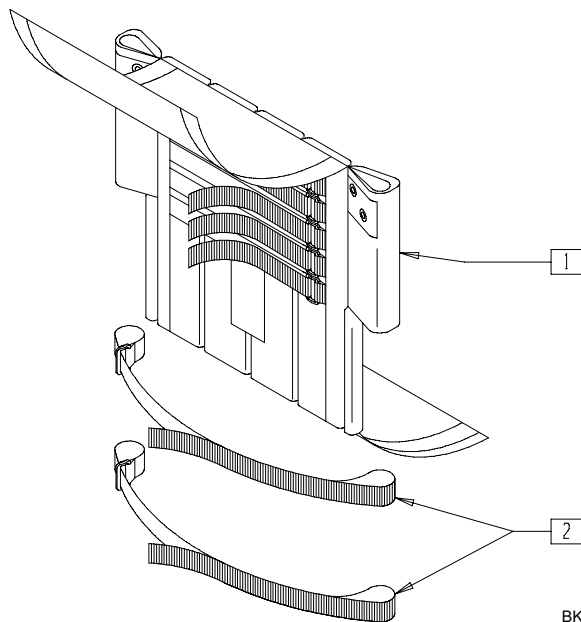
BK0X013

ITEM	NUMBER	DESCRIPTION	QTY
1	685904-685910	BACK UPHOLSTERY QUICKIE ADJUSTABLE SA 14"-20"	1
	685914-685920	BACK UPHOLSTERY QUICKIE ADJUSTABLE MA 14"-20"	

ITEM	NUMBER	DESCRIPTION	QTY
1	685924-685930	BACK UPHOLSTERY QUICKIE ADJUSTABLE LA 14"-20"	1
	685934-685940	BACK UPHOLSTERY QUICKIE ADJUSTABLE X-LA 14"-20"	

TENSION ADJUSTABLE BACK UPHOLSTERY(QUICKIE CARBON/ GPS/TRIUMPH/ST/DT/XTR/R2 (RIGID))

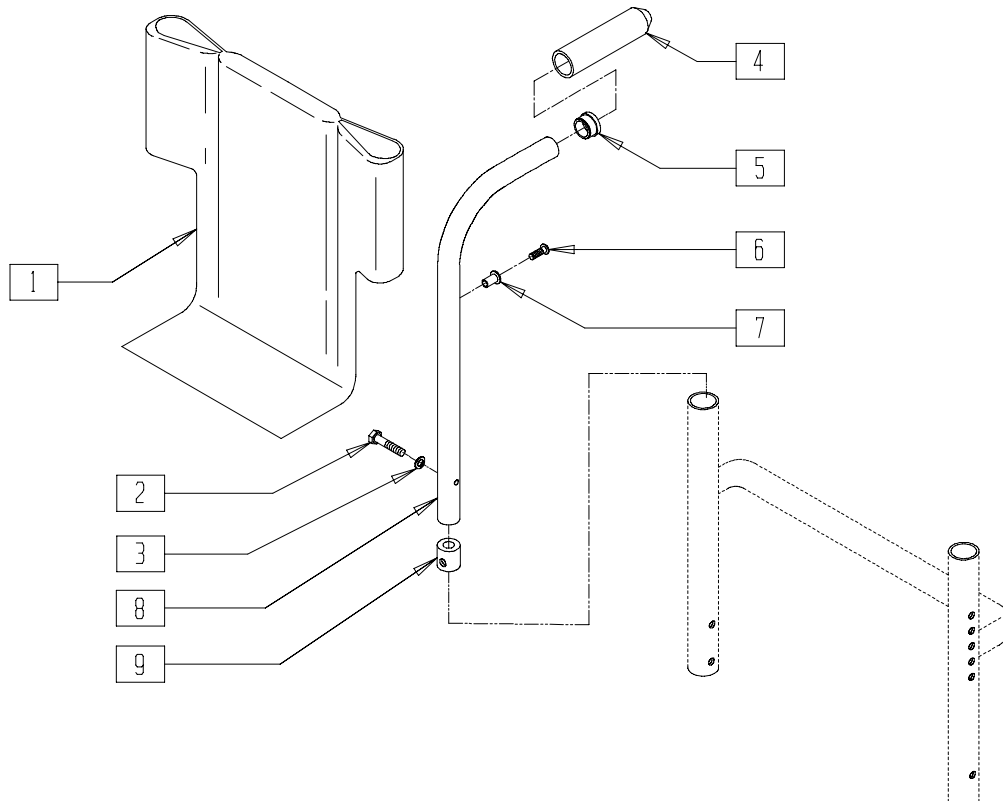
(Quickie GPS and Triumph discontinued 2/01-Parts only)



BK0X09

ITEM	NUMBER	DESCRIPTION	QTY
1,2	684037- 684099	ADJ BACK UPH 14"-20" LOW, MED,TALL	

INTEGRAL PUSH HANDLE BACKREST (QUICKIE XTR/R2 (RIGID))



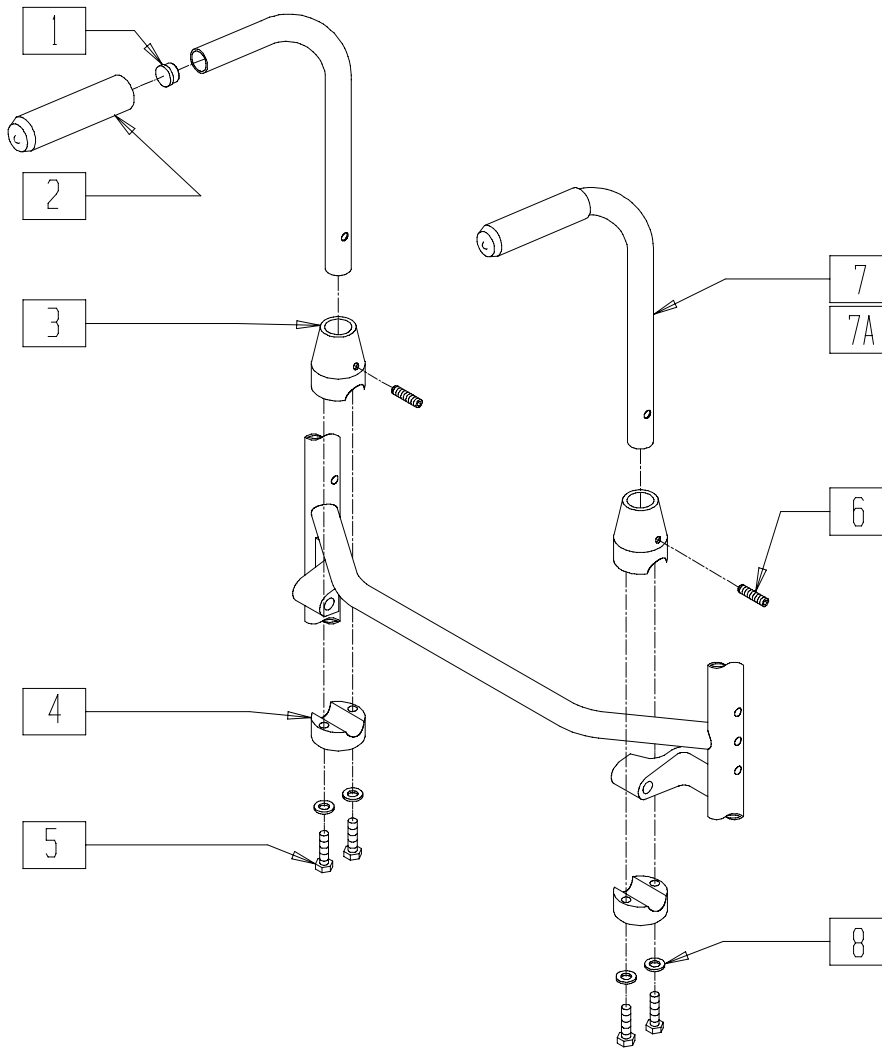
BK00X50B

ITEM	NUMBER	DESCRIPTION	QTY
1	680442-680443	BACK UPH 11-14/12-16 RDG 12"-13"	1
	680454-680460	BACK UPH 11-14/12-16 RDG 14"-20"	
	680462-680470	BACK UPH 14-18 RDG 12"-20"	
	680472-680480	BACK UPH 16-20 RDG 12"-20"	
2	226101	1/4-20 x 3/4 BH C/S	1
3	262130	6mm WASHER WAVE	1

ITEM	NUMBER	DESCRIPTION	QTY
4	560662	QUICKIE GRIP 3/4"	1
5	561000-QU	3/4" INSERT PLUG .083	1
6	281120	10/32 x 5/8 PAN HD PHIL	1
7	341497	10-32 x .020-.130 RIVNUT GOLD	1
9	483001	Q2 FRAME/FOOT RETAINING PLUG	1
4,5,7,8	880096-880099	HT ADJ STROLLER HANDLE W/GRIP	
2-5, 7-9	882196-882199	BACK ADJ PUSH HANDLE 11"-14" - 18"-20"	

BOLT-ON PUSH HANDLE ASSEMBLY (QUICKIE 1/CARBON/R2/TNT/GT)

(Quickie Carbon discontinued 3/1/95 and Quickie TNT discontinued 2/01-Parts only)



TNT00X13

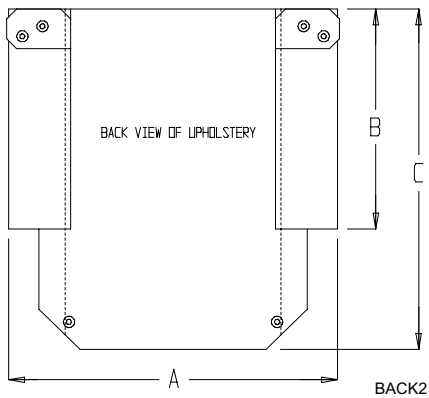
ITEM	NUMBER	DESCRIPTION	QTY
1	561000-QU	3/4" INSERT PLUG .083	2
2	560662	QUICKIE GRIP 3/4"	2
3	483015	PUSH BACK RECEIVER TOP RIGID BLK	2
4	483016	PUSH BACK RECEIVER BOTTOM RIGID BLK	2
5	221126	1/4-20 x 1 1/4 G8 HEX C/S	4
6	225200	1/4-20 x 1 SET SCREW	2
8	262100-QU	1/4 AN WASHER FLAT	4

ITEM	NUMBER	DESCRIPTION	QTY
1,2,7	842161, 842162	PUSH HNDL W/F QTNT/R2	
1,2,7A	842061, 842062	PUSH HNDL TUBE W/F RIGID BLK (EA)	
1-8	900300	PUSH HANDLE ASSM RIGID BLK	
1-7A,8	900301	PUSH HANDLE ASSM QTNT	

BACK UPHOLSTERY MEASURING GUIDES

MEASURING GUIDE

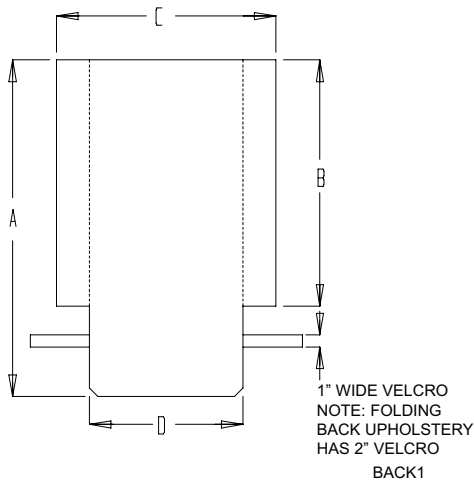
QUICKIE 2/Rx BACK UPHOLSTERY



DESCRIPTION	"A"	"B"	"C"
BACK UPHOLSTERY 12" LOW	12 3/4"	7 1/2"	14 1/4"
BACK UPHOLSTERY 12" MED	12 3/4"	10 1/2"	17 1/4"
BACK UPHOLSTERY 12" TALL	12 3/4"	13 1/2"	20 1/4"
BACK UPHOLSTERY 16" LOW	16 3/4"	7 1/2"	14 1/4"
BACK UPHOLSTERY 16" MED	16 3/4"	10 1/2"	17 1/4"
BACK UPHOLSTERY 16" TALL	16 3/4"	13 1/2"	20 1/4"
BACK UPHOLSTERY 18" LOW	17 3/4"	7 1/2"	14 1/4"
BACK UPHOLSTERY 18" MED	17 3/4"	10 1/2"	17 1/4"
BACK UPHOLSTERY 18" TALL	17 3/4"	13 1/2"	20 1/4"

MEASURING GUIDE

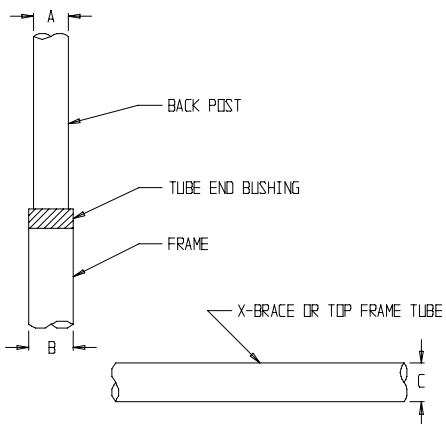
BACK UPHOLSTERY - NON-FOLDING CHAIRS (QUICKIE CARBON/GP/GPV/GPV COMPETITION/Ti)



	NON-FOLDING BACK HEIGHT			
	8"-9"	10"-11"	12"-13"	14"-16"
"A"	19 1/4"	21 1/4"	23 1/4"	25 1/4"
"B"	14 1/4"	16 1/4"	18 1/4"	20 1/4"

	BACK WIDTH			
	12"	13"	14"	15"
"C"	12 1/2"	13 1/2"	14 1/2"	15 1/2"
"D"	8 1/4"	9 1/4"	10 1/4"	11 1/4"

	BACK WIDTH				
	16"	17"	18"	19"	20"
"C"	16 1/2"	17 1/2"	18 1/2"	19 1/2"	20 1/2"
"D"	12 1/4"	13 1/4"	14 1/4"	15 1/4"	16 1/4"



BACKREST AND SEAT TUBE DIAMETER MEASURING GUIDE

This guide will determine the backrest and seat tube diameter of Quickie chairs. Keep this chart with your Quickie Insert Reference Manual and use it when ordering an insert seating system. To use, follow these four easy steps.

1. Choose the appropriate chair.
2. Use the "A" dimension.
3. Use the "B" dimension.
4. Use the "C" dimension.

CHAIR	"A"	"B"	"C"	CHAIR	"A"	"B"	"C"
BREEZY	7/8"	1 1/8"	1"	QUICKIE GP/GPV/Ti	3/4"	1"	1"
QUICKIE 2/HP/HPTi	7/8"	1 1/8"	1"	QUICKIE RECLINER	1"	-	1"
QUICKIE 2 DEPTH ADJ	1"	-	1"	QUICKIE Rx	7/8"	1 1/8"	1"
QUICKIE CARBON	3/4"	1"	-	QUICKIE Ti (NF)	3/4"	-	1"
QUICKIE CARBON (NF)	3/4"	-	-	QUICKIE TS	1"	-	1"
QUICKIE GP (NF)	3/4"	-	1"	ZIPP/ZIPPIE2/ ZIPP/TS	1"	-	1"
QUICKIE GPV (NF)	3/4"	-	1"				

BACK UPHOLSTERY MEASURING GUIDES (CONTINUED)

MEASURING GUIDE BACK FRAME SIZE

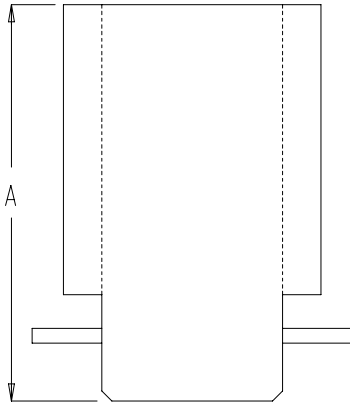


BACK FRAME SIZES			
	8"-12"	11"-14"	12"-16"
"A"=REG SIZE 8"	X	X	X

BACK FRAME SIZES			
	14"-18"	16"-20"	
"A"=TALL SIZE 12"	X	X	

MGUIDE55

MEASURING GUIDE BACK UPHOLSTERY - FOLDING CHAIRS



	FOLDING BACK HEIGHT			
	10"-14"	12"-16"	14"-18"	16"-20"
"A"	19 1/4"	21 1/4"	23 1/4"	25 1/4"

NOTE: NON-FOLDING UPHOLSTERY HAS A 1" TAB AND THE FOLDING UPHOLSTERY HAS A 2" TAB.

BACK3