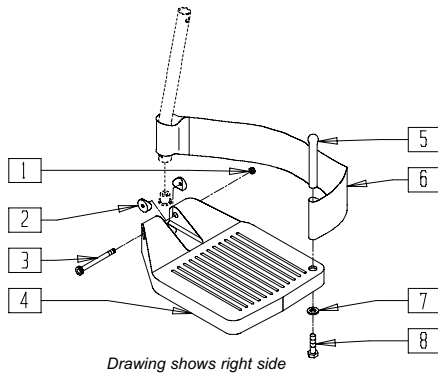


Footrests

IN THIS SECTION

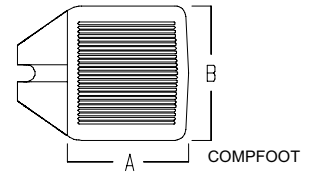
Composite Footplate.....	14.1	Kids Angle-adjustable Footplate Assembly -	
Footrest Extension Tube (Manual) (Disc.).....	14.1	Extension Mount.....	14.10
Footrest Extension Tube (Breezy).....	14.2	Kids Angle-adjustable Footplate Assembly	
Double D Footrest Extension Tube		(70°,80°,90° Front Drilled - Footplate Mount	
(Standard and“V” Hangers) (Disc.).....	14.2	Directly to Hanger - Heavy Duty Hangers).....	14.10
Double D Footrest Extension Tube		Swing-away Footplate (Breezy 100/150).....	14.11
(Standard and“V” Hangers).....	14.3	Heel Loop (Breezy 100/150).....	14.11
Footrest Extension Tube (Clamp-on Hangers)		Extended Footplate - Composite (Disc.).....	14.12
(Breezy) (Disc.).....	14.3	ELR Aluminum Footplate (All Quickie Products) ..	14.13
Footrest Extension Tube (“V” Hangers) (Disc.)	14.4	Footrest (Quickie ST).....	14.14
Footrest Extension.....	14.4	Footrest (Quickie XTR).....	14.15
Foam Footplate.....	14.5	Platform Footrest (Quickie R2).....	14.15
Foam Footplate Reference Guide	14.5	Platform Footrest	
Angle-adjustable Footplate		(Quickie GPS/Revolution/Triumph).....	14.16
(Quickie Chameleon/Chameleon HD)	14.6	Platform Footrest (Quickie DT).....	14.16
Adult Angle-adjustable Footplate	14.7	Platform Footrest (QuickieTNT) (Disc.)	14.17
Adult Angle-adjustable Footplate		Platform Footrest (Quickie Kidz).....	14.17
Reference Guide.....	14.7	High-mount Footrest (Quickie Kidz)	14.18
Adult Angle-adjustable Footplate		Platform Footrest (Quickie XTR).....	14.18
(70°,80°,90° Front Drilled - Footplate Mount		Platform Flip-up Footrest (Quickie Rx,ZippieTS)..	14.19
Directly to Hanger - Heavy Duty Hangers).....	14.8	Platform Flip-up Footrest Reference Guide.....	14.20
Adult Angle-adjustable Footplate - 90°		90° Solid Footboard	14.21
Reference Guide.....	14.8	Contracture Footrest System (Quickie TS).....	14.22
High-mount Extension Tube	14.9	Heel Loop Reference Guide	14.23

COMPOSITE FOOTPLATE



Drawing shows right side

MEASURING GUIDE



PART NUMBER	"A"	"B"
921161	4 1/2"	6"
921162	5 1/2"	6"
921163	6 1/2"	6"

FT0X01

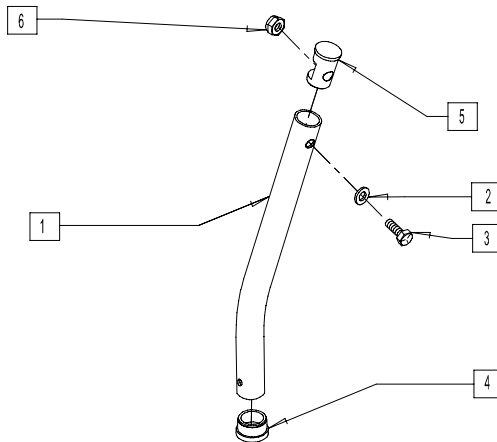
ITEM	NUMBER	DESCRIPTION	QTY
1	201100-QU	1/4-28 NYLOCK NUT THIN	1
2	561003*	3/4" SADDLE THIN	2
3	226165	1/4-28 x 2 1/2 SOC C/S	1
4	561200	CMPST FOOTPLATE 14"-15" (16"-18" "V")	1
	561210	CMPST FOOTPLATE 16"-17" (19"-20" "V")	
	561220	CMPST FOOTPLATE 18"-20"	
5	561040	HEEL LOOP PEG	1
6	741151, 741153	HEEL LOOP 14"-20" CMPST (EA)	1
	902270-902272	HEEL LOOP 14"-20" CMPST (PR)	
	741154-741156	HEEL LOOP 14"-20" CMPST HEMI (EA)	
	902260-902262	HEEL LOOP 14"-20" CMPST HEMI (PR)	
	741210-741212	HEEL LOOP 14"-20" BREEZY (EA)	

ITEM	NUMBER	DESCRIPTION	QTY
6	902290-902292	HEEL LOOP 14"-20" BREEZY (PR)	1
7	262110-QU	1/4 AN WASHER FLAT THIN	1
8	221110	1/4-20 x 1 HEX C/S	1
1,3,4	921180-921185	CMPST FOOTPLATE ASSEMBLY (EA)	
	921151-921153	CMPST FOOTPLATE ASSEMBLY (PR)	
	921190-921195	CMPST FOOTPLATE ASSEMBLY W/HEEL LOOP (EA)	
1,3-8	921161-921163	CMPST FOOTPLATE ASSEMBLY W/HEEL LOOPS (PR)	
	921167-921169	CMPST FOOTPLATE ASSEMBLY HEMI W/HEEL LOOPS (PR)	
	921140-921145	CMPST FOOTPLATE ASSEMBLY HEMI W/HEEL LOOP (EA)	

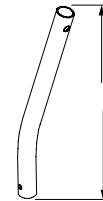
NOTE: ORDER ITEM 2 PRIOR TO 8/13/01

FOOTREST EXTENSION TUBE (MANUAL)

(Discontinued for 60° and 70° Hangers 10/23/99- Parts only)



MEASURING GUIDE



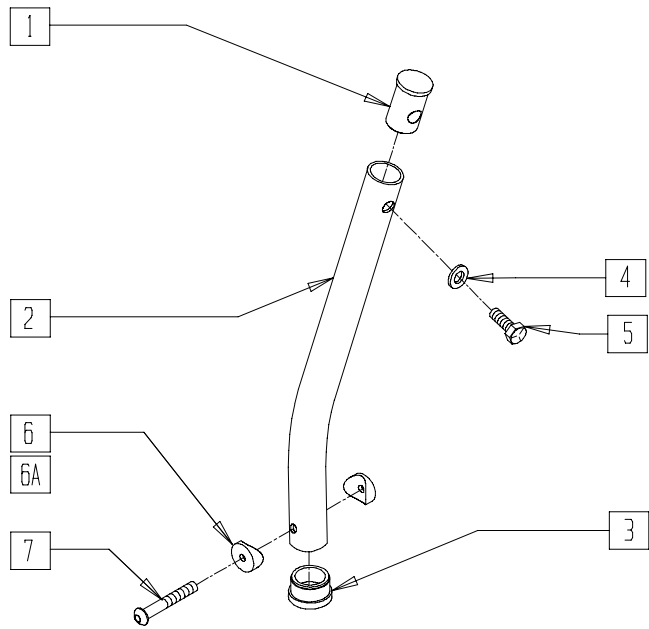
	"A"
SHORT	6 5/8"
MED	9"
LONG	11 5/8"
X-LONG	13 1/2"

FT0X02B

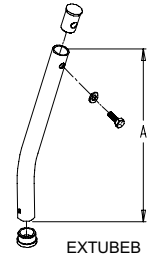
ITEM	NUMBER	DESCRIPTION	QTY
1	521010	FOOTREST EXT TUBE ONLY SHT BLK	1
	521011	FOOTREST EXT TUBE ONLY MED BLK	
	521012	FOOTREST EXT TUBE ONLY LNG BLK	
	521013	FOOTREST EXT TUBE ONLY X-LNG BLK	
2	262130	6mm WASHER WAVE	1
3	221110	1/4-20 x 1 HEX C/S	1

ITEM	NUMBER	DESCRIPTION	QTY
4	561000-QU	3/4" INSERT PLUG .083	1
5	483553	FOOTREST INSERT PLUG Q2	1
6	201136	1/4-20 NYLOCK NUT	1
1-6	921221	FOOTREST EXT TUBE SHT ASSM BLK (EA)	
	921222	FOOTREST EXT TUBE MED ASSM BLK (EA)	
	921223	FOOTREST EXT TUBE LNG ASSM BLK (EA)	
	921224	F/REST EXT TUBE X-LNG ASSM BLK (EA)	

FOOTREST EXTENSION TUBE (BREEZY)



MEASURING GUIDE



	"A"
SHORT	6 5/8"
MED	9"
LONG	11 5/8"
X-LONG	13 1/2"

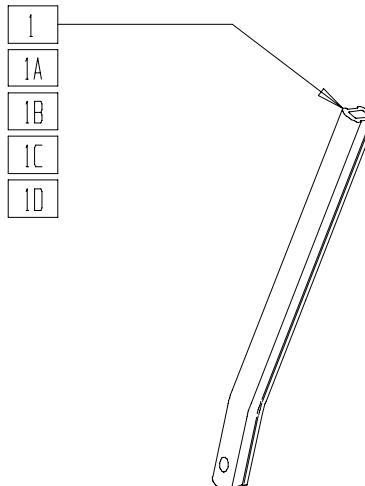
FT0X02E

ITEM	NUMBER	DESCRIPTION	QTY
1	483001	Q2 FRAME/FOOT RETAINING PLUG	1
2	522610	FOOTREST EXT TUBE ONLY SHT	1
	522611	FOOTREST EXT TUBE ONLY MED	
	522612	FOOTREST EXT TUBE ONLY LONG	
	522613	FOOTREST EXT TUBE ONLY X-LONG	
3	560741	3/4" INSERT PLUG RIBBED	1
4	262130	6mm WASHER WAVE	1
5	221110	1/4-20 x 1 HEX C/S	1
6	561003	3/4" SADDLE THIN	2
6A	561055	3/4" SADDLE 1" OD	2

ITEM	NUMBER	DESCRIPTION	QTY
7	226167	1/4-28 X 1.625 BH C/S BLK	1
1-6	921441	FOOTREST EXT TUBE SHT ASSM CLR	
2,4-6	921442	FOOTREST EXT TUBE MED ASSM CLR	
1,2,4-6	921443	FOOTREST EXT TUBE LNG ASSM CLR	
	921444	FOOTREST EXT TUBE X-LNG ASSM CLR	
1-6A,7	921484	F/REST EXT TB SHT ASSM ANG ADJ	
	921485	F/REST EXT TB MED ASSM ANG ADJ	
	921486	F/REST EXT TB LNG ASSM ANG ADJ	
	921487	F/RST EXT TB XLNG ASSM ANG ADJ	

DOUBLE D FOOTREST EXTENSION TUBE (STANDARD AND "V" HANGERS)

(Effective 10/23/99 - discontinued 8/13/01- Parts only)



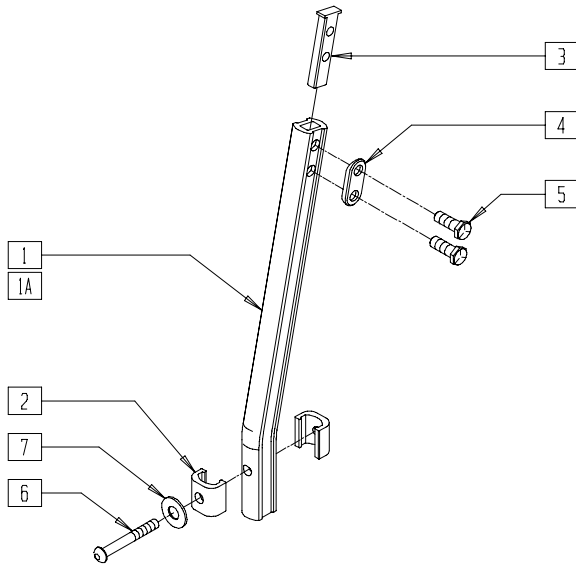
FTEXT01A

ITEM	NUMBER	DESCRIPTION	QTY
1	550764	S/A HANGER EXT D2 SHORT BLK	1
1A	550765	S/A HANGER EXT D2 MED BLK	1
1B	550766	S/A HANGER EXT D2 LONG BLK	1

ITEM	NUMBER	DESCRIPTION	QTY
1C	523135, 523136	FOOTREST EXT TUBE "V" D2 MED (EA)	1
1D	523137, 523138	FOOTREST EXT TUBE "V" D2 LONG (EA)	1

DOUBLE D FOOTREST EXTENSION TUBE (STANDARD AND "V" HANGERS)

(Effective 8/13/01)



MEASURING GUIDE



PGUIDE01

STD	"A"	"V"	"A"
SHORT	7"	SHORT	7"
MED	9 1/2"	MED	9"
LONG	12"	LONG	11"
X-LONG	14"	X-LONG	13"

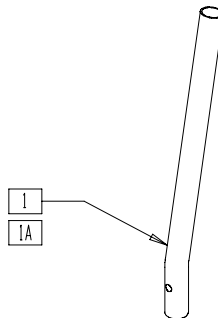
PFT0X04

ITEM	NUMBER	DESCRIPTION	QTY
1	550819	EXT TBE S/A ONLY SHT	1
	550820	EXT TBE S/A ONLY MED	
	550821	EXT TBE S/A ONLY LONG	
	550822	EXT TBE S/A ONLY X-LNG	
1A	550834, 550835	EXT TBE "V" ONLY D2 SHT (EA)	1
	550836, 550837	EXT TBE "V" ONLY D2 MED (EA)	
	550838, 550839	EXT TBE "V" ONLY D2 LNG (EA)	
	550840, 550841	EXT TBE "V" ONLY D2 X-LNG (EA)	
	2	483718	
3	500078	INSERT D2 EXT TUBE	1
4	483717	HANGER SADDLE	1
5	221102	1/4-28 x 3/4 HEX HEAD C/S BLK W/P TCH	2
6	227140	1/4-28 x 1 3/4 BH C/S BLK ZN	1
7	262120	1/4" SAE WASHER	1
1-5	921759	EXT TBE S/A SHT ASSM PCKT	
	921760	EXT TBE S/A MED ASSM PCKT	
	921761	EXT TBE S/A LNG ASSM PCKT	
	921762	EXT TBE S/A X-LNG ASSM PCKT	

ITEM	NUMBER	DESCRIPTION	QTY
1A,2-5	921681, 921682	EXT TBE "V" D2 SHT ASSM (EA)	
	921683, 921684	EXT TBE "V" D2 MED ASSM (EA)	
	921685, 921686	EXT TBE "V" D2 LNG ASSM (EA)	
	921687, 921688	EXT TBE "V" D2 X-LNG ASSM (EA)	
	921772	EXT TBE S/A SHT ANG ADJ PCKT	
1-7	921773	EXT TBE S/A MED ANG ADJ PCKT	
	921774	EXT TBE S/A LNG ANG ADJ PCKT	
	921776	EXT TBE S/A XLNG ANG ADJ PCKT	
	921764, 921765	EXT TB V D2 SHT ANG ADJ PCKT (EA)	
1A,2-7	921766, 921767	EXT TB V D2 MED ANG ADJ PCKT (EA)	
	921768, 921769	EXT TB V D2 LNG ANG ADJ PCKT (EA)	
	921770, 921771	EXT TB V D2 XLNG ANG AD PCKT (EA)	

FOOTREST EXTENSION FOR TUBE CLAMP-ON HANGERS (BREEZY)

(Discontinued - parts only)



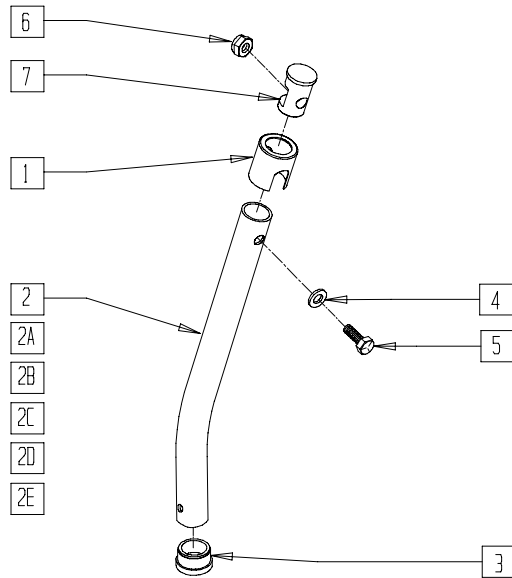
BASIC12

ITEM	NUMBER	DESCRIPTION	QTY
1	521082	FOOTREST EXTENSION TUBE B500/P120	1

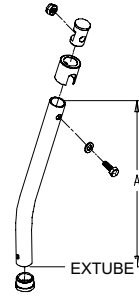
ITEM	NUMBER	DESCRIPTION	QTY
1A	521092	FOOTREST EXTENSION TUBE HEMI BR	1

FOOTREST EXTENSION TUBE ("V" HANGERS)

(Discontinued 10/23/99- Parts only)



MEASURING GUIDE



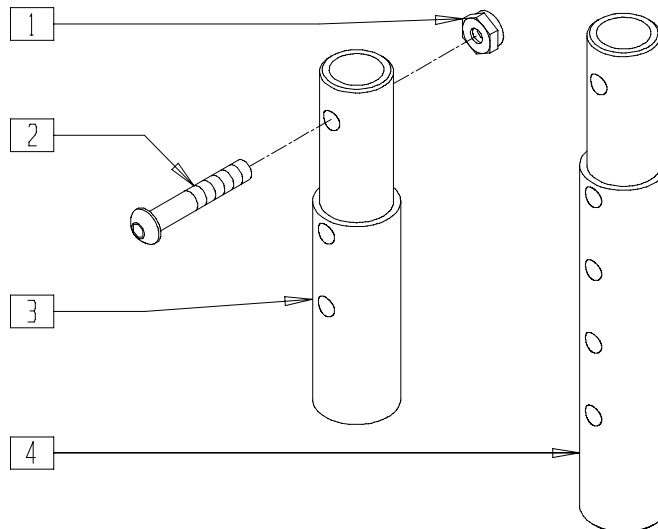
	"A"
SHORT	7"
MED	8 7/8"
LONG	11 3/8"

FT0X02C

ITEM	NUMBER	DESCRIPTION	QTY
1	560750	BUSHING FOOTREST Q2N	1
2	521040	FOOTPLATE EXT TUBE ONLY "V" SHT R	1
2A	521041	FOOTPLATE EXT TUBE ONLY "V" SHT L	1
2B	521042	FOOTPLATE EXT TUBE ONLY "V" MED R	1
2C	521043	FOOTPLATE EXT TUBE ONLY "V" MED L	1
2D	521044	FOOTPLATE EXT TUBE ONLY "V" LNG R	1
2E	521045	FOOTPLATE EXT TUBE ONLY "V" LNG L	1
3	561000-QU	3/4" INSERT PLUG .083	1
4	262130	6mm WASHER WAVE	1

ITEM	NUMBER	DESCRIPTION	QTY
5	221110	1/4-20 x 1 HEX C/S	1
6	201136	1/4-20 NYLOCK NUT HIGH	1
7	483553	FOOTREST INSERT PLUG Q2	1
1-7	921186	"V" FOOTPLATE EXT TUBE SHT R ASSM	
1-2A,3-7	921196	"V" FOOTPLATE EXT TUBE SHT L ASSM	
1-2B,3-7	921187	"V" FOOTPLATE EXT TUBE MED R ASSM	
1-2C,3-7	921197	"V" FOOTPLATE EXT TUBE MED L ASSM	
1-2D,3-7	921188	"V" FOOTPLATE EXT TUBE LNG R ASSM	
1-2E,3-7	921198	"V" FOOTPLATE EXT TUBE LNG L ASSM	

FOOTREST EXTENSION



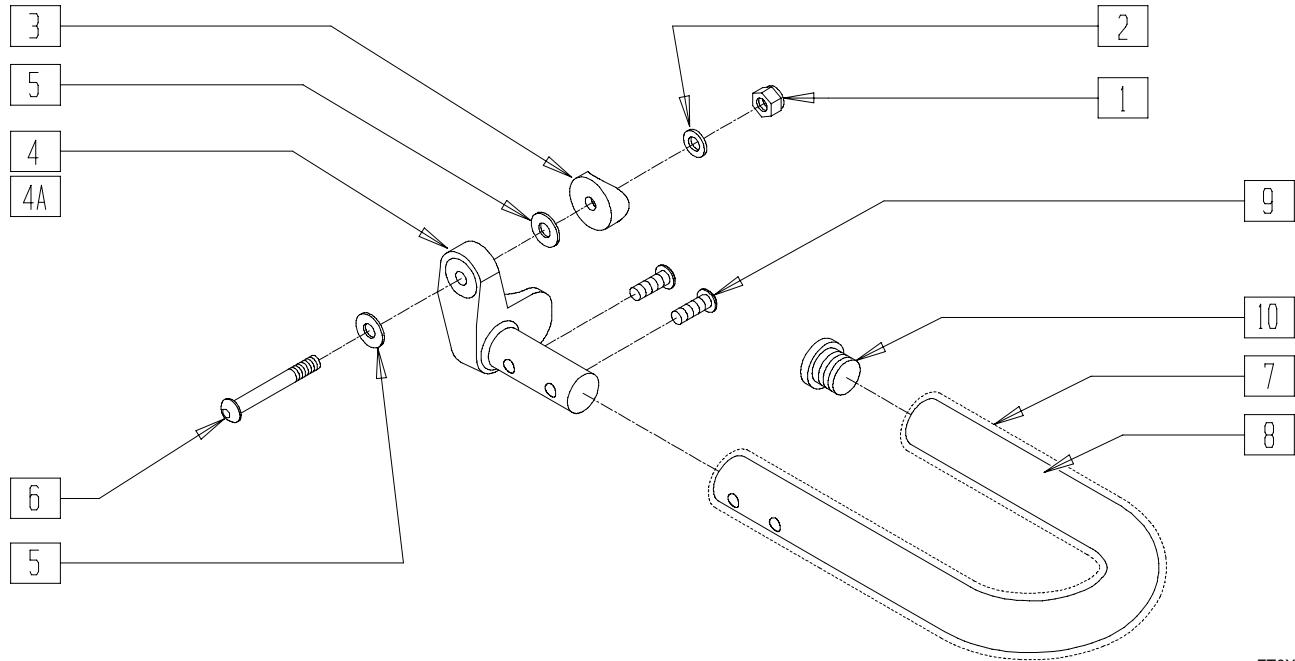
TSR00X07

ITEM	NUMBER	DESCRIPTION	QTY
1	201100-QU	1/4-28 NYLOCK NUT THIN	1
2	226129	1/4-28 x 1 1/4 BH C/S	1
3	500150	2" FOOTREST EXTENSION TUBE	1

ITEM	NUMBER	DESCRIPTION	QTY
4	483051	4" FOOTREST EXTENSION TUBE T45	1
1-3	881403	2" FTRST EXT TUBE W/HDWR ASSEMBLY	
1,2,4	881404	4" FTRST EXT TUBE W/HDWR ASSEMBLY	

FOAM FOOTPLATE

(Effective 8/13/01)



FT0X030A

ITEM	NUMBER	DESCRIPTION	QTY
1	201120	1/4-28 AUTOMATION NUT	1
2	262110-QU	1/4 AN WASHER FLAT THIN	1
3*	561055	3/4" SADDLE 1" OD	1
4	541004, 541005	FTRST MNTG BRKT THREAD-3/8 (EA)	1
5**	262120	1/4" SAE WASHER	1
6***	227140	1/4-28 x 1 3/4 BH C/S BLK ZN	1
7	560650- 560653, 560645	LOOP FOAM FOOTREST COVER	1

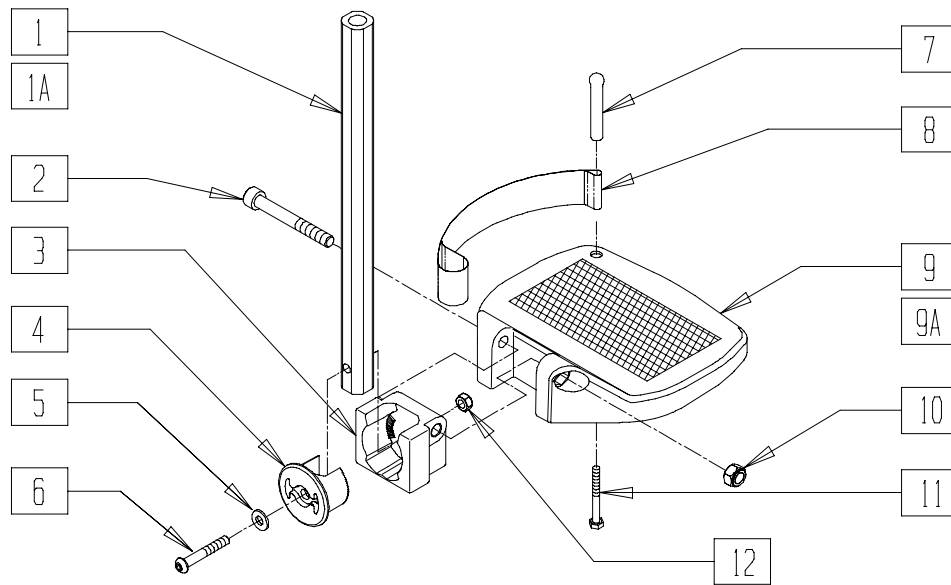
ITEM	NUMBER	DESCRIPTION	QTY
8	522480- 522484	FOOTREST TUBE LOOP	1
9	226168	1/4-28 x .875 BH C/S	2
10	560735	7/8" ROUND TUBE PLUG	1
1,2,4,5, 7-10	820420- 820429	FOOTREST LOOP (EA)	
	921300- 921304	FOOTREST LOOP (PR)	

*NOTE: ORDER ITEM 3 PRIOR TO 8/13/01
 **NOTE: ONLY 1 WASHER PRIOR TO 8/13/01
 ***NOTE: ORDER PART 226167 PRIOR TO 8/13/01

FOAM FOOTPLATE REFERENCE GUIDE

	11"	12"	13"	14"	15"	16"	17"	18"	19"	20"
Loop Style Footrest										
Right Assembly	820420	820422	820422	820424	820424	820426	820426	820428	820428	820428
Left Assembly	820421	820423	820423	820425	820425	820427	820427	820429	820429	820429
Pair Assembly	921300	921301	921301	921302	921302	921303	921303	921304	921304	921304
Loop Style "V" Footrest										
Right Assembly	N/A	N/A	N/A	820420	820422	820422	820424	820424	820426	820428
Left Assembly	N/A	N/A	N/A	820421	820423	820423	820425	820425	820427	820429
Pair Assembly	N/A	N/A	N/A	921300	921301	921301	921302	921302	921303	921304

ANGLE ADJUSTABLE FOOTREST (QUICKIE CHAMELEON/CHAMELEON HD)

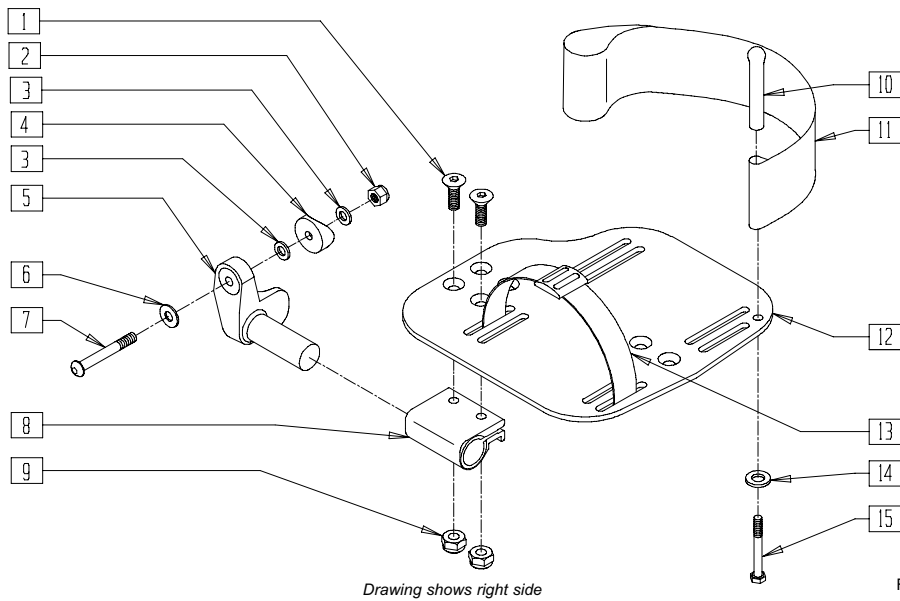


CHAM0X26

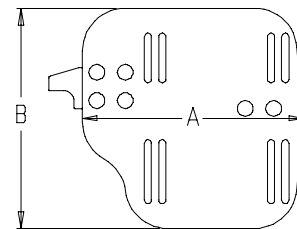
ITEM	NUMBER	DESCRIPTION	QTY
1	C2.2008	TUBE- FOOTREST EXTENSION STND	1
1A	C2.2076	HEMI HANGER EXT TUBE	1
7	561040	HEEL LOOP PEG	
8	741210	HEEL LOOP 14-15 BREEZY	1
10	C2.2026	M8 NYLOC NUT	1

ITEM	NUMBER	DESCRIPTION	QTY
11	9611000916	MA SCRW 1/4-20x1	1
1-12	888206, 888207	ANGLE ADJ SMALL F/PLT ASSY (EA)	
1-9A,10-12	888208, 888209	ANGLE ADJ LARGE F/PLT ASSY (EA)	

ADULT ANGLE-ADJUSTABLE FOOTPLATE



MEASURING GUIDE



MGUIDE17

CHAIR WIDTH	"A"	"B"
10"-11"	3 1/2"	7 1/4"
12"-13"	4 1/2"	7 3/4"
14"-15"	5 1/2"	7 3/4"
16"-17"	6 1/2"	7 3/4"
18"-20"	7 1/2"	7 3/4"

FTOX029

ITEM	NUMBER	DESCRIPTION	QTY
1	226099	1/4-28 x 7/8 FH C/S	2
2	201120	1/4-28 AUTOMATION NUT	1
3	262110-QU	1/4 AN WASHER FLAT THIN	1
4*	561055	3/4" SADDLE 1" OD	1
5	541002, 541003	FOOTREST MNTG BRACKET - 3/8 RAD	1
6**	262120	1/4 SAE WASHER	1
7***	226147	1/4-28 X 1.85 BH C/S BLK ZN	1
8	550350	3/4" CLAMP ADJ FOOTPLATE	1
9	201100-QU	1/4-28 NYLOCK NUT THIN	2
10	561040	HEEL LOOP PEG	1
11	741153, 741253, 741156	HEEL LOOP (EA)	1

ITEM	NUMBER	DESCRIPTION	QTY
12	500656- 500665	ADULT ANGLE ADJUSTABLE FOOTPLATE 12"-20"	1
13	740260	TOE-ANKLE STRAP ADJ ADULT FOOTPLATE	1
14	262110-QU	1/4 AN WASHER FLAT THIN	1
15	221110	1/4-20 x 1 HEX C/S	1
1-3,5-9, 12	820460- 820536	FOOTPLATE ADULT ADJUSTABLE 10"-20" (EA)	1
1-3,5-12 14,15	820461- 820532	FOOTPLATE ADULT ADJUSTABLE HEEL LOOP 10"-20" (EA)	
1-3,5-9, 12	921320- 921466	FOOTPLATE ADULT ADJUSTABLE 10"-20" (PR)	
1-3,5-12, 14,15	921321- 921462	FOOTPLATE ADULT HEEL LOOP 10"-20" (PR)	

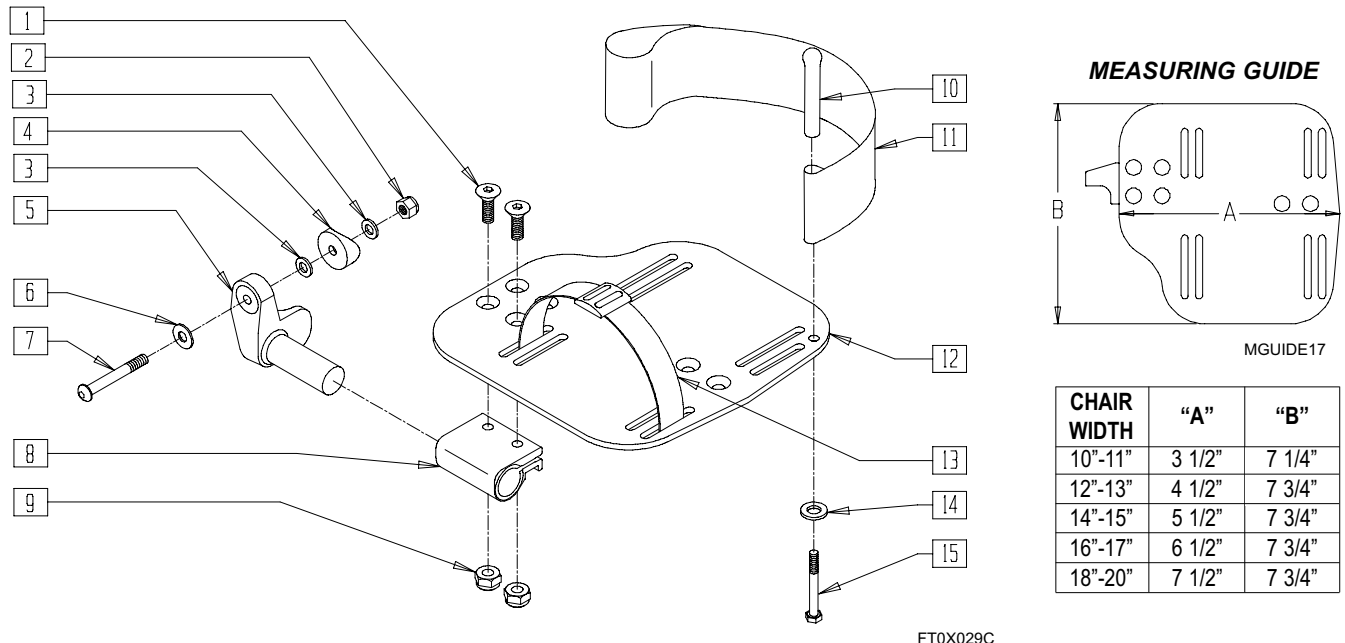
NOTE: FOR HIGH-MOUNT ADULT ANGLE-ADJUSTABLE FOOTPLATE, ORDER HIGH-MOUNT EXTENSION TUBE ON PAGE 14.9.

*NOTE: ORDER ITEM 4 FOR CHAIRS PRIOR TO 8/13/01 **NOTE: ONLY 1 WASHER PRIOR TO 8/13/01 ***NOTE: ORDER PART 226167 PRIOR TO 8/13/01

ADULT ANGLE-ADJUSTABLE FOOTPLATE REFERENCE GUIDE

	10"	11"	12"	13"	14"	15"	16"	17"	18"	19"	20"
Adult Angle-adjustable Footplate											
Right	820524	820524	820526	820526	820460	820460	820464	820464	820468	820468	820468
Right w/HL	820520	820520	820522	820522	820461	820461	820465	820465	820469	820469	820469
Left	820534	820534	820536	820536	820462	820462	820466	820466	820470	820470	820470
Left w/HL	820530	820530	820532	820532	820463	820463	820467	820467	820471	820471	820471
Pair	921464	921464	921466	921466	921320	921320	921322	921322	921324	921324	921324
Pair w/HL	921460	921460	921462	921462	921321	921321	921323	921323	921325	921325	921325
Adult Angle-adjustable "V" Footplate											
Right	N/A	N/A	N/A	N/A	N/A	N/A	820460	820460	820460	820464	820464
Right w/HL	N/A	N/A	N/A	N/A	N/A	N/A	820461	820461	820461	820465	820465
Left	N/A	N/A	N/A	N/A	N/A	N/A	820462	820462	820462	820466	820466
Left w/HL	N/A	N/A	N/A	N/A	N/A	N/A	820463	820463	820463	820467	820467
Pair	N/A	N/A	N/A	N/A	N/A	N/A	921320	921320	921320	921322	921322
Pair w/HL	N/A	N/A	N/A	N/A	N/A	N/A	921321	921321	921321	921323	921323

ADULT ANGLE-ADJUSTABLE FOOTPLATE (70°,80°,90° FRONT DRILLED - FOOTPLATE MOUNT DIRECTLY TO HANGER - HEAVY DUTY HANGERS)



FT0X029C

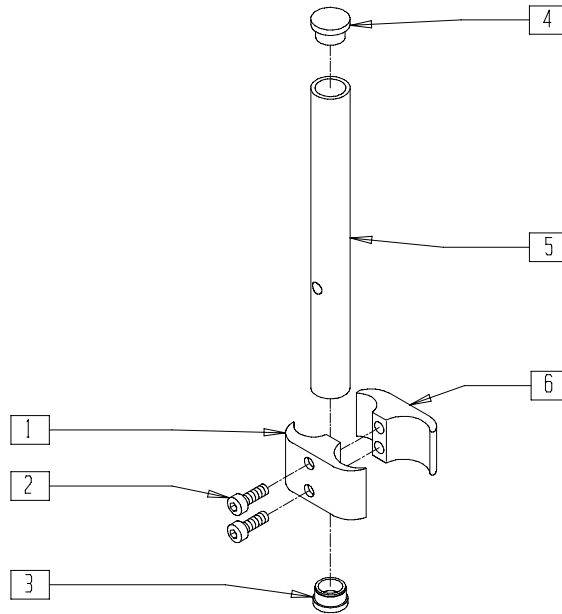
ITEM	NUMBER	DESCRIPTION	QTY
1	226099	1/4-28 x 7/8 FH C/S	2
2	201120	1/4-28 AUTOMATION NUT	1
3	262110-QU	1/4 AN WASHER FLAT THIN	2-3
4	561004	1" SADDLE 1/4" HOLE	1
5	541000, 541001	FOOTREST MNTG BRACKET - 1" RAD	1
6	262120	1/4 SAE WASHER	1
7	226167	1/4-28 x 1.625 BH C/S BLK	1
8	550350	3/4" CLAMP ADJ FOOTPLATE	1
9	201100-QU	1/4-28 NYLOCK NUT THIN	2
10	561040	HEEL LOOP PEG	1
11	741153, 741253	HEEL LOOP (EA)	1

ITEM	NUMBER	DESCRIPTION	QTY
12	500656- 500665	ADULT ANGLE ADJUSTABLE FOOTPLATE 10"-20" (EA)	1
13	740260	TOE-ANKLE STRAP ADJ ADULT FOOTPLATE	1
14	262110-QU	1/4 AN WASHER FLAT THIN	1
15	221110	1/4-20 x 1 HEX C/S	1
1-9,12	820472- 820556	FOOTPLATE ADULT ADJUSTABLE 90° 10"-20" (EA)	
1-12,	820478-	FOOTPLATE ADULT	
14,15	820552	ADJUSTABLE 90° 10"-20" HL (EA)	
1-9,12	921330- 921476	FOOTPLATE ADULT ADJUSTABLE 90° 10"-20" (PR)	
1-12,	921333-	FOOTPLATE ADULT	
14,15	921472	ADJUSTABLE 90° 10"-20" HL (PR)	

ADULT ANGLE-ADJUSTABLE FOOTPLATE - 90° REFERENCE GUIDE

	10"	11"	12"	13"	14"	15"	16"	17"	18"	19"	20"
Right	820544	820544	820546	820546	820472	820472	820474	820474	820476	820476	820476
Right w/HL	820540	820540	820542	820542	820478	820478	820480	820480	820482	820482	820482
Left	820554	820554	820556	820556	820473	820473	820475	820475	820477	820477	820477
Left w/HL	820550	820550	820552	820552	820479	820479	820481	820481	820483	820483	820483
Pair	921474	921474	921476	921476	921330	921330	921331	921331	921332	921332	921332
Pair w/HL	921470	921470	921472	921472	921333	921333	921334	921334	921335	921335	921335

HIGH-MOUNT EXTENSION TUBE

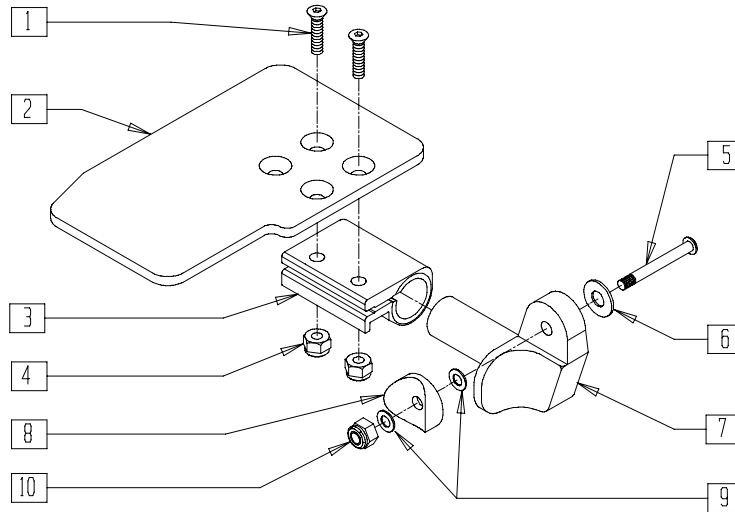


FT0X07

ITEM	NUMBER	DESCRIPTION	QTY
1	550257	CLAMP 1 1/4" RECESS FULL	1
2	226112	1/4-28 x 1 SOC C/S BLK	2
3	561000-QU	3/4" INSERT PLUG .083	1
4	482016	H/M FL FOOT TUBE PLUG	1

ITEM	NUMBER	DESCRIPTION	QTY
5	521100	H/M FL FOOT EXTENSION TUBE	1
6	550258	CLAMP 1 1/4" THREADED	1
1,2,6	880538	HM FR CLAMP ASSEMBLY CLEAR	
1-6	921550	HM FL FOOT CLAMPS AND TUBES (PR)	

KIDS ANGLE-ADJUSTABLE FOOTPLATE ASSEMBLY - EXTENSION MOUNT



FT0X027

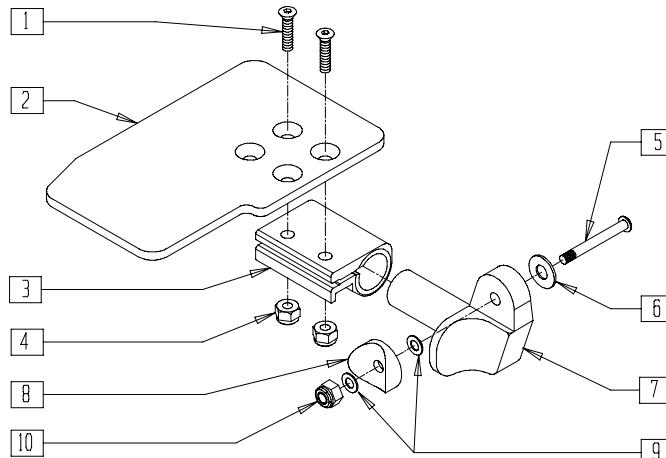
ITEM	NUMBER	DESCRIPTION	QTY
1	226099	1/4-28 x 7/8 FH C/S	2
2	500635-500648	KIDS ANGLE ADJ FOOTPLATE 10"-16" (EA)	1
3	550350	3/4" CLAMP ADJ FOOTPLATE	1
4	201100-QU	1/4-28 NYLOCK NUT THIN	2
5**	227140	1/4-28 X 1.85 BH C/S BLK ZN	1
6	262120	1/4 SAE WASHER	1
7	541002, 541003	FOOTREST MOUNTING BRACKET - 3/8" RADIUS (EA)	1

ITEM	NUMBER	DESCRIPTION	QTY
8*	561055	3/4" SADDLE 1" OD	1
9	262110-QU	1/4 AN WASHER FLAT THIN	2
10	201120	1/4-28 AUTOMATION NUT	1
1-7,9,10	828850-828863	KIDS ANGLE ADJ FOOTPLATE EXTENSION MOUNT 10"-16" (EA)	
	921280-921286	KIDS ANGLE ADJ FOOTPLATE EXTENSION MOUNT 10"-16" (PR)	

*NOTE: ORDER ITEM 8 PRIOR TO 8/13/01

**NOTE: ORDER ITEM 5 PART 226167 PRIOR TO 8/13/01

KIDS ANGLE-ADJUSTABLE FOOTPLATE ASSEMBLY (70°,80°,90° FRONT DRILLED - FOOTPLATE MOUNT DIRECTLY TO HANGER - HEAVY DUTY HANGERS)



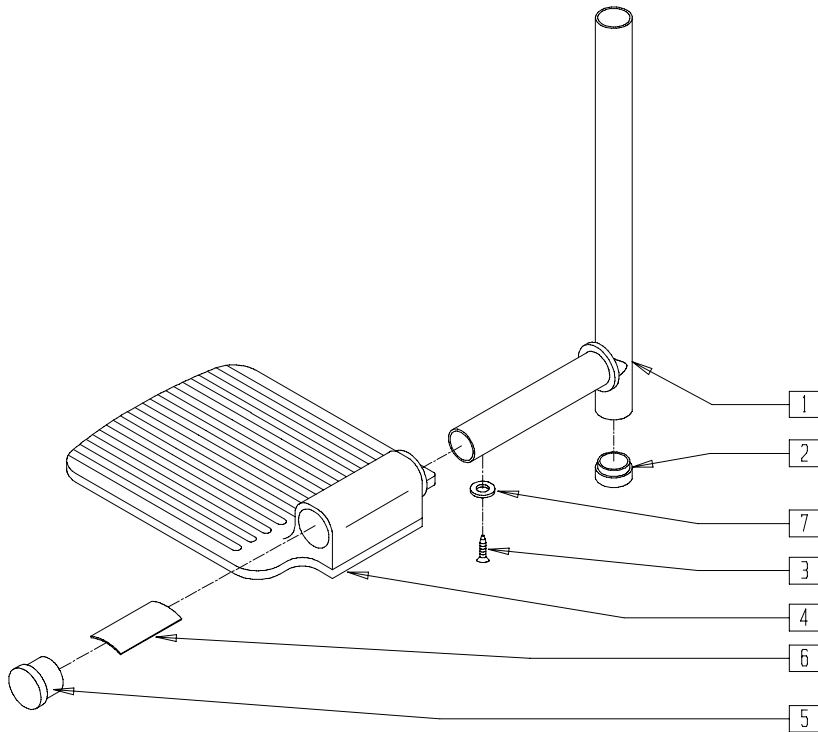
Drawing shows right side

FT0X027

ITEM	NUMBER	DESCRIPTION	QTY
1	226099	1/4-28 x 7/8 FH C/S	2
2	500635-500648	KIDS ANGLE ADJ FOOTPLATE 10"-16" (EA)	1
3	550350	3/4" CLAMP ADJ FOOTPLATE	1
4	201100-QU	1/4-28 NYLOCK NUT THIN	2
5	226150	1/4-28 x 2 BH C/S	1
6	262120	1/4 SAE WASHER	1
7	541000, 541001	FOOTREST MOUNTING BRACKET 1" RAD (EA)	1

ITEM	NUMBER	DESCRIPTION	QTY
8	561004	1" SADDLE 1/4" HOLE	1
9	262110-QU	1/4 AN WASHER FLAT THIN	2
10	201110-QU	1/4-28 NYLOCK NUT	1
1-10	828821-828834	KIDS ANGLE ADJ FOOTPLATE ASSEMBLY 10"-16" (EA)	
	921226-921232	KIDS ANGLE ADJ FOOTPLATE 10"-16" (PR)	

SWING-AWAY FOOTPLATE (BREEZY 100/150)

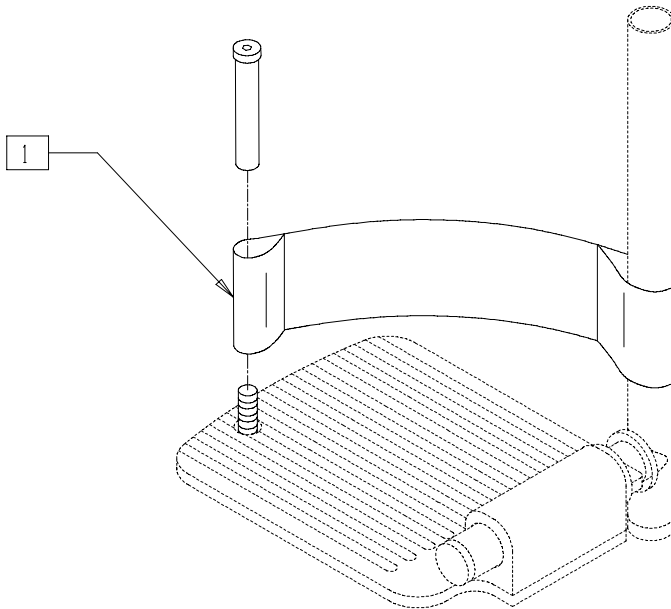


BRZ10X06

ITEM	NUMBER	DESCRIPTION	QTY
1-7	222-0627	SWING-AWAY FOOTREST LOWER ASSEMBLY (EA)	1

ITEM	NUMBER	DESCRIPTION	QTY
4,6	222-0672	COMPOSITE FOOTPLATE W/SPRING (EA)	1

HEEL LOOP (BREEZY 100/150)

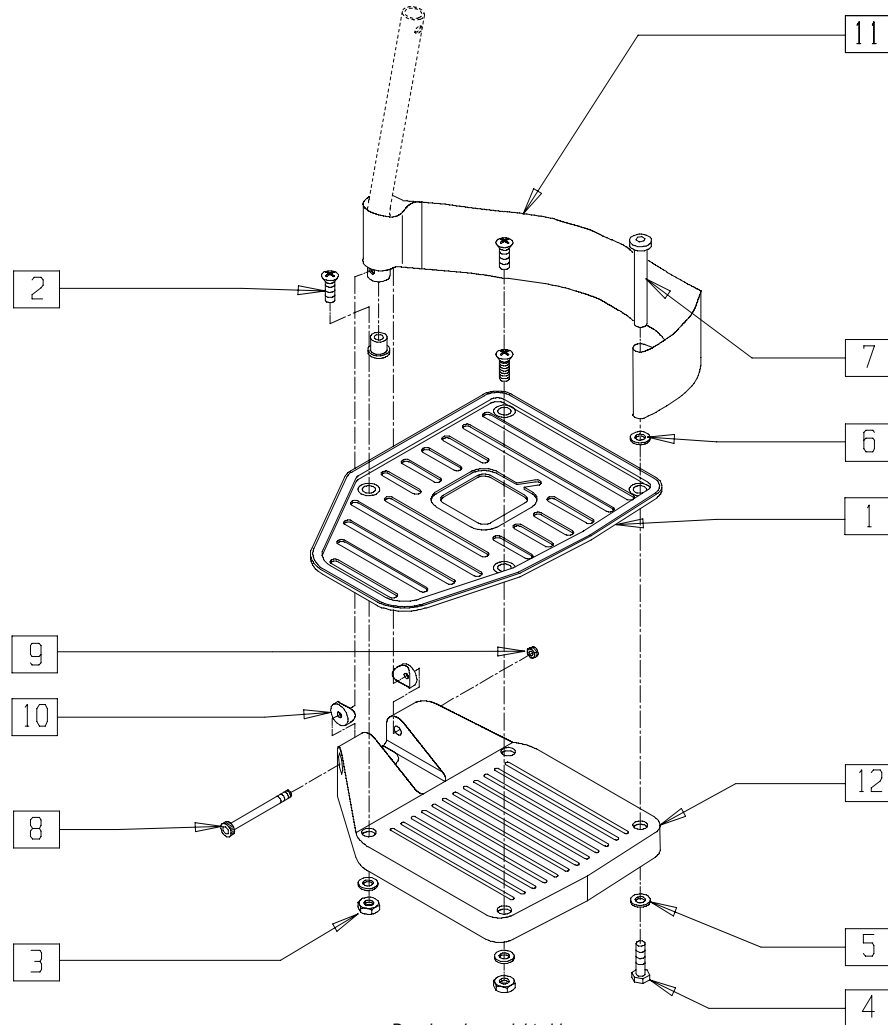


BZ100X14

ITEM	NUMBER	DESCRIPTION	QTY
1	BZ125	HEEL LOOP ASSEMBLY	1

EXTENDED FOOTPLATE - COMPOSITE

(Discontinued - parts only)



Drawing shows right side

FT0X011

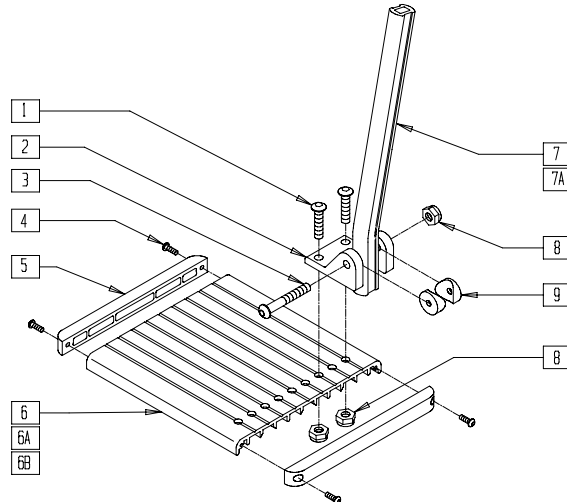
ITEM	NUMBER	DESCRIPTION	QTY
1*	500760-500765	EXTENDED FOOTPLATE 14"-20" (EA)	1
2	226105	1/4-28 x 3/4 FH C/S BLK	3-4
3	201100-QU	1/4-28 NYLOCK NUT THIN	3-4
4	221110	1/4-20 x 1 HEX C/S	1
5	262110-QU	1/4 AN WASHER FLAT THIN	4
6	262110-QU	1/4 AN WASHER FLAT THIN	1
7	561040	HEEL LOOP PEG	1
8	226165	1/4-28 x 2 1/2 SOC C/S	1
9	201100-QU	1/4-28 NYLOCK NUT THIN	1
10	561003	3/4" SADDLE THIN	2
11	741151-741156	HEEL LOOP COMPOSITE OR COMPOSITE HEMI 14"-15" - 18"-20" (EA)	1
	902260-902272	HEEL LOOP COMPOSITE OR COMPOSITE HEMI 14"-15" - 18"-20" (PR)	
12	561200-561220	COMPOSITE FOOTPLATE 14"-20" (EA)	1
1-3,5,8-10,12	828950-828955	EXTENDED FOOTPLATE ASSEMBLY 14"-20" (EA)	
	921030-921032	EXTENDED FOOTPLATE ASSEMBLY 14"-20" (PR)	

ITEM	NUMBER	DESCRIPTION	QTY
1-12	828960-828965	EXTENDED FOOTPLATE ASSEMBLY HL LP 14"-20" (EA)	
	921033-921035	EXTENDED FOOTPLATE ASSEMBLY HL LPS 14"-20" (PR)	
	828970-828975	EXTENDED FOOTPLATE ASSEMBLY HEMI HL LP 14"-20" (EA)	
	921036-921038	EXTENDED FOOTPLATE ASSEMBLY HEMI HP LPS 14"-20" (PR)	
	828900-828905	EXTENDED FOOTPLATE W/HARDWARE 14"-20" (EA)	
	921010-921012	EXTENDED FOOTPLATE W/HARDWARE 14"-20" (PR)	
1-3,5*	828910-828915	EXTENDED FOOTPLATE W/HARDWARE HL LP 14"-20" (EA)	
	921013-921015	EXTENDED FOOTPLATE W/HARDWARE HL LPS 14"-20" (PR)	
1-7,11	828920-828925	EXTENDED FOOTPLATES W/HARDWARE HEMI HL LP 14"-20" (EA)	
	921016-921018	EXTENDED FOOTPLATES W/HARDWARE HEMI HL LPS 14"-20" (PR)	

*NOTE: TO ACCOMMODATE THE EXTENDED FOOTPLATE, THE COMPOSITE FOOTPLATE MUST BE DRILLED IN THE FIELD OR HAVE PRE-EXISTING HOLES.

ELR ALUMINUM FOOTPLATE (ALL QUICKIE PRODUCTS)

(Effective 9/15/2002)



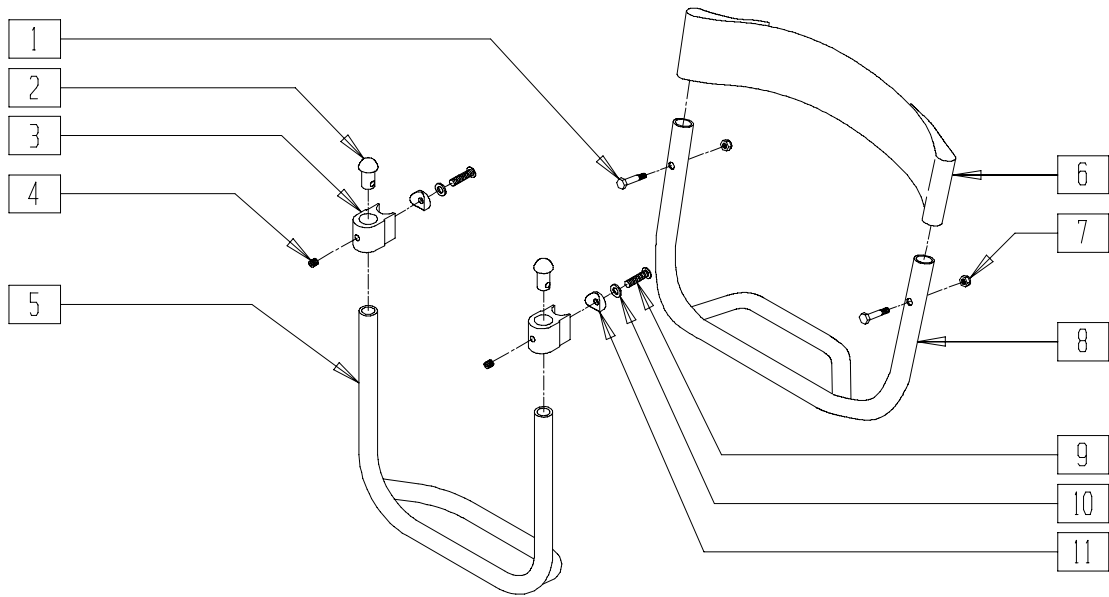
Left Side Assembly Shown

FT0X033

ITEM	NUMBER	DESCRIPTION	QTY
1	226090	1/4-28 x 5/8 BH C/S	2
2	550739	FOOTPLATE MOUNTING BRACKET	1
3	226148	1/4-28 x 1.85 BH C/S	1
4	281043	#4 x 5/8 PAN PHIL S/TAP	4
5	560101	END CAPS FOOTREST	2
6	550748	FOOTPLATE ELR 14"-15"	1
6A	550749	FOOTPLATE ELR 16"-17"	1
6B	550750	FOOTPLATE ELR 18"-20"	1
6C	550795	FOOTPLATE ELR 22"-30"	1
7	550744	FOOTREST EXT TUBE ELR SHT CLR	2
	550745	FOOTREST EXT TUBE ELR LONG CLR	

ITEM	NUMBER	DESCRIPTION	QTY
7A	550764	S/A HANGER EXT D2 SHORT BLACK	2
	550765	S/A HANGER EXT D2 MED BLACK	
8	201100-QU	1/4-28 NYLOCK NUT THIN	3
9	561003	3/4" SADDLE THIN	2
4-6	882337	ELR FOOTPLATE ASSEMBLY 14"-15"	
4,5,6A	882338	ELR FOOTPLATE ASSEMBLY 16"-17"	
4,5,6B	882339	ELR FOOTPLATE ASSEMBLY 18"-20"	
4,5,6C	883157	ELR FOOTPLATE ASSEMBLY 22"-30"	
1-6,8,9	921400	ELR FOOTPLATE KIT 14"-15" (EA)	
1-5,6A,8,9	921401	ELR FOOTPLATE KIT 16"-17" (EA)	
1-5,6B,8,9	921402	ELR FOOTPLATE KIT 18"-20" (EA)	
1-5,6C,8,9	921407	ELR FOOTPLATE KIT 22"-30"	

FOOTREST (QUICKIE ST)

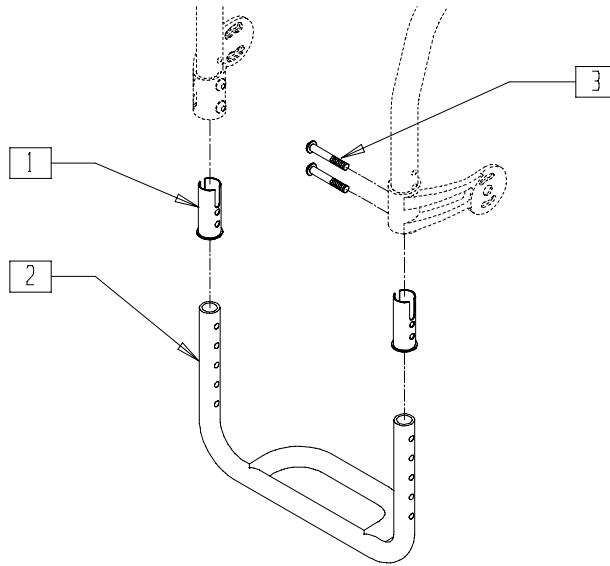


RG000X09

ITEM	NUMBER	DESCRIPTION	QTY
1	226115	1/4 x 20 x 1 HEX C/S SS	2
2	561034	SHORT DOME PLUG	2
3	550382	FOOTREST MOUNTING BRACKET	2
4	225111	1/4-20 x 1/4 SET SCREW SS	2
5	527527	FOOTREST ADJ 12" RIGID SHADOW UP	1
6	740160	CALF STRAP LONG	1
7	201135	1/4-20 NYLOCK NUT LOW SS	2

ITEM	NUMBER	DESCRIPTION	QTY
8	527528, 527680- 527685	FOOTREST RIGID SHADOW 12"-18"	1
9	226115	1/4 x 20 x 1 HEX C/S SS	2
10	261506	1/4 x 1/2 OD WASHER SS	2
11	561003	3/4" SADDLE THIN	2

FOOTREST (QUICKIE XTR)

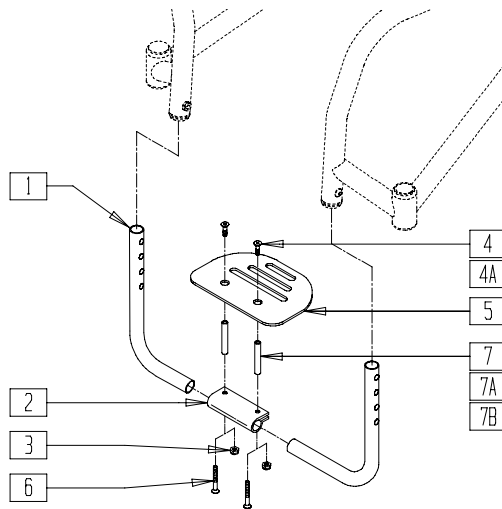


SUS00X26

ITEM	NUMBER	DESCRIPTION	QTY
1	561263	FOOTREST BUSHING	2
2	522170-522176	FOOTREST ONLY 14"-20" XTR	1

ITEM	NUMBER	DESCRIPTION	QTY
2	800180-800186	FOOTREST 14"-20" ASSM XTR W/INSERT	1
3	226079	1/4-28 x 1 1/2 BH C/S BLK W/PATCH	

PLATFORM FOOTREST (QUICKIE R2)



FOOTPLATE REFERENCE GUIDE

	PART NUMBER
14"	500650
15"	500650
16"	500651
17"	500651
18"	500652
19"	500652
20"	500652

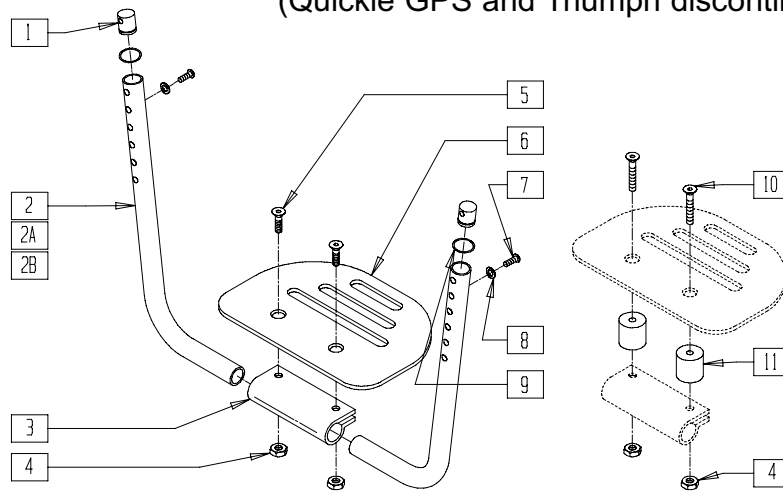
R200X10A

ITEM	NUMBER	DESCRIPTION	QTY
1	522195-522197	FOOTREST TUBE W/INSERTS (14"-20") R2	2
2	550351	PLATFORM FOOTPLATE CLAMP	1
3	201120	1/4-28 AUTOMATION NUT	2
4	226099	1/4-28 x 7/8 FH C/S	2
4A	226121	1/4-20 x 1 FH C/S BLK (2", 4", 6" SPACER)	2

ITEM	NUMBER	DESCRIPTION	QTY
5	500650-500652	PLATFORM FOOTPLATE	1
6	226110	1/4-28 x 1 BH C/S	2
7	481306	ADAPTIVE FOOTREST SPACER 2"	2
7A	481307	ADAPTIVE FOOTREST SPACER 4"	2
7B	481308	ADAPTIVE FOOTREST SPACER 6"	2
1-5	800281-800283	PLATFORM FOOTREST ASSEMBLY (14"-20") R2	

PLATFORM FOOTREST (QUICKIE GPS/REVOLUTION/TRIUMPH)

(Quickie GPS and Triumph discontinued 2/01-Parts only)

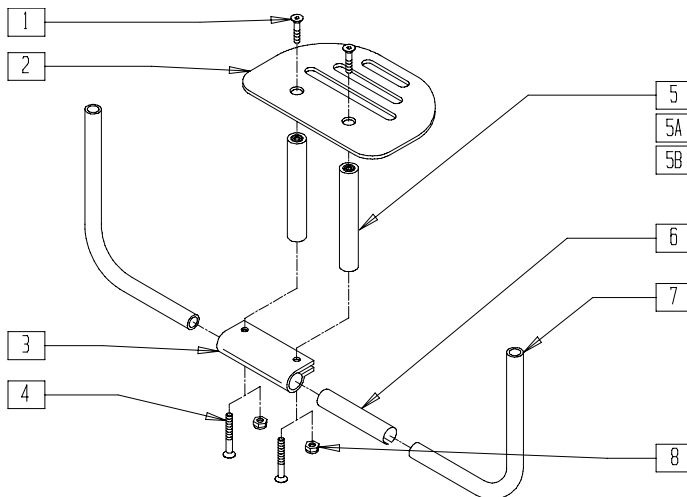


GBL00X6A

ITEM	NUMBER	DESCRIPTION	QTY
1	483032	GPS FOOTREST RETAINING PLUG	2
2	522141-522144	GPS FOOTREST TUBE 14"/15" - 20" (TRIUMPH STD)	2
2A	522166-522169	FOOTREST TUBE 14"/15" - 20" SHORT RV	2
3	550351	PLATFORM FOOTPLATE CLAMP	1
4	201120	1/4-28 AUTOMATION NUT	2
5	226099	1/4-28 x 7/8 FH C/S	2
6	500650	PLATFORM FOOTPLATE 6" x 5 1/2" (14"-15")	1
	500651	PLATFORM FOOTPLATE 8" x 5 1/2" (16"-17")	
	500652	PLATFORM FOOTPLATE 10" x 5 1/2" (18"-20")	
7	226101	1/4-20 x 3/4 BH C/S	2

ITEM	NUMBER	DESCRIPTION	QTY
8	262130	6mm WASHER WAVE	2
9	342013	PLUG O-RING RUBBER HEMI	2
1,9	880585	RETAINING PLUG AND O-RING	
10	226153	1/4-28 x 2 FH C/S BLK	2
11	561180	7/8" PLASTIC SPACER ROUND 1/4" HOLE	2
1-9	880154-880160	GPS/TR PLATFORM FOOTREST ASSEMBLY 14"-20" (GPS/TRIUMPH)	
1,2B,3-9	880141-880144	TRIUMPH PLATFORM FOOTREST ASSEMBLY TALL 14"/15" - 20"	
2A,3-6	880130-880136	RV PLATFORM FOOTREST ASSEMBLY 14"-20" STD (REVOLUTION)	
2-6	880131-880137	RV PLATFORM FOOTREST ASSEMBLY 14"-20" LONG (REVOLUTION)	

PLATFORM FOOTREST (QUICKIE DT)



REFERENCE GUIDE

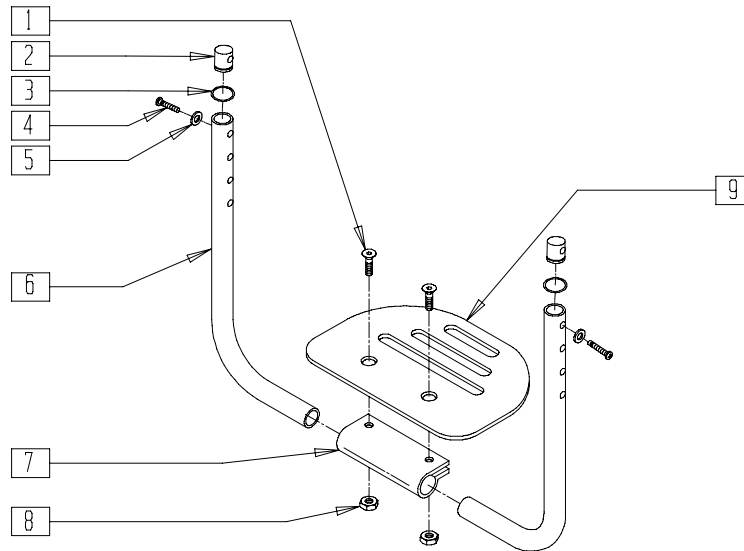
	FOOTPLATE P/N
12"	500649
13"	500649
14"	500650
15"	500650
16"	500651
17"	500651
18"	500652
19"	500652
20"	500652

RG000X10

ITEM	NUMBER	DESCRIPTION	QTY
1	226121	1/4-20 x 1 FH C/S BLK	2
2	500649-500652	PLATFORM FOOTPLATE	1
3,6	881220	PLATFORM F/PLT CLAMP W/SHIM	1
4	221110	1/4-20 x 1 HEX C/S	2
5	481306	ADAPTIVE FOOTREST SPACER 2"	2
5A	481307	ADAPTIVE FOOTREST SPACER 4"	2
5B	481308	ADAPTIVE FOOTREST SPACER 6"	2
7	527885	FOOTREST TUBE DT (QUICKIE DT)	2

ITEM	NUMBER	DESCRIPTION	QTY
8	201136	1/4-20 NYLOCK NUT HIGH	2
1-7	800166-800168	PLATFORM FOOTPLATE W/2" SPACER	
1-4,5A,6,7	800169-800171	PLATFORM FOOTPLATE W/4" SPACER	
1-4,5B,6,7	800172-800174	PLATFORM FOOTPLATE W/6" SPACER	
1-3,6-8	800175-800177	PLATFORM FOOTPLATE DT	

PLATFORM FOOTREST (Quickie TNT) (Quickie TNT discontinued 2/01 - Parts only)

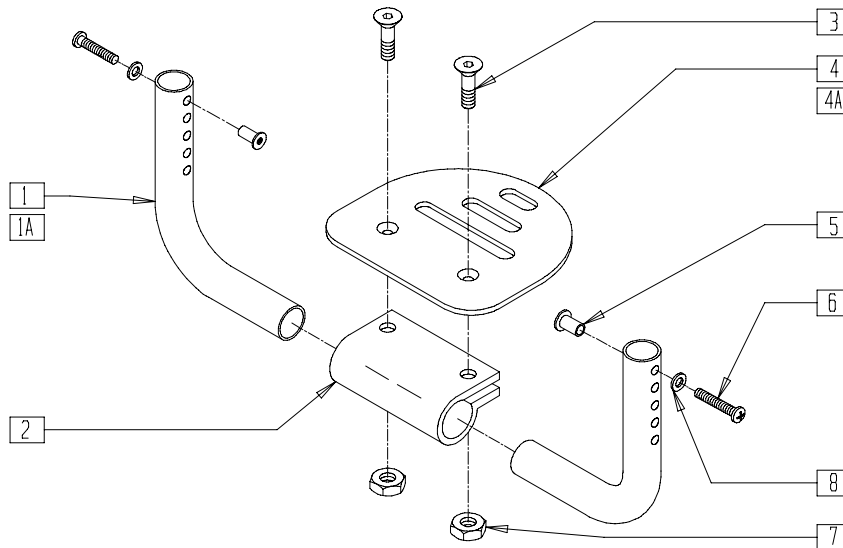


TNT00X11

ITEM	NUMBER	DESCRIPTION	QTY
1	226099	1/4-28 x 7/8 FH C/S	2
2	483032	GPS FOOTREST RETAINING PLUG	2
3	342013	PLUG O-RING RUBBER HEMI	2
2,3	880585	RETAINING PLUG AND O-RING	
4	226120	1/4-20 x 1 BH C/S	2
5	262130	6mm WASHER WAVE	2
6	522247- 522249	FOOTREST TUBE Q7NT	2

ITEM	NUMBER	DESCRIPTION	QTY
7	550351	PLATFORM FOOTPLATE CLAMP	1
8	201120	1/4-28 STOVER NUT	2
9	500650- 500652	PLATFORM FOOTPLATE	1
1-9	800300- 800304	PLATFORM FOOTREST ASSEMBLY Q7NT	

PLATFORM FOOTREST (QUICKIE KIDZ)

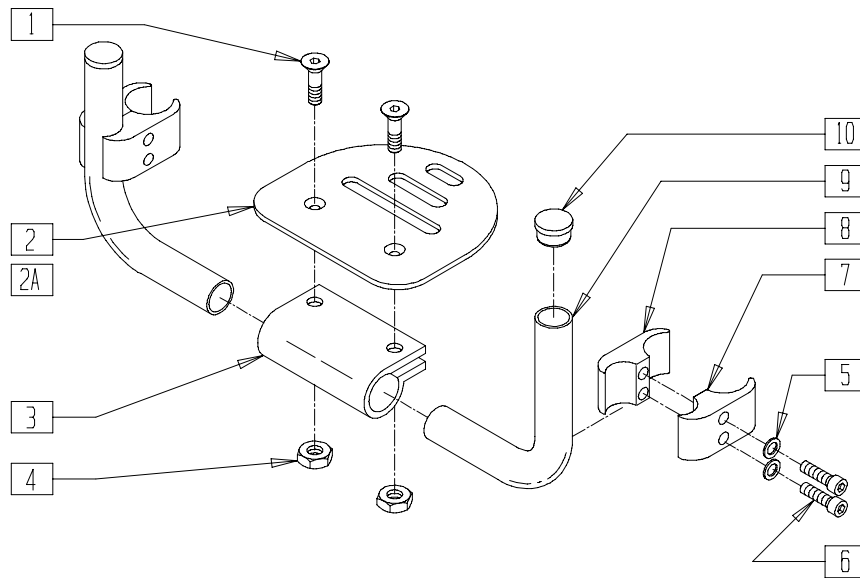


KDZ00X03

ITEM	NUMBER	DESCRIPTION	QTY
1	522116- 522118	KIDZ FOOTREST TUBE REG 10"-11", 14"	2
1A	522145- 522147	KIDZ FOOTREST TUBE LONG 10"-11", 14"	2
2	550351	PLATFORM FOOTPLATE CLAMP	1
3	226099	1/4-28 x 7/8 FH C/S	2
4	500650	PLATFORM FOOTPLATE 6" x 5 1/2" (10"-13")	1
4A	500651	PLATFORM FOOTPLATE 8" x 5 1/2" (14")	1

ITEM	NUMBER	DESCRIPTION	QTY
5	341500	10-32 x .010-.080 RIVNUT	2
6	281140	10-32 x 1 PAN PHIL	2
7	201120	1/4-28 AUTOMATION NUT	2
8	261204	#10 AN WASHER .063	2
1-4,4A, 5-8	800150- 800154	KIDZ REG PLATFORM FOOTPLATE ASSEMBLY 10"-14"	
1A,2-4, 4A,5-8	800155- 800159	KIDZ LONG PLATFORM FOOTPLATE ASSEMBLY 10"-14"	

HIGH-MOUNT FOOTREST (QUICKIE KIDZ)

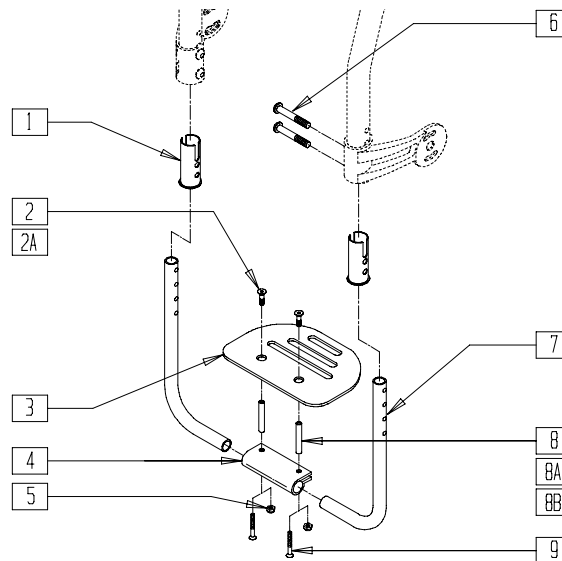


KDZ00X16

ITEM	NUMBER	DESCRIPTION	QTY
1	226099	1/4-28 x 7/8 FH C/S	2
2	500650	PLTFRM FOOTPLATE 6" x 5 1/2" (10"-13")	1
2A	500651	PLTFRM FOOTPLATE 8" x 5 1/2" (14")	1
3	550351	PLTFRM FOOTPLATE CLAMP (SPECIFY BLK)	1
4	201120	1/4-28 AUTOMATION NUT	2
5	262114	1/4 WASHER HI COLLAR LOCK ZN	4
6	226112	1/4-28 x 1 SOC S/C BLK	4

ITEM	NUMBER	DESCRIPTION	QTY
7	550257	CLAMP 1 1/4" RECESS FULL	2
8	550258	CLAMP 1 1/4" THREADED (SPECIFY BLK)	2
9	522106-522108	KIDZ HIGH-MOUNT FOOTREST TUBE 10"-11", 14"	2
10	560762	3/4" INSERT PLUG .065	2
1-10	800160-800164	KIDZ HIGH-MOUNT FOOTPLATE ASSEMBLY 10"-14"	

PLATFORM FOOTREST (QUICKIE XTR)



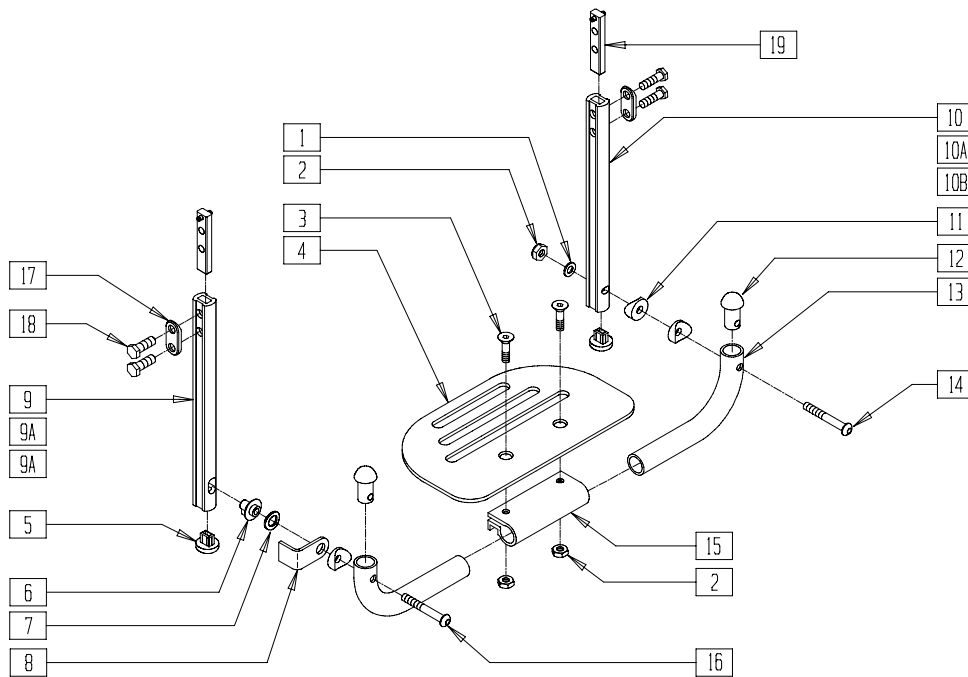
SUS00X40A

ITEM	NUMBER	DESCRIPTION	QTY
1	561263	FOOTREST BUSHING	2
2	226099	1/4-28 x 7/8 FH C/S	2
2A	226121	1/4-20 x 1 FH C/S BLK (2", 4", 6" SPACER)	2
3	500650-500652	PLATFORM FOOTPLATE	1
4	550351	PLATFORM FOOTPLATE CLAMP	2
5	201120	1/4-28 AUTOMATION NUT	2

ITEM	NUMBER	DESCRIPTION	QTY
6	226079	1/4-28 x 1 1/2 BH C/S BLK W/PATCH	4
7	522191-522194	PLATFORM FT TB 14"-20" XTR W/INSERT	2
8	481306	ADAPTIVE FOOTREST SPACER 2"	2
8A	481307	ADAPTIVE FOOTREST SPACER 4"	2
8B	481308	ADAPTIVE FOOTREST SPACER 6"	2
9	226110	1/4-28 x 1 BH C/S	2
2-5,7	800187-800190	PLATFORM FOOTREST ASSEMBLY 14"-20" XTR	

PLATFORM FLIP-UP FOOTREST (QUICKIE Rx/ZIPPIE/ZIPPIE TS)

(Effective 8/13/01)



MEASURING GUIDE



EXTUBE3

	"A"
SHORT	6 3/8"
MEDIUM	8 1/2"
LONG	11"

Q220X13A

ITEM	NUMBER	DESCRIPTION	QTY
1	262110-QU	1/4 AN WASHER FLAT THIN	1
2	201120	1/4-28 AUTOMATION NUT	3
3	226099	1/4-28 x 7/8 FH C/S	2
4*	500650- 500654	PLTFORM F/PLT 6"- 14" x 5 1/2"	1
5	560752	PLUG FOOTREST EXT TUBE Q2 ROUND	2
6	540410	F/UP FOOTREST KEY STUD D2	1
7	262137	3/8 WASHER CURVED	1
8	505078	FOOTREST RETAINING BRACKET	1
9	550828	EXT TBE F/UP KEY ONLY SHT	1
9A	550829	EXT TBE F/UP KEY ONLY MED	1
9B	550830	EXT TBE F/UP KEY ONLY LNG	1
10	550825	EXT TBE F/UP SLT ONLY SHT	1
10A	550826	EXT TBE F/UP SLT ONLY MED	1
10B	550827	EXT TBE F/UP SLT ONLY LNG	
11	561003	3/4" SADDLE THIN	3
12	561034	SHORT DOME PLUG	2
13*	522150- 522162	PLTFRM F/UP F/PLT TUBE 10"- 22"	2
14	226150	1/4-28 x 2 BH C/S	1

ITEM	NUMBER	DESCRIPTION	QTY
15	550351	PLATFORM FOOTPLATE CLAMP	1
16	226131	1/4-28 x 1 1/4 BH C/S SHLDR	1
17	483717	HANGER SADDLE	2
18	221102	1/4-28 x 3/4 HEX C/S	2
19	500078	INSERT D2 EXT TUBE	2
5,10,17-19	921742	EXT TBE F/UP SLT SHT ASSM PCKT	
5,10A,17-19	921743	EXT TBE F/UP SLT MED ASSM PCKT	
5,10B,17-19	921744	EXT TBE F/UP SLT LNG ASSM PCKT	
5,9,17-19	921745	EXT TBE F/UP KEY SHT ASSM PCKT	
5,9A,17-19	921746	EXT TBE F/UP KEY MED ASSM PCKT	
5,9B,17-19	921747	EXT TBE F/UP KEY LNG ASSM PCKT	
5,9,10, 17-19	921269	S/A EXT TUBE D2 SHT PLTFRM BLK	
5,9A,10A, 17-19	921267	S/A EXT TUBE D2 MED PLTFRM BLK	
5,9B,10B 17-19	921268	S/A EXT TUBE D2 LNG PLTFRM BLK	
1-4,6-8, 11-16*	900137- 900149	PLTFM F/P F/PLT BLK ASSM D2 (10"-22")	

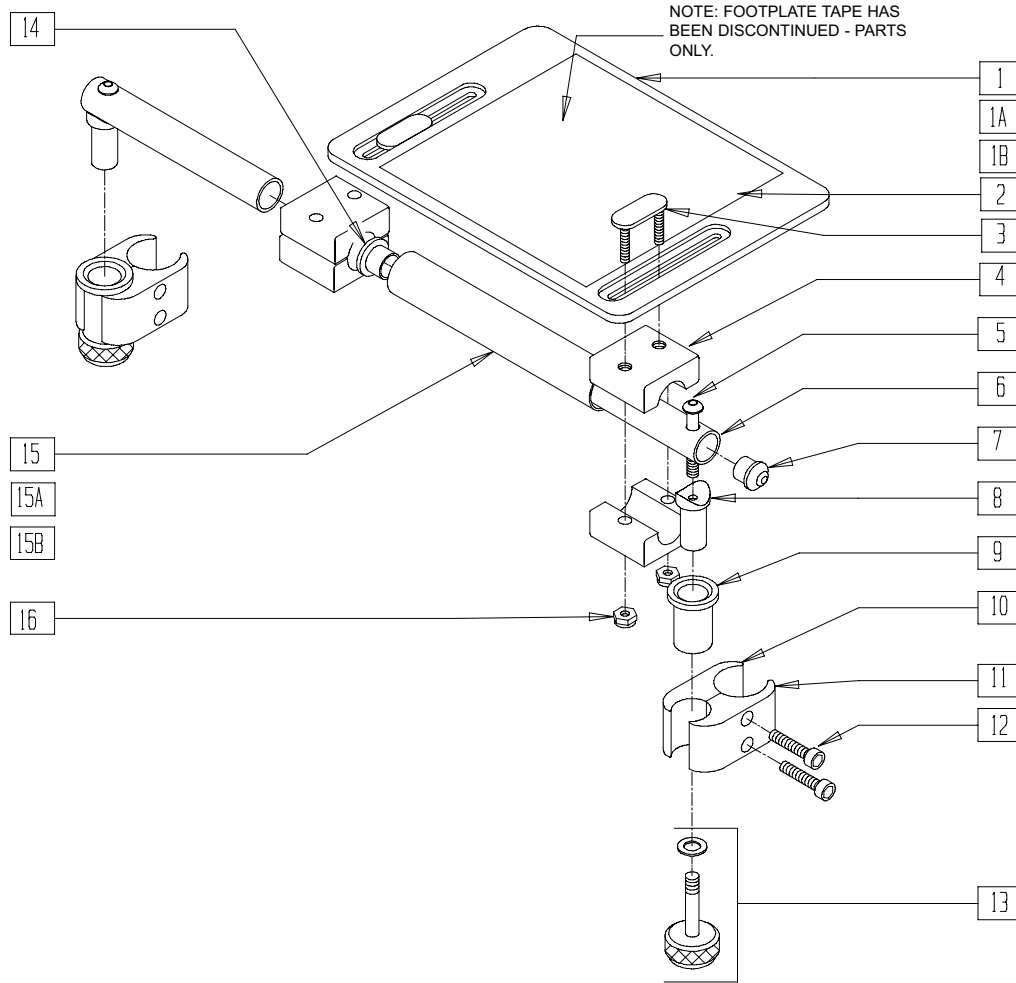
* FOR ORDERING INFORMATION, PLEASE SEE PLATFORM FLIP-UP FOOTREST REFERENCE GUIDE ON PAGE 14.30.

PLATFORM FLIP-UP FOOTREST REFERENCE GUIDE

	10"	11"	12"	13"	14"	15"	16"	17"	18"	19"	20"	21"	22"
S/A Reg. (Quickie GP 70°, GP S/A, 2, LX,LXI Recliner, Rx, TS, Zippie, Zippie 2, Zippie GS,TS Swing-away)													
Platform Footplate	500650	500650	500651	500651	500651	500652	500652	500652	500653	500653	500653	500653	500653
Platform Tube	522150	522151	522152	522153	522154	522155	522156	522157	522158	522159	522160	522161	522162
Platform Assembly - (Round Extensions)	900150	900151	900152	900153	900154	900155	900156	900157	900158	900159	900160	900161	900162
Platform Assembly - ("D" Extrusions)	900137	900138	900139	900140	900141	900142	900143	900144	900145	900146	900142	900148	900149
GPV Rigid (Quickie GPV, GPV Competition, GPV Titanium)													
Platform Footplate	N/A	N/A	N/A	N/A	500650	500650	500651	500651	500651	500652	500652	N/A	N/A
Platform Tube	N/A	N/A	N/A	N/A	522150	522151	522152	522153	522154	522155	522156	N/A	N/A
Platform Assembly	N/A	N/A	N/A	N/A	900150	900151	900152	900153	900154	900155	900156	N/A	N/A
S/A "V" (Quickie 2, GP S/A, LX, Recliner, Rx, TS)													
Platform Footplate	N/A	N/A	N/A	500650	500650	500651	500651	500651	500652	500652	500652	500653	500653
Platform Tube	N/A	N/A	N/A	522150	522151	522152	522153	522154	522155	522156	522157	522158	522159
Platform Assembly - (Round Extensions)	N/A	N/A	N/A	900150	900151	900152	900153	900154	900155	900156	900157	900158	900159
Platform Assembly - ("D" Extrusions)	N/A	N/A	N/A	900137	900138	900139	900140	900141	900142	90043	900144	900145	900146

NOTE: FOOTREST EXTENSION TUBES ARE NOT INCLUDED IN THESE ASSEMBLIES. SEE NUMBERS 921242-921248, 921267, AND 921268 ON PAGES 14.27 AND 14.29.

90° SOLID FOOTBOARD



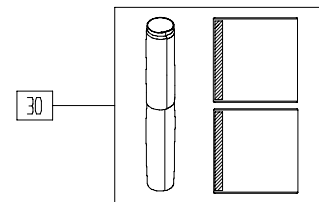
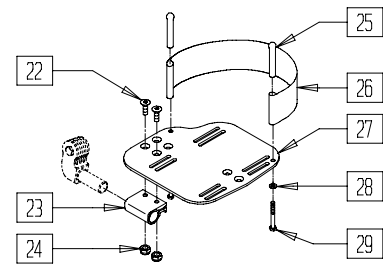
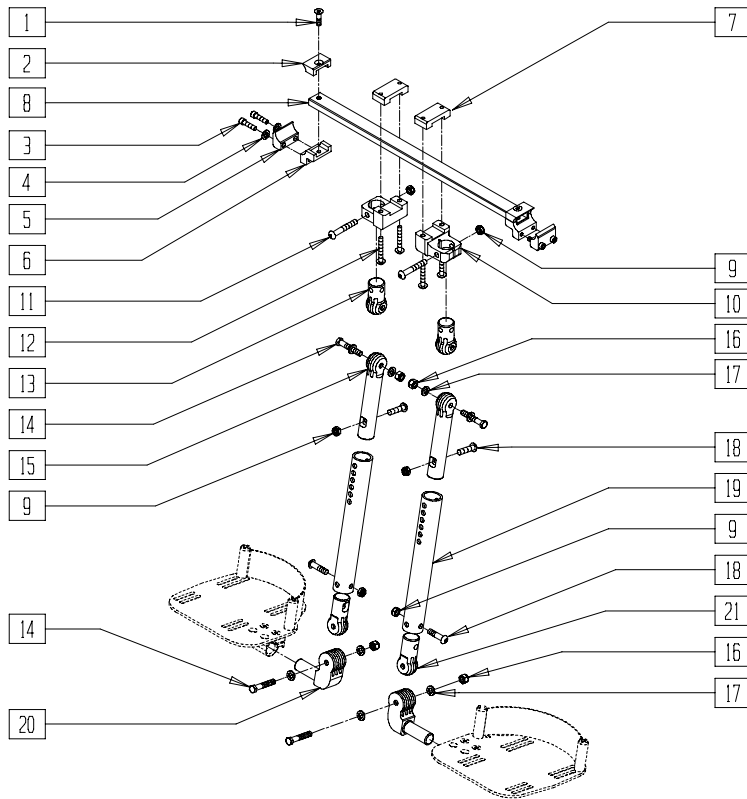
FT0X016

ITEM	NUMBER	DESCRIPTION	QTY
1	562610	SLD FOOTPLATE ONLY 8" x 8" (10"-12" W)	1
1A	562612	SLD FOOTPLATE ONLY 10" x 8" (13"-14" W)	1
1B	500709	SLD FT PLT ALUM ONLY 12" x 8" (15"-16" W)	1
2	562830	SLD FOOTPLATE TAPE 12" x 8"	1
3	330120	SLD FT/ANGLE ADJ DOUBLE T BOLT	2
4	550444	SOLID FOOT/ANG ADJ CLAMP BLK	4
5	226130	1/4-28 x 1 1/2 BH C/S	2
6	521623	SOLID FT PIVOT TUBE BLK	2
7	561034	SHORT DOME PLUG	2
8	483236	SOLID FOOT INSERT SADDLE BLK	2
10	550658	CLAMP 1 1/4" THREADED BLK	2
11	550657	CLAMP 1 1/4" RECESS FULL BLK	2
12	226112	1/4-28 x 1 SOC C/S BLK	4

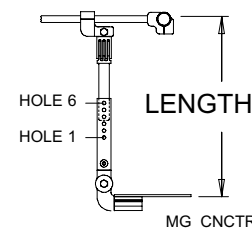
ITEM	NUMBER	DESCRIPTION	QTY
9,13	880559	SOLID FOOT LOCK KNOB ASSEMBLY	
14	560402	3/4" ID NY-LINER	2
15	521621	SLD FOOT SUPPORT TUBE BLK 10"-12"	1
15A	521622	SLD FOOT SUPPORT TUBE BLK 13"-14"	1
15B	521624	SLD FOOT SUPPORT TUBE BLK 15"-16"	1
16	201105	1/4-20 NYLOCK NUT THIN	4
5-8	880183	SLD FT PLT PIVOT TUBE SUB-ASSM	
1,3-16	921801	SLD FT PLT ASSEMBLY 8" x 8" (10"-12" W)	
1A,3-14	921803	SOLID FOOTPLATE ASSEMBLY 10" x 8" (13"-14" W)	
15A,16			
1B,3-14, 15B,16	921805	SOLID FOOTPLATE ASSEMBLY 12" x 8" (15"-16" W)	

CONTRACTURE FOOTREST SYSTEM (QUICKIE TS)

(Effective 4/30/01)



MEASURING GUIDE



HOLE NUMBER	SHORT	REG	LONG
1	10.62"	12.62"	14.62"
2	11.12"	13.12"	15.12"
3	11.62"	13.62"	15.62"
4	12.12"	14.12"	16.12"
5	12.62"	14.62"	16.62"
6	13.12"	15.12"	17.12"

QTS30X08

ITEM	NUMBER	DESCRIPTION	QTY
1	226259	1/4-28 x 1 FLAT HD C/S BLK	2
2	500524	CONTRACTURE CLAMP TOP	2
3	226112	1/4-28 x 1 SOC C/S BLK	4
4	262114	1/4 WASHER HI COLLAR LOCK ZN	4
5	550667	CONTRACTURE CLAMP RECESSED	2
6	550668	CONTRACTURE CLAMP THREADED	2
7	550465	CLAMP TOP QTS	2
8	524500-524506	CNTRCT FRM FT/RST TUBE (14" - 20") QTS	1
9	202116	5/16-18 NYLOCK NUT THIN BLK	6
10	483180	OFFSET CLAMP BODY QTS	2
11	226198	5/16-18 x 2 BH C/S SHT THREAD	2
12	227140	1/4-28 x 1 3/4 BH C/S BLK ZN	4
13	483191	EXTERIOR LOCKING JOINT QTS	2
14	222235	5/16-18 x 1 3/4" HEX C/S BLK	4
15	503005	ADJUSTMENT LOCKING JOINT	2
16	202117	5/16-18 NYLOCK NUT THICK BLK	4
17	265103	5/16 WASHER MED BLK LK SPLT	8
18	222109	5/16-18 x 1-1/4" BH C/S BLK ZN	4
19	524041	SHORT CNTRCT FT/RST MNT TUBE	2
	524044	MED CNTRCT FT/RST MNT TUBE	2
	524045	LONG CNTRCT FT/RST MNT TUBE	2
20	483189	FOOTREST JOINT QTS	2
21	483181	INTERIOR LOCKING JOINT QTS	2
22	226099	1/4-28 x 7/8 FH C/S	4
23	550350	3/4" CLMP ADJ FT PLT	2
24	201100-QU	1/4-28 NYLOCK NUT THIN	4

ITEM	NUMBER	DESCRIPTION	QTY
25	561040	HEEL LOOP PEG	4
26	741130	HEEL LOOP 14/15 MULTI PSTN	2
	741131	HEEL LOOP 16/17 MULTI PSTN	
	741132	HEEL LOOP 18-20 MULTI PSTN	
27	500660-500661	ADLT ANGL ADJ F/PLT 14/15 (EA)	2
	500662-500663	ADLT ANGL ADJ F/PLT 16/17 (EA)	
	500664-500665	ADLT ANGL ADJ F/PLT 18-20 (EA)	
	28	262110-QU	
29	221110	1/4-20 X 1 HEX C/S	4
1-6	888816	CNTRCTR CLAMP ASSM QTS	
7,9-12	888815	OFFSET CLAMP ASSM QTS	
1-6,8	882200-882208	STRUT BAR/BRKTS CFS (14" - 22")	
9,13-21	888810-	CNTRCTR FTRST MNT TBE ASSM SHT	
	888811	CNTRCTR FTRST MNT TBE ASSM MED	
	888812	CNTRCTR FTRST MNT TBE ASSM LNG	
30	731101	COVER PAD CONTRACTURE FTRST	4
1-30	921880-921886	CONTRACTURE FTRST KIT (14W- 20W SHRT)	
1-30	921910-921916	CONTRACTURE FTRST KIT (14W- 20W MED)	
1-30	921917-921923	CONTRACTURE FTRST KIT (14W- 20W LONG)	

HEEL LOOP REFERENCE GUIDE

Width	10"&11"	12"&13"	14"	15"	16"&17"	18",19",&20"	22"&24"
Adult Angle Adj.	741154	741155	741153	741153	741153	741253	741253
Adult Angle Adj. - 90°	741154	741155	741153	741153	741153	741253	741253
Angle Adj. Locking F/PLT	n/a	n/a	n/a	741151	741156	741153	741253
2 Piece Locking	n/a	n/a	n/a	741151	741156	741153	741253
Composite Footplate	n/a	n/a	741151	741151	741156	741153	741153
Extended Footplate	n/a	n/a	741151	741151	741156	741153	741153
Contracture Footrest Sys.	n/a	n/a	741130	741130	741131	741132	741132
Multi Adj. F/PLT FLR	n/a	n/a	741151	741151	741131	741132	741132
Multi Adj. F/PLT STR	n/a	n/a	741170	741170	741130	741131	741132