

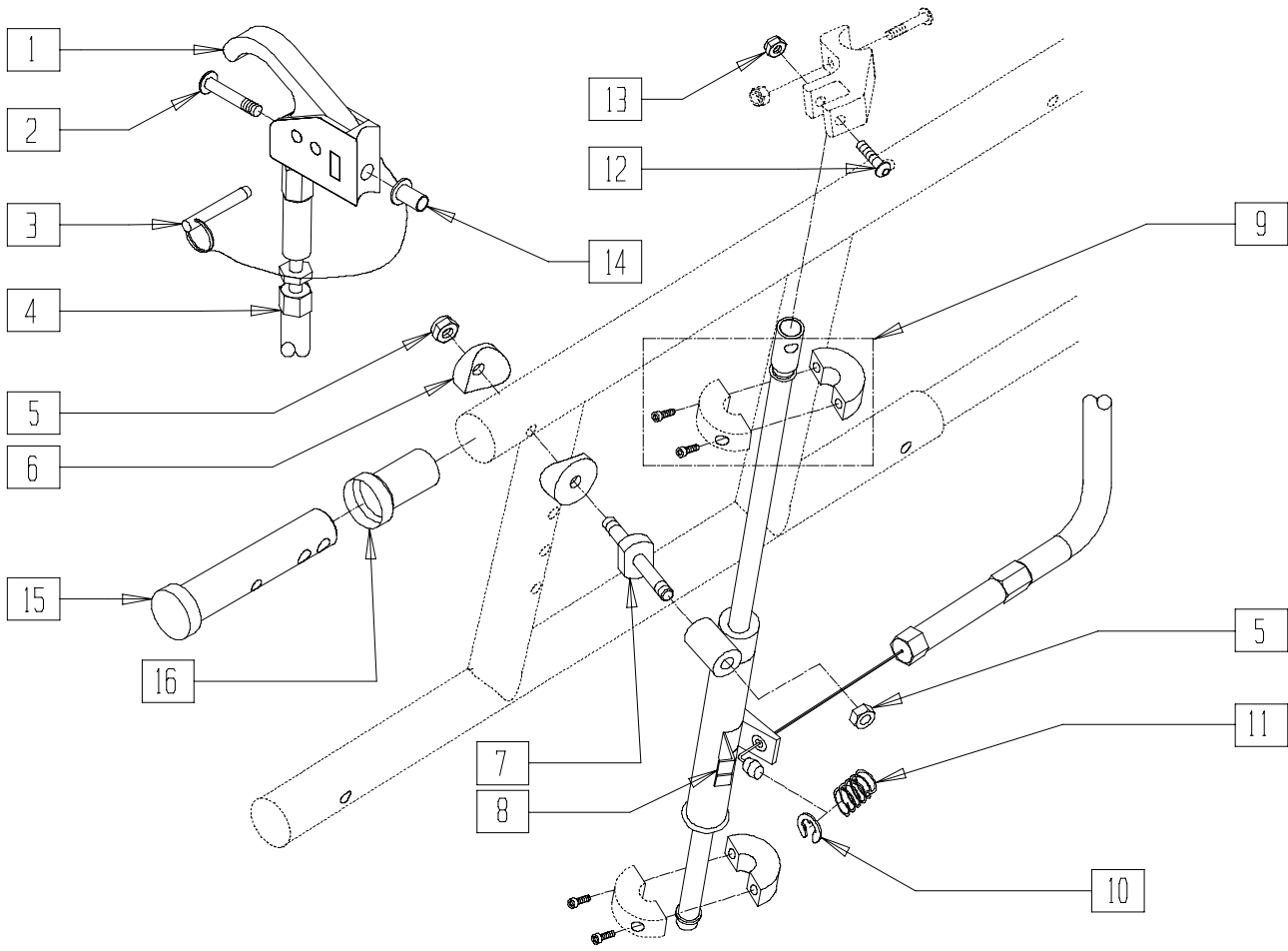
Mechanical Lock and Strut Assemblies

IN THIS SECTION

Locking Mechanism (Quickie Recliner)	16.1	Locking Mechanism (Breezy 100/150)	16.7
Strut Assembly (Quickie TS).....	16.2	Locking Mechanism (Breezy 510 Recliner).....	16.8
Locking Mechanism (Quickie TS).....	16.3	Reclining Backrest Mech Lock	
Locking Mechanism (Growing Frame)		(Quickie Chameleon)	16.9
(QuickieTS).....	16.4		
Strut Assembly - Gas Cylinders			
(Growing Frame) (Quickie TS).....	16.4		
Locking Mechanism (Zippie TS) (Disc.).....	16.5		
Locking Mechanism (Zippie TS)	16.6		

Note: Gas Struts for the Quickie TS and T45 reclining backs are located in the Pediatric and Positioning Frame section.

LOCKING MECHANISM (QUICKIE RECLINER)



Drawing shows left side

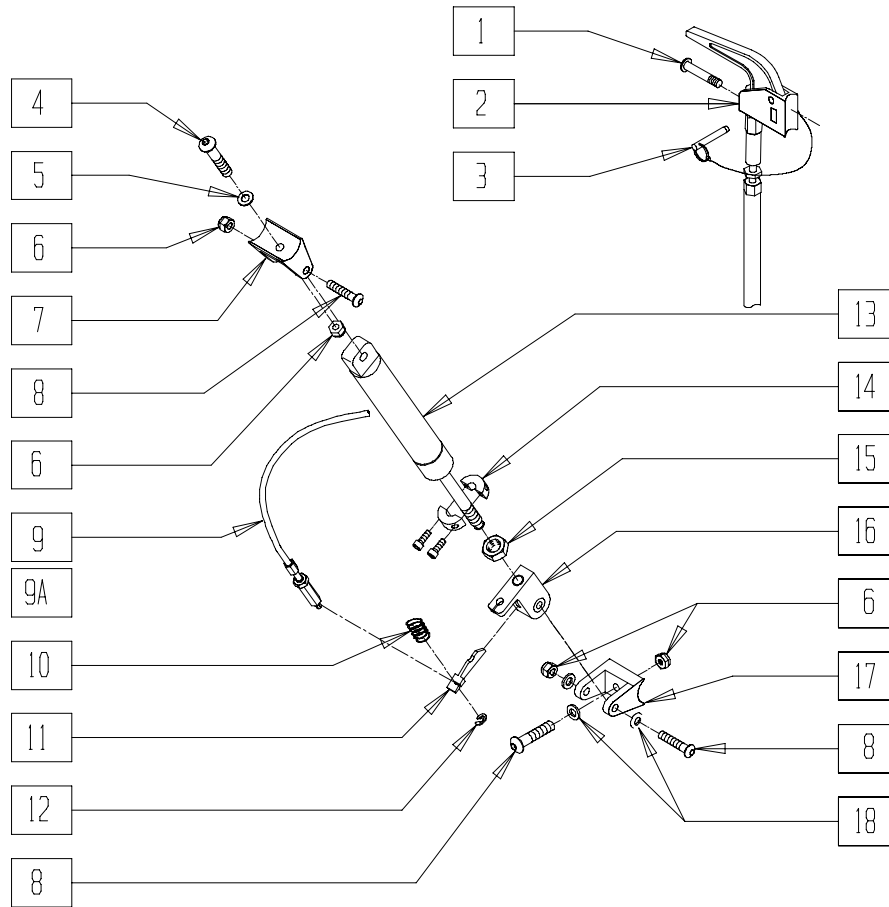
REC0X22B

ITEM	NUMBER	DESCRIPTION	QTY
1	580111	CYL LOCK LEVER ASSEMBLY RECLINER	1
2	281120	10-32 x 5/8 PAN HD PHIL	1
3	349021	TRIGGER RELEASE PIN TS/QT/P5	1
4	342057	CYLINDER LOCK CABLE ASSEMBLY	1
5	202100-MJ	5/16-24 NYLOCK NUT THIN	2
6	483710	SADDLE ALUMINUM 1" THIN	2
7	481080	PIVOT STUD RECLINER	1
8	342051, 342052	MECH CYLINDER LOCK (EA)	1
9	342049	10mm ID SPLIT COLLAR	2

ITEM	NUMBER	DESCRIPTION	QTY
10	342000	1/4" E-CLIP	1
11	321141	.650L x 6 COIL SPRING	1
12	225104	1/4 x 1 1/4 HEX SOC SHLDR SCREW	1
13	200105	10-24 NYLOCK NUT	1
14	341497	10-32 x .020-.130 RIVNUT GOLD	1
15	483084	PIVOT PIN RECLINER 5/16" HOLE	1
16	560406	FRAME BUSHING	1
1-14	920337, 920338	MECH CYL LOCK ASSEMBLY RECLINER (EA)	

STRUT ASSEMBLY (QUICKIE TS)

(Effective 12/15/95, beginning QT-12900)



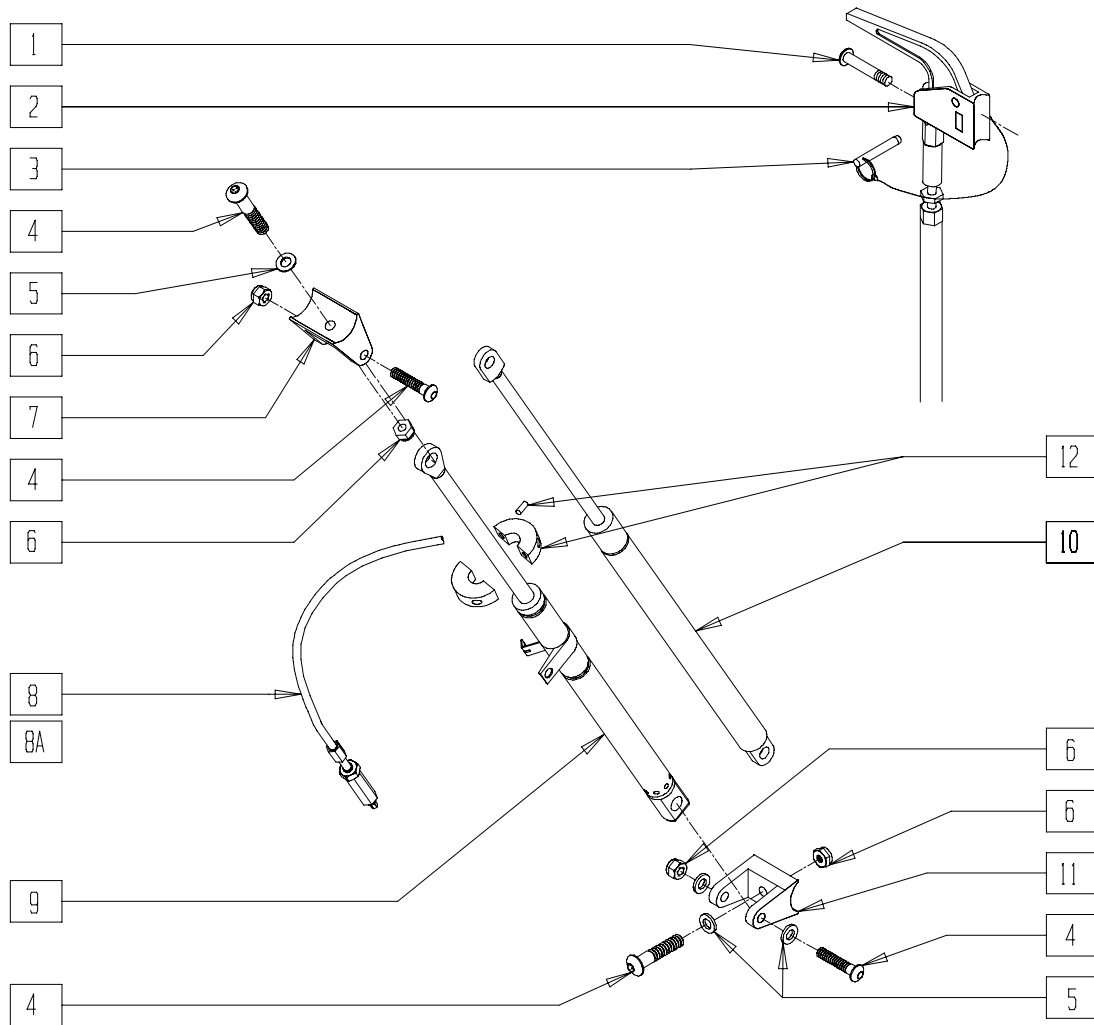
QTS00X02

ITEM	NUMBER	DESCRIPTION	QTY
1	281120	10-32 x 5/8 PAN HD PHIL	1
2	580110	CYL LOCK LEVER ASSEMBLY QT/QR/P5	1
3	349021	TRIGGER RELEASE PIN TS/QT/P5	1
4	226190	5/16-18 x 1 3/4 BH C/S SHOULDER	1
5	263100	5/16 AN WASHER FLAT	1
6	202102	5/16-18 NYLOCK NUT THIN	5
7	500145	CYLINDER BRACKET T45	1
8	226194	5/16-18 x 1.63 BH C/S	3
9	342057	CYLINDER LOCK CABLE ASSEMBLY	1
9A	342056	CYLINDER LOCK CABLE ASSEMBLY T45 (QTS W/SWING-AWAY ADJ STROLLER)	1

ITEM	NUMBER	DESCRIPTION	QTY
10	321141	.650L x 6 COIL SPRING	1
11	560686	GAS SPRING LEVER T45	1
12	342000	1/4" E-CLIP	1
14	342049	10mm ID SPLIT COLLAR	1
13,15	342064	BLOC-O-LIFT 200N x 15.88"	
16	880148	GAS SPRING BLOCK W/BUSHING QTS	1
17	500146	CYLINDER BRACKET LOWER QTS	1
18	263110-QU	5/16 AN WASHER FLAT THIN	3
1-18	920371	GAS SPRING STRUT ASSEMBLY	
1-8,9A, 10-18	920379	GAS SPRING STRUT ASSEMBLY ADJ STRLR	

LOCKING MECHANISM (QUICKIE TS)

(Effective 11/15/96)



QTS00X07

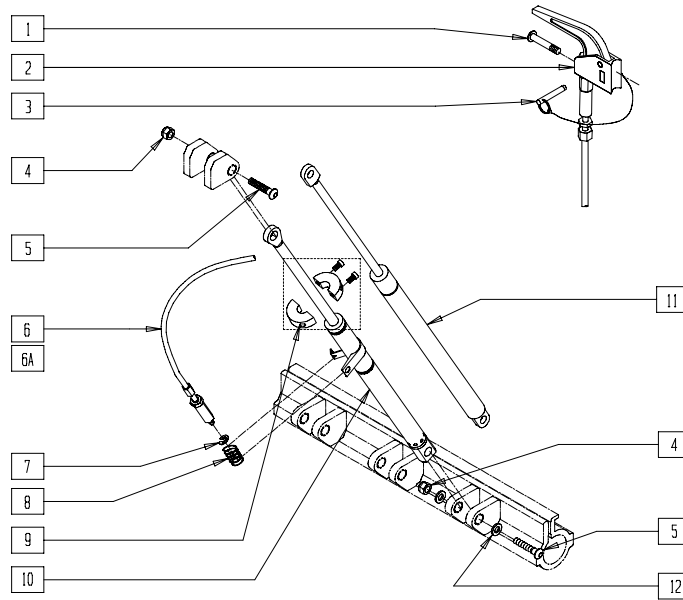
ITEM	NUMBER	DESCRIPTION	QTY
1	281120	10-32 x 5/8 PAN HD PHIL	2
2	580110	CYL LOCK LEVER ASSEMBLY QT/QR/P5	2
3	349021	TRIGGER RELEASE PIN TS/QT/P5	2
4	226194	5/16-18 x 1.63 BH C/S	12
5	263100	5/16 AN WASHER FLAT	6
6	202102	5/16-18 NYLOCK NUT THIN	12
7	500146	CYLINDER BRACKET LOWER QTS	3
8	342056	CYLINDER LOCK CABLE ASSEMBLY T45	2

ITEM	NUMBER	DESCRIPTION	QTY
8A	342057	CYLINDER LOCK CABLE ASSEMBLY	2
9	342039	MECH LOCK IN-LINE	2
10	920404	GAS DAMPER	1
11	500146	CYLINDER BRACKET LOWER QTS	3
12	342049	10mm ID SPLIT COLLAR	1
1-7,8A, 9-12	920411	MECH LOCK ASSEMBLY STD CABLE QTS	
1-12	920414	MECH LOCK ASSEMBLY LONG CABLE	

NOTE: ITEM 8 USED WITH TALL STROLLER HANDLES.

LOCKING MECHANISM (GROWING FRAME) (QUICKIE TS)

(Effective 3/25/99)



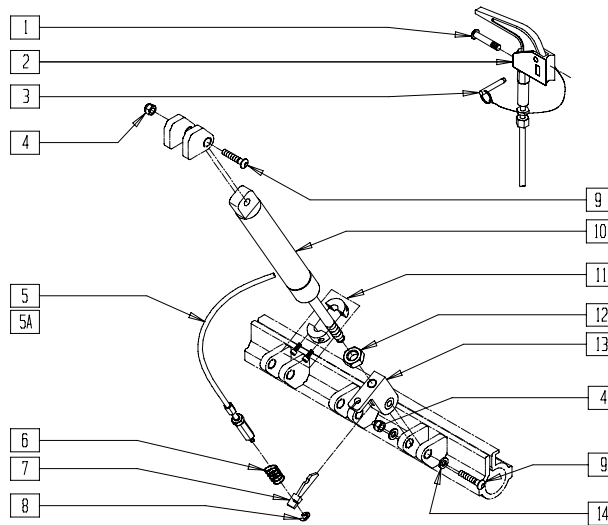
QTS20X04

ITEM	NUMBER	DESCRIPTION	QTY
1	281120	10-32 x 5/8 PAN HD PHIL	2
2	580110	CYL LOCK LEVER ASSM QT/QR/P5	2
3	349021	TRIGGER REL PIN TS/QT/P5	2
4	202102	5/16-18 NYLOCK NUT THIN	12
5	226194	5/16-18 x 1.63 BH C/S	12
6	342057	CYL LOCK CABLE ASSEMBLY	2
6A	342056	CYL LOCK CABLE ASSMEMBLY T45	2

ITEM	NUMBER	DESCRIPTION	QTY
7	342000	1/4" E-CLIP	2
8	321141	.650 x 6 COIL SPRING	2
9	342049	10 mm ID SPLIT COLLAR	2
10	342039	MECH LOCK IN-LINE	2
11	920404	GAS DAMPER	1
12	263110-QU	5/16 AN WASHER FLAT THIN	12
1-12	920950	MECH LCK STD CBL GRWNG ASSM KT	
1-6A-12	920951	MECH LCK LNG CBL GRWNG ASSM KT	

STRUT ASSEMBLY - GAS CYLINDERS (GROWING FRAME) (QUICKIE TS)

(Effective 3/25/99)



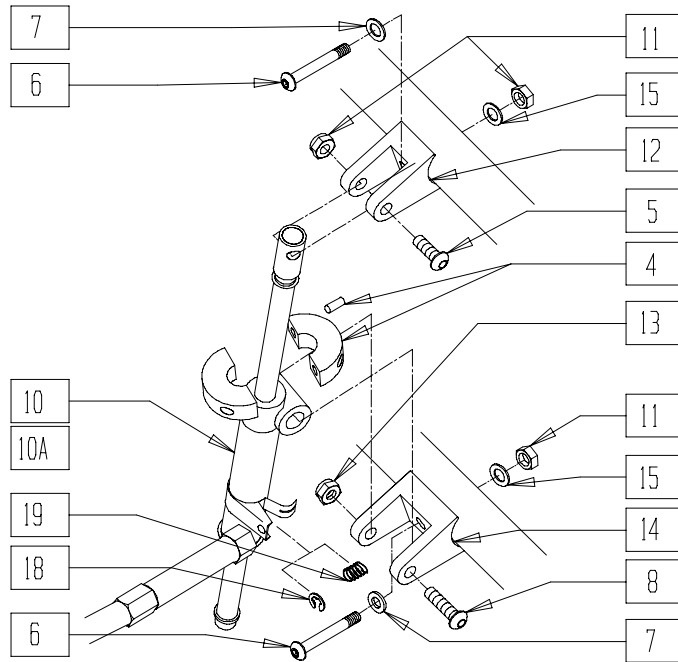
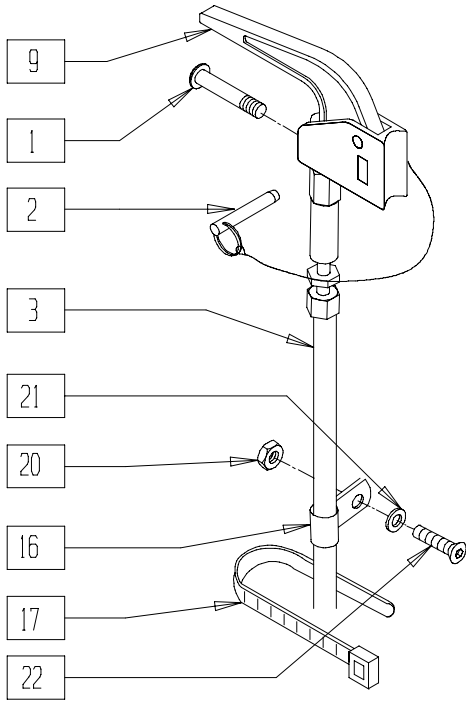
QTS20X02A

ITEM	NUMBER	DESCRIPTION	QTY
1	281120	10-32 x 5/8 PAN HD PHIL	2
2	580110	CYL LOCK LEVER ASSM QT/QR/P5	2
3	349021	TRIGGER REL PIN TS/QT/P5	2
4	202102	5/16-18 NYLOCK NUT THIN	2
5	342057	CYLINDER LOCK CABLE ASSEMBLY	2
5A	342056	CYL LOCK CABLE ASSM T45 (QTS W/ S/A ADJ STROLLER)	2
6	321141	.650 x 6 COIL SPRING	2

ITEM	NUMBER	DESCRIPTION	QTY
7	560686	GAS SPRING LEVER T45	2
8	342000	1/4" E-CLIP	2
9	226194	5/16-18 x 1.63 BH C/S	2
10,12	342064	BLOC-O-LIFT 200N x 15.88"	
11	342049	10mm ID SPLIT COLLAR	2
13	880148	GAS SPRING BLOCK W/BUSHING QTS	2
14	263110-QU	5/16 AN WASHER FLAT THIN	4

LOCKING MECHANISM (ZIPPIE TS)

(Discontinued 11/16/99; fits Zippie TS prior to serial number ZP-56988)



Z00X12

ITEM	NUMBER	DESCRIPTION	QTY
1	281120	10-32 x 5/8 PAN HD PHIL	1
2	349021	TRIGGER RELEASE PIN TS/QT/P5	1
3	342057	CYLINDER LOCK CABLE ASSEMBLY	1
4*	342049	10mm ID SPLIT COLLAR	1
5	226129	1/4-28 x 1 1/4 BH C/S	1
6	226130	1/4-28 x 1 1/2 BH C/S	2
7	262100-QU	1/4 AN WASHER FLAT	2
8	226190	5/16-18 x 1 3/4 BH C/S SHLDR	1
9	580110	CYL LOCK LEVER ASSEMBLY QT/QR/P5	1
10	342078	MECH CYLINDER LOCK R BR RECLINER	1
10A	342079	MECH CYLINDER LOCK L BR RECLINER	1
11	201100-QU	1/4-28 NYLOCK NUT THIN	1
12	500140	CYLINDER BRACKET 1" TS/P5	1
13	202102	5/16-18 NYLOCK NUT THIN	1

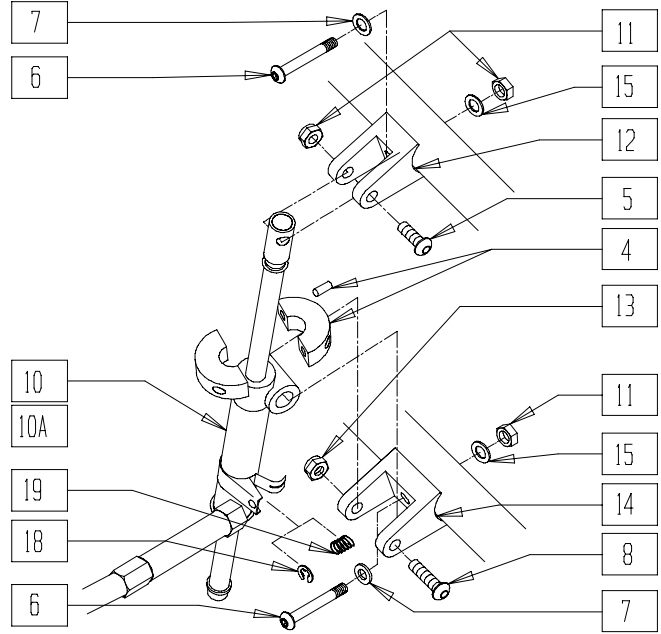
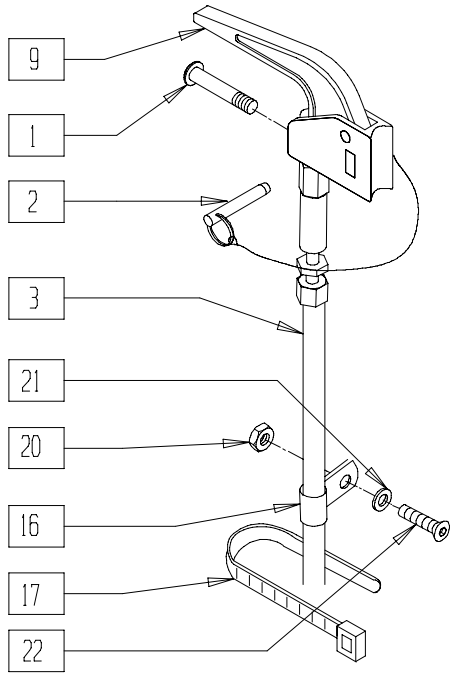
ITEM	NUMBER	DESCRIPTION	QTY
14	500141	CYLINDER BRACKET TS 1 1/2"	1
15	262130	6mm WASHER WAVE	2
16	349511	1/2" ID PLASTIC CLAMP BLK	1
17	560410	ZIP TIE BLACK	1
18	342000	1/4" E-CLIP	1
19	321141	.650L x 6 COIL SPRING	1
20	200100	10-32 NYLOCK NUT	1
21	261204	#10 AN WASHER .063	1
22	226032	10-32 x 1 1/2 BH C/S BLK	1
1-22	920315	MECH CYL LOCK ASSEMBLY 30° R TS	
1-10A, 11-22	920305	MECH CYL LOCK ASSEMBLY 30° L TS	
1-3,5-22	920415	MECH CYL LOCK ASSEMBLY 45° R TS	
1-3,5-9, 10A,11-22	920405	MECH CYL LOCK ASSEMBLY 45° L TS	

NOTE: 45° MECHANICAL CYLINDER LOCK ASSEMBLY IS STANDARD BEGINNING 11/13/93.

*NOTE: ITEM 4 REQUIRED ON ALL MECH LOCK ASSEMBLIES FOR CHAIRS WITH THE FOLLOWING CONFIGURATIONS: FIXED FRONT 15" AND 16"; 10" SEAT DEPTH; S/A MODELS WITH 6" AND 8" CASTERS, AND 2" EXTENSIONS; FIXED MODELS WITH 8" CASTER AND 2" EXTENSION.

LOCKING MECHANISM (ZIPPIE TS)

(Effective beginning serial number ZP-56988)

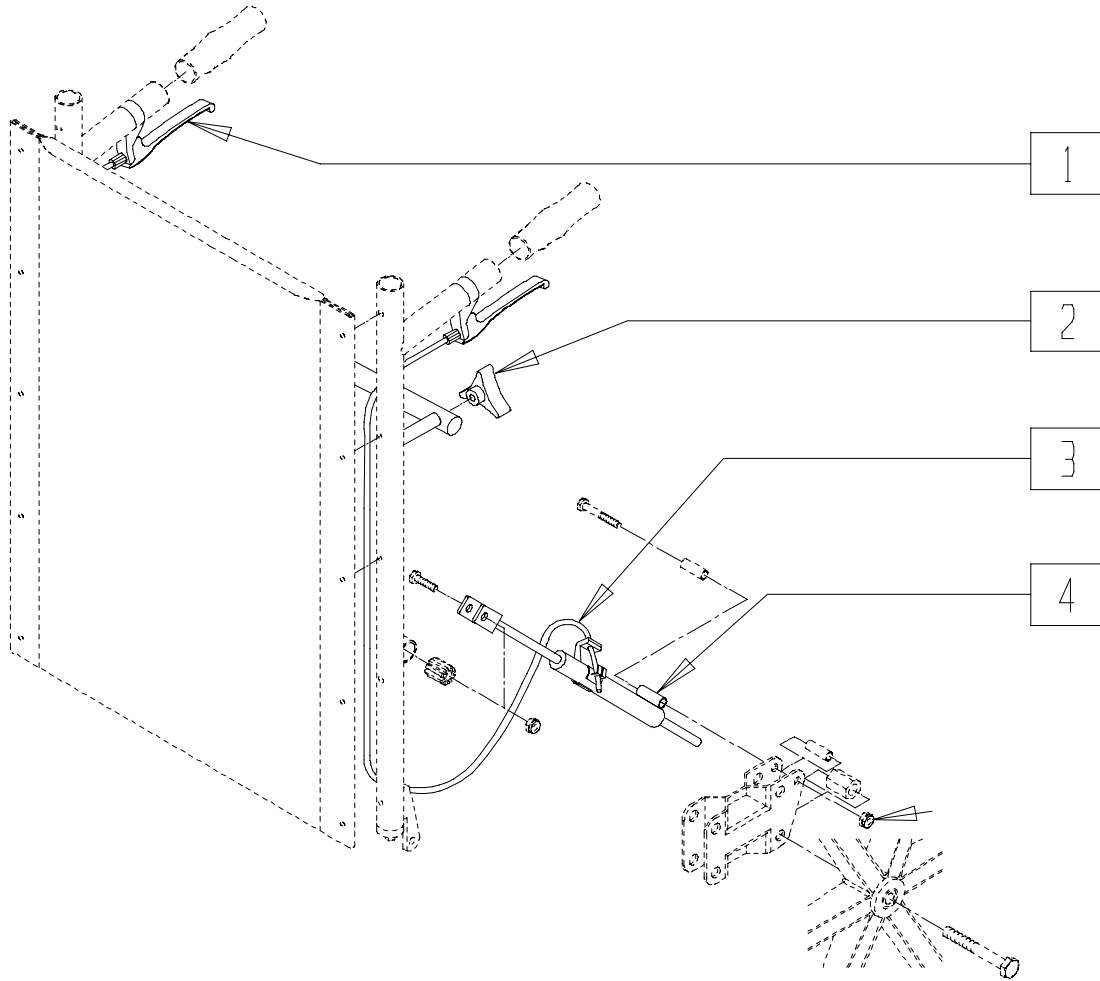


Z00X12

ITEM	NUMBER	DESCRIPTION	QTY
1	281120	10-32 x 5/8 PAN HD PHIL	1
2	349021	TRIGGER RELEASE PIN TS/QT/P5	1
3	342057	CYLINDER LOCK CABLE ASSEMBLY	1
4	342049	10mm ID SPLIT COLLAR	1
5	226129	1/4-28 x 1 1/4 BH C/S	1
6	226130	1/4-28 x 1 1/2 BH C/S	2
7	262100-QU	1/4 AN WASHER FLAT	2
8	226190	5/16-18 x 1 3/4 BH C/S SHLDR	1
9	580110	CYL LOCK LEVER ASSEMBLY QT/QR/P5	1
10	342078	MECH CYLINDER LOCK R BR RECLINER	1
10A	342079	MECH CYLINDER LOCK L BR RECLINER	1
11	201100-QU	1/4-28 NYLOCK NUT THIN	1
12	500140	CYLINDER BRACKET 1" TS/P5	1
13	202102	5/16-18 NYLOCK NUT THIN	1

ITEM	NUMBER	DESCRIPTION	QTY
14	500141	CYLINDER BRACKET TS 1 1/2"	1
15	262130	6mm WASHER WAVE	2
16	349511	1/2" ID PLASTIC CLAMP BLK	1
17	560410	ZIP TIE BLACK	1
18	342000	1/4" E-CLIP	1
19	321141	.650L x 6 COIL SPRING	1
20	200100	10-32 NYLOCK NUT	1
21	261204	#10 AN WASHER .063	1
22	226032	10-32 x 1 1/2 BH C/S BLK	1
1-3,5-22	920493	MECH CYL LOCK ASSEMBLY R TS 45° NEW	
1-3,5-9, 10A,11-22	920494	MECH CYL LOCK ASSEMBLY L TS 45° NEW	

LOCKING MECHANISM (BREEZY 100/150)

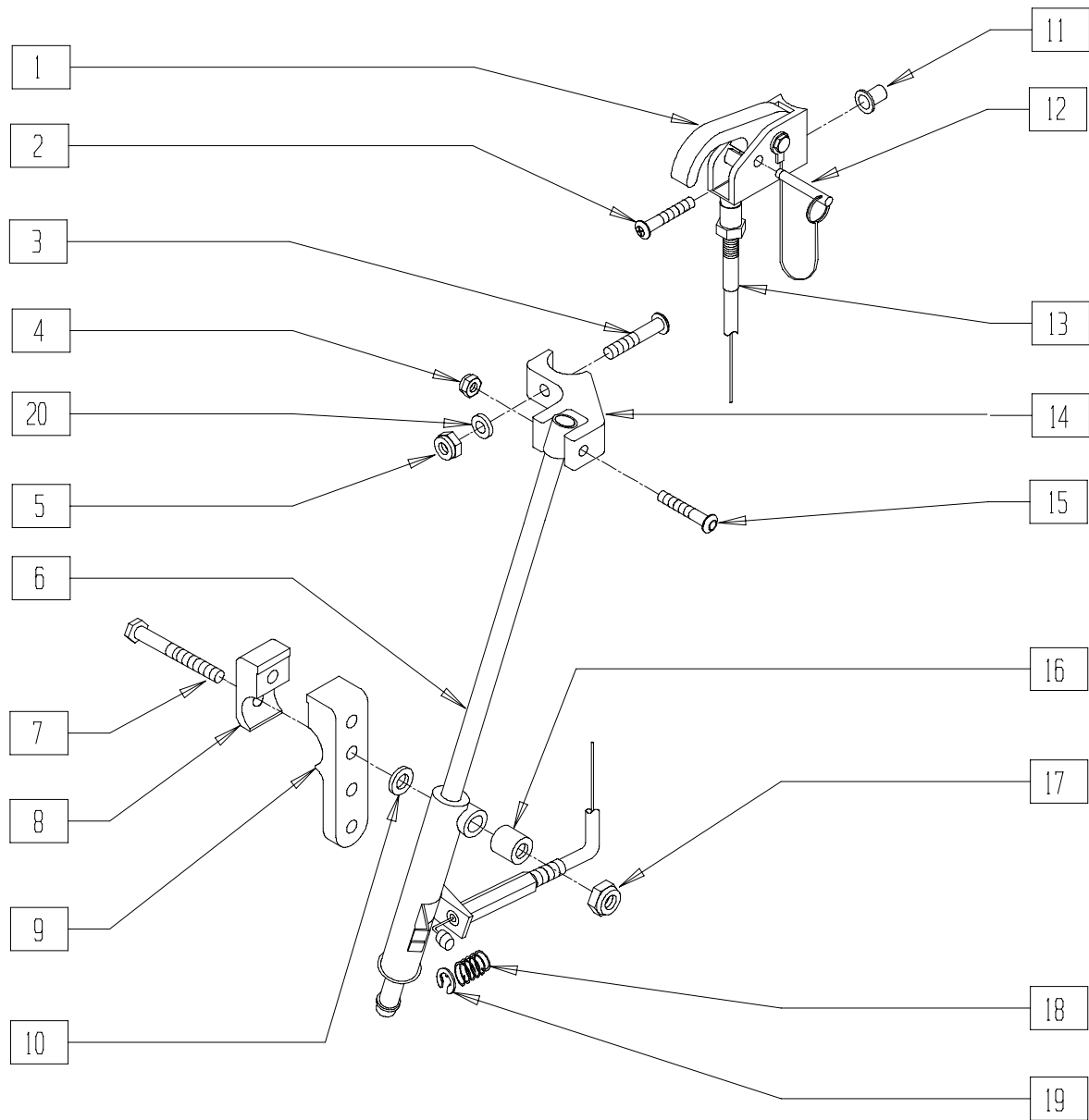


BRZ10X03A

ITEM	NUMBER	DESCRIPTION	QTY
1	222-0651	BACK CANE RELEASE LEVER	2
2	222-0650	RECLINING BACK CANE KNOB	2

ITEM	NUMBER	DESCRIPTION	QTY
3	222-0654	"MECH" LOCK ACTUATOR CABLE	2
4	222-0652L	MEC LOCK ACTUATOR L	1
	222-0652R	MEC LOCK ACTUATOR R	

LOCKING MECHANISM (BREEZY 510 RECLINER)

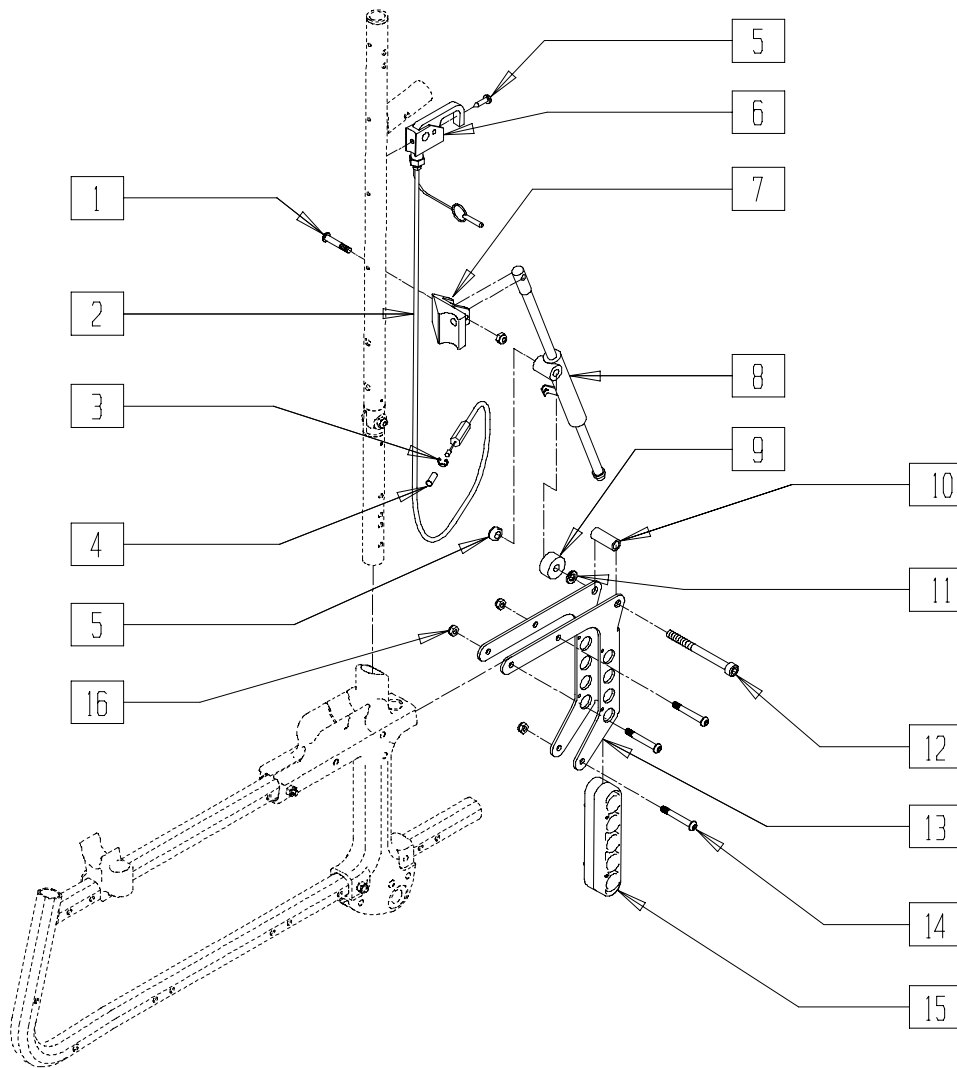


BREX04B

ITEM	NUMBER	DESCRIPTION	QTY
1	580111	CYL LOCK LEVER ASSEMBLY RCLNR	1
2	281120	10-32 x 5/8 PAN HD PHIL	1
3	226198	5/16-18 x 2 BH C/S SHT THREAD	1
4	200105	10-24 NYLOCK NUT	1
5	202102	5/16-18 NYLOCK NUT THIN	1
6	342078, 342079	MECH CYLINDER LOCK BR RCLNR	1
7	222255	5/16-18 x 3 1/2" HEX C/S	1
8	550121	MNTG BRKT SHORT BR RCLNR	1
9	550123	MNTG BRKT LONG BR RCLNR	1
10	561016	1" WASHER 5/16" HOLE	1
11	341497	10-32 x .020-.130 RIVNUT GOLD	1

ITEM	NUMBER	DESCRIPTION	QTY
12	349021	TRIGGER RELEASE PIN TS/QT/P5	1
13	342057	CYLINDER LOCK CABLE ASSEMBLY	1
14	550460	CYLINDER BRACKET RECLINER	1
15	225104	1/4 x 1 1/4 HEX SOC SHOULDER SCREW	1
16	550162	QUICK CONNECT SPACER 15"/17"/19"	1
17	202102	5/16-18 NYLOCK NUT THIN	1
18	321141	.650L x 6 COIL SPRING	1
19	342000	1/4" E-CLIP	1
20	263100	5/16 AN WASHER FLAT	1
1,2,4,6, 7-20	920429, 920439	MECH LOCK ASSEMBLY B510 RCLNR (EA)	

RECLINING BACKREST MECH LOCK (CHAMELEON)



CHAM0X23

ITEM	NUMBER	DESCRIPTION	QTY
1	C2.1524	M6 x 40 SKT BTN HD[25 PLAIN]ZP	2
2	342057	CYL LOCK CABLE ASSM	2
3	342000	1/4" E-CLIP	2
4	321141	.650L x 6 COIL SPRING	2
5	C2.2026	M8 NYLOC NUT	2
6	580111	CYL LOCK LEVER ASSM RCLNR	2
7	C2.4101	CLEVIS MECH LOCK MOUNT, LH	1
	C2.4123	CLEVIS MECH LOCK MOUNT, RH	1
8	342078, 342079	MECH CYLINDER LOCK BR RCLNR (EA)	1

ITEM	NUMBER	DESCRIPTION	QTY
9	550162	QUICKCNNCT SPACER 15/17/19"	2
10	C2.4104	SPACER .500Dx.334ID	2
11	C2.1017	WASHER M8 x 2 NYLON	2
12	C2.4124	SHCS M8 x 1.25 75MM	2
13	C2.4100	RECLINER AXLE BRACKET	2
14	C2.1522	M6 x 45 SKT BTN HD[25 PLAIN]ZP	6
15	C2.1508	AXLE BRACKET INFILL PIECE	2
16	C2.2023	M6 NYLOC NUT	8