

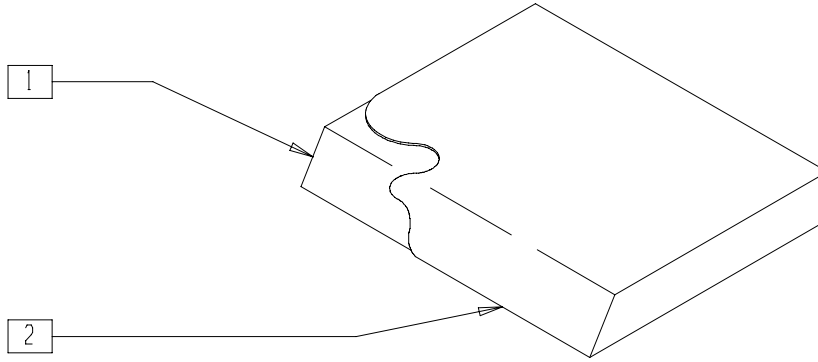
Seats and Slings

IN THIS SECTION

Standard Seat Cushion.....	17.1	Seat Sling and Cushion (Quickie ST/DT).....	17.5
Seat Sling (Quickie GPS/Recliner/ Revolution/Rx/Triumph/XTR).....	17.1	Seat Sling and Cushion (Quickie R2/TNT).....	17.5
Padded Seat Sling (Breezy 500/510/510 Recliner/2(Disc.)).....	17.2	Solid Seat	17.6
Non-padded Seat Sling and Cushion (Breezy 500/510/510 Recliner/2(Disc.)).....	17.2	Seat Pan (Quickie T45)	17.6
Seat Sling (Breezy 100/150).....	17.3	Growing Seat Pan (Zippie TS).....	17.7
Seat Sling and Cushion (Quickie Kidz)	17.4	Seat Pan (Quickie TS).....	17.8
		Non-Padded Seat Sling (Chameleon/Chameleon HD)	17.9
		Padded Seat Sling (Chameleon).....	17.9

NOTE: FOR QUICKIE TS, ZIPPIE AND ZIPPIE 2 SOLID SEATS, SEE SOLID SEATS AND BACKS IN PEDIATRIC AND POSITIONING CHAIRS BACKRESTS/UPHOLSTERY, SECTION 10.

STANDARD SEAT CUSHION

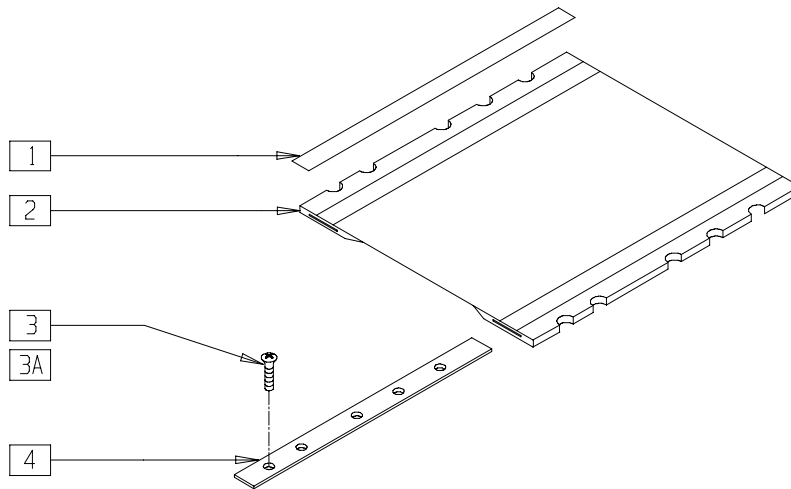


SS0X01

ITEM	NUMBER	DESCRIPTION	QTY
1	105002-105972	SEAT FOAM (11" x 10" x 2"- 20" x 20" x 2")	1
	105975-105994	SEAT FOAM (21" x 12" x 2"- 22" x 21" x 2")	
	106025-106029	SEAT FOAM (24" x 14" x 2"- 24" x 18" x 2")	
	106031-106033	SEAT FOAM (24" x 19" x 2"- 24" x 21" x 2")	
	106047-106053	SEAT FOAM (22" x 22" x 2"- 26" x 22" x 2")	
	106060-106063	SEAT FOAM (28" x 18" x 2"- 28" x 21" x 2")	
	106065-106070	SEAT FOAM (28" x 22" x 2"- 30" x 22" x 2")	
	2	701002, 701972	
702302-702372		SEAT COVER (21" x 13" x 2"- 21" x 20" x 2")	
702382, 702383		SEAT COVER (21" x 21" x 2"- 21" x 22" x 2")	

ITEM	NUMBER	DESCRIPTION	QTY
2	702392-702472	SEAT COVER (22" x 13" x 2"- 22" x 21" x 2")	1
	702482, 702492	SEAT COVER (24" x 14" x 2"- 24" x 15" x 2")	
	702602-702652	SEAT COVER (24" x 16" x 2"- 24" x 21" x 2")	
	702660-702676	SEAT COVER (22" x 22" x 2"- 30" x 22" x 2")	
	1,2	700002-700972	
702090-702098		SEAT CUSHION W/COVER AND FOAM (22" x 13" x 2"- 22" x 21" x 2")	
702080		SEAT CUSHION W/COVER AND FOAM (21" x 13" x 2")	
702099-702106		SEAT CUSHION W/COVER AND FOAM (24" x 14" x 2"- 24" x 21" x 2")	
702116-702229		SEAT CUSHION W/COVER AND FOAM (20" x 22" x 2"- 28" x 22" x 2")	
702230-702234		SEAT CUSHION W/COVER AND FOAM (30" x 18" x 2"- 30" x 22" x 2")	

SEAT SLING (QUICKIE GPS/RECLINER/REVOLUTION/Rx/RECLINER/TRIUMPH/XTR)



SS0X01A

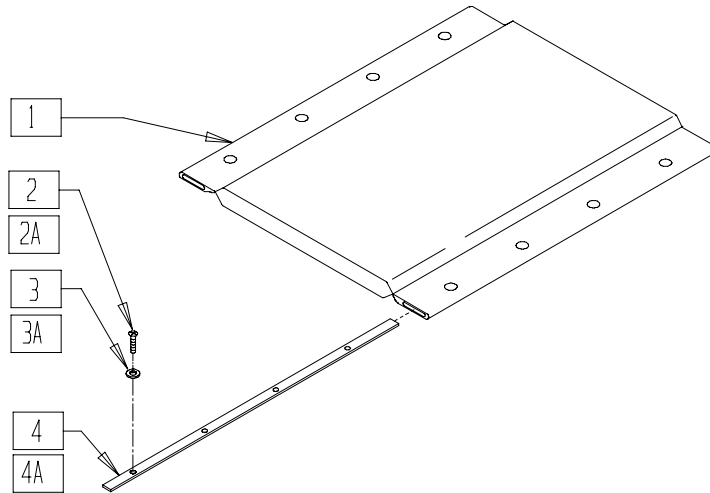
ITEM	NUMBER	DESCRIPTION	QTY
1	901170	SEAT SLING VELCRO® STRIP	2
2	720000-720907	SEAT SLING 11" x 10"- 20" x 20"	1
	721267, 721259	SEAT SLING 22 X 22 SEAT SLING 22 X 14	

ITEM	NUMBER	DESCRIPTION	QTY
3	281120	10-32 x 5/8 PAN HD PHIL	8-12
3A*	281122	10-32 x 3/4 PAN PHIL	8-12
4	505100-505119	SEAT RAIL 10"- 23"	2

* ITEM 3A IS USED ON RIGID CHAIRS.

PADDED SEAT SLING (BREEZY 500/510/510 RECLINER/2)

(Breezy 2 Discontinued 5/98 - parts only)



BZ00X05A

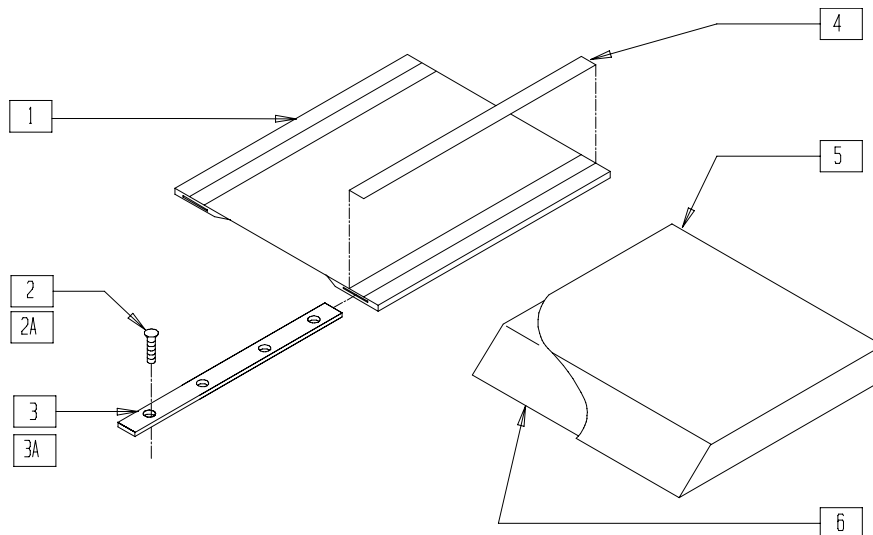
ITEM	NUMBER	DESCRIPTION	QTY
1	720913-720940	PADDED SEAT BR/B2 14" x 16" - 20" x 18"	1
	721162	PADDED SEAT 16" x 16" BR	
	721164	PADDED SEAT 18" x 16" BR	
2*	281141	10-32 x 1 OVAL HD MACH SCREW	8

ITEM	NUMBER	DESCRIPTION	QTY
2A	281129	#12 x 1 OVAL PHIL S/TAP	8
3*	340105	WASHER SEAT SLING BR	8
3A	340115	#12 WASHER BRASS FINISH	8
4	505664	SEAT RAIL 16" BR	2
4A	505665	SEAT RAIL 18" BR	2

* ITEM 2 AND 3 ARE USED ONLY WITH BREEZY 600 CHAIRS.

NON-PADDED SEAT SLING AND CUSHION (BREEZY 500/510/510 RECLINER/2)

(Breezy 2 Discontinued 5/98 - parts only)



BZY00X11A

ITEM	NUMBER	DESCRIPTION	QTY
1	720908-720914;	BR SEAT SLING 14" x 16"- 20" x 16" AND 14" x 18"- 20" x 18"	1
	721908-721914		
	721957-721963		
	721965-721967		
	SEAT SLING (15"-19"x16" BZ600 ONLY)		
2**	281141	10/32 x 1 OVAL HD MCH SCW	8,10

ITEM	NUMBER	DESCRIPTION	QTY
2A	281129	#12 X 1" OVAL PHIL S/TAP	8,10
3***	505664	SEAT RAIL 16" BR	2
3A****	505665	SEAT RAIL 18" BR	2
4	901170	SEAT SLING VELCRO® STRIP	2
5*	701342-701942	SEAT COVER	1
6*	105342-105942	SEAT FOAM	1
5,6*	700342-700942	SEAT CUSHION (W/COVER AND FOAM)	

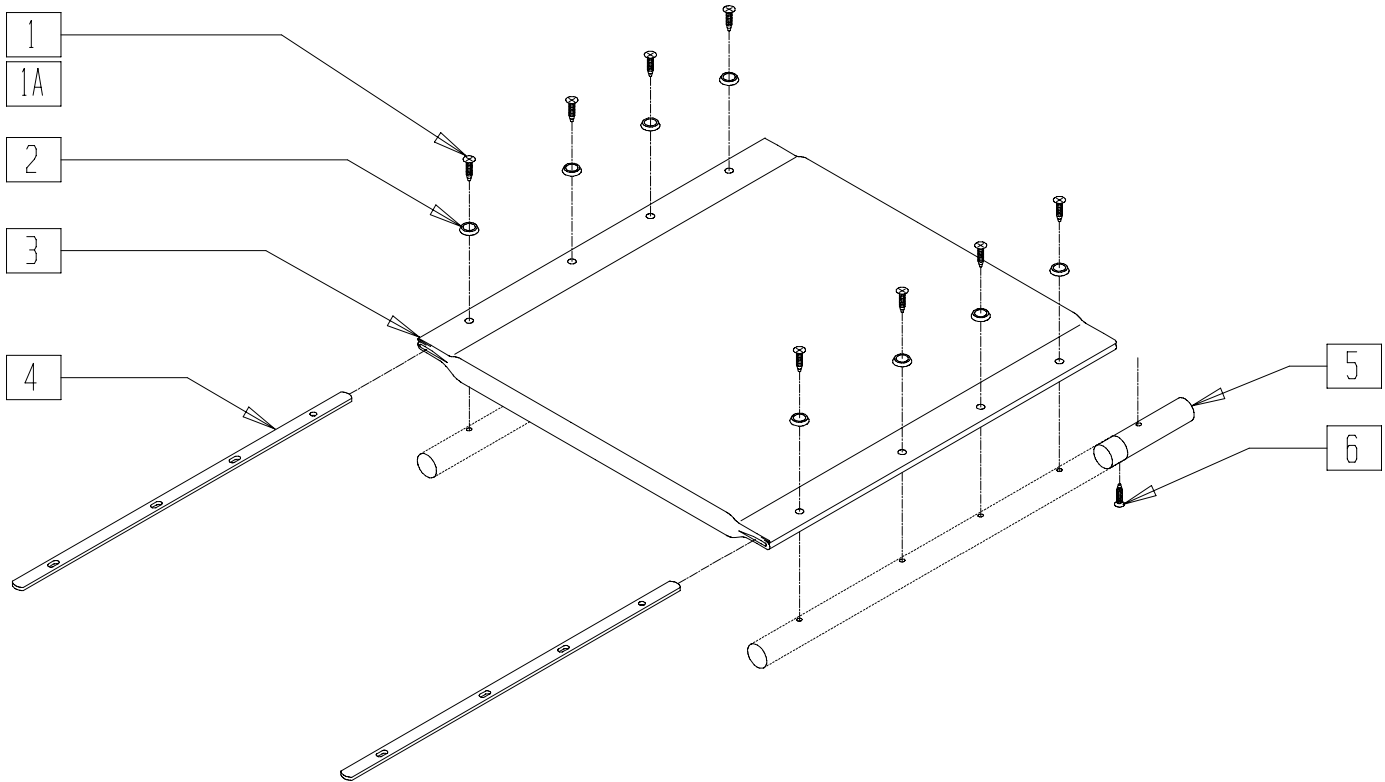
* WIDTHS AVAILABLE INCLUDE 14", 16", 18" AND 20". DEPTHS AVAILABLE INCLUDE 16" AND 18".

** ITEM 2 IS USED ONLY ON BREEZY 600 CHAIRS.

*** USE 505120 FOR BREEZY 600 AND BREEZY 600 HEMI ONLY.

**** USE 505121 FOR BREEZY 600 AND BREEZY 600 HEMI ONLY.

SEAT SLING (BREEZY 100/150)

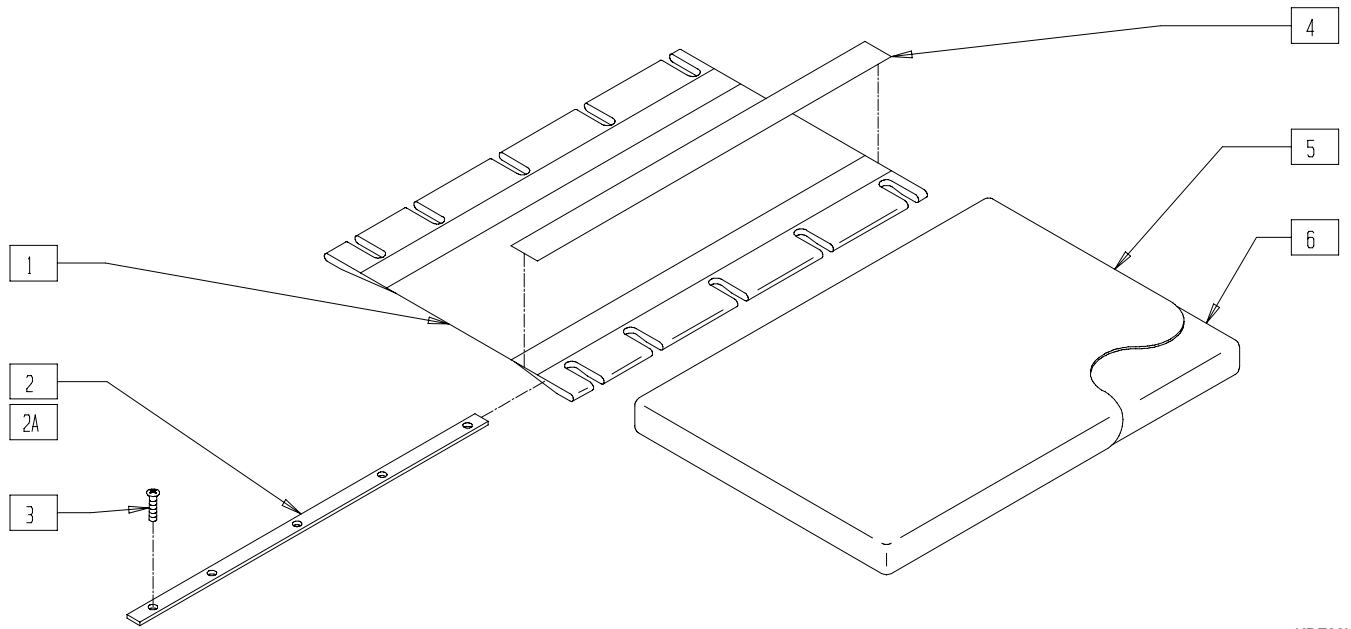


BRZ10X12

ITEM	NUMBER	DESCRIPTION	QTY
1-4	222-0521	SEAT UPH 16" x 16" W/HDWR (BZ100)	1
	222-0522	SEAT UPH 18" x 16" W/HDWR (BZ100)	
	222-0523	SEAT UPH 20" x 16" W/HDWR (BZ100)	
1,2,4	222-0633	SEAT UPHOLSTERY INSERTS, SCREWS, AND WASHERS COMPLETE (BZ100)	1
5,6	222-0786	2" SEAT EXTENSION KIT (BZ150)	1

ITEM	NUMBER	DESCRIPTION	QTY
1A,2-6	222-0788	SEAT UPH 16" x 16" W/HDWR (BZ150)	1
	222-0789	SEAT UPH 18" x 16" W/HDWR (BZ150)	
	222-0790	SEAT UPH 20" x 16" W/HDWR (BZ150)	
	222-0791	SEAT UPH 16" x 18" W/HDWR (BZ150)	
	222-0792	SEAT UPH 18" x 18" W/HDWR (BZ150)	
	222-0793	SEAT UPH 20" x 18" W/HDWR (BZ150)	

SEAT SLING AND CUSHION (QUICKIE KIDZ)

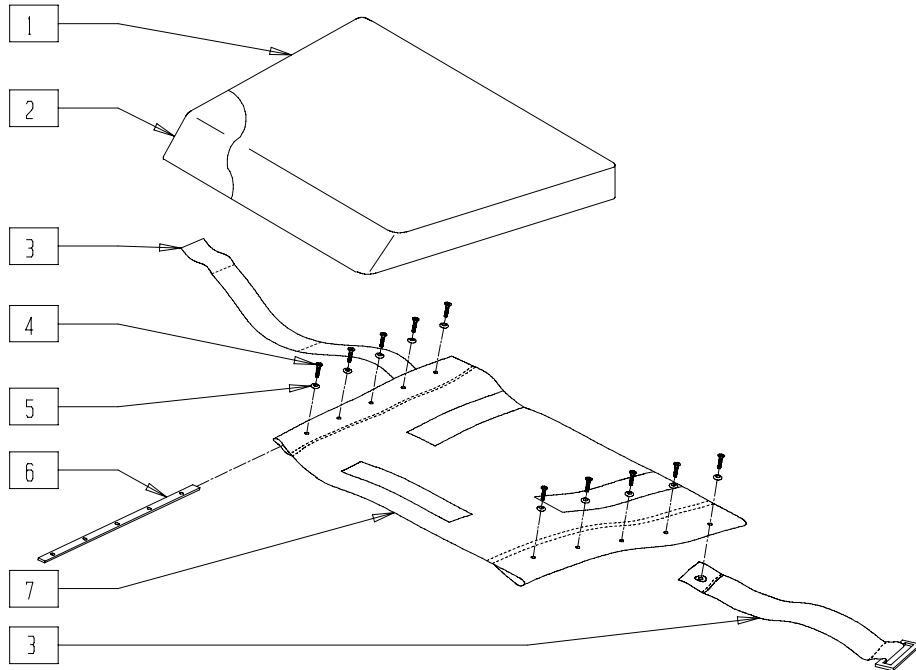


KDZ00X05

ITEM	NUMBER	DESCRIPTION	QTY
1	720000-720302	SEAT SLING (10"-14" WIDTH, 8"-14" DEPTH)	1
2	505112	SEAT RAIL 10"	2
2A	505102	SEAT RAIL 14"	2
3	281120	10-32 x 5/8 PAN HD PHIL	8,10
4	901170	SEAT SLING VELCRO® STRIP	2

ITEM	NUMBER	DESCRIPTION	QTY
5	700992-701322	SEAT COVER (10"-14" WIDTH, 8"-14" DEPTH)	1
6	104890-105322	SEAT FOAM (2" HEIGHT, 10"-14" WIDTH, 8"-14" DEPTH)	1
5,6	700025-700322	SEAT CUSHION W/COVER AND FOAM (2" HEIGHT, 10"-14" WIDTH, 8"-14" DEPTH)	

SEAT SLING AND CUSHION (QUICKIE ST/DT)



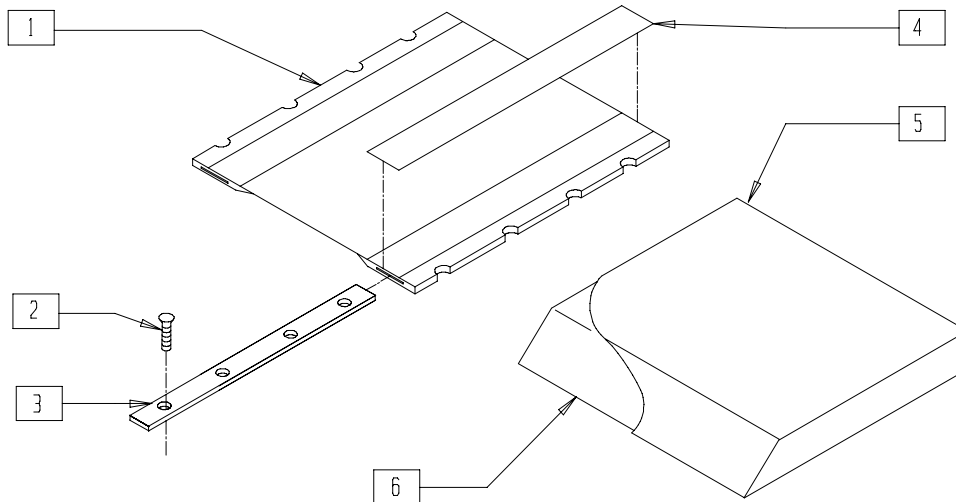
RG000X12

ITEM	NUMBER	DESCRIPTION	QTY
1	701990	RIGID SEAT COVER ONLY (SPECIFY DIMENSIONS)	1
2	106010	SEAT FOAM ONLY (SPEC DIM) DT	1
1,2	700978	RIGID CUSHION (FOAM AND COVER) (SPECIFY DIMENSIONS) (2" HEIGHT ONLY)	

ITEM	NUMBER	DESCRIPTION	QTY
3	751020	POSITION BLT HK/LP CLS (SPECIFY DIM)	1
4	226014	10-32 x 3/4 FH C/S BLK	10
5	340106	WASHER UPH #8	10
6	505101- 505110	SEAT RAIL 13"-18"	2
7	721050	UPH SEAT SLING (SPECIFY DIMENSIONS)	1

NOTE: HOLES IN SEAT SLING ARE NOT PREPUNCHED.

SEAT SLING AND CUSHION (Quickie R2/TNT) (Quickie TNT discontinued 2/01-parts only)

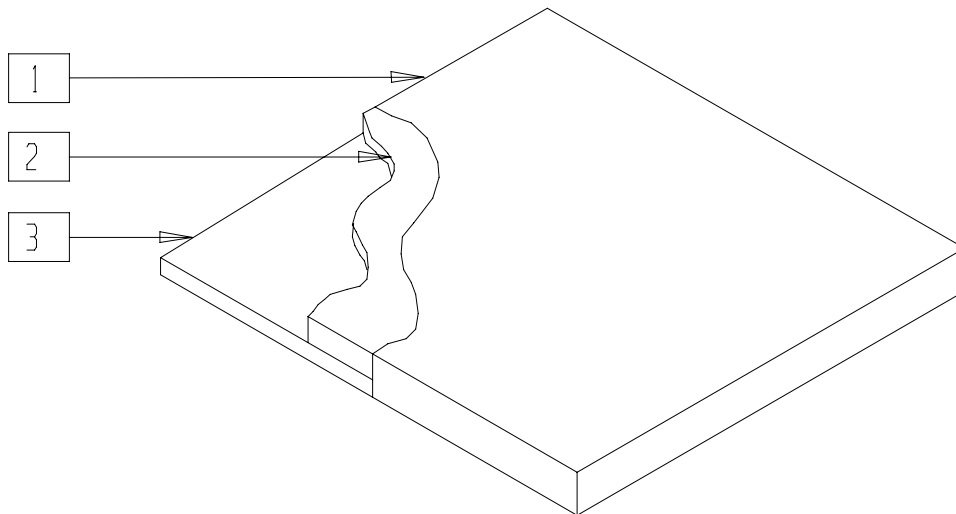


TNT00X12

ITEM	NUMBER	DESCRIPTION	QTY
1	721114- 721184	SEAT SLING QTNT 14" x 14" -20" x 18"	1
2	281122	10-32 x 3/4 PAN PHIL	8
3	505360- 505364	SEAT RAIL QTNT 14"-18"	2
4	901169	SEAT SLING VELCRO® STRIP 2"	2

ITEM	NUMBER	DESCRIPTION	QTY
5	701322- 701762	SEAT COVER 14" x 14" x 2" - 20" x 18" x 2"	1
6	105322- 105762	SEAT FOAM 14" x 14" x 2" - 20" x 18" x 2"	1
5,6	700322- 700762	SEAT CUSHION W/COVER AND FOAM 14" x 14" - 20" x 18"	

SOLID SEAT



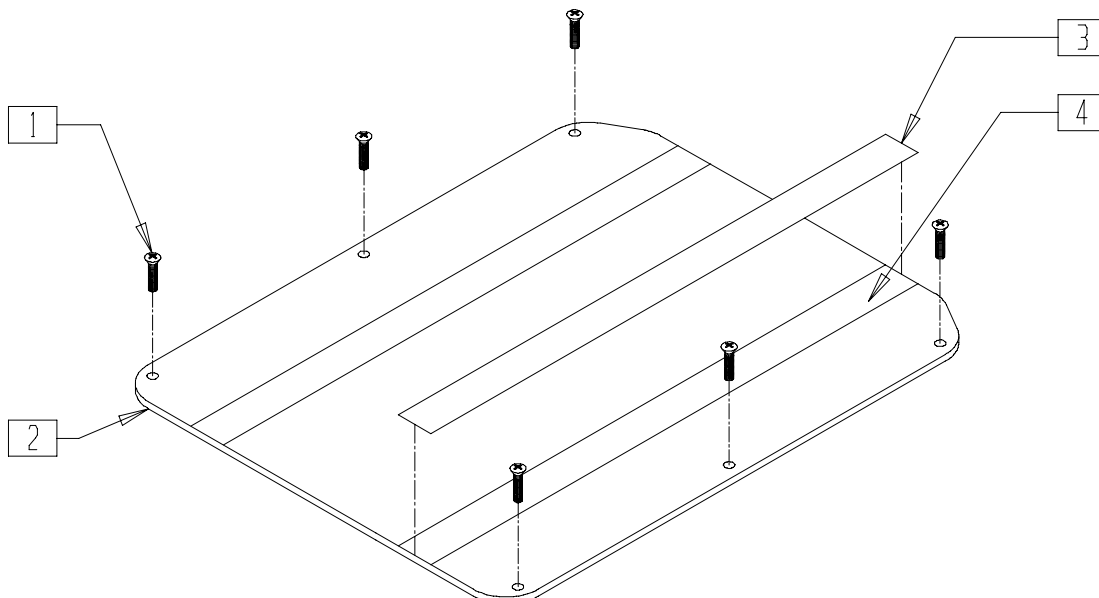
AC0X015

ITEM	NUMBER	DESCRIPTION	QTY
1	701001-701431	SEAT COVER 11" x 10" x 1" TO 15" x 15" x 1"	1
3	581010-581054	LEXAN SEAT	1

ITEM	NUMBER	DESCRIPTION	QTY
1-3	689311-689751	SOLID SEAT CUSHION W/LEXAN 11" x 10" x 1" TO 15" x 15" x 1"	

NOTE: FOR SOLID SEAT OVER 15" x 15", SEE REMOVABLE SOLID SEAT AND BACK (VELCRO®) ON PAGE 9.22.

SEAT PAN (QUICKIE T45)

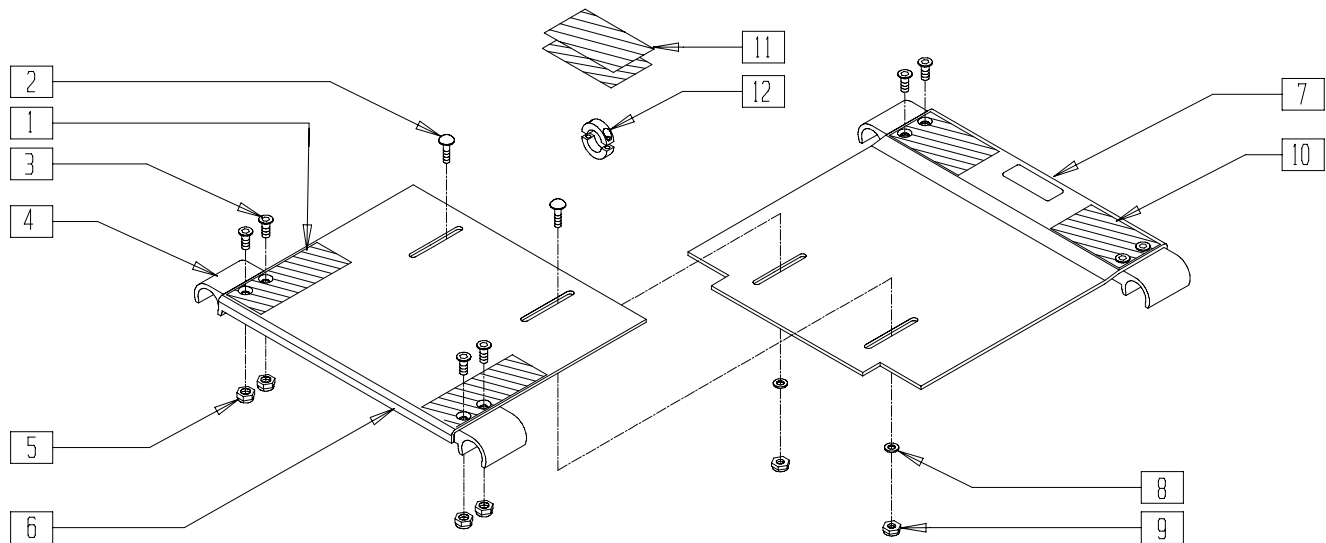


TSR00X18

ITEM	NUMBER	DESCRIPTION	QTY
1	281120	10-32 x 5/8 PAN HD PHIL	6
2,4	688201-688242	SEAT PAN ASSM T45 14" x 15" - 20" x 20"	

ITEM	NUMBER	DESCRIPTION	QTY
3	901172	LOW SEAT VELCRO® STRIP NON PS P300	2
4	901176	2" SEAT PAN VELCRO® STRIP PS	2

GROWING SEAT PAN (ZIPPIE TS)

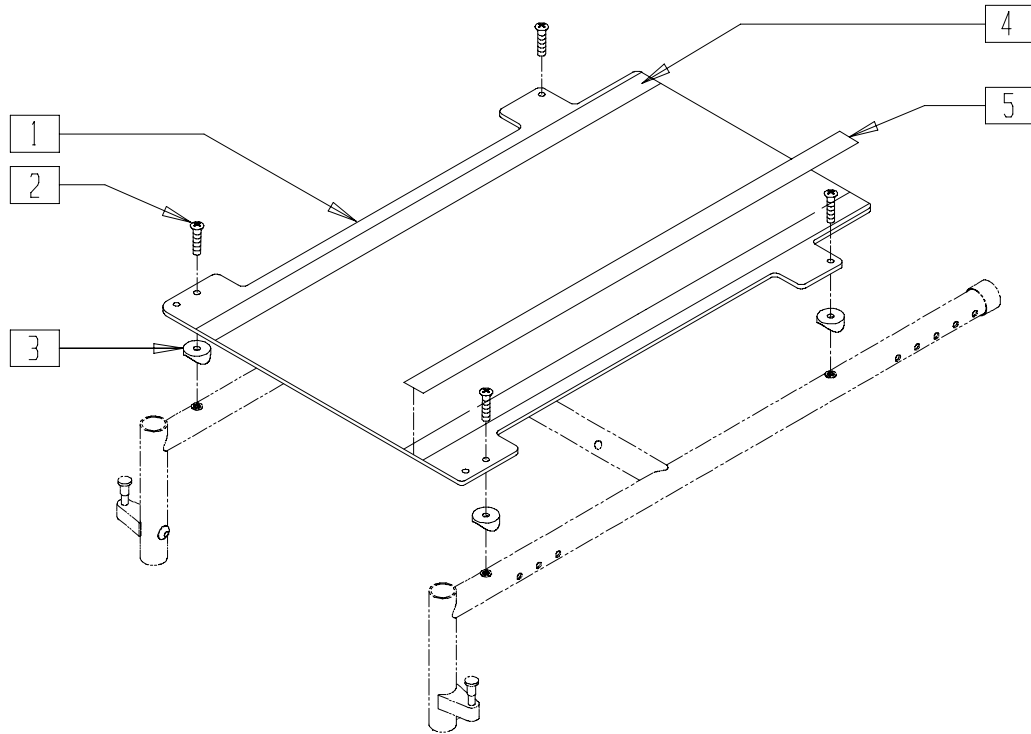


ZGS0X44A

ITEM	NUMBER	DESCRIPTION	QTY
1	751047	HOOK FASTENER ZGS FRONT	2
2	455036	1/4-28 x 9/16 SPEC ROUND HD	2
3	226105	1/4-28 x 3/4 FH C/S BLK	8
4	560112	SEAT SNAP ZGS	4
5	201110	1/4-28 NYLOCK NUT	8
6	124340-124348	SEAT PAN SHT, MED, LRG 10" x 10" 10"-14" x 10"-14" ZGS	1
	124359-124365	SEAT PAN SHT, MED, LRG, XLRG 10" x 16", 10"-16" x 16" ZGS	
7	124350-124358	SEAT PAN OFFSET SHT, MED, LRG 10"-14" x 10"-14" ZGS	1
	124370-124376	SEAT PAN OFFSET SHT XLRG 10"-16" x 16" ZGS	

ITEM	NUMBER	DESCRIPTION	QTY
8	262100-QU	1/4 AN WASHER FLAT	2
9	201100-QU	1/4-28 NYLOCK NUT THIN	2
10	751048	HOOK FASTENER ZGS REAR	2
11	751049	HOOK FASTENER ZGS FLOATING	2
12	342048	ADJ SEAT STOP 1"	2
1-12	703200-703203	SEAT PAN ASSEMBLY (10"-18" W) SHORT	
	703210-703213	SEAT PAN ASSEMBLY (10"-18" W) MED	
	703220-703223	SEAT PAN ASSEMBLY (10"-18" W) LONG	
	703230-703233	SEAT PAN ASSEMBLY (10"-18" W) XLONG	

SEAT PAN (QUICKIE TS)

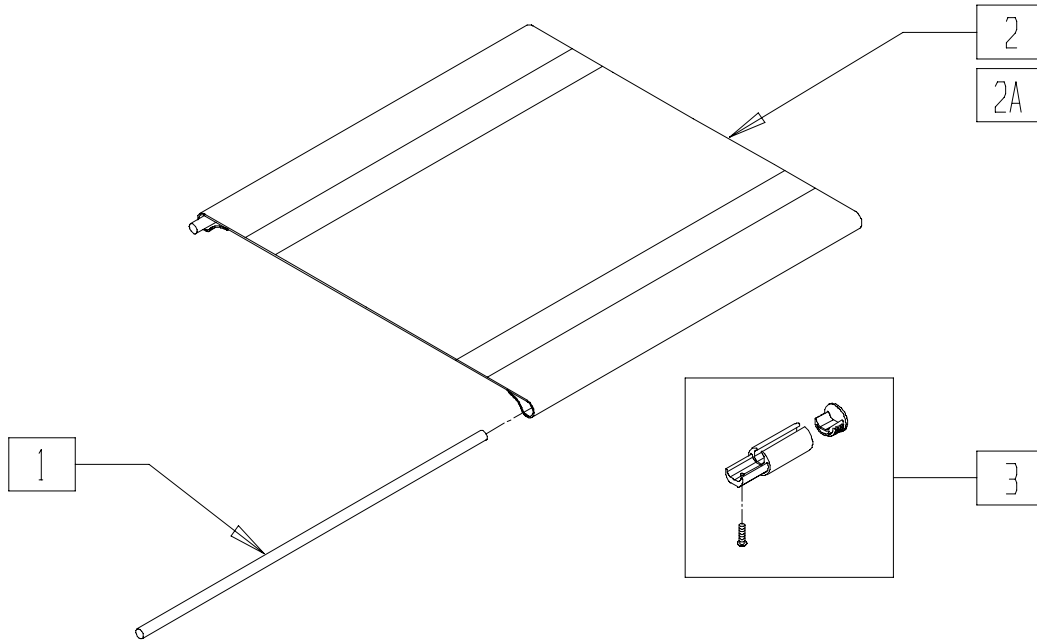


QTS30X08A

ITEM	NUMBER	DESCRIPTION	QTY
1,4	688174	SEAT PAN 14" x 14-17" SHORT FRAME	
	688175	SEAT PAN 15" x 14-17" SHORT FRAME	
	688176	SEAT PAN 16" x 14-17" SHORT FRAME	
	688177	SEAT PAN 17" x 14-17" SHORT FRAME	
	688178	SEAT PAN 18" x 14-17" SHORT FRAME	
	688179	SEAT PAN 19" x 14-17" SHORT FRAME	
	688180	SEAT PAN 20" x 14-17" SHORT FRAME	
1,4	688160	SEAT PAN 14" x 16-19" REG FRAME	
	688161	SEAT PAN 15" x 16-19" REG FRAME	
	688162	SEAT PAN 16" x 16-19" REG FRAME	
	688163	SEAT PAN 17" x 16-19" REG FRAME	
	688164	SEAT PAN 18" x 16-19" REG FRAME	
	688165	SEAT PAN 19" x 16-19" REG FRAME	
	688166	SEAT PAN 20" x 16-19" REG FRAME	

ITEM	NUMBER	DESCRIPTION	QTY
1,4	688167	SEAT PAN 14" x 19-22" LONG FRAME	
	688168	SEAT PAN 15" x 19-22" LONG FRAME	
	688169	SEAT PAN 16" x 19-22" LONG FRAME	
	688170	SEAT PAN 17" x 19-22" LONG FRAME	
	688171	SEAT PAN 18" x 19-22" LONG FRAME	
	688172	SEAT PAN 19" x 19-22" LONG FRAME	
	688173	SEAT PAN 20" x 19-22" LONG FRAME	
2	281122	10-32 x 3/4 PAN PHIL	4
3	561087	BACK RELEASE SADDLE RIGID	4
4	901176	2" SEAT VELCRO® STRIP NON PS	2
5	901175	2" SEAT VELCRO® STRIP NON PS	2

NON-PADDED SEAT SLING (CHAMELEON/CHAMELEON HD)

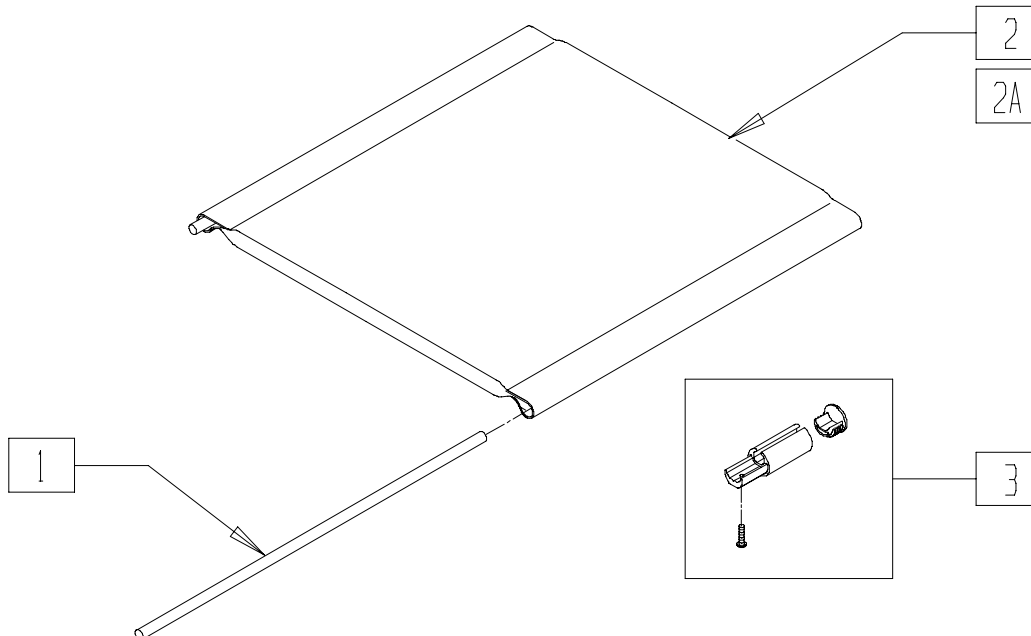


CHAM0X08

ITEM	NUMBER	DESCRIPTION	QTY
1	C2.1038- C2.1040	SEAT RAIL ROD (16"-20")	2
2	C2.5550- C2.5556, C2.4061	SEAT SLING 14x16 - 20x16 22x16	1

ITEM	NUMBER	DESCRIPTION	QTY
2A	C2.5564- C2.5570, C2.4062	SEAT SLING 14x18 - 20x18 22x18	1
2B	C2.4057- C2.4060	SEAT SLING 18x20 - 22x20	1
3	888083	2" SEAT RAIL EXTENSION ASSM	2

PADDED SEAT SLING (CHAMELEON)



CHAM0X18

ITEM	NUMBER	DESCRIPTION	QTY
1	C2.1038- C2.1040	SEAT RAIL ROD (16"-20")	2
2	C2.5557- C2.5563	PADDED SEAT SLING 14x16 - 20x16	1

ITEM	NUMBER	DESCRIPTION	QTY
2A	C2.5571- C2.5577	PADDED SEAT SLING 20x18	1
3	888083	2" SEAT RAIL EXTENSION ASSM	2