

# Trays and Custom Trays

## IN THIS SECTION

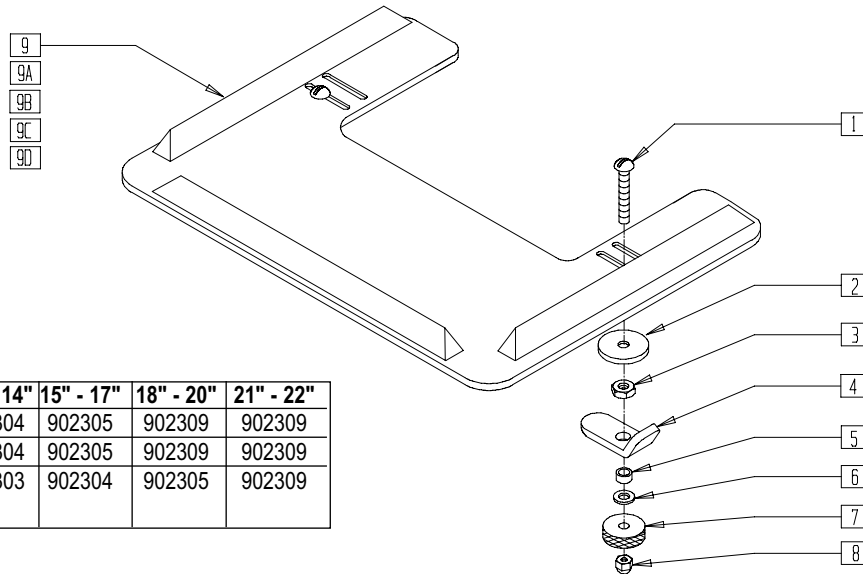
### STANDARD TRAYS

Tray Table .....	18.1
Tray (Quickie Kidz) .....	18.1

### CUSTOM TRAYS

Tray Ribs.....	18.2
Tray Hardware .....	18.3
Padded Stomach Cutout.....	18.3
Protractor Pad.....	18.4
Hinged Overlay (Non-removable).....	18.4
Removable Hinged Overlay.....	18.5

# TRAY TABLE



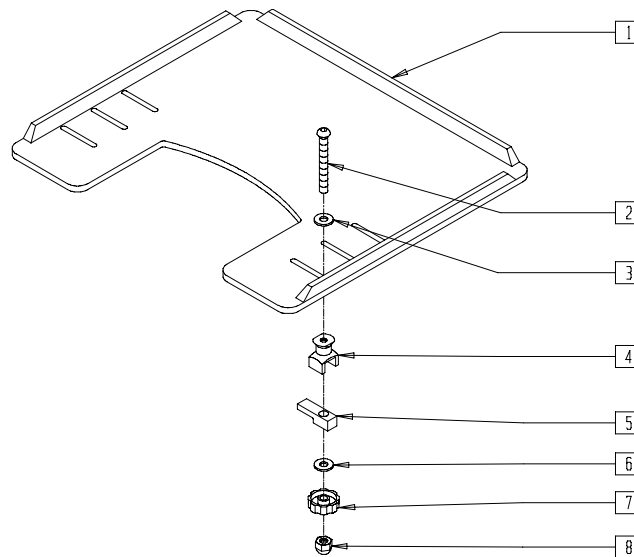
AC0X012A

CHAIR WIDTH	10" - 12"	13" - 14"	15" - 17"	18" - 20"	21" - 22"
QUICKIE TS	902303	902304	902305	902309	902309
ZIPPIE TS	902303	902304	902305	902309	902309
OTHER MANUAL WHEEL CHAIRS	902306	902303	902304	902305	902309

ITEM NUMBER	DESCRIPTION	QTY
1	226199 5/16-18 x 3 1/2 CARR BOLT	2
2	263112 5/16 WASHER FENDER	2
3	202110 5/16-18 NUT THIN	2
4	550400 TRAY CLAMP	2
5	481113 SPACER 5/16 X .380	2
6	263100 5/16 AN WASHER FLAT	2
7	483026 KNURLED TRAY KNOB	2
8	202112 5/16-18 ACORN NUT	2
1-8	881051 TRAY HARDWARE KIT TUFFAK NEW STYLE	

ITEM NUMBER	DESCRIPTION	QTY
9	562619 TRAY TOP EX-SM W/RAIL	1
9A	562620 TRAY TOP SM W/RAIL	1
9B	562621 TRAY TOP MED W/RAIL	1
9C	562622 TRAY TOP LRG W/RAIL	1
9D	562623 TRAY TOP X-LRG W/RAIL	1
1-9	902306 TRAY ASSEMBLY EX-SM TUFFAK	
1-8,9A	902303 TRAY ASSEMBLY SM TUFFAK	
1-8,9B	902304 TRAY ASSEMBLY MED TUFFAK	
1-8,9C	902305 TRAY ASSEMBLY LRG TUFFAK	
1-8,9D	902309 TRAY ASSEMBLY X-LRG TUFFAK	

# TRAY (QUICKIE KIDZ)

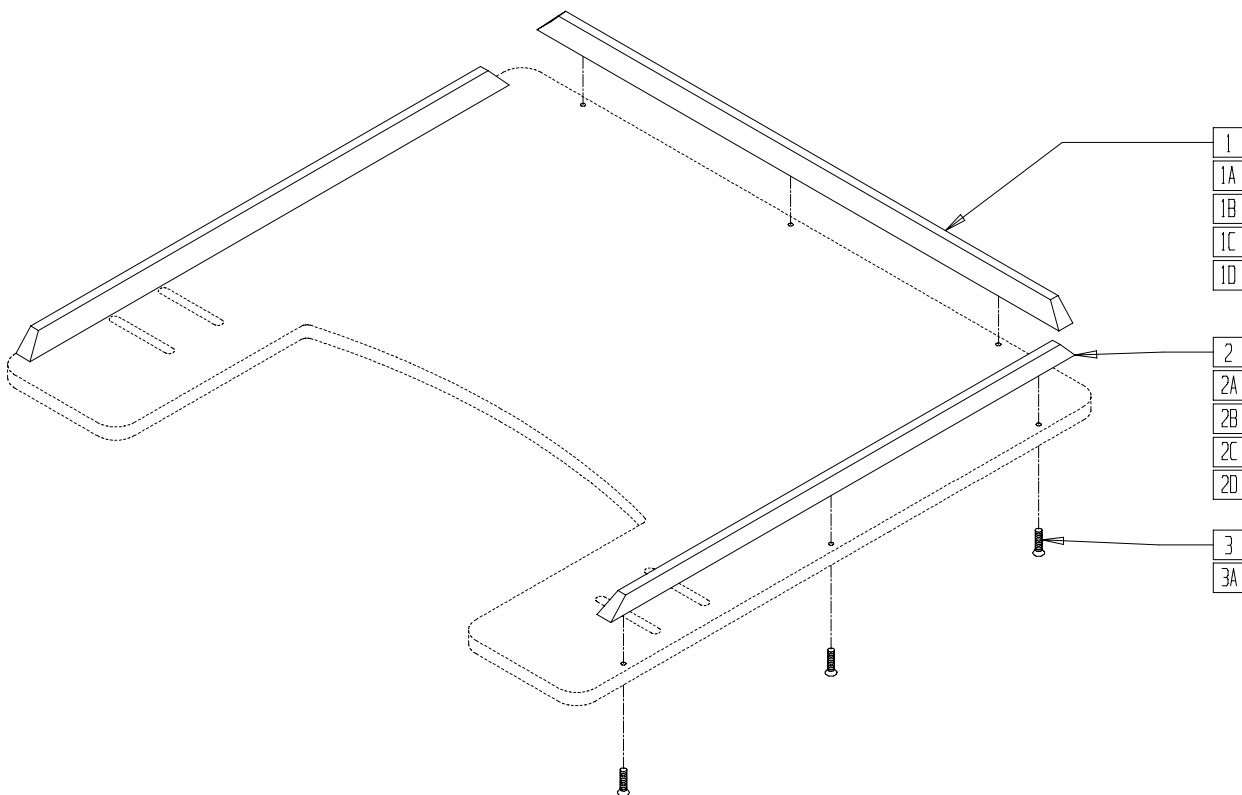


AC0X025

ITEM NUMBER	DESCRIPTION	QTY
1	562619 TRAY TOP EX-SM W/RAIL 10"-12"	1
	562620 TRAY TOP SM W/RAIL 13"-14"	
	562621 TRAY TOP MED W/RAIL 15"-17"	
	562622 TRAY TOP LRG W/RAIL 18"-20"	
2	2021 5/16-18 x 2 3/4 BUTTON HD C/S	2
3	2709 .625 x .315 x .031 NYLON WASHER	2
4	14240 TRAY BUSHING	2
5	14230 TRAY LOCK BAR	2

ITEM NUMBER	DESCRIPTION	QTY
6	2705 1/4" FLAT WASHER	2
7	14220 TRAY KNOB	2
8	202114 5/16-18 ACORN LOCK NUT	2
2-8	881053 TRAY HARDWARE ADJ ARM PWR (14219)	
1-8	902330 TRAY ASSM X-SM TUFFAK 10"-12"/CAM	
	902331 TRAY ASSM SM TUFFAK 13"-14"/CAM	
	902332 TRAY ASSM MED TUFFAK 15"-17"/CAM	
	902333 TRAY ASSM LRG TUFFAK 18"-20"/CAM	

# TRAY RIBS



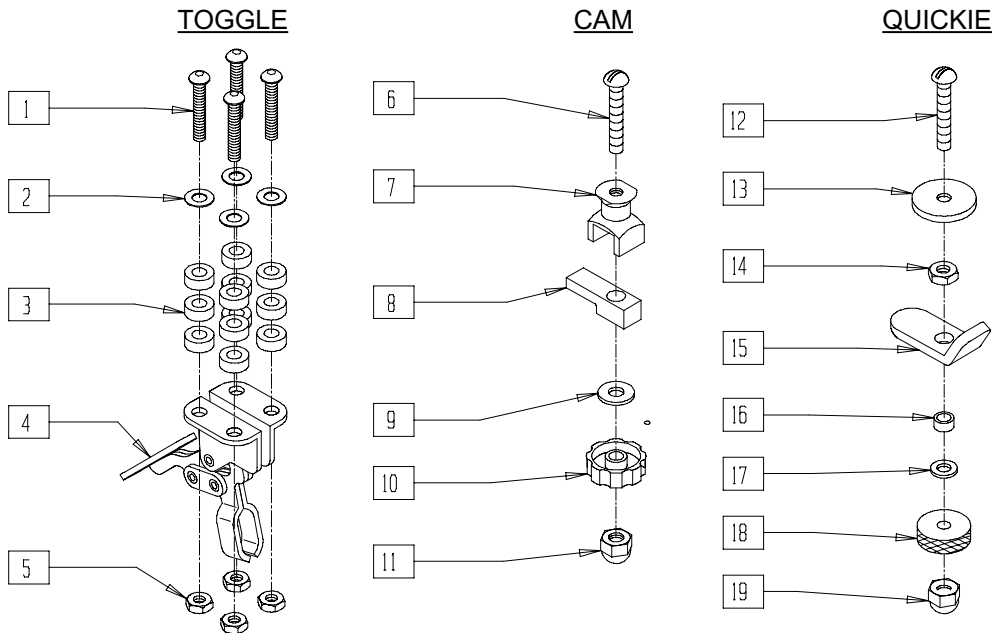
AC0X032

ITEM	NUMBER	DESCRIPTION	QTY
<b>STANDARD WOOD RIBS</b>			
1	9004	19" WOOD TRAY RIBS (EA)	1
	9005	21" WOOD TRAY RIBS (EA)	
	9006-QU	23 1/2" WOOD TRAY RIBS (EA)	
2	9003	15 1/2" WOOD TRAY RIBS (EA)	2
	9004	19" WOOD TRAY RIBS (EA)	
	9005	21" WOOD TRAY RIBS (EA)	
<b>HEAVY-DUTY RIBS FOR WOOD TRAYS</b>			
1A	9010	19" HD RIB FOR WOOD TRAY (EA)	1
	9013	21" HD RIB FOR WOOD TRAY (EA)	
	9016	23 1/2" HD RIB FOR WOOD TRAY (EA)	
2A	9007-QU	15 1/2" HD RIB FOR WOOD TRAY (EA)	2
	9010	19" HD RIB FOR WOOD TRAY (EA)	
	9013	21" HD RIB FOR WOOD TRAY (EA)	
<b>HEAVY-DUTY RIBS FOR 3/8" TUFFAK TRAYS</b>			
1B	9011-QU	19" HD RIB FOR 3/8" TUFFAK (EA)	1
	9014	21" HD RIB FOR 3/8" TUFFAK (EA)	
	9017	23 1/2" HD RIB FOR 3/8" TUFFAK (EA)	
2B	9008-QU	15 1/2" HD RIB FOR 3/8" TUFFAK (EA)	2
	9011	19" HD RIB FOR 3/8" TUFFAK (EA)	
	9014	21" HD RIB FOR 3/8" TUFFAK (EA)	

ITEM	NUMBER	DESCRIPTION	QTY
<b>HEAVY-DUTY RIBS FOR 1/4" TUFFAK TRAYS</b>			
1C	9012-QU	19" HD RIB FOR 1/4" TUFFAK (EA)	1
	9015	21" HD RIB FOR 1/4" TUFFAK (EA)	
	9018	23 1/2" HD RIB 1/4" TUFFAK (EA)	
2C	9009	15 1/2" HD RIB 1/4" TUFFAK (EA)	2
	9012	19" HD RIB 1/4" TUFFAK (EA)	
	9015	21" HD RIB 1/4" TUFFAK (EA)	
<b>ALUMINUM RIBS</b>			
1D	14081	19" ALUMINUM TRAY RIB	1
	14082	21" ALUMINUM TRAY RIB	
	14083	23 1/2" ALUMINUM TRAY RIB	
2D	14080-QU	15 1/2" ALUMINUM TRAY RIB	2
	14081	19" ALUMINUM TRAY RIB	
	14082	21" ALUMINUM TRAY RIB	
<b>HARDWARE</b>			
3	2268	#6 x 5/8" OVAL PHILLIPS SCREW	9
3A	230047	#6 x 3/4" FH PHIL S/M SCREW	9

NOTE: ONE 19" RIB AND TWO 15 1/2" RIBS FIT THE EXTRA-SMALL, SMALL, 9-0 AND 9-1 TRAY TABLES.  
 ONE 21" RIB AND TWO 19" RIBS FIT THE MEDIUM AND 9-2 TRAY TABLES.  
 ONE 23 1/2" RIB AND TWO 21" RIBS FIT THE LARGE, 9-2, 9-5, AND 9-6 TRAY TABLES.

# TRAY HARDWARE

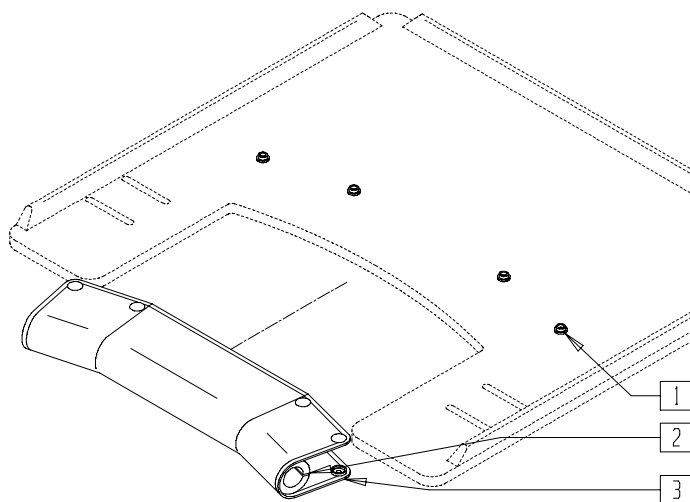


AC0X028

ITEM	NUMBER	DESCRIPTION	QTY
1	2249	5/16-18 x 1 1/2 BH C/S BLK	8
2	2709	.625 x .135 x .031 NYLON WASHER	8
3	2710	.609 x .250 x .250 NYLON SPACER	24
5	202110	5/16-18 NUT THIN	8
6	2021	5/16-18 x 2 3/4 BUTTON HD C/S	2
7	14240	TRAY BUSHING	2
8	14230	TRAY LOCK BAR	2
9	2705	1/4" FLAT WASHER	2
10	14220	TRAY KNOB	2
11	202114	5/16-18 ACORN LOCK NUT	2
12	226199	5/16-18 x 3 1/2 CARR BOLT	2
13	263112	5/16 WASHER FENDER	2

ITEM	NUMBER	DESCRIPTION	QTY
14	202110	5/16-18 NUT THIN	2
15	550400	TRAY CLAMP	2
16	481013	BEARING SPACER	2
17	263100	5/16 AN WASHER FLAT	2
18	483026	KNURLED TRAY KNOB	2
19	202112	5/16-18 ACORN NUT	2
1-5	4099	TOGGLE CLAMP - HIDEAWAY	
6-11	881053	TRAY HARDWARE ADJ ARM PWR (14219)	
12-19	881051	TRAY HDWR KIT TUFFAK NEW STYLE (9QH)	

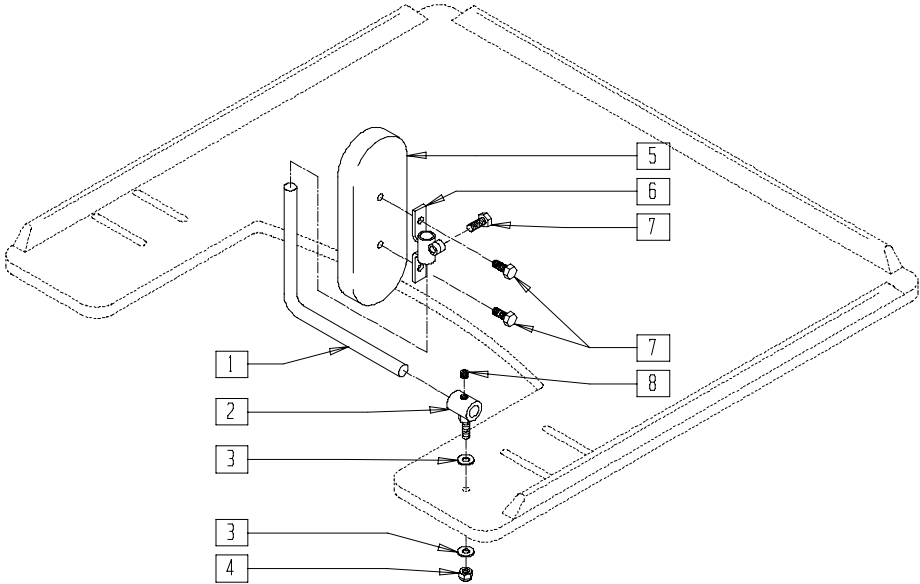
## PADDED STOMACH CUTOUT



AC0X031

1-3	9PS	PADDED STOMACH CUT OUT (SPECIFY COLOR)	
-----	-----	---	--

# PROTRACTOR PAD

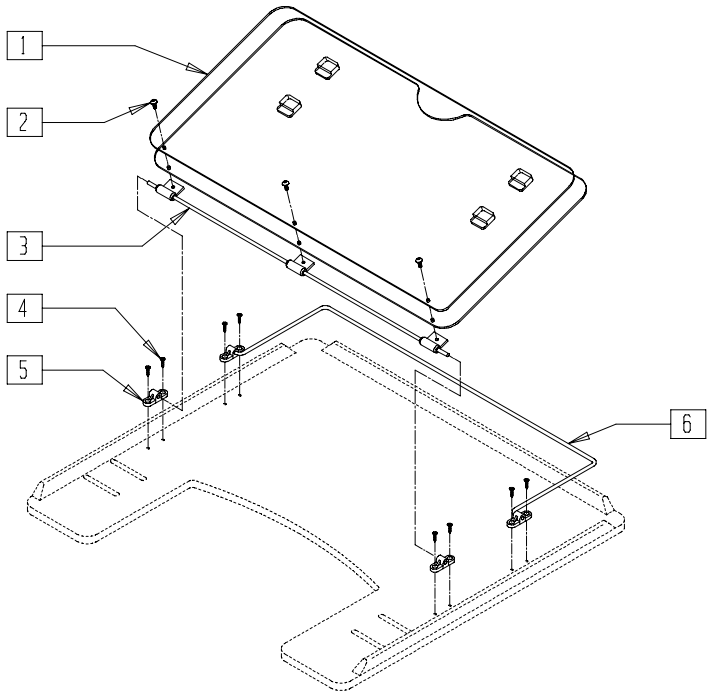


AC0X034

ITEM	NUMBER	DESCRIPTION	QTY
1	450752	HEADREST ADJUSTMENT BAR	2
2	450751	HEADREST PAD BUSHING	2
3	2702	#10 SAE FLAT WASHER	4
4	201136	1/4-20 NYLOCK NUT HIGH	2
5	15013-15022	PAD	2

ITEM	NUMBER	DESCRIPTION	QTY
6	450750	HEADREST PAD BRACKET	2
7	221105-QU	1/4-20 x 3/4" HEX C/S	6
8	2270	5/16-18 x 1/4" SOC SET SCREW	2
1-8	14980	TRAY PROTRACTOR PAD ASSEMBLY (PR) (SPECIFY COLOR AND SIZE)	

# HINGED OVERLAY (NON-REMOVABLE)

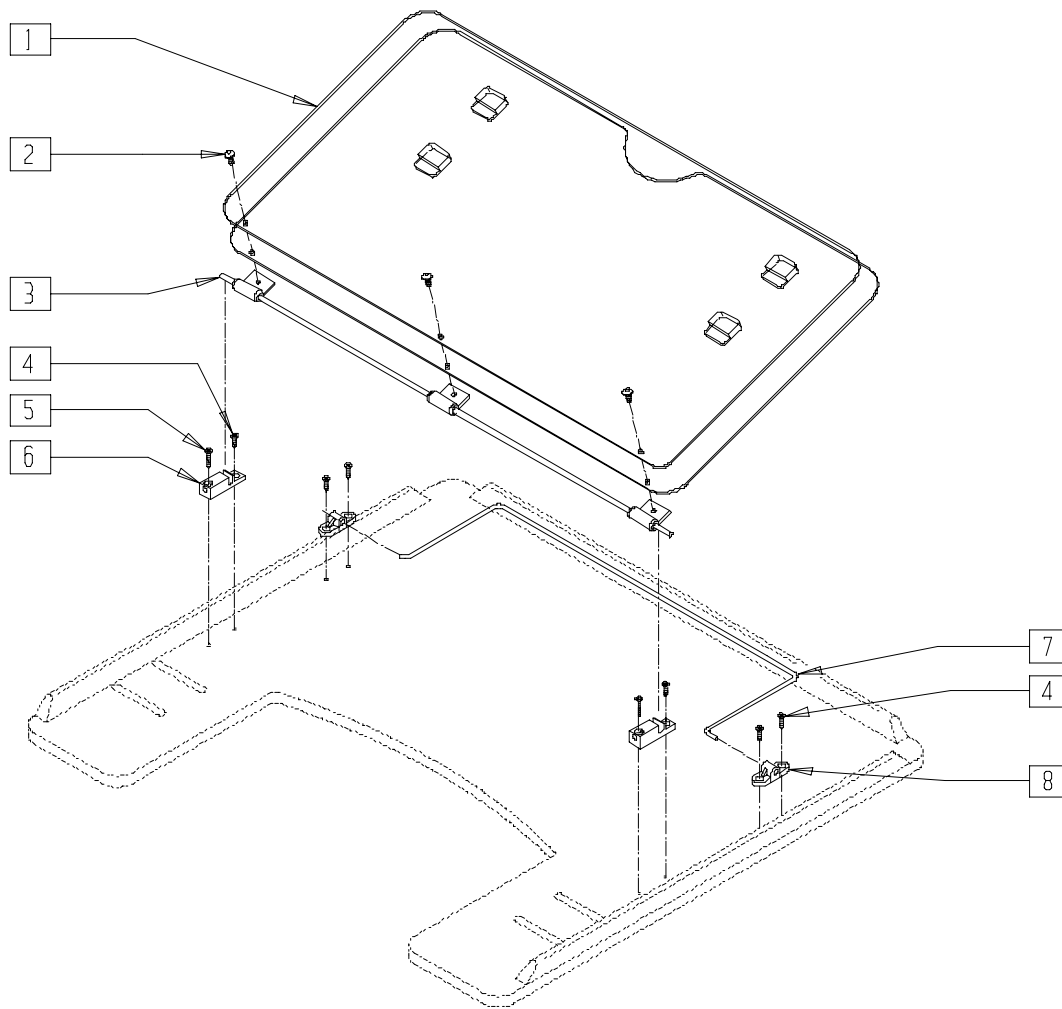


AC0X038

ITEM	NUMBER	DESCRIPTION	QTY
1,2	17916-17918	OVERLAY	
2	226017	10-32 x 3/8 BH C/S BLK	3
3	17922-17929	OVERLAY PIVOT BAR	1
4	2266	#6 x 1/2" FL DH PHL SCREW	8

ITEM	NUMBER	DESCRIPTION	QTY
5	4061	TRAY OVERLAY MOUNTING BRACKET	4
6	17925-17928	OVERLAY ROD	1
1-6	17919-17921	OVERLAY ASSEMBLY	

# REMOVABLE HINGED OVERLAY



AC0X029

ITEM	NUMBER	DESCRIPTION	QTY
1	17916-17939	OVERLAY	1
2	226017	10-32 x 3/8 BH C/S BLK	3
3	17922-17929	HINGED OVERLAY PIVOT BAR	1
4	2266	#6 x 1/2" FL DH PHL SCREW	4
5	230047	#6 x 3/4" FH PHIL S/M SCREW	2

ITEM	NUMBER	DESCRIPTION	QTY
6	14232	TRAY OVERLAY - QUICK RELEASE	2
7	17925-17928	TRAY OVERLAY ROD	1
8	4061	TRAY OVERLAY MOUNTING BRACKET	2
1-8	17903-17906	OVERLAY ASSEMBLY	