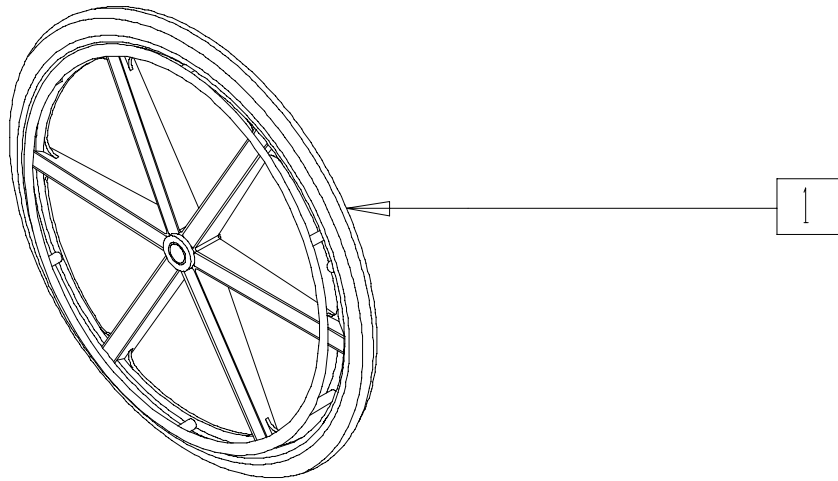


Wheels

IN THIS SECTION

Six-spoke Mag Assembly (20"/22"/24") (Most Quickie/Breezy Products)	19.1	Handrim, Screw Mount 6-hole (20"/22"/24" Mag Wheel).....	19.8
Six-spoke Mag Assembly (Most Quickie/Breezy Products)	19.1	Handrim, Screw Mount 6-hole (20"/22"/24" Spoke Wheel, Painted Handrim).....	19.9
Six-spoke Mag Assembly with Composite Handrim (Breezy 510/510 Recliner/2(Disc.)/600) ...	19.2	Handrim, Screw Mount 6-hole (20"/22"/24" Mag Wheel, Painted Handrim).....	19.9
Six-spoke Mag Assembly (Quickie LX/LXI)	19.2	22" Screw Mount 6-hole Handrim (for 24" Spoke Wheel) (Quickie M6)	19.10
Six-spoke Mag Rim Assembly (20"/22"/24")	19.3	Projection Handrim (20"/22"/24"/26" Spoke Wheels).....	19.10
Composite Handrim (Breezy 500/510/510 Recliner/2/600)	19.3	Projection Handrim 6-Spoke (20"/22"/24" Mag Wheels)	19.11
Rear Wheel Rim Assembly - Spoke (Disc.)	19.4	Handrims (Tab Mount, 18"/22"/23"/24"/26" Spoke Wheels)...	19.11
Rear Wheel Rim Assembly - Spoke	19.4	Wheel Assembly - Knobbie Tire (Quickie XTR)....	19.12
Rear Wheel Assembly - Spoke	19.5	Tires and Tubes	19.13
Rear Wheel Rim Assembly - Spoke (Quickie <i>TNT</i>) (Disc.)	19.5	Rear Wheel (Quickie Kidz/T45/TS)	19.13
Rear Wheel Assembly - Spoke (Quickie <i>TNT</i>) (Disc.)	19.6	Rear Wheel Retro Kit With Anti-Tips (12") (Zippie TS)	19.14
Rear Wheel Assembly (Quickie M6).....	19.6	Tire Reference Guide	19.15
Rear Wheel Assembly (Breezy 100).....	19.7		
Rear Wheel Assembly (Breezy 150).....	19.7		
Handrim, Screw Mount 6-hole (20"/22"/24" Spoke Wheel).....	19.8		

SIX-SPOKE MAG ASSEMBLY (20"/22"/24") (MOST QUICKIE/ BREEZY PRODUCTS)



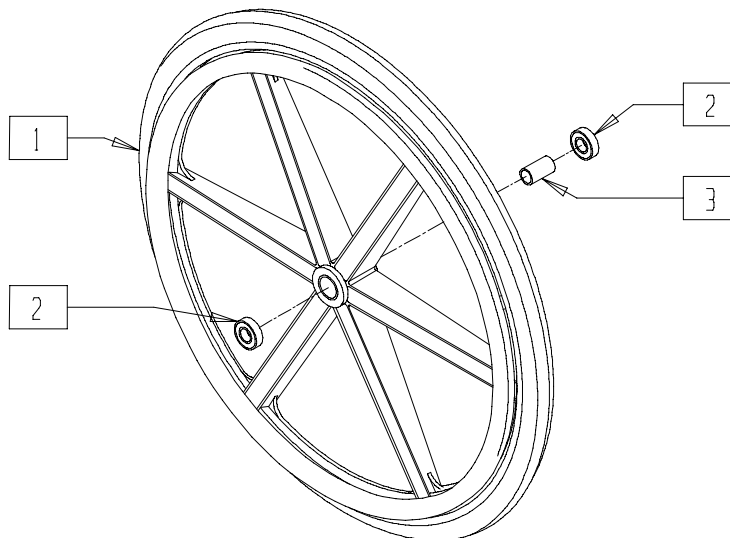
WHL00X12

ITEM	NUMBER	DESCRIPTION	QTY
1	760062-760088	REAR WHEEL MAG ASSEMBLY 20"	1
	760800-760807	REAR WHEEL MAG ASSEMBLY PAINTED HR 20" BR	
	760030-760056	REAR WHEEL MAG ASSEMBLY 22"	

*NOTE: P/N 760830 COMES WITHOUT HAND RIM.

ITEM	NUMBER	DESCRIPTION	QTY
1	760830*, 760831, 760844, 760845	REAR WHEEL MAG ASSEM PAINTED HR 22" BR	1
	760720-760782	REAR WHEEL MAG ASSEMBLY 24"	
	760790-760796	REAR WHEEL MAG ASSEMBLY PAINTED HR 24" BR	
	760890-760895	24" MAG L POLY HR COMP BR	

SIX-SPOKE MAG ASSEMBLY (BREEZY 500/503) (MOST QUICKIE/ BREEZY PRODUCTS)

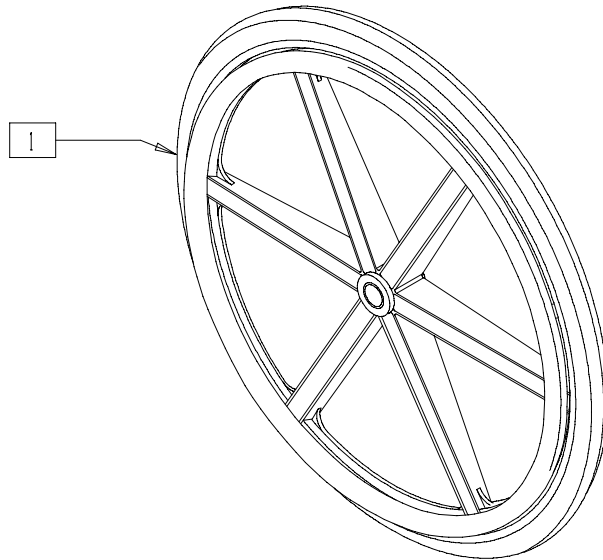


BASIC11

ITEM	NUMBER	DESCRIPTION	QTY
2	349500	BEARING 1 1/8 x 1/2	2
3	521564	MAG BEARING SPACER	1
1,2	760890	24" MAG LPOLY HR COMP BR	

ITEM	NUMBER	DESCRIPTION	QTY
1-3	760892	24" MAG W/MOLD ON TIRE HR PAINTED	
	760893	24" MAG W/MOLD ON TIRE HR PLASTIC	

SIX-SPOKE MAG ASSEMBLY WITH COMPOSITE HANDRIM
(BREEZY 510/510 RECLINER/2/600)
 (Breezy 2 discontinued 5/98 - parts only)

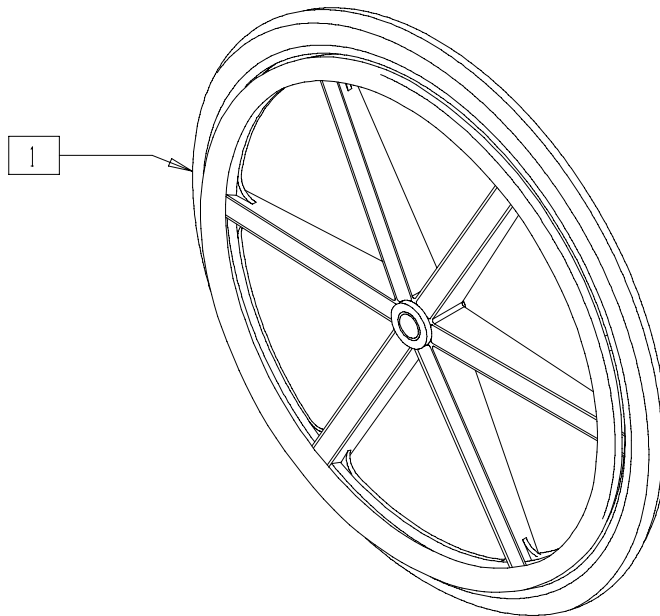


WH0X21

ITEM	NUMBER	DESCRIPTION	QTY
1	760910-760916	20" MAG HR COMP BR	1
	760918-760924	22" MAG HR COMP BR	

ITEM	NUMBER	DESCRIPTION	QTY
1	760890-760905	24" MAG HR COMP BR	1

SIX-SPOKE MAG ASSEMBLY WITH LOW POLY(QUICKIE LX/LXI)

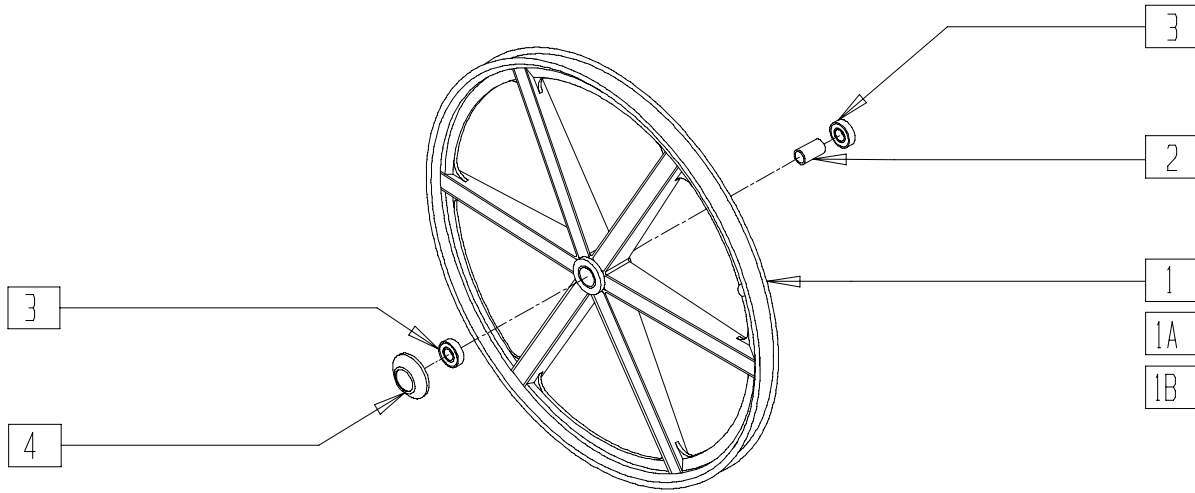


WH0X24

ITEM	NUMBER	DESCRIPTION	QTY
1	760020-760024	20" MAG 6-SPOKE LOW POLY	1

ITEM	NUMBER	DESCRIPTION	QTY
1	760025-760029	22" MAG 6-SPOKE LOW POLY	1

SIX-SPOKE MAG RIM ASSEMBLY (20"/22"/24")



WHLOX12

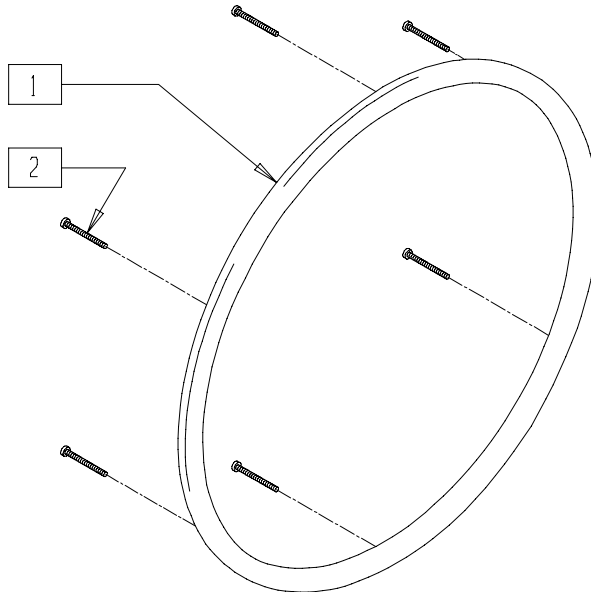
ITEM	NUMBER	DESCRIPTION	QTY
1	364371	20" MAG RIM 6 SPOKE	1
1A	364373	22" MAG RIM 6 SPOKE	1
1B	364376	24" MAG RIM 6 SPOKE	1
2	521564	MAG BEARING SPACER	1
3	349500	1 1/8 x 1/2 BEARING	2
4	561068	SIX SPOKE MAG AXLE CAP	1

ITEM	NUMBER	DESCRIPTION	QTY
1-3	401094	20" MAG W/BEARING 6 SPOKE	
1A,2,3	401093	22" MAG W/BEARING 6 SPOKE	
1B,2,3	401092	24" MAG W/BEARING 6 SPOKE	
1-3	401095*	20" MAG W/BEARING 6 SPOKE BR	
1A,2,3	401096*	22" MAG W/BEARING 6 SPOKE BR	
1B,2,3	401097*	24" MAG W/BEARING 6 SPOKE BR	

NOTE: ORDER MAG AXLE CAP (P/N 561068) FOR CHAIRS WITH THREADED AXLES ONLY FITS ONLY 20" RIMS.
 * FITS BREEZY CHAIRS BEGINNING WITH SERIAL NUMBER BZ-200000.

COMPOSITE HANDRIM (BREEZY 500/510/510 RECLINER/2/600)

(Breezy 2 discontinued 5/98 - parts only)



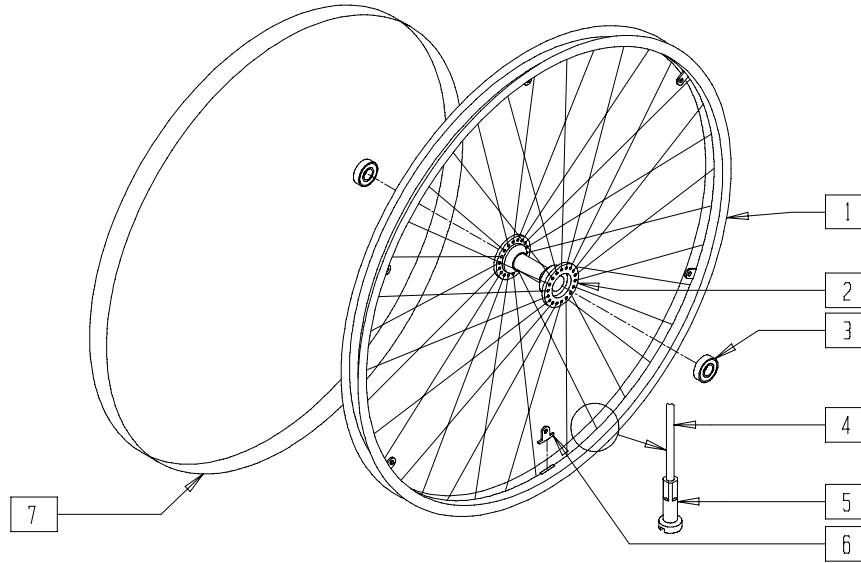
WH0X20

ITEM	NUMBER	DESCRIPTION	QTY
1	561246	20" COMPOSITE HANDRIM	1
	561248	22" COMPOSITE HANDRIM	
	561250	24" COMPOSITE HANDRIM	
2	220100	#10 x 2 1/4 SELF TAPPING SCREW	6

ITEM	NUMBER	DESCRIPTION	QTY
1,2	426022	20" HR 6SMT COMPOSITE W/HDWR	
	426021	22" HR 6SMT COMPOSITE W/HDWR	
	426020	24" HR 6SMT COMPOSITE W/HDWR	

REAR WHEEL RIM ASSEMBLY - SPOKE

(Discontinued 9/21/98 - parts only)



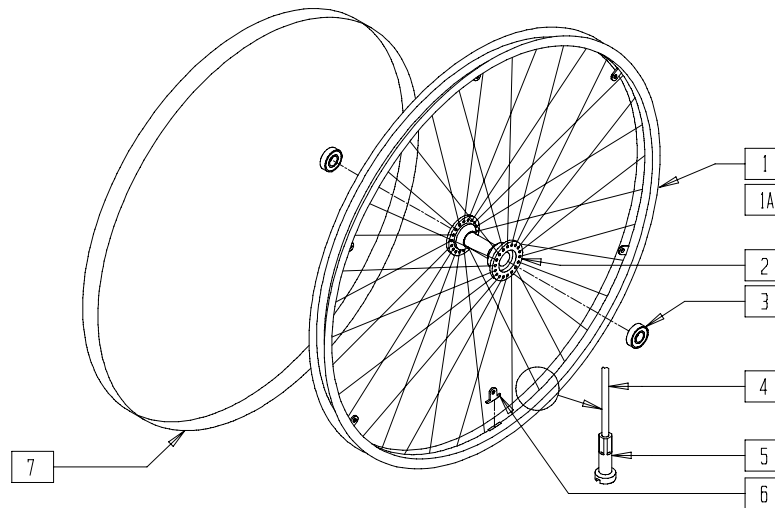
WH0X02

ITEM	NUMBER	DESCRIPTION	QTY
1	364250-364325	WHEEL RIM 20"- 26"	1
2	363250	REAR WHEEL HUB W/BEARINGS	1
3	349500	1 1/8 x 1/2 BEARING	2
4	362250-362325	SPOKES	36

ITEM	NUMBER	DESCRIPTION	QTY
5	361250	SPOKE NIPPLE 5/8" BRASS ZN	36
6	505068	HR SCREW MT TAB	6
7	381250-381300	RIM STRIP 20"-26"	1
1-7	401010-401025	RIM ASSEMBLY 20"-26"	

REAR WHEEL RIM ASSEMBLY - SPOKE

(Effective 9/21/98)



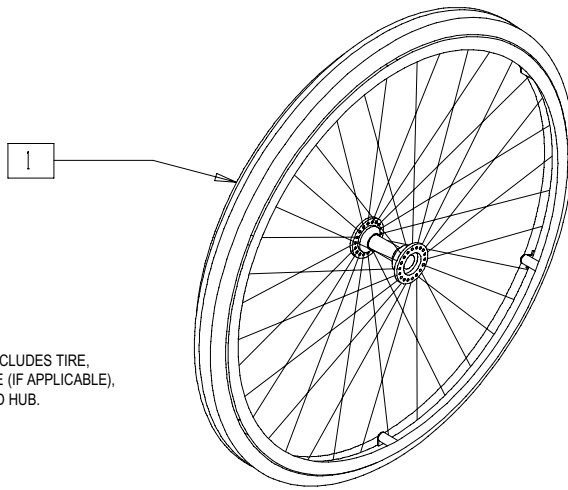
WH0X02A

ITEM	NUMBER	DESCRIPTION	QTY
1	364250-364325	WHEEL RIM 20"-26"	1
1A	364231	18" WHEEL RIM (4-HOLE)	1
2*	363258	REAR WHL HUB W/BEARINGS PUSH BUTTON	1
3	349500	1 1/8 x 1/2 BEARING	2
4	362250-362325	SPOKES	36

ITEM	NUMBER	DESCRIPTION	QTY
5	361250	SPOKE NIPPLE 5/8" BRASS ZN	36
6	505068	HR SCREW MT TAB	6
7	381245-381300	RIM STRIP 18"-26"	1
1-7	401070-401077	RIM ASSEMBLY PUSH BUTTON 20"-26"	
1A,2-5,7	401069	RIM ASSEMBLY (4T) PUSH BUTTON 18"	

* ITEM 2 REQUIRES BIG BUTTON AXLE

REAR WHEEL ASSEMBLY - SPOKE



NOTE: COMPLETE ASSEMBLY INCLUDES TIRE, RIM, HANDRIM, BEARINGS, TUBE (IF APPLICABLE), RIM STRIP, SPOKE, NIPPLES AND HUB.

WH0X01

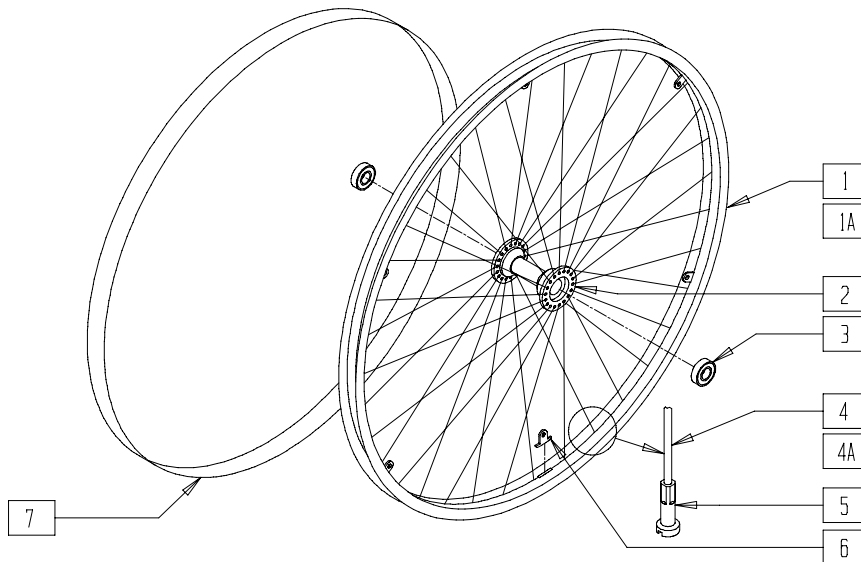
ITEM	NUMBER	DESCRIPTION	QTY
1	760201-760204	REAR WHEEL ASSEMBLY 18"	1
	760090-760136	REAR WHEEL ASSEMBLY 20"	
	760140-760205	REAR WHEEL ASSEMBLY 22"	
	760260-760421	REAR WHEEL ASSEMBLY 24"	

ITEM	NUMBER	DESCRIPTION	QTY
1	760600-760610	REAR WHEEL ASSEMBLY 24" CLINCHER	1
	760505-760545	REAR WHEEL ASSEMBLY 26" CLINCHER	
	760550-760560	REAR WHEEL ASSEMBLY 26" CLINCHER	

NOTE: 22" THRU 26" ASSEMBLIES REQUIRE BIG BUTTON AXLE AS OF 9/21/98.

REAR WHEEL RIM ASSEMBLY - SPOKE (QuickieTNT)

(Quickie TNT discontinued 2/01 - Parts only.)



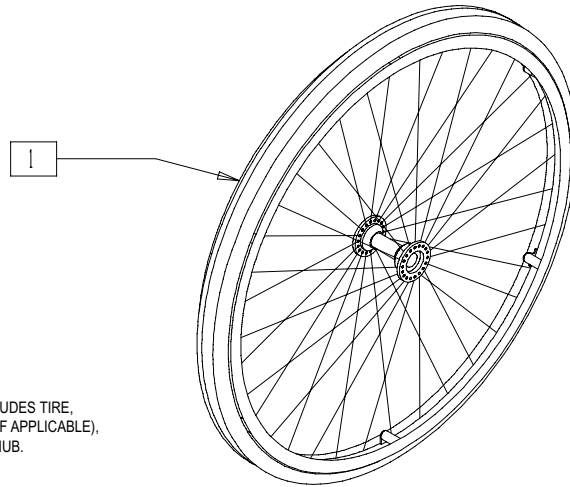
TNT00X16

ITEM	NUMBER	DESCRIPTION	QTY
1	364301	24" WHEEL RIM (540mm) SLOTTED	1
1A	369011	24" HT/26" RIM 36H (559 x 23)	1
2	363253, 363254	2" WHEEL HUB W/BEARINGS	1
3	349500	1 1/8 x 1/2 BEARING	2
4	362300	QP SPOKE 244mm x 2.0	36
4A	362506	QP SPOKE 254mm x 2.0 (14g)	36

ITEM	NUMBER	DESCRIPTION	QTY
5	361250	SPOKE NIPPLE 5/8" BRASS ZN	36
6	505068	HR SCREW MT TAB	6
7	381275	24" RIM STRIP	1
1-7	401018, 401019	24" RIM ASSEMBLY	
1A,2,3, 4A,5-7	401028, 401029	24" HT RIM ASSEMBLY	

REAR WHEEL ASSEMBLY - SPOKE (QUICKIE TNT)

(Quickie TNT discontinued 2/01 - Parts only.)



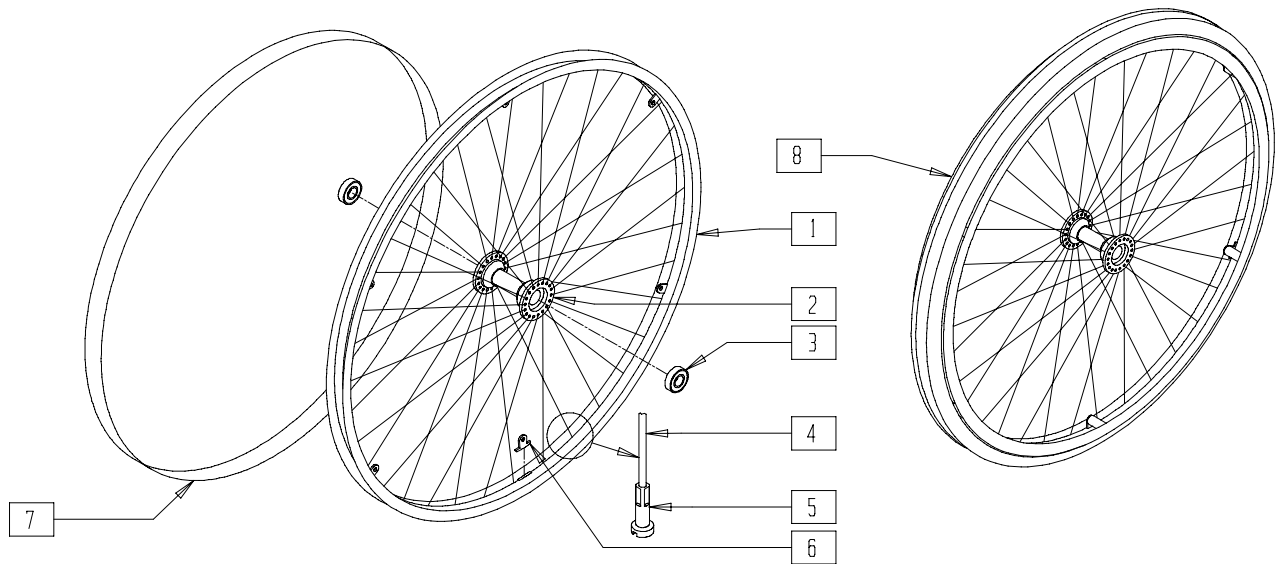
NOTE: COMPLETE ASSEMBLY INCLUDES TIRE, RIM, HANDRIM, BEARINGS, TUBE (IF APPLICABLE), RIM STRIP, SPOKE, NIPPLES AND HUB.

TNT00X17

ITEM	NUMBER	DESCRIPTION	QTY
1	762700-762788	REAR WHEEL ASSEMBLY PURPLE	1

ITEM	NUMBER	DESCRIPTION	QTY
1	763700-763788	REAR WHEEL ASSEMBLY TURQ	1

REAR WHEEL ASSEMBLY (QUICKIE M6)

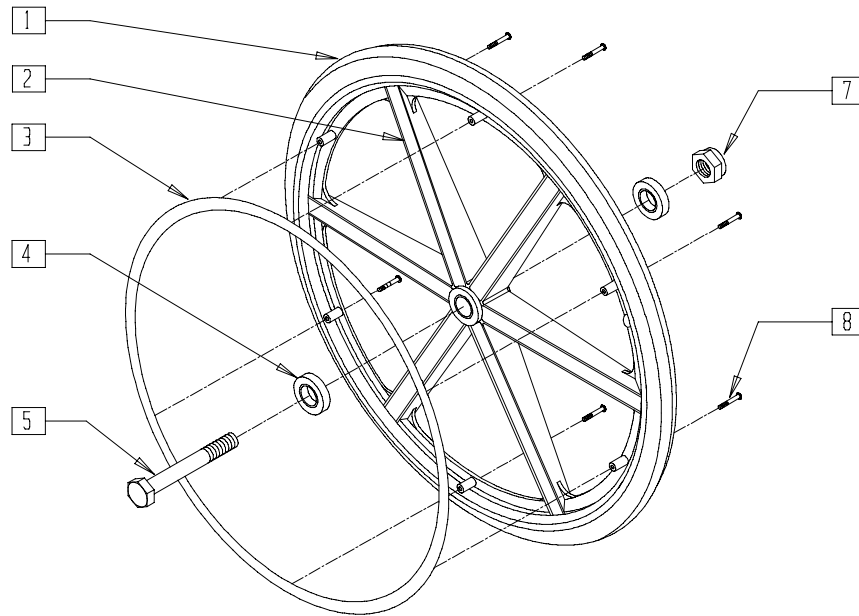


MAG00X24

ITEM	NUMBER	DESCRIPTION	QTY
1	364340	24" x L25 WHEEL RIM 36 HOLE	1
2	362813	HUB HEAVY DUTY	1
3	349538	BEARING BALL 5/8" ID	2
4	362274	QP SPOKE 225mm x 2mm	36
5	361250	SPOKE NIPPLE 5/8" BRASS ZN	36
6	505068	HR SCREW MOUNT TAB	6
7	381301	RIM STRIP 24 x 1.75/2.125	1

ITEM	NUMBER	DESCRIPTION	QTY
8	761780	24" x 2.125" SPOKE PNEU ANO	1
	761781	24" x 2.125" SPOKE PNEU PLASTIC	
	761782	24" x 2.125" SPOKE PNEU OMIT HR	
	761783	24 x 2.125 SPOKE PNEU INSERT ANO	
	761784	24 x 2.125 SPOKE PNEU INSRT PLASTIC	
	761785	24 x 2.125 SPOKE PNEU INSERT OMIT	
1-7	401023	24" x 2.125 RIM ASSEMBLY	

REAR WHEEL ASSEMBLY (BREEZY 100)

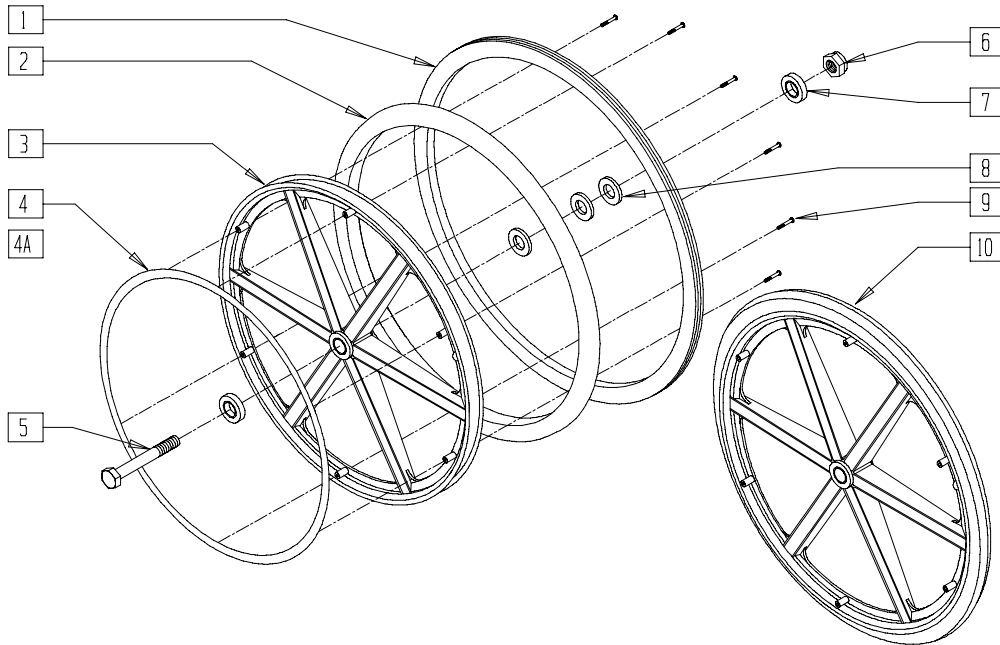


BRZ10X13

ITEM	NUMBER	DESCRIPTION	QTY
4	222-0541	REAR WHEEL BEARING KIT (EA)	4
3,8	222-0542	HANDRIM AND HARDWARE (EA)	

ITEM	NUMBER	DESCRIPTION	QTY
5,7	222-0622	7/16" AXLE BOLT AND NUT (PR)	
1-8	222-0535	MAG WHEEL W/HANDRIM	

REAR WHEEL ASSEMBLY (BREEZY 150)



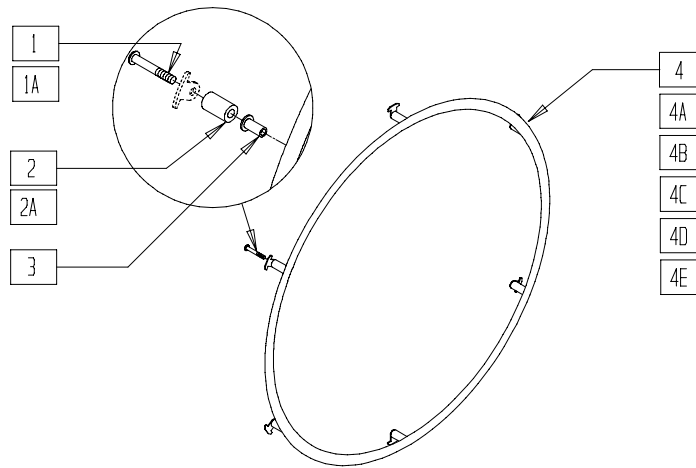
BZ150X03

ITEM	NUMBER	DESCRIPTION	QTY
1	222-0805	PNEU TIRE FOR 24" MAG RIM	1
2	222-0812	AIRLESS INSERT	1
7	222-0808	REAR WHEEL BEARING KIT (EA) (BZ150)	4
11*	222-0806	PNEUMATIC TUBE	1
5,6	222-0809	1/2" AXLE BOLT AND NUT (PR)	
4,9	222-0801	ALUM HR BLK ANO W/HARDWARE	
4A,9	222-0811	ALUM HANDRIM BLK ANO W/HARDWARE	

ITEM	NUMBER	DESCRIPTION	QTY
1-4A,7,8	222-0810	24" WHEEL, MAG RIM W/PNEU TIRE/AIRLESS INSERT, HR, AND BEARINGS	
4,7,8,10	222-0800	24" WHEEL, MAG RIM W/SOLID TIRE, HANDRIM AND BEARINGS	
1,3,4A,7,8	222-0804	24" WHEEL, MAG RIM W/PNEU TIRE, HANDRIM AND BEARINGS	

NOTE: ITEM 4 (ALUMINUM HANDRIM) IS USED FOR 24" SOLID WHEEL. ITEM 4A (ALUMINUM HANDRIM) IS USED FOR 24" PNEUMATIC AND PNEUMATIC AIRLESS WHEEL.
* PNEUMATIC TUBE NOT SHOWN.

HANDRIM, SCREW MOUNT 6-HOLE (20"/22"/24" SPOKE WHEEL)

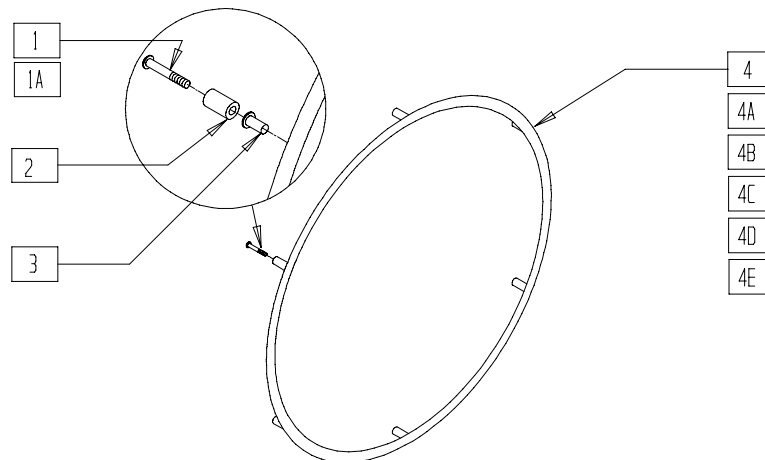


WH0X16

ITEM	NUMBER	DESCRIPTION	QTY
1	281170	10-32 x 1 5/8 PAN HD PHIL SS (REG)	6
1A	281175	10-32 x 2 1/8 PAN PHIL SS (LONG)	6
2	561036	HANDRIM SPACER (REG)	6
2A	561038	HANDRIM SPACER (LONG)	6
3	341497	10-32 x .020-.130 RIVNUT GOLD	6
3.4	529500	24" HR (6H) W/RIVNUTS	
3.4A	529501	24" HR PLASTIC (6H) W/RIVNUTS	
3.4B	529470	20" HR (6H) W/RIVNUTS	
3.4C	529471	20" HR PLASTIC (6H) W/RIVNUTS	
3.4D	529484	22" HR (6H) W/RIVNUTS	
3.4E	529485	22" HR PLASTIC (6H) W/RIVNUTS	
1-4	426000	24" HR 6SMT W/HARDWARE	

ITEM	NUMBER	DESCRIPTION	QTY
1A,2A,3.4	426002	24" HR 6SMT LT W/HARDWARE	
1,2,3,4A	426004	24" HR 6SMT PLASTIC W/HARDWARE	
1A,2A,3,4A	426006	24" HR 6SMT LT PLASTIC W/HARDWARE	
1,2,3,4B	425931	20" HR 6SMT W/HARDWARE	
1,2,3,4C	425933	20" HR 6SMT PLASTIC W/HARDWARE	
1A,2A,3,4B	425936	20" HR 6SMT LT W/HARDWARE	
1A,2A,3,4C	425937	20" HR 6SMT LT PLASTIC W/HARDWARE	
1,2,3,4D	425941	22" HR 6SMT W/HARDWARE	
1,2,3,4E	425943	22" HR 6SMT PLASTIC W/HARDWARE	
1A,2A,3,4D	425945	22" HR 6SMT LT W/HARDWARE	
1A,2A,3,4E	425947	22" HR 6SMT LT PLASTIC W/HARDWARE	

HANDRIM, SCREW MOUNT 6-HOLE (20"/22"/24" MAG WHEEL)



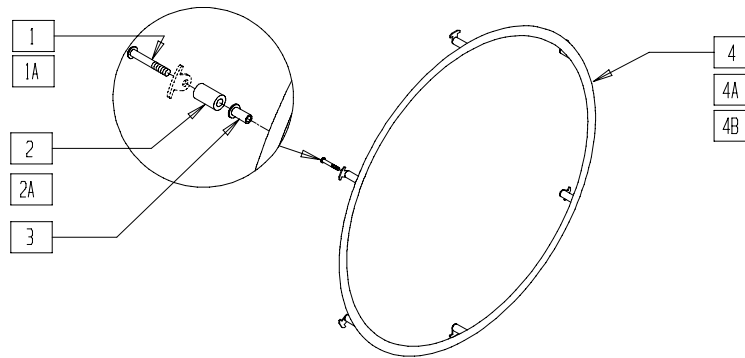
WH0X06

ITEM	NUMBER	DESCRIPTION	QTY
1	281175	10-32 x 2 1/8 PAN PHIL SS (REG)	6
1A	281183	10-32 x 2 9/16 PAN PHIL (LONG)	6
2	561037	HANDRIM SPACER MAG	6
3	341497	10-32 x .020-.130 RIVNUT GOLD	6
3.4	529500	24" HR (6H) W/RIVNUTS	
3.4A	529501	24" HR PLASTIC (6H) W/RIVNUTS	
3.4B	529470	20" HR (6H) W/RIVNUTS	
3.4C	529471	20" HR PLASTIC (6H) W/RIVNUTS	
3.4D	529484	22" HR (6H) W/RIVNUTS	
3.4E	529485	22" HR PLASTIC (6H) W/RIVNUTS	
1,3,4	426009	24" HR 6SMT 6MAG W/HARDWARE	
1A,2,3,4	426010	24" HR 6SMT LT 6MAG W/HARDWARE	
1,3,4A	426013	24" HR 6SMT 6MAG PLASTIC W/HARDWARE	

ITEM	NUMBER	DESCRIPTION	QTY
1A,2,3,4A	426014	24" HR 6SMT LT 6MAG W/HARDWARE	
1,3,4B	425934	20" HR 6SMT 6MAG W/HARDWARE	
1,3,4C	425935	20" HR 6SMT 6MAG PLASTIC W/HDWR	
1A,2,3,4B	425938	20" HR 6SMT LT 6MAG W/HARDWARE	
1A,2,3,4C	425939	20" HR 6SMT LT 6MAG PLASTIC W/HARDWARE	
1,3,4D	425951	22" HR 6SMT 6MAG W/HARDWARE	
1,3,4E	425953	22" HR 6SMT 6MAG PLASTIC W/HARDWARE	
1A,2,3,4D	425955	22" HR 6SMT LT 6MAG W/HARDWARE	
1A,2,3,4E	425957	22" HR 6SMT LT 6MAG PLASTIC W/HDWR	

HANDRIM, SCREW MOUNT 6-HOLE (20"/22"/24" SPOKE WHEEL, PAINTED HANDRIM)

(Fits Breezy beginning with serial number BZ-200000)



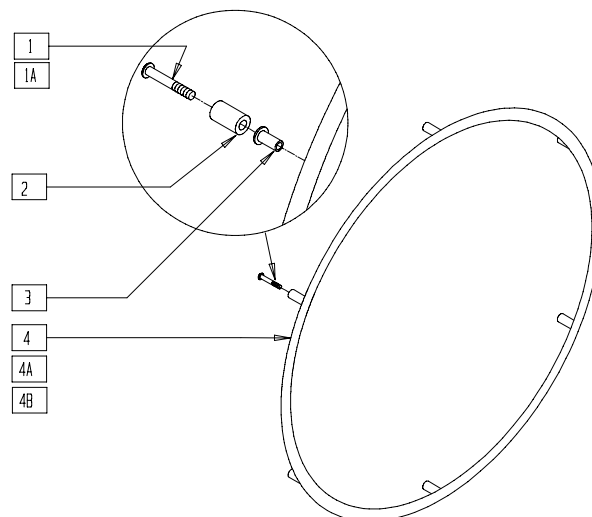
WH0X17

ITEM	NUMBER	DESCRIPTION	QTY
1	281170	10-32 x 1 5/8 PAN PHIL SS (REG)	6
1A	281175	10-32 x 2 1/8 PAN PHIL (LONG)	6
2	561036	HANDRIM SPACER (REG)	6
2A	561038	HANDRIM SPACER (LONG)	6
3	341497	10-32 x .020-.130 RIVNUT GOLD	6
3,4	529497	24" SCW MT HR 6061 PAINTED W/RIVNUT	
3,4A	529488	22" SCW MT HR PAINTED 6061 W/RIVNUT	
3,4B	529477	20" SCW MT HR PAINTED 6061 W/RIVNUT	

ITEM	NUMBER	DESCRIPTION	QTY
1-4	426001	24" SCW MT HR PAINTED W/HARDWARE	
1A,2A, 3,4	426003	24" SCW MT LT PAINTED W/HARDWARE	
1-3,4A	425024	22" HR 6SMT PAINTED W/HARDWARE	
1A,2A, 3,4A	425025	22" HR 6SMT LT PAINTED W/HARDWARE	
1,2,3,4B	425014	20" SCW MT HR PAINTED W/HARDWARE	
1A,2A, 3,4B	425015	20" SCW MT LT PAINTED W/HARDWARE	

HANDRIM, SCREW MOUNT 6-HOLE (20"/22"/24", MAG WHEEL, PAINTED HANDRIM)

(Fits Breezy beginning with serial number BZ-200000)

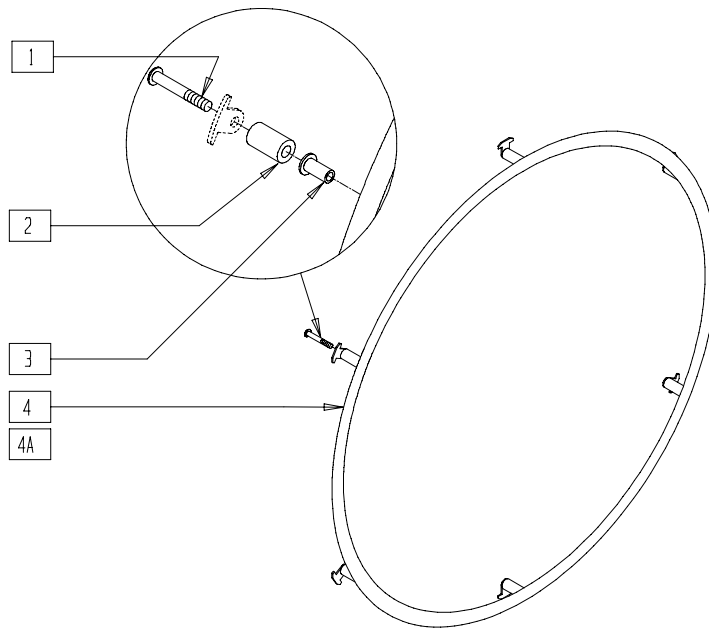


WH0X18

ITEM	NUMBER	DESCRIPTION	QTY
1	281183	10-32 x 2 9/16 PAN PHIL (LONG)	6
1A	281175	10-32 x 2 1/8 PAN PHIL SS	6
2	561037	HANDRIM SPACER MAG	6
3	341497	10-32 x .020-.130 RIVNUT GOLD	6
3,4	529497	24" SCW MT HR 6061 PAINTED W/RIVNUT	
3,4A	529488	22" SCW MT HR PAINTED 6061 W/RIVNUT	
3,4B	529477	20" SCW MT HR PAINTED 6061 W/RIVNUT	

ITEM	NUMBER	DESCRIPTION	QTY
1-4	426007	24" SCW MT LT PAINTED 6S W/HARDWARE	
1A,3,4	426005	24" SCW MT HR PAINTED 6S W/HDWR	
1A,3,4A	425026	22" HR 6SMT PAINTED 6MAG W/HARDWARE	
1-3,4A	425027	22" HR 6SMT LT PAINTED 6MAG W/HDWR	
1A,3,4B	425016	20" SCW MT HR PAINTED 6S W/HDWR	
1-3,4B	425017	20" SCW MT LT PAINTED 6S W/HARDWARE	

22" SCREW MOUNT 6-HOLE HANDRIM (FOR 24" SPOKE WHEEL) (QUICKIE M6)

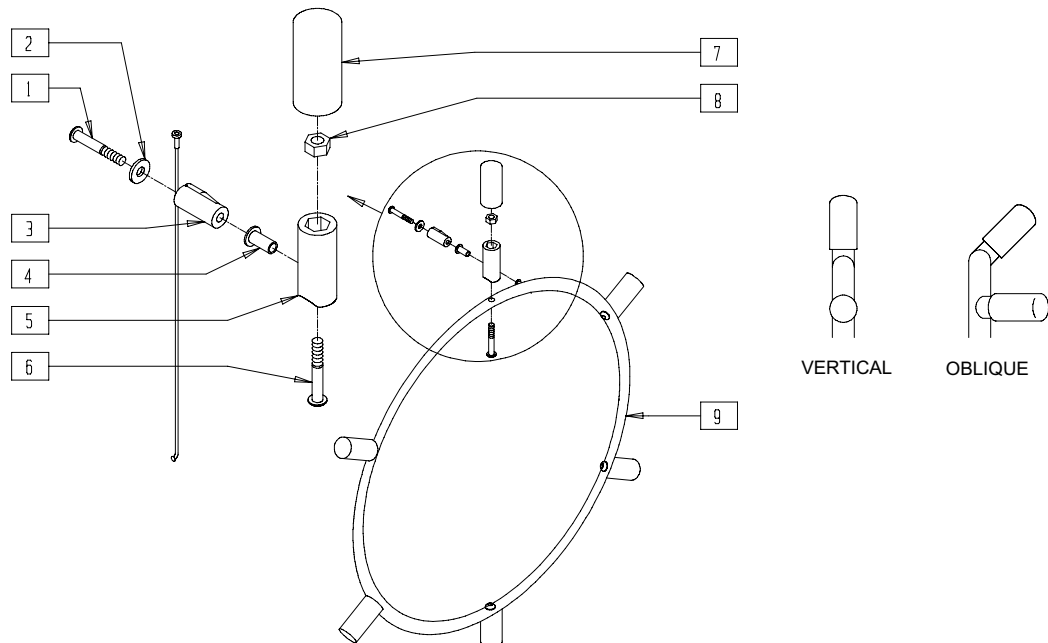


MAG00X27

ITEM	NUMBER	DESCRIPTION	QTY
1	281175	10-32 x 2 1/8 PAN PHIL SS	6
2	561038	HANDRIM SPACER (LONG)	6
3	341497	10-32 x .020-.130 RIVNUT GOLD	6

ITEM	NUMBER	DESCRIPTION	QTY
3,4	529484	22" HR (6H) W/RIVNUTS	
3,4A	529485	22" HR PLASTIC (6H) W/RIVNUTS	
1-4	425941	22" HR 6SMT W/HDWR	
1-3,4A	425943	22" HR 6SMT PLASTIC W/HDWR	

PROJECTION HANDRIM (20"/22"/24"/26" SPOKE WHEELS)

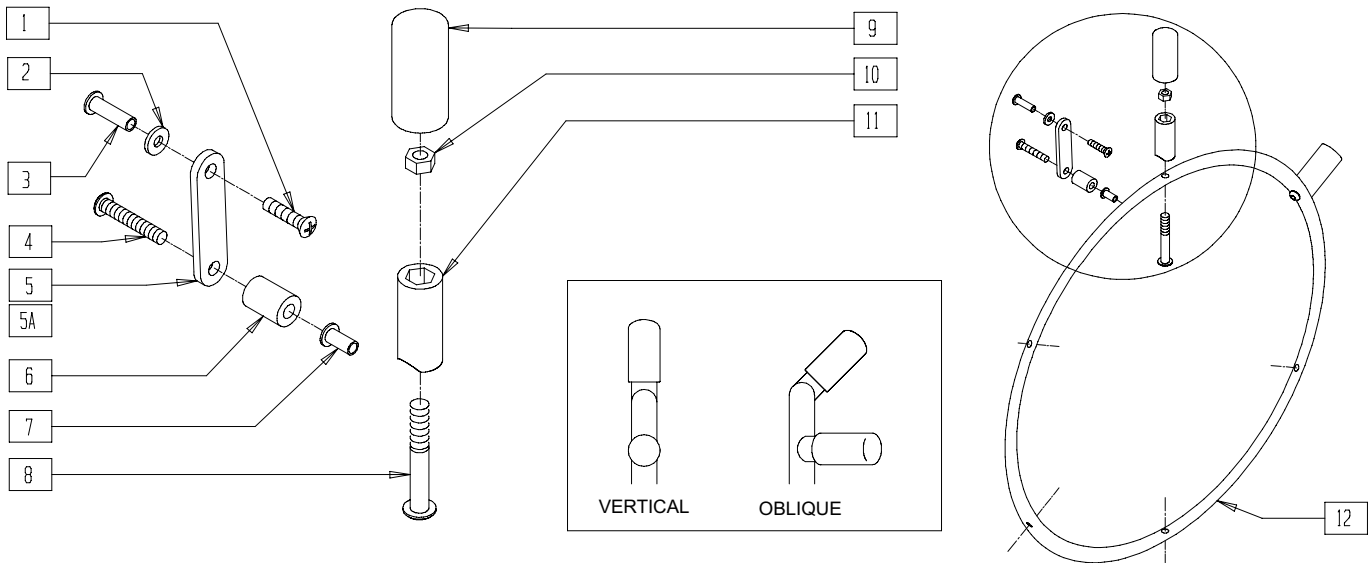


WH0X04

ITEM	NUMBER	DESCRIPTION	QTY
1	281170	10-32 x 1 5/8 PAN PHIL SS	6
2	261300	3/16 WASHER FLAT	6
3	561046	PROJECTION SPOKE MOUNT	6
4	341497	10-32 x .020-.130 RIVNUT GOLD	6
5	561044	PROJECTION PEG	6-12
6	226155	1/4-28 x 2 1/4 BH C/S	6-12
7	560600	1 1/2 x .705 x .187 FOAM GRIP	6-12

ITEM	NUMBER	DESCRIPTION	QTY
8	201100-QU	1/4-28 NYLOCK NUT THIN	6-12
4,9	529640,	PROJECTION HANDRIM W/RIVNUTS 8 VERT OR OBLQ	
	529641,		
	529740, 529741	PROJECTION HANDRIM W/RIVNUTS 12 VERT OR OBLQ	
1-9	427000- 427007	PROJECTION HANDRIM 20"/22"/24"/26" 6,8,10,12,VERT OR OBLQ W/HARDWARE	

PROJECTION HANDRIM 6-SPOKE (20"/22"/24" MAG WHEELS)

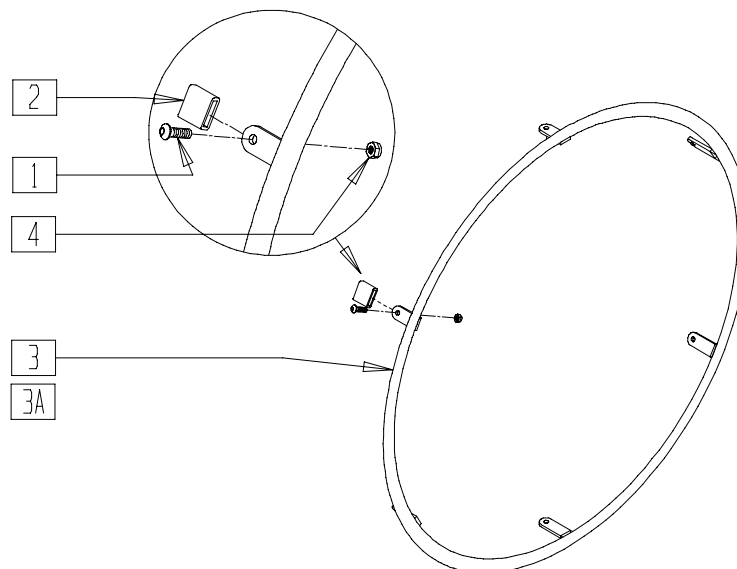


WH0X09

ITEM	NUMBER	DESCRIPTION	QTY
1	281120	10/32 x 5/8 PAN HD PHIL	6
2	261300	3/16 WASHER FLAT	6
3	341509	10-32 x .900 HEX RIVNUT BLK	6
4	281147	10-32 x 1 1/4 PAN PHIL	6
5	505004	2 HOLE TOGGLE (20"/24" MAG)	6
5A	505007	2 HOLE TOGGLE 1.625 (22" MAG)	6
6	561037	HANDRIM SPACER MAG	6
7	341497	10-32 x .020-.130 RIVNUT GOLD	6
8	226155	1 1/4-28 x 2 1/4 BH C/S	6-12

ITEM	NUMBER	DESCRIPTION	QTY
9	560600	1 1/2 x .705 x .187 FOAM GRIP	6-12
10	201100-QU	1/4-28 NYLOCK NUT THIN	6-12
11	561044	PROJECTION PEG	6-12
7,12	529640,	PROJECTION HANDRIM W/RIVNUTS 8 VERT OR OBLQ	
	529641		
	529740, 529741	PROJECTION HANDRIM W/RIVNUTS 12 VERT OR OBLQ	
1-12	427506- 427515	PROJECTION HANDRIM 6MAG VERT OR OBLQ W/HARDWARE	

HANDRIMS (TAB MOUNT, 18"/22"/23"/24"/26" SPOKE WHEELS)

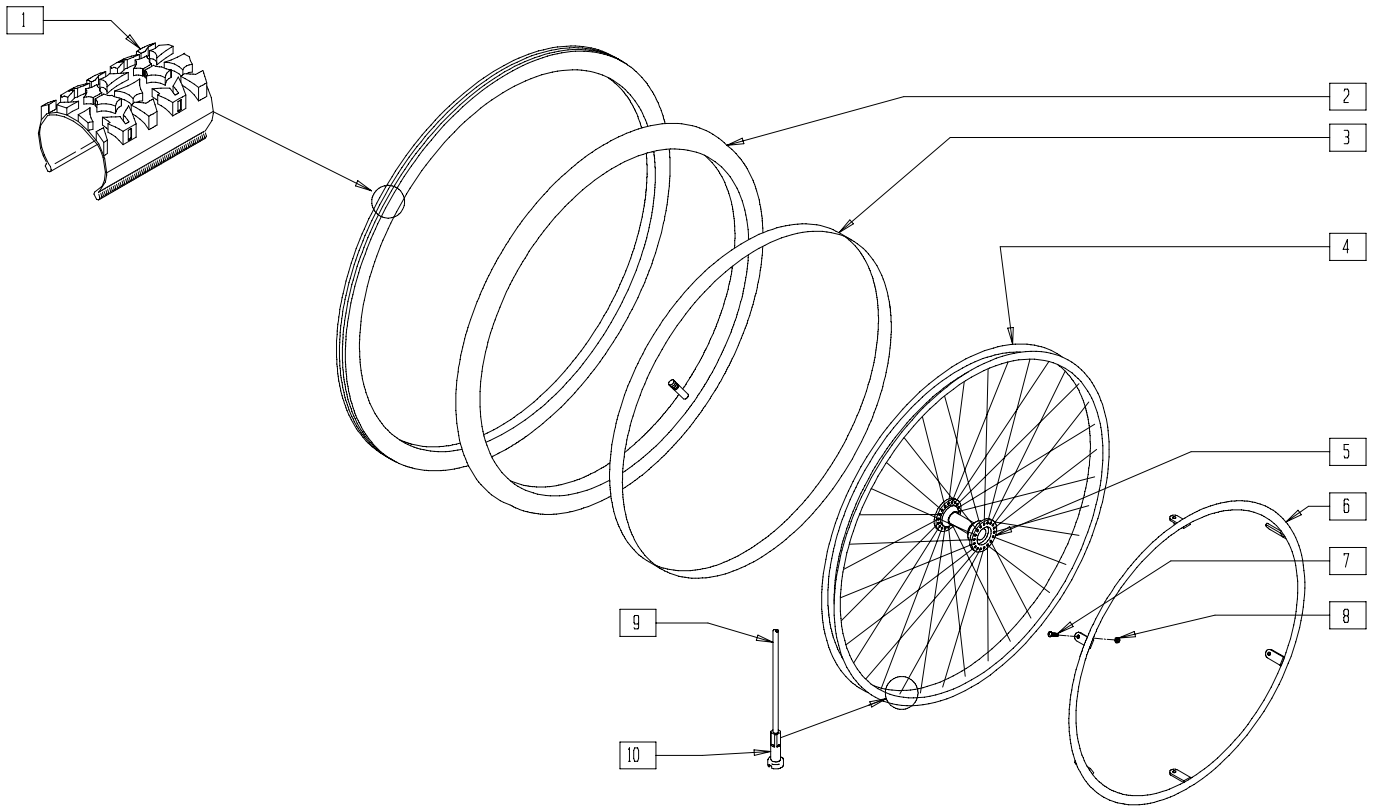


WH0X03

ITEM	NUMBER	DESCRIPTION	QTY
1	281110	10/32 x 1/2 PAN PHIL	4-6
2	580300	HANDRIM TAB COVER	4-6
3	529100- 529411	HANDRIM TAB MOUNT	1
3A	529430- 529431	HANDRIM TAB MOUNT (4T)	1

ITEM	NUMBER	DESCRIPTION	QTY
4	200100	10-32 NYLOCK NUT	4-6
1-4	425020- 425056	HANDRIM TAB MOUNT W/HARDWARE	
1,2,3A,4	425095, 425096	HANDRIM TAB MOUNT (4T) W/HARDWARE	

WHEEL ASSEMBLY - KNOBBIE TIRE (QUICKIE XTR)

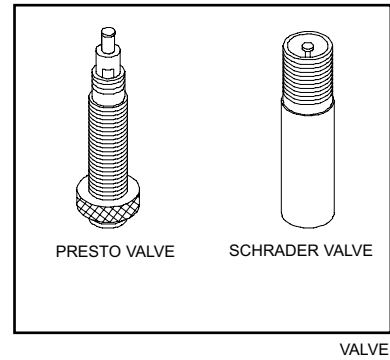
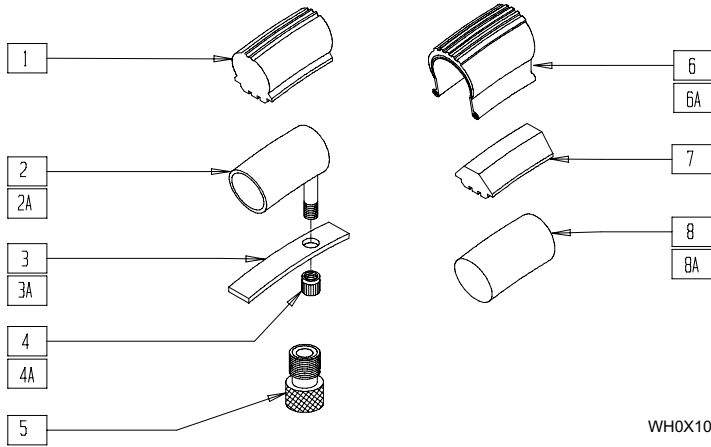


SUS00X32

ITEM	NUMBER	DESCRIPTION	QTY
1	384604	TIRE CS 24 x 2.1 SMOKER	1
2	382334	TUBE INLINE 24 X 1.75	1
3	381244	RIM STRIP 20 X 1.75/2.125	1
4	364337	RIM SUN AT18 24X1.5 36H SL	1
5	363258	REAR WHEEL PB HUB W/BRGS	1
6	529100	22" HR (4T)	1
	529101	22" HR (4T) PLST	
7	281110	10-32 x 1/2 PAN PHIL	4

ITEM	NUMBER	DESCRIPTION	QTY
8	200100	10-32 NYLOCK NUT	4
9	362275	QP SPOKE 226MM X 2.0MM	36
10	361250	SPOKE NIPPLE 5/8" BRASS ZN	36
4,5,9,10	401075	24 RIM ASSM X 1.5 SUN PSH BTTN	
	762007	24" SPK MOUNTAIN HR PLST	
1-10	762017	24" SPK MOUNTAIN HR ANO	
1-5,7-10	762046	24" SPK MOUNTAIN OMIT HR	

TIRES AND TUBES



WH0X10A

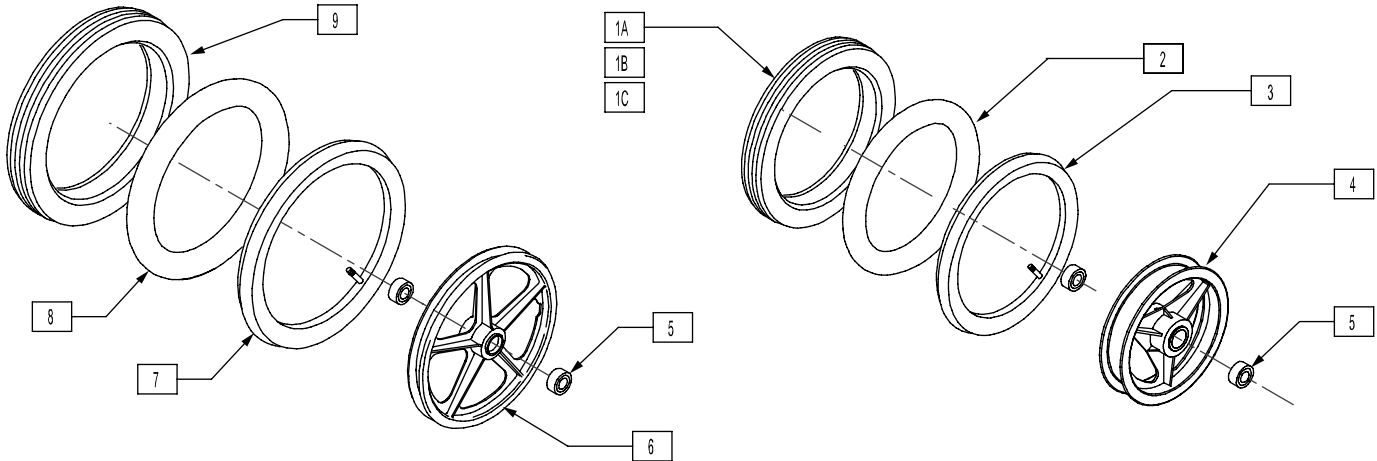
ITEM	NUMBER	DESCRIPTION	QTY
1	386252	24" POLY TIRE STANDARD	1
	386242	22" POLY TIRE STANDARD	
	386232	20" POLY TIRE STANDARD	
2	382255-382355	INNER TUBE 18"-26"	1
2A	382375	24" x 2.125" TUBE (M6)	1
3	381235-381300	RIM STRIP 18"-26"	1
3A	381301	RIM STRIP 24 x 1.75"/2.125" (M6)	1
4	381240	VALVE STEM CAP (Q)	1
4A	381240	(04) VALVE STEM CAP (M6)	1
5	381230	VALVE ADAPTER PRESTA	1
6	385225-385325	PNEUMATIC TIRE 18"-26"	1

ITEM	NUMBER	DESCRIPTION	QTY
6	385354	24" x 1 3/8 KNOBBIE TIRE	1
	389020	24" x 1" HI PRESSURE CLINCHER TIRE	
	385350	24" KEVLAR TIRE	
	389030	26" x 1" HI PRESSURE CLINCHER TIRE	
6A	384614	TIRE 24" x 2.125" (M6)	1
7	386254	24" POLY LOW PROFILE	1
	386262	20" LP POLY TIRE BR	
	386263	22" LP POLY TIRE BR (QUICKIE LX)	
	386264	24" LP POLY TIRE BR	
8	382413	16" AIRLESS INSERT	1
	382415	18" AIRLESS INSERT	
	382404	20" AIRLESS INSERT	
	382405	22" AIRLESS INSERT	
	382410	24" AIRLESS INSERT	
8A	382420	AIRLESS INSERT 24" x 2.125" (M6)	

NOTE: FOR ADDITIONAL INFORMATION ON TIRES, SEE TIRE REFERENCE GUIDE ON 19.15.

REAR WHEEL (QUICKIE KIDZ/T45/TS)

(Quickie TS effective 12/15/95, beginning QT-12900)

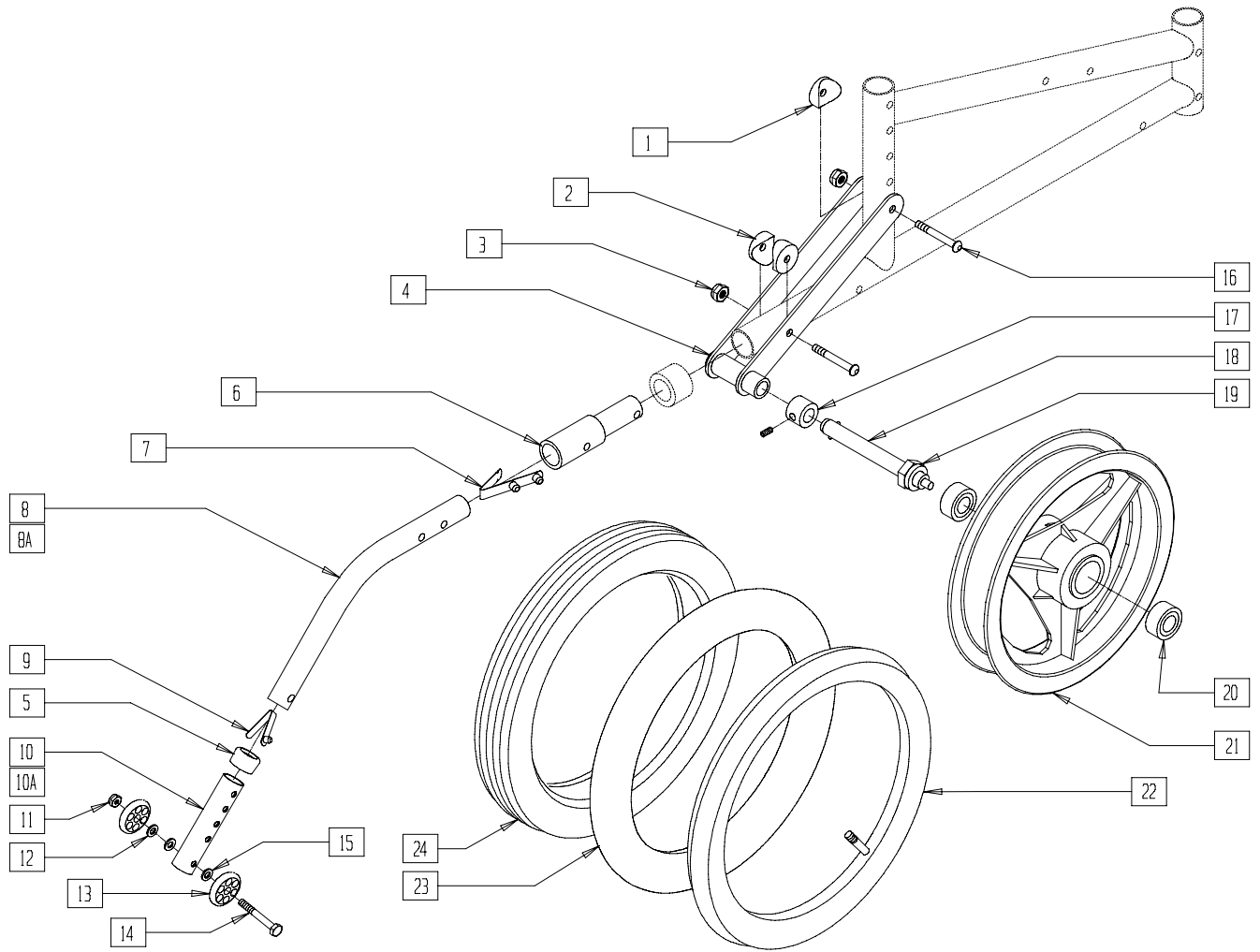


KDZ00X11A

ITEM	NUMBER	DESCRIPTION	QTY
1A	384707	TIRE PNEU 12 1/2 x 2 1/4 STRT	1
1B	384706	TIRE PNEU 12-1/2" x 2	1
2	382402	12 1/2" x 2 1/4" AIRLESS INSERT	1
3	384734	INNER TUBE 12 1/2" x 2 1/4"	1
5	349500	1 1/8 x 1/2 BEARING	2
7	384738	INNER TUBE 16" x 1.75"	1
8	382413	16" AIRLESS INSERT	1

ITEM	NUMBER	DESCRIPTION	QTY
9	385237	16" x 1.75" PNEU TIRE	1
4,5	400730	12" MAG RIM W/BEARING	
5,6	400741	16" MAG W/BEARINGS	
1A,3-5	400731	12" MAG PNEUMATIC STREET	
1B,2,4,5	400733	RR MAG 12" PNEU INSERT	
1C,4,5	762100	12" MAG POLY TIRE WHEEL	
5-7,9	760010	16" MAG PNEUMATIC	
5-8	760015	MAG PNEU W/AIRLESS INSERT	

REAR WHEEL RETRO KIT WITH ANTITIPS (12") (ZIPPIE TS)



Drawing shows right side

Z00X19A

ITEM	NUMBER	DESCRIPTION	QTY
1	561001	1 1/8" SADDLE 1/4" HOLE	1
2	561004	1" SADDLE 1/4" HOLE	2
3	201100-QU	1/4-28 NYLOCK NUT THIN	2
4	505324	QR AXLE PLATE TS 12"	1
5	563065	3/4" ANTI-RATTLE	1
6	483097	ANTI-TIP INSERT 12" WHEEL	1
7	301109	SNAP BUTTON DUAL ONE SIDE	1
8	521519	ANTI-TIP MAIN TUBE TS 12" WHEEL	1
8A	521482, 521483	ANTI-TIP TUBE BLK KIDZ (EA)	
9	301100	1/4" SNAP BUTTON SINGLE	1
10	521516	ANTI-TIP SLEEVE BZ/ZP	1
10A	521504	ANTI-TIP ADJ SLEEVE (4H) BLK	1
11	201100-QU	1/4-28 NYLOCK NUT THIN	1
12	262130	6mm WASHER WAVE	1
13	561032	ANTI-TIP WHEEL	2
14	221192	1/4-28 x 2 G8 HEX C/S	1
15	262110-QU	1/4 AN WASHER FLAT THIN	2
16	226140	1/4-28 x 1 3/4 BH C/S	2
17	920117	MAG SPACER 6S W/SET SCREW	1
18	349010	QUICK RELEASE AXLE	1

ITEM	NUMBER	DESCRIPTION	QTY
19	203100	1/2-20 NYLOCK NUT	1
20	349500	1 1/8 x 1/2 BEARING	2
22	384734	INNER TUBE 12 1/2" x 2 1/4"	1
23	382402	12 1/2" x 2 1/4" AIRLESS INSERT	1
24	384706	TIRE PNEU 12 1/2" x 2 1/4"	1
5,7-15	880510	ANTI-TIP TUBE TS 12" WHEEL (EA)	
5,7-15	900705	ANTI-TIP ASSEMBLY TS 12" WHEEL (PR)	
5,7,8A,9, 10A,11-15	882904, 882905	ANTI-TIP ASSEMBLY BLK KIDZ (EA)	
17-19	920118	QR AXLE 12S MAG W/NUT AND SPACER	
18,19	920129	QR AXLE W/NUT	
20,21	400730	12" MAG RIM W/BEARING	
1-4,6,16	920161	QR AXLE PLATE TS 12" WHEEL W/AT REC	
20,21,22,24	400732	12" MAG PNEUMATIC	
20,21,22,24	400733	RR MAG 12" PNEUMATIC INSERT	
1-15, 18-22,24	923570	TS 12" WHEEL/AT RETRO KIT	
1-15, 18-24	923571	TS 12" MAG INSERT/AT RETRO KIT	

NOTE: ITEM 17, MAG SPACER, NOT REQUIRED EFFECTIVE SERIAL NUMBER ZP-32173.
USE ITEM 8A WHEN ORDERING ANTITIPS FOR CHAIRS WITH A 16" WHEEL.

TIRE REFERENCE GUIDE

(Shading indicates item is available)

Tire Type	Size	Tire Part #	Tube Part #	12" Mag Kidz	12" Mag Zippie	18" Spoke	20" Spoke	20" Mag	22" Spoke	22" Mag	24" Spoke	24" Mag	26" Spoke	24" Tennis BB	26" Tennis BB	24" HT Tennis BB	26" HT Tennis BB
Kevlar	24"	385350	382325														
Pneumatic	12"	384707	384736														
	12"	384706	384736														
	18"	385225	382255														
	20"	385250	382275														
	22"	385275	382300														
	24"	385300	382325														
Latex Tubular	24"	389004	N/A														
	26"	389006	N/A														
Turbo Tread Black HT	24"	389012	384545														
Turbo Tread Tan HT	26"	388999	384550														
Low Profile Polyurethane (Breezy/LX)	20"	386262	N/A					*									
	22"	386263	N/A						*								
	24"	386264	N/A								*						
Low Profile Polyurethane (Quickie)	24"	386254	N/A														
High Profile Polyurethane	20"	386232	N/A														
	22"	386242	N/A														
	24"	386252	N/A														
Knobbie Standard	24"	385354	382325														
Knobbie HT	24"	389015	384547														
High Pressure Clincher	24"	389020	382330														
	26"	389030	382355														
Airless Insert	12"	N/A	382402														
	18"	N/A	382415														
	20"	N/A	382404														
	22"	N/A	382405														
	24"	N/A	382410														

* BREEZY AND LX SERIES ONLY

KEVLAR (Specialized)

⌚ Air-filled inner tube, Kevlar reinforced tire, flat resistant, light, shock absorbent on rough terrain, maneuverable, good traction, 4 oz. lighter than standard pneumatic tire.

⌚ psi per Sidewall; 24" x 1 3/8"

PNEUMATIC (Cheng Shin)

⌚ Air-filled tires, light, shock absorbent, maneuverable, good traction.

⌚ psi per Sidewall, 20"-26" x 1 3/8"

LATEX TUBULAR (also known as Continental, Sew Ups, Gum Rubber)

⌚ Ultra lightweight, stretches to fit different rims, minimal roll resistance for maximum shock absorbercy.

⌚ psi per Sidewall, 24"-26" x 1"

TURBO TREAD (Specialized)

⌚ For heat-treated rims, high-pressure tire, uses an inner tube which allows for repairs, lightest weight tire, easy installation, minimal roll resistance, durable, good traction.

⌚ psi per sidewall,
24" x 1" (559 x 25) black sidewall
⌚ psi per Sidewall,
26" x 1" (700 x 23cm), tan sidewall

LOW-PROFILE POLYURETHANE

⌚ Airless, no tread, low maintenance, flat free, maneuverable.

HIGH-PROFILE POLYURETHANE

⌚ Airless, small tread, minimal traction, low maintenance, flat free, maneuverable.

KNOBBIE STANDARD (Primo V-Trak)

⌚ All terrain, deep tread for increased traction, added floatation in sand, loose dirt and snow, puncture resistance.

⌚ psi per Sidewall, 24" x 1 3/8"

KNOBBIE HEAT-TREATED (Specialized)

⌚ For heat-treated rims, all terrain, deep tread for increased traction, added floatation in sand, loose dirt and snow, puncture resistance.

⌚ psi per Sidewall, 24" x 1 1/2" (559)

HIGH-PRESSURE CLINCHER (Primo)

⌚ High performance tire option for everyday user, extremely lightweight, uses an inner tube which allows for repairs, says "Primo" on sidewall.