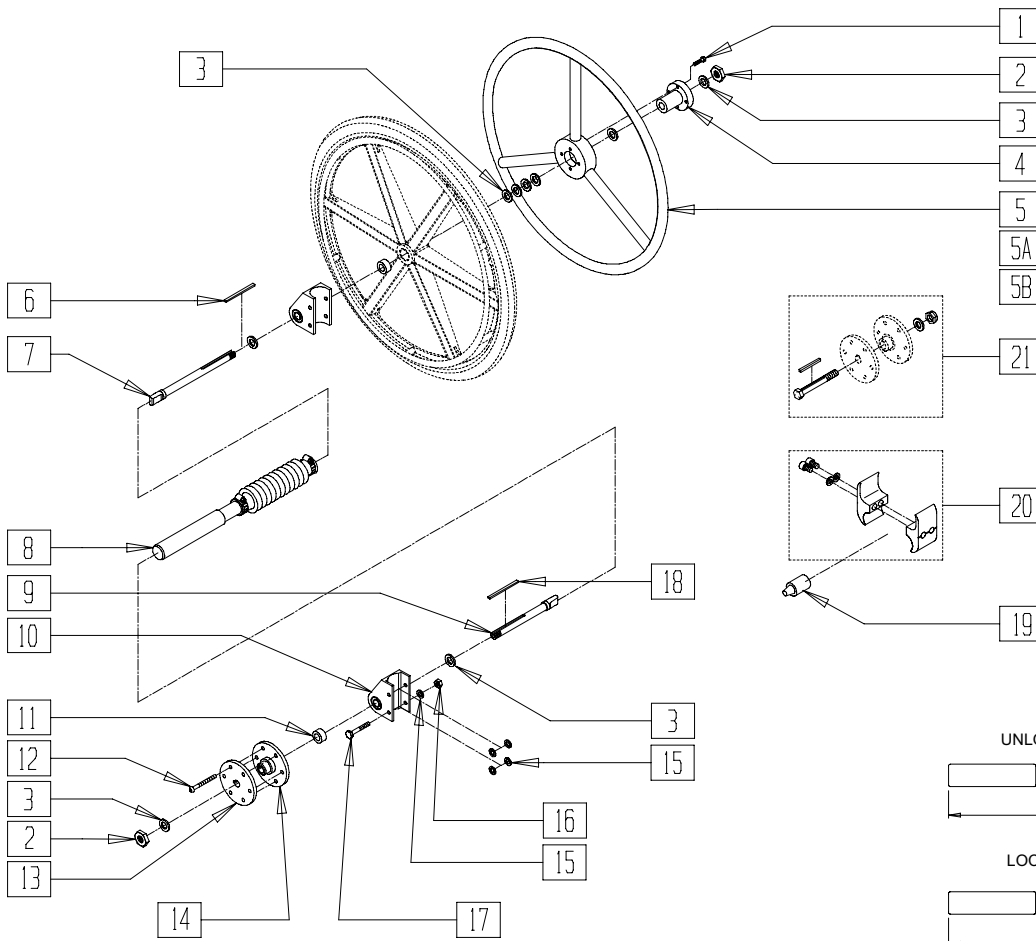


# One-Arm Drive

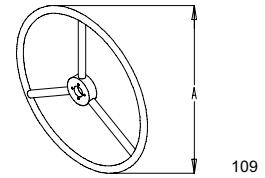
## IN THIS SECTION

One-arm Drive Retro Kit (Zippie TS).....	22.1	One-arm Drive Retro Kit (Breezy 510) .....	22.5
One-arm Drive Retro Kit (Quickie TS).....	22.2	One-arm Drive Retro Kit (Breezy 2(Disc.)).....	22.6
One-arm Drive Retro Kit (Breezy 510) (Disc.).....	22.3	One-arm Drive Retro Kit (Quickie Chameleon).....	22.7
One-arm Drive Retro Kit (Breezy 510) (Disc.).....	22.4		

# ONE-ARM DRIVE RETRO KIT (ZIPPIE TS)

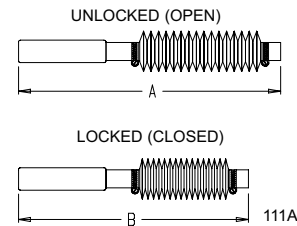


## MEASURING GUIDE



WHEEL SIZE	STD "A"	SMALL "A"
20"	16 1/2"	-
22"	18"	16 1/2"
24"	19 1/4"	18"

FRAME WIDTH	"B"	"C"
13"	9 3/4"	8"
14"	10 3/4"	9"
15"	11 3/4"	10"
16"	12 3/4"	11"
17"	13 3/4"	12"
18"	14 3/4"	13"
19"	15 3/4"	14"
20"	16 3/4"	15"

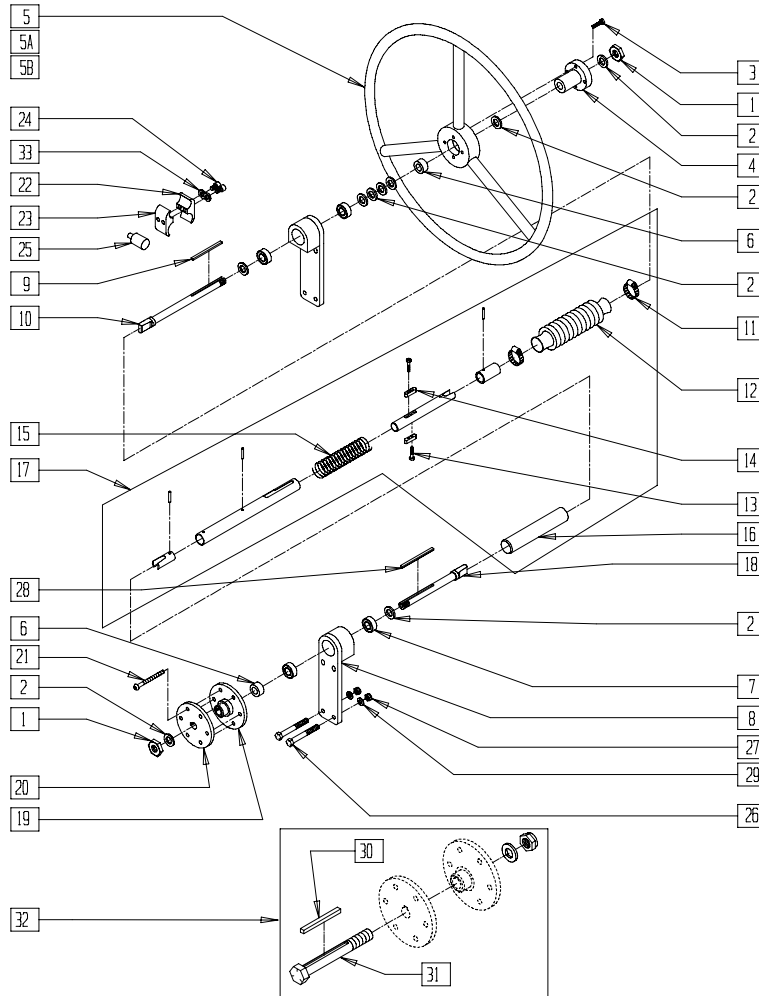


AC0X048A

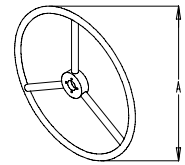
ITEM	NUMBER	DESCRIPTION	QTY
1	226015	10-32 x 3/4 SOC C/S BLK	1
2	203100	1/2-20 NYLOCK NUT	2
3	264100	1/2 AN WASHER FLAT	8
4	500634	1 AD HUB CENTER	1
5	529801	1 AD HR ONLY 20" STD/24"SM	1
5A	529800	1 AD HR ONLY 22" STD/22"SM	1
5B	529802	1 AD HR ONLY 24" STD	1
6	341274	3/16 SQ x 1-1/2 KEY STL	1
7	481131	1 AD HANDRIM DRIVE SHAFT	1
8	880812-880817	1 AD SHAFT ASSM (13" - 18")	1
9	481132	1 AD WHEEL DRIVE SHAFT	1
10	880834	1 AD AXLE PLATE W/BEARINGS LX	2
11	483057	MAG AXLE SPACER W/HOLE	1
	483058	1 AD WHEEL SPACER	1
12	226166	1/4-28 x 2 1/2 BH C/S BLK	1
13	500630	1 AD WHEEL HUB W/O TAP	1
14	500631	WHEEL HUB 1 ARM DRIVE W/TAP	1
15	262110-QU	1/4 AN WASHER FLAT THIN	4
16	201110-QU	1/4-28 NYLOCK NUT	1

ITEM	NUMBER	DESCRIPTION	QTY
17	221192	1/4-28 x 2 G8 HEX C/S	4
18	341277	3/16" SQ x 2-3/8" KEY	1
19	482030	1 AD DRIVE RECEIVER	2
20	880594	WHL LCK 1AD CLAMP ASSM BLK	
21	330015	1AD ALIGNMENT TOOL ASSM	
2,3,7,9-19	881081	1 AD HDWR KIT TS	
1-20	923780-923783	1AD 20 STD/22SM HR (13" - 16") RTRO TS	
1-4,5A,6-20	923788-923791	1AD 22 STD/24SM HR (13" - 16") RTRO TS	
1-4,5B,6-20	923794-923797	1AD 24 STD HR (13" - 16") RTRO TS	
1-20	923850,923853	1 AD RTRO 20 STD/22SM (17" AND 18") HR TS	
1-4,5A,6-20	923851,923854	1 AD RTRO 22 STD/24SM (17" AND 18") HR TS	
1-4,5B,6-20	923852,923855	1 AD RTRO 24 STD (17" AND 18") HR TS	

# ONE-ARM DRIVE RETRO KIT (QUICKIE TS)



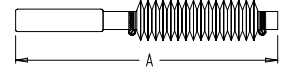
## MEASURING GUIDE



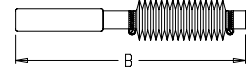
109

WHEEL SIZE	STD	SMALL
20"	16 1/2"	-
22"	18"	16 1/2"
24"	19 1/4"	18"

UNLOCKED (OPEN)



LOCKED (CLOSED)



111

CHAIR WIDTH	"A"	"B"
13"	9 3/4"	8"
14"	10 3/4"	9"
15"	11 3/4"	10"
16"	12 3/4"	11"
17"	13 3/4"	12"
18"	14 3/4"	13"
19"	15 3/4"	14"
20"	16 3/4"	15"

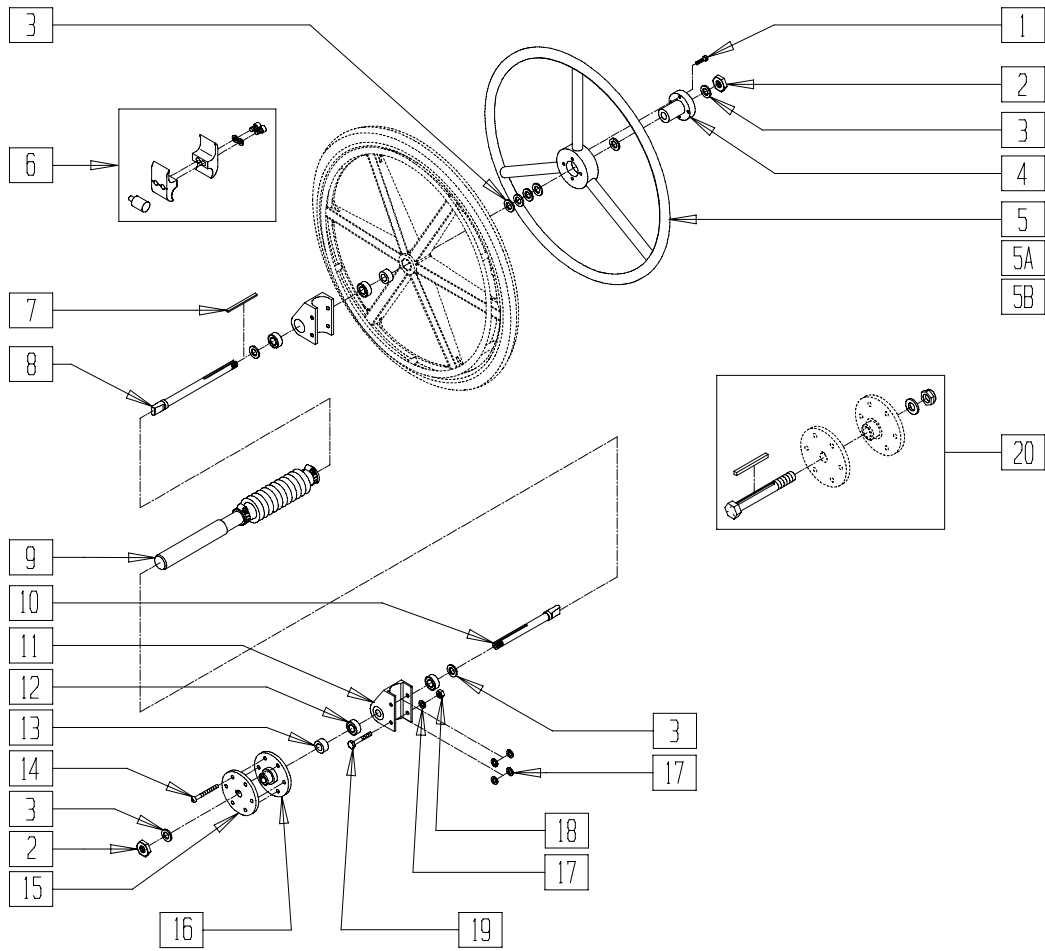
QTS20X17

ITEM	NUMBER	DESCRIPTION	QTY
1	203100	1/2-20 NYLOCK NUT	2
2	264100	1/2 AN WASHER FLAT	9
3	226015	10-32 x 3/4 SOC C/S BLK	4
4	500634	1 AD HUB CENTER	1
5	529801	1 AD HR ONLY 20" STD/22" SM	1
5A	529800	1 AD HR ONLY 22" STD/24" SM	1
5B	529802	1 AD HR ONLY 24" STD	1
6	483058	1 AD WHEEL SPACER	2
7	349500	1 1/8 x 1/2 BEARING	4
7,8	880899	1 AD AXLE PLATE W/BEARINGS ZGS	
9	341274	3/16 SQ x 1 1/2 KEY STL	3
10	481131	1 AD HANDRIM DRIVE SHAFT	1
11	342012	1 AD BOOT CLAMP	2
12	560691	1 AD RUBBER BOOT BLK .875	1
13	226002	6-32 x 3/4 SOC C/S BLK	2
14	481136	1 AD KEY C/BORE	2
16	560661	QUICKIE GRIP 7/8"	1
17	880812-880819	1 AD SHAFT ASSEMBLY 13"-20"	1
18	481132	1 AD WHEEL DRIVE SHAFT	1
19	500631	WHEEL HUB 1 ARM DRIVE W/TAP	1

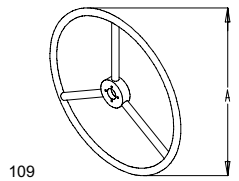
ITEM	NUMBER	DESCRIPTION	QTY
20	500630	1 AD WHEEL HUB W/O TAP	1
21	226166	1/4-28 x 2 1/2 BH C/S BLK	6
22	550658	CLAMP 1 1/4" THREADED BLK	2
23	550659	CLAMP 1 1/4" RECESS HALF BLK	2
24	226112	1/4-28 x 1 SOC C/S BLK	4
25	482030	1 AD DRIVE RECEIVER	2
26	221192	1/4-28 x 2 G8 HEX C/S	8
27	201110-QU	1/4-28 NYLOCK NUT	8
28	341277	3/16 SQ x 2 3/8 KEY STL	1
29	262110-QU	1/4 AN WASHER FLAT THIN	8
30	341278	3/16" SQ x 2 1/4" KEY STL	1
31	330014	1 AD ALIGNMENT BOLT	1
32	330015	1 AD ALIGNMENT TOOL ASSEMBLY	1
33	262114	1/4 WASHER HI COLLAR LOCK ZN	2
22-24,33	880594	WHEEL LOCK CLAMP ASSEMBLY BLK	
1-35	923800-923806	1AD (14"- 20") RETRO (20" STD/22" SM HR) QT	
1-4,5A,6-35	923810-923816	1AD (14"- 20") RETRO (22" STD/24" SM HR) QT	
1-4,5B,6-35	923820-923826	1AD (14"- 20") RETRO (24" STD HR) QTS	

# ONE-ARM DRIVE RETRO KIT (BREEZY 510)

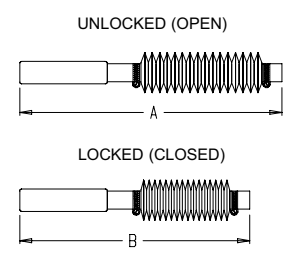
(Prior to Serial Number BZ-464463) (Discontinued - Parts only)



### MEASURING GUIDE



WHEEL SIZE	STD	SMALL
20"	16 1/2"	-
22"	18"	16 1/2"
24"	19 1/4"	18"



111

CHAIR WIDTH	"A"	"B"
14"	10 3/4"	9"
15"	11 3/4"	10"
16"	12 3/4"	11"
17"	13 3/4"	12"
18"	14 3/4"	13"
19"	15 3/4"	14"
20"	16 3/4"	15"

BR510X06b

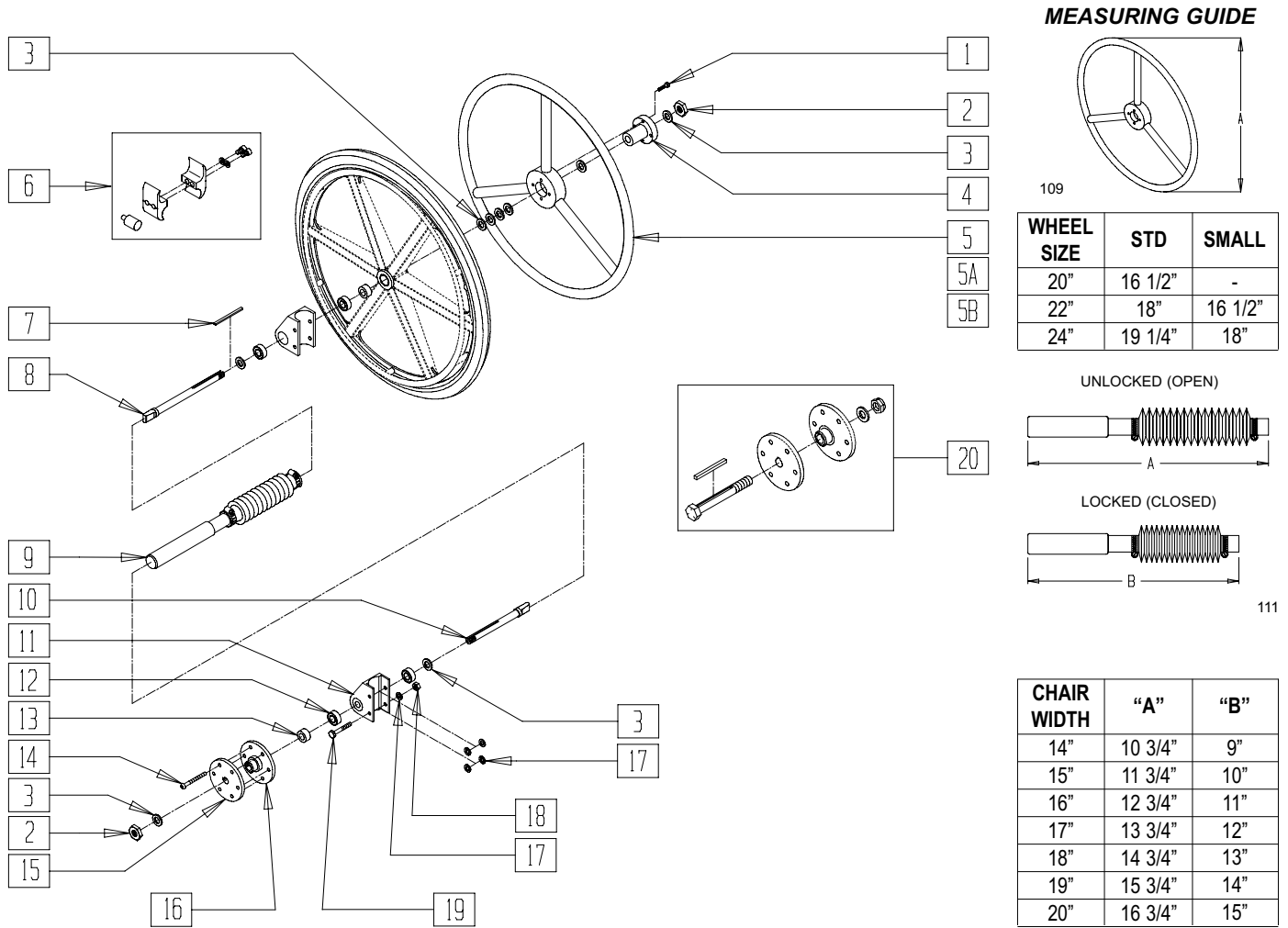
ITEM	NUMBER	DESCRIPTION	QTY
1	226015	10-32 x 3/4 SOC C/S BLK	1
2	203100	1/2-20 NYLOCK NUT	2
3	264100	1/2 AN WASHER FLAT	8
4	500634	1 AD HUB CENTER	1
5	529801	1 AD HR ONLY 20" STD/24"SM	1
5A	529800	1 AD HR ONLY 22" STD/22"SM	1
5B	529802	1 AD HR ONLY 24" STD	1
6	880539	WHL LCK CLAMP ASSM CLR	1
7	341274	3/16 SQ x 1-1/2 KEY STL	1
8	481131	1 AD HANDRIM DRIVE SHAFT	1
10	481132	1 AD WHEEL DRIVE SHAFT	1
11	880831	1 AD AXLE PLATE W/BEARINGS	1
12	349500	1 1/8 x 1/2 BEARING	2
13	483057	MAG AXLE SPACER W/HOLE	1

ITEM	NUMBER	DESCRIPTION	QTY
14	226166	1/4-28 x 2 1/2 BH C/S BLK	1
15	500630	1 AD WHEEL HUB W/O TAP	1
16	500631	WHEEL HUB 1 ARM DRIVE W/TAP	1
17	262110-QU	1/4 AN WASHER FLAT THIN	4
18	201110-QU	1/4-28 NYLOCK NUT	1
19	221170-QU	1/4-28 x 2 1/4 HEX C/S	4
20	330015	1AD ALIGNMENT TOOL ASSM	3
11,12	880901	1 AD AXLE PLATE W/BEARINGS BR	1
1-20	924014- 924020	1AD RTRO 20" STD HRBR OLD (14" - 20")	
1-4,5A, 6-20	924024- 924030	1AD RTRO 22" STD HRBR OLD (14" - 20")	
1-4,5B, 6-20	924034- 924040	1AD RTRO 24" STD HRBR OLD (14" - 20")	

# ONE-ARM DRIVE RETRO KIT (BREEZY 510)

(After Serial Number BZ-464463 and prior to Serial Number BZ-511067)

(Discontinued - Parts only)



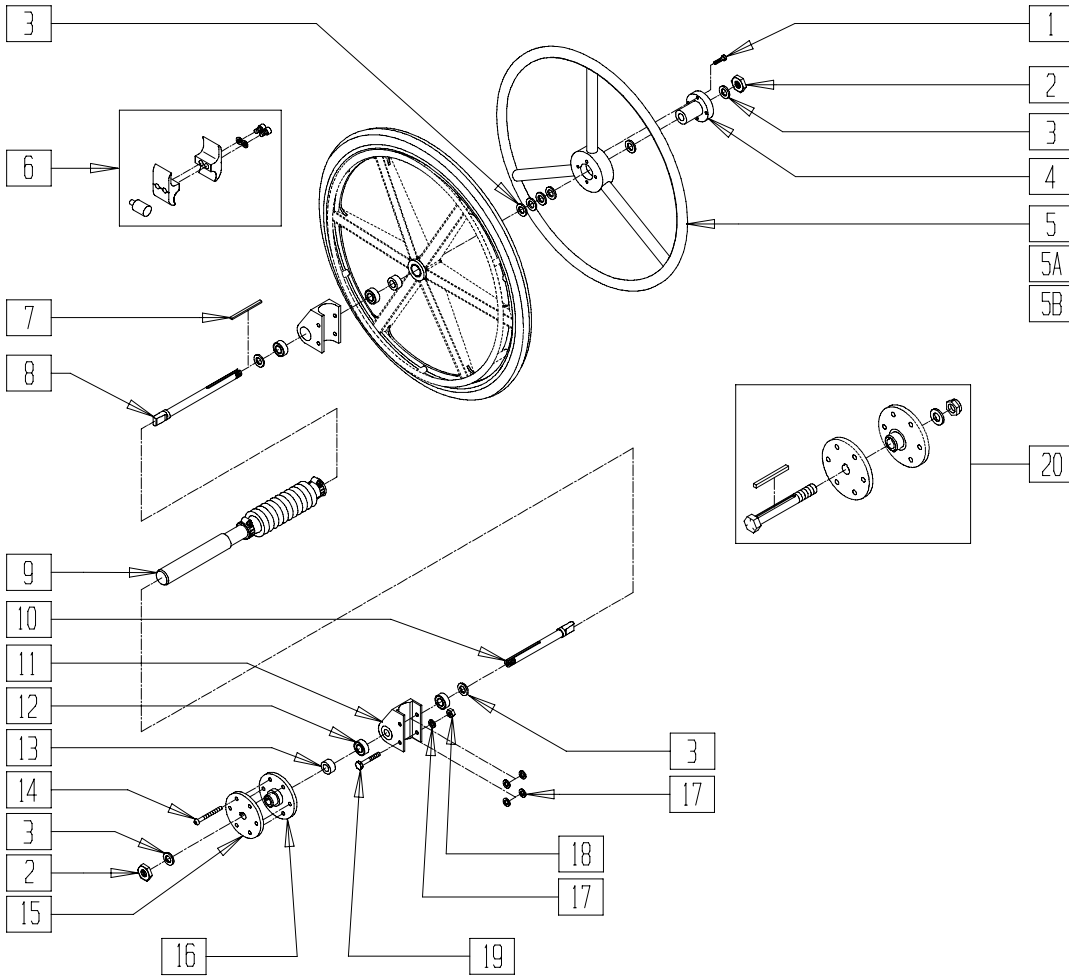
BR510X06C

ITEM	NUMBER	DESCRIPTION	QTY
1	226015	10-32 x 3/4 SOC C/S BLK	1
2	203100	1/2-20 NYLOCK NUT	2
3	264100	1/2 AN WASHER FLAT	8
4	500634	1 AD HUB CENTER	1
5	529801	1 AD HR ONLY 20" STD/24"SM	1
5A	529800	1 AD HR ONLY 22" STD/22"SM	1
5B	529802	1 AD HR ONLY 24" STD	1
6	880539	WHL LCK CLAMP ASSM CLR	1
7	341274	3/16 SQ x 1-1/2 KEY STL	1
8	481131	1 AD HANDRIM DRIVE SHAFT	1
10	481132	1 AD WHEEL DRIVE SHAFT	1
11	880831	1 AD AXLE PLATE W/BEARINGS	1
12	349500	1 1/8 x 1/2 BEARING	2
13	483057	MAG AXLE SPACER W/HOLE	1

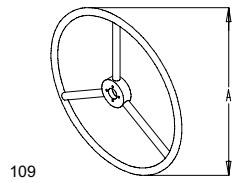
ITEM	NUMBER	DESCRIPTION	QTY
14	226166	1/4-28 x 2 1/2 BH C/S BLK	1
15	500630	1 AD WHEEL HUB W/O TAP	1
16	500631	WHEEL HUB 1 ARM DRIVE W/TAP	1
17	262110-QU	1/4 AN WASHER FLAT THIN	4
18	201110-QU	1/4-28 NYLOCK NUT	1
19	221170-QU	1/4-28 x 2 1/4 HEX C/S	1
20	330015	1AD ALIGNMENT TOOL ASSM	3
11,12	880901	1 AD AXLE PLATE W/BEARINGS BR	1
1-20	923614- 923620	1AD (14- 20) RTRO 20 STD HR BR	
1-4,5A, 6-20	923624- 923630	1AD (14- 20) RTRO 22 STD HR BR	
1-4,5B, 6-20	923634- 923640	1AD (14- 20) RTRO 24 STD HR BR	

# ONE-ARM DRIVE RETRO KIT (BREEZY 510)

(Effective Starting Serial Number BZ-511067)

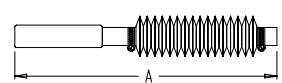


## MEASURING GUIDE

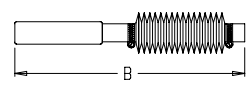


WHEEL SIZE	STD	SMALL
20"	16 1/2"	-
22"	18"	16 1/2"
24"	19 1/4"	18"

UNLOCKED (OPEN)



LOCKED (CLOSED)



111

CHAIR WIDTH	"A"	"B"
14"	10 3/4"	9"
15"	11 3/4"	10"
16"	12 3/4"	11"
17"	13 3/4"	12"
18"	14 3/4"	13"
19"	15 3/4"	14"
20"	16 3/4"	15"

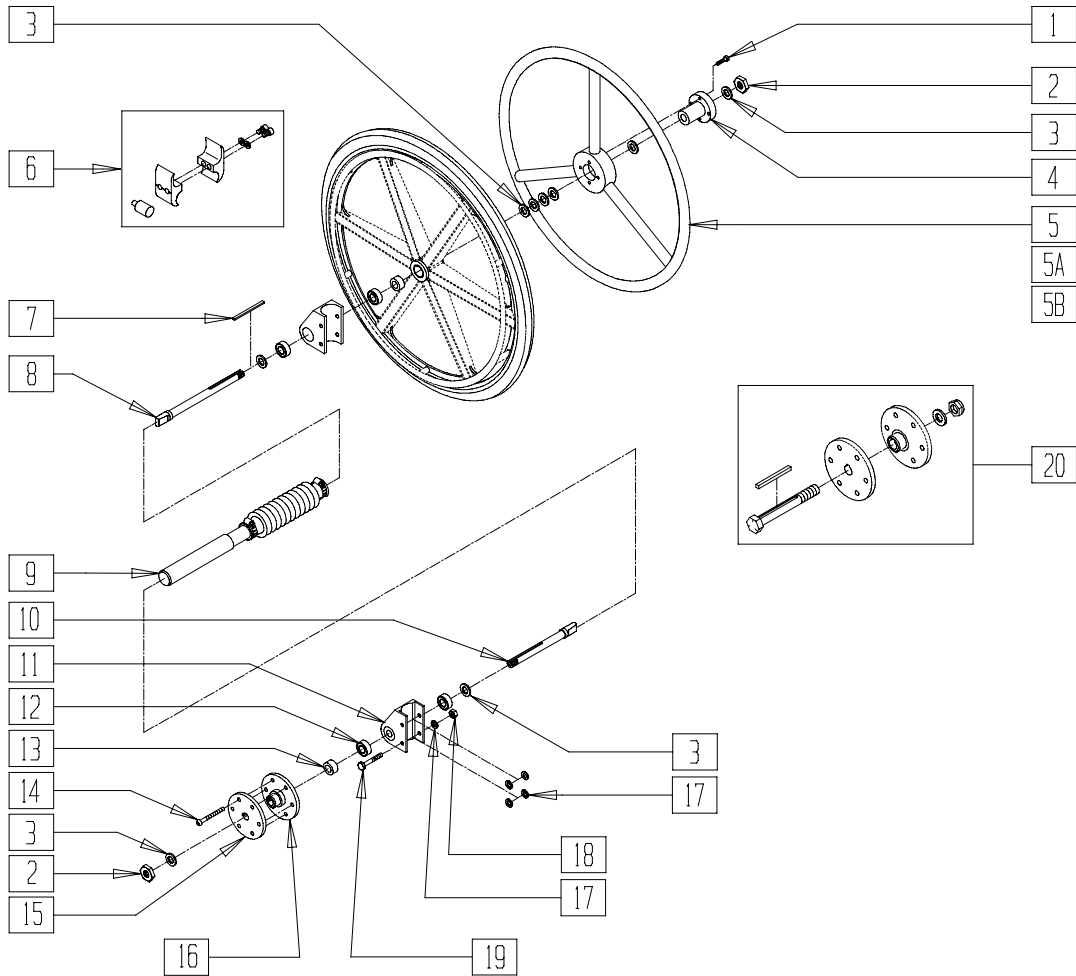
BR510X06D

ITEM	NUMBER	DESCRIPTION	QTY
1	226015	10-32 x 3/4 SOC C/S BLK	1
2	203100	1/2-20 NYLOCK NUT	2
3	264100	1/2 AN WASHER FLAT	8
4	500634	1 AD HUB CENTER	1
5	529801	1 AD HR ONLY 20" STD/24"SM	1
5A	529800	1 AD HR ONLY 22" STD/22"SM	1
5B	529802	1 AD HR ONLY 24" STD	1
6	880539	WHL LCK CLAMP ASSM CLR	1
7	341274	3/16 SQ x 1-1/2 KEY STL	1
8	481131	1 AD HANDRIM DRIVE SHAFT	1
10	481132	1 AD WHEEL DRIVE SHAFT	1
11	880831	1 AD AXLE PLATE W/BEARINGS	1
12	349500	1 1/8 x 1/2 BEARING	2
13	483057	MAG AXLE SPACER W/HOLE	1
14	226166	1/4-28 x 2 1/2 BH C/S BLK	1

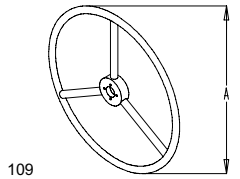
ITEM	NUMBER	DESCRIPTION	QTY
15	500630	1 AD WHEEL HUB W/O TAP	1
16	500631	WHEEL HUB 1 ARM DRIVE W/TAP	1
17	262110-QU	1/4 AN WASHER FLAT THIN	4
18	201110-QU	1/4-28 NYLOCK NUT	1
19	221170-QU	1/4-28 x 2 1/4 HEX C/S	4
20	330015	1AD ALIGNMENT TOOL ASSM	3
1-4,8-11, 13-20	881059	1 AD HDWR KIT BR	
1-20	923914- 923920	1AD (14 -20") RTRO 20 STD HR BR	
1-4,5A, 6-20	923924- 923930	1AD (14 -20") RTRO 22 STD HR BR	
1-4,5B, 6-20	923934- 923940	1AD 14 RTRO 24 STD HR BR	

# ONE-ARM DRIVE RETRO KIT (BREEZY 2)

(Breezy 2 Discontinued 5/98 - Parts only)

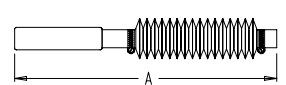


## MEASURING GUIDE

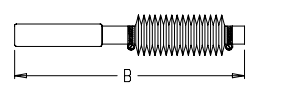


WHEEL SIZE	STD	SMALL
20"	16 1/2"	-
22"	18"	16 1/2"
24"	19 1/4"	18"

UNLOCKED (OPEN)



LOCKED (CLOSED)



111

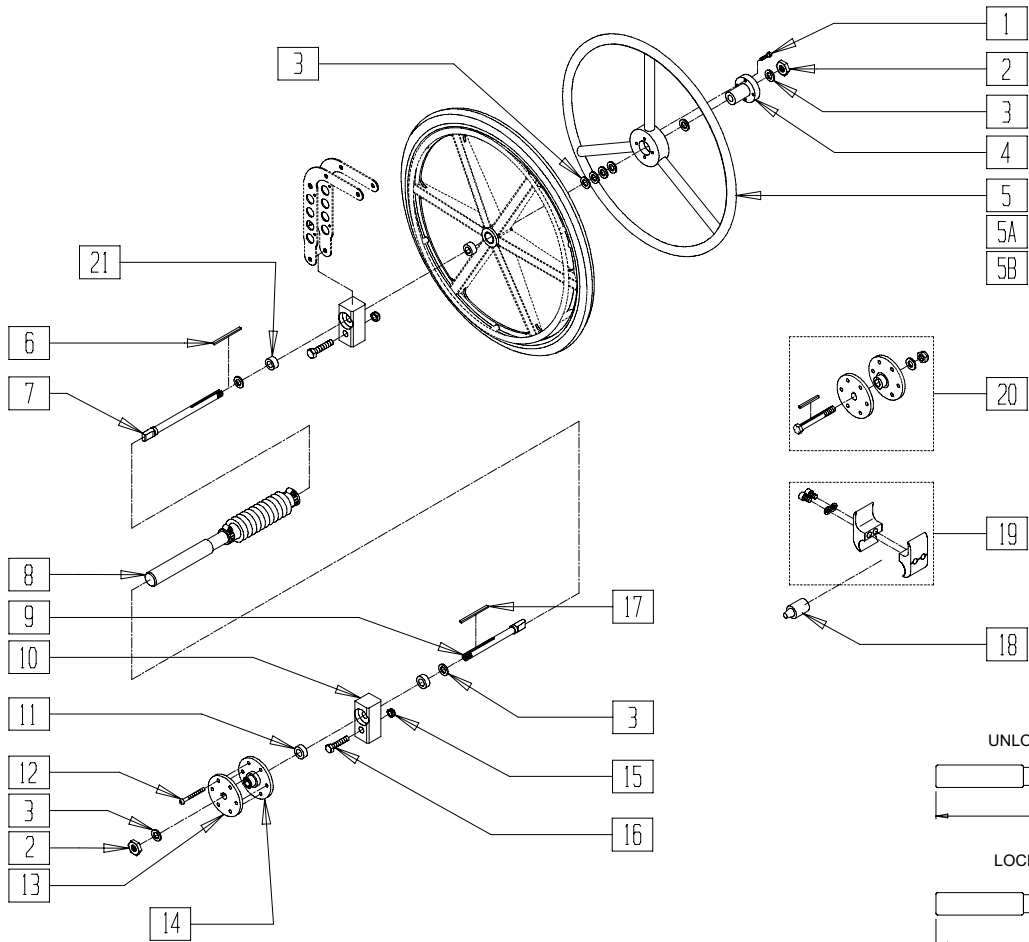
CHAIR WIDTH	"A"	"B"
14"	10 3/4"	9"
15"	11 3/4"	10"
16"	12 3/4"	11"
17"	13 3/4"	12"
18"	14 3/4"	13"
19"	15 3/4"	14"
20"	16 3/4"	15"

BR510X06E

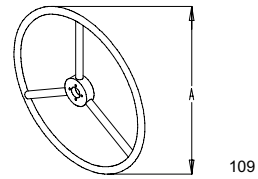
ITEM	NUMBER	DESCRIPTION	QTY
1	226015	10-32 x 3/4 SOC C/S BLK	1
2	203100	1/2-20 NYLOCK NUT	2
3	264100	1/2 AN WASHER FLAT	8
4	500634	1 AD HUB CENTER	1
5	529801	1 AD HR ONLY 20" STD/24"SM	1
5A	529800	1 AD HR ONLY 22" STD/22"SM	1
5B	529802	1 AD HR ONLY 24" STD	1
6	880539	WHL LCK CLAMP ASSM CLR	1
7	341274	3/16 SQ x 1-1/2 KEY STL	1
8	481131	1 AD HANDRIM DRIVE SHAFT	1
10	481132	1 AD WHEEL DRIVE SHAFT	1
11	880831	1 AD AXLE PLATE W/BEARINGS	1
12	349500	1 1/8 x 1/2 BEARING	2
13	483057	MAG AXLE SPACER W/HOLE	1

ITEM	NUMBER	DESCRIPTION	QTY
14	226166	1/4-28 x 2 1/2 BH C/S BLK	1
15	500630	1 AD WHEEL HUB W/O TAP	1
16	500631	WHEEL HUB 1 ARM DRIVE W/TAP	1
17	262110-QU	1/4 AN WASHER FLAT THIN	4
18	201110-QU	1/4-28 NYLOCK NUT	1
19	221170-QU	1/4-28 x 2 1/4 HEX C/S	1
20	330015	1AD ALIGNMENT TOOL ASSM	3
11,12	880901	1 AD AXLE PLATE W/BEARINGS BR	1
1-20	923674-923680	1AD (14- 20) RTRO 20 STD HR B2	
1-4,5A,6-20	923684-923690	1AD (14- 20) RTRO 22 STD HR B2	
1-4,5B,6-20	923714-923720	1AD (14- 20) RTRO 24 STD HR B2	

# ONE-ARM DRIVE RETRO KIT (QUICKIE CHAMELEON)

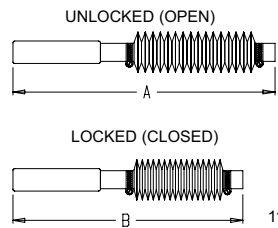


## MEASURING GUIDE



WHEEL SIZE	STD "A"	SMALL "A"
20"	16 1/2"	-
22"	18"	16 1/2"
24"	19 1/4"	18"

FRAME WIDTH	"A"	"B"
14"	10 3/4"	9"
15"	11 3/4"	10"
16"	12 3/4"	11"
17"	13 3/4"	12"
18"	14 3/4"	13"
19"	15 3/4"	14"
20"	16 3/4"	15"



IRIS0X17

ITEM	NUMBER	DESCRIPTION	QTY
1	226015	10-32 x 3/4 SOC C/S BLK	4
2	203100	1/2-20 NYLOCK NUT	2
3	264100	1/2 AN WASHER FLAT	9
4	500634	1 AD HUB CENTER	1
5	529801	1 AD HR ONLY 20"STD/22"SM	1
5A	529800	1 AD HR ONLY 22"STD/24"SM	1
5B	529802	1 AD HR ONLY 24" STD	1
6	341274	3/16 SQ x 1-1/2 KEY STL	1
7	481670	1 AD HANDRIM DRIVE SHAFT	1
8	880813-880819	1 AD SHAFT ASSM (14" - 20")	1
9	481671	1 AD WHEEL DRIVE SHAFT	1
10	500780	1 ARM DRIVE BEARING BLOCK	2
11	483320	WHEEL SPACER CGTS	2
12	226166	1/4-28 x 2 1/2 BH C/S BLK	6
13	500630	1 AD WHEEL HUB W/O TAP	1
14	500631	WHEEL HUB 1 ARM DRIVE W/TAP	1
15	210010	NUT 5/8-11 NYLOC JAM NUT	2
16	230016	BOLT 5/8-11 HEX HEAD	2
17	341277	3/16" SQ x 2-3/8" KEY	1
18	482030	1 AD DRIVE RECEIVER	2
19	880594	WHL LCK 1AD CLAMP ASSM BLK	2
20	330015	1AD ALIGNMENT TOOL ASSM	1
21	349500	1 1/8 x 1/2 BEARING	4

ITEM	NUMBER	DESCRIPTION	QTY
10,21	888862	1AD AXLE BLOCK W/BEARINGS CHAM	
2,3,6,7,9-17,21	888863	1AD HDWR KIT CHAM	
1-21	888833	B4 14" 1AD 20"STD/22"SM HR	
	888836	B4 15" 1AD 20" STD/22"SM HR	
	888839	B4 16" 1AD 20" STD/22"SM HR	
	888842	B4 17" 1AD 20" STD/22"SM HR	
	888845	B4/B5 18" 1AD 20" STD/22"SM HR	
	888848	B4/B5 19" 1AD 20" STD/22"SM HR	
	888861	B4/B5 20" 1AD 20" STD/22"SM HR	
	1-4,5A,6-21	888831	B4 14" 1AD 22" STD/24"SM HR
888834		B4 15" 1AD 22" STD/24"SM HR	
888837		B4 16" 1AD 22" STD/24"SM HR	
888840		B4 17" 1AD 22" STD/24"SM HR	
888843		B4/B5 18" 1AD 22"STD/24"SM HR	
888846		B4/B5 19" 1AD 22"STD/24"SM HR	
888849		B4/B5 20" 1AD 22"STD/24"SM HR	
1-4,5B,6-21		888832	B4 14" 1AD 24" STD HR
	888835	B4 15" 1AD 24" STD HR	
	888838	B4 16" 1AD 24" STD HR	
	888841	B4 17" 1AD 24" STD HR	
	888844	B4/B5 18" 1AD 24" STD HR	
	888847	B4/B5 19" 1AD 24" STD HR	
	888860	B4/B5 20" 1AD 24" STD HR	