



X'CAPE TRANSIT INSTALLATION (WC-19)



Please read these instructions carefully before beginning the installation. Failure to understand and follow installation instructions may result in injury to installer and/or end user and may void the warranty. For more information on WC-19 Transit components, or if you have any questions, call Sunrise Medical Technical support at 800-333-4000 or go to www.sunrisemedical.com.

Parts included in this Kit:

- | | |
|---------------------------------|------------------------------|
| 1. 4x M8 1.25x14 BH (rear) | 8. 2x Pelvic belt Hardware |
| 2. 4x 1/4-28 BH Capscrew (rear) | 9. 4x 1/4-28 SHCS (Front) |
| 3. 16x 1/4 flat washer (rear) | 10. 2x Front Transit Bracket |
| 4. 8x 1/4-28 Nylock nut (rear) | 11. 2x Transit Insert(Front) |
| 5. 2x Rear Transit loop | 12. 4x 1/4-28 Automation nut |
| 6. 2x Transit Frame Saddle Std | 13. 4x 1/4 AN washer |
| 7. 2x Wave Washer | 14. 2x Transit Sticker |

Tools needed:

- 5mm hex key
- 5/32" hex key, 3/16" hex key
- 7/16" open end wrench
- Torque wrench and hex bits

A. REAR TRANSIT BRACKET INSTALLATION

I. Pre-installation:

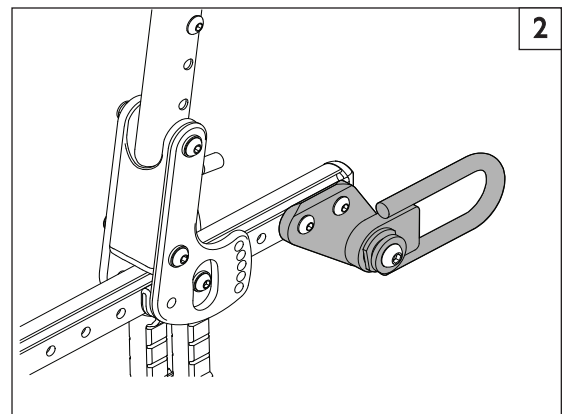
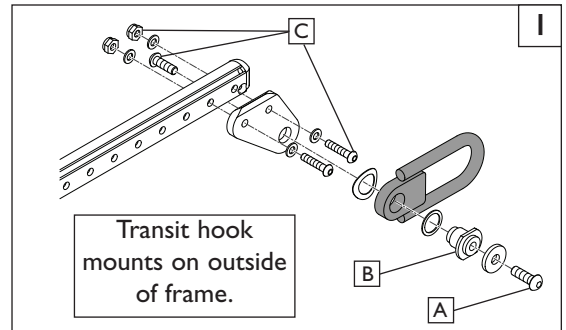
- Place your Zippie Wheelchair on a Table or Flat work surface for best installation results.
- Remove the wheels, armrests, and any other obstruction to gain access to the frame holes that will secure the Rear Transit Bracket.

2. Install the Zippie Rear Transit Brackets 1 2

- Assemble the brackets and hardware for both sides of the chair as shown in (figure 1).

NOTE-DO NOT use the hardware screw (A) unless you intend to install a WC-19 approved Lap Belt. It has a patch on the threads that will lock it into place once it is tightened.

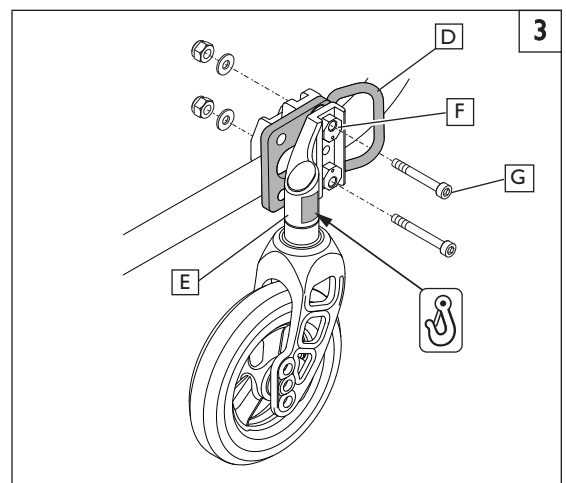
- If you do have a Pelvic Belt, mount it between the between Screw(A) and pivot (B), making sure the washer and button head screw are installed as shown.
- The rear transit hooks should have the transit notification stickers in the correct location from the manufacturer.
- Tighten the frame mounting hardware (C) to 120 in-lb, and Lap belt hardware (A,B) to 144 in-lb.



B. FRONT TRANSIT BRACKET INSTALLATION

I. Assemble and Install the Front Transit Bracket 3

- Assemble the brackets and hardware for both sides of the chair as shown in figure 3.
- Assemble the transit hook (D), and caster barrel (E) with eccentric washers (F) and screws(G) and attach the nylock nuts and washers, to hold it all in place.
- Finish by tightening the 1/4-28 socket head screws (G) to a maximum torque of 144 in-lb.
- Place the Transit notification stickers on the caster barrel (E) as shown.



C. CHECKOUT 4**I. Double-check Orientation and Torque on all Hardware.**

- a. Check that front and rear transit brackets have been installed evenly from side to side as shown in (Figure 4).
- b. Using a torque wrench and socket wrench with a 3/16" and 7/32" hex drive, check front and rear screws for correct torque.
- c. **Make sure Transit stickers are placed in the correct areas noted in Figure 3**

DEALER/TECHNICIAN WARNING**⚠ WARNING**

Attention dealers and qualified technicians, do not operate or service this wheelchair without first reading the owners manual. If you do not understand the instructions and warnings in the owners manual please contact the Zippie Technical Service Department before operating and/or servicing the Zippie wheelchair. Failure to do so may result in damage and/or injury.

IMPORTANT– Please refer to the owner's manual and WC-19

Transit supplement (included with this Kit) for additional warnings and information. If you do not have a copy, you can find a copy on www.sunrisemedical.com and navigating to the literature page for this product.

