



### ATTENTION:

The Quickie® IRIS armrests ship in the downward position. Be sure to raise and adjust the armrests before use.

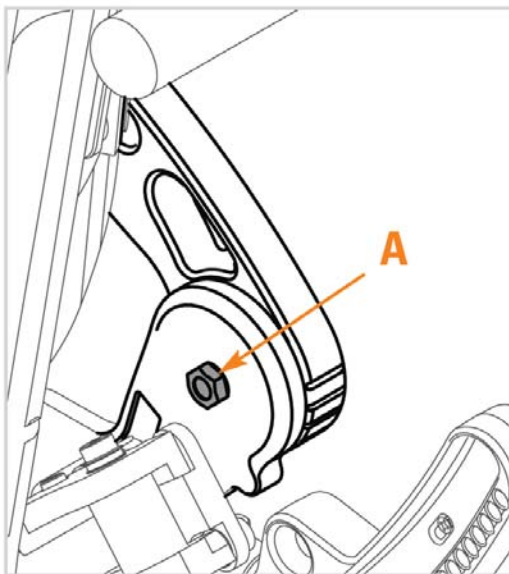
## Raising the Armrests REFER TO ILLUSTRATIONS

1. Using a 13mm open end wrench, **loosen the nut (A)** about 2 turns.
2. Using a 5mm hex key, **loosen the button head screw (B)** about 2 full turns, or until the teeth on the pivot plate become disengaged.
3. **Rotate the armrest up** to a comfortable height and tighten the hardware (B first, then A).

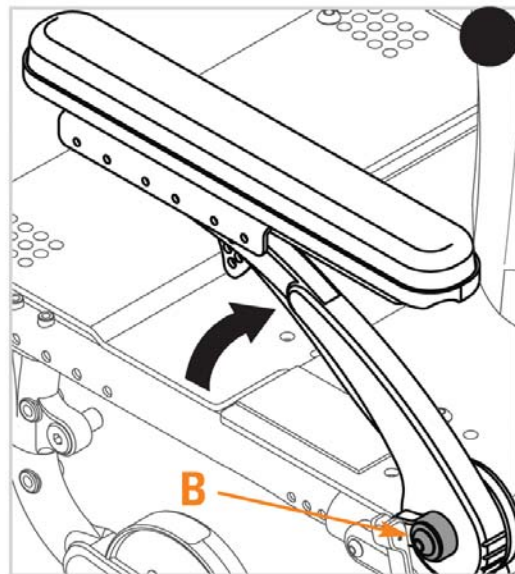
NOTE– You may need to level the armrest. Refer to your Owner's Manual Section I – "Cantilever Locking Flip-Back Armrests".

Repeat these steps on the opposite armrest. In most cases, both sides should be adjusted equally.

MK-100113 Rev. A



INSIDE view of armrest



OUTSIDE view of armrest