



INSTALLATION FREESTYLE™ BACKREST SYSTEM



Please read these instructions carefully before beginning the installation. Failure to understand and follow installation instructions may result in injury to installer and/or end user and may void the warranty.

If you have any questions call Sunrise Medical Technical Support at 800-333-4000

Parts included in this Kit (Fig 1)

- | | |
|-----------------------------------|--------------------------------------|
| 1. 1 each Left and Right backpost | 5. 2each backrest bracket saddle |
| 2. 2each tube end caps | 6. 2each Aluminum saddle |
| 3. 4each nylock nut and washer | 7. 4 each Capscrew |
| 4. 2each adjuster stop | 8. 2each spacer- Odd widths 15,17,19 |

Tools needed:

- 4mm, 8mm hex key
- 10mm open end wrench
- Torque wrench w/standard hex bits.

This instruction will take you through the step by step process of installing a Freestyle Backrest on your Quickie rigid frame chair.

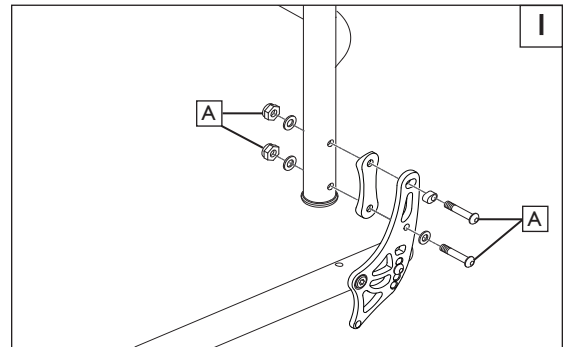
A. PRE-INSTALLATION

- Remove the armrest and receiver if it is in the way.
- Place the chair on a flat work surface or workbench if possible.
- Mark or record the adjustment holes for the:
 - Back angle setting
 - Armrest location

NOTE – It is necessary to mark or record the basic fit characteristics of the chair so there is a reference for correct re-assembly.

B. REMOVE THE EXISTING BACKREST 1

- Using a 4mm hex key and a 10mm open end wrench, remove the 2 sets of hardware (A) from both sides of the chair.
- Set aside the hardware, some of which will be used for re-assembly.



C. INSTALLING THE NEW BACK ASSEMBLY 2 3

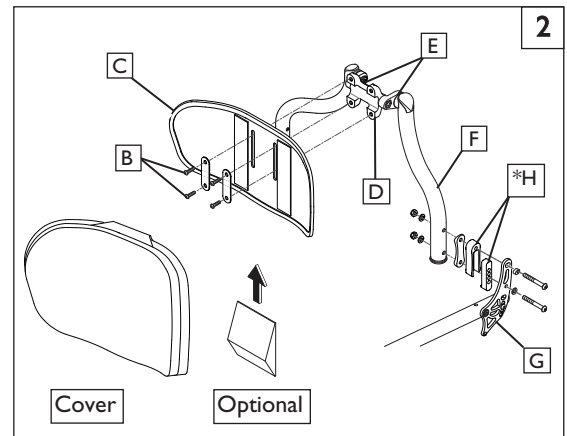
NOTE - Although the Freestyle backframe and back shell will ship pre-assembled, you may adjust the height of the shell depending on user needs.

1. Installation (Odd or even backrest widths)

- After determining the correct height of the backshell for comfort and support, use a 4mm hex key, and insert/tighten the screws (B) to attach the backshell (C) to the adjustment bracket (D) and tighten the hardware.
- Using a 4mm hex key, Attach backrest frame (F) to the angle-adjustable back bracket (G) using the hardware shown.

***NOTE – For odd sized back widths (15”, 17”, 19”) use the 2 spacers (*H) that are included in the Kit**

- Using a 4mm hex key and 10mm wrench, tighten the back bracket screws and nuts to a torque of (63 in-lbs).
- Use the same procedure for the other back frame.



2. Angle Adjustment (2 options) 3 4

- Using an 8mm hex key, loosen the two screws (E) and rotate the backshell to the desired position.
- Tighten the screws (E) to 200 in-lbs to lock in the adjustment.
- Using an 8mm hex key, loosen the screw (H) and rotate the backrest to the desired position.
- Tighten the screw (I) to 200 in-lbs lock in the adjustment.



D. CHECKOUT

1. Double-check orientation and torque on all hardware.

- Check that all components have been installed evenly.
- Using a torque wrench, check all hardware for correct torque.
- Secure the padding/cover.
- Twice per year, check for correct torque on Screws (E)&(I)



Sunrise Medical • 2842 Business Park Ave. • Fresno, CA 93727 • USA

In Canada (800) 263-3390



Customer Service: 800.333.4000

www.SunriseMedical.com

©2016 Sunrise Medical (US) LLC
I.16 MK-100202 Rev.B